



US00D589533S

(12) **United States Design Patent**
Anderson et al.

(10) **Patent No.:** **US D589,533 S**
(45) **Date of Patent:** **** Mar. 31, 2009**

(54) **AIR PUMP HOUSING**

FOREIGN PATENT DOCUMENTS

(75) Inventors: **Norman Anderson**, Brooklyn, NY (US);
Ryan Rutherford, Belleville, NJ (US);
Jonathan Willinger, Tenafly, NJ (US)

EP	686679	12/1995
EP	708247	4/1996
EP	1304480	4/2003
WO	1993/14628	8/1993
WO	2001010202	2/2001
WO	2005088126	9/2005

(73) Assignee: **JW Pet Company, Inc.**, Teterboro, NJ (US)

Primary Examiner—R. Seifert
(74) *Attorney, Agent, or Firm*—Katten Muchin Rosenman LLP

(**) Term: **14 Years**

(21) Appl. No.: **29/283,129**

(22) Filed: **Aug. 7, 2007**

(57) **CLAIM**

(51) **LOC (9) Cl.** **15-02**

The ornamental design for an air pump housing, as shown and described.

(52) **U.S. Cl.** **D15/8**

(58) **Field of Classification Search** D15/7-9;
D23/231; 417/410.1, 359, 415-416, 234,
417/321, 265, 405

DESCRIPTION

See application file for complete search history.

FIG. 1 is a perspective view of an air pump housing showing my new design;

(56) **References Cited**

U.S. PATENT DOCUMENTS

3,645,358	A	2/1972	Kubota et al.
3,750,840	A	8/1973	Holme
3,785,493	A	1/1974	Harding
3,785,494	A	1/1974	Sama
4,008,854	A	2/1977	Van Der Lely
4,014,052	A	3/1977	Wolos
4,312,752	A	1/1982	Malik
4,608,000	A	8/1986	Tominaga
4,622,991	A	11/1986	Tunze
4,627,797	A	12/1986	Rill
4,722,670	A	2/1988	Zweifel
4,735,715	A	4/1988	Willinger
4,762,470	A	8/1988	Wang
4,764,311	A	8/1988	Klaes
4,773,765	A	9/1988	Erskine
4,792,293	A	12/1988	Wang

FIG. 2 is a front view thereof;

FIG. 3 is a rear view thereof;

FIG. 4 is a left-side view thereof;

FIG. 5 is a right-side view thereof;

FIG. 6 is a top view thereof;

FIG. 7 is a bottom view thereof;

FIG. 8 is a perspective view of an air pump housing showing a second embodiment of my new design;

FIG. 9 is a front view of FIG. 8;

FIG. 10 is a rear view of FIG. 8;

FIG. 11 is a left-side view of FIG. 8;

FIG. 12 is a right-side view of FIG. 8;

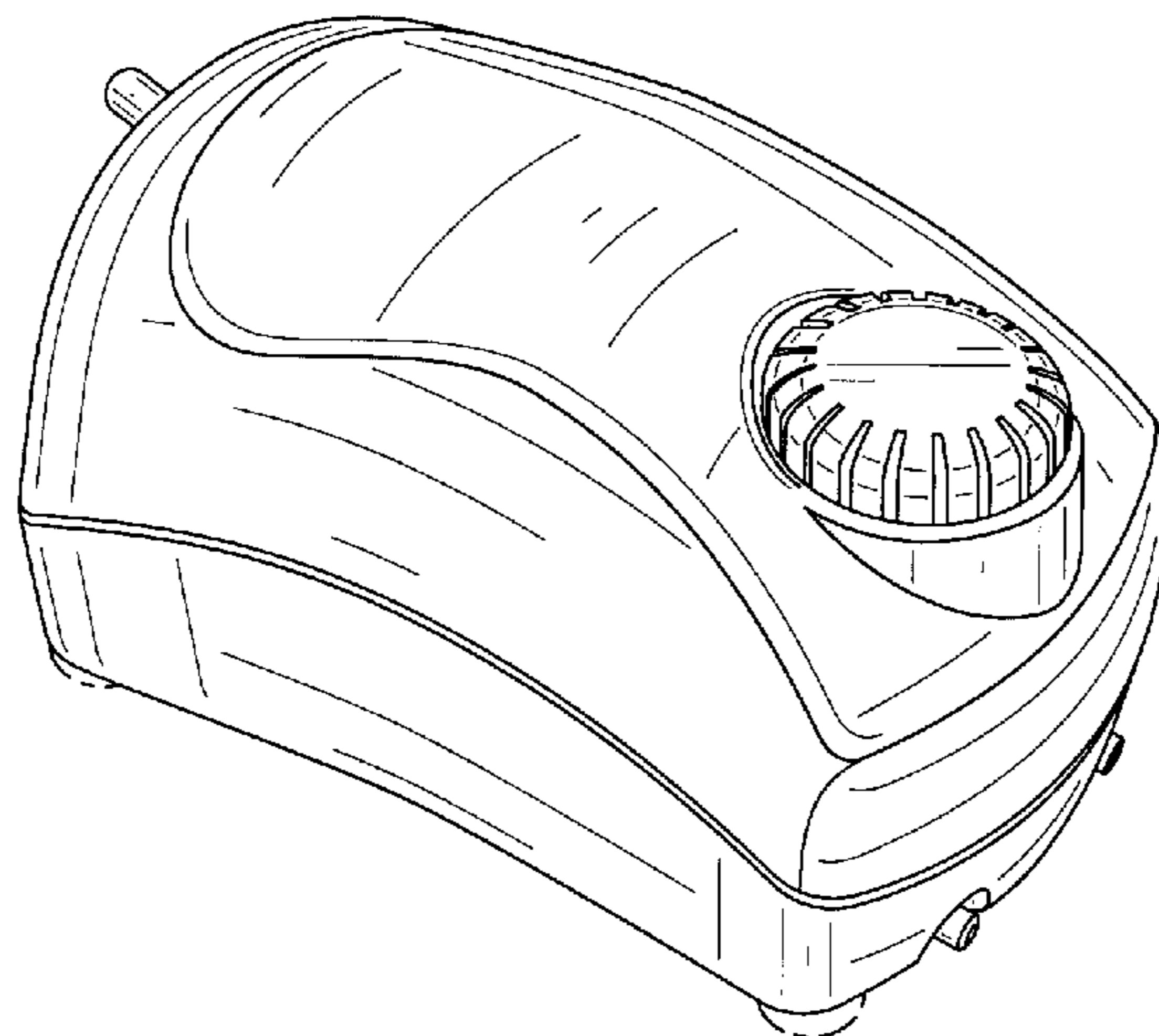
FIG. 13 is a top view of FIG. 8; and,

FIG. 14 is a bottom view of FIG. 8.

The broken lines are for purposes of illustration only and do not form a part of the claimed design.

(Continued)

1 Claim, 12 Drawing Sheets



US D589,533 S

Page 2

U.S. PATENT DOCUMENTS

4,842,727 A	6/1989	Willinger		5,970,999 A	10/1999	Greenia	
D306,449 S *	3/1990	Shannon	D15/8	D426,243 S *	6/2000	Wang	D15/8
4,985,181 A	1/1991	Strada et al.		D426,554 S	6/2000	Wang	
5,009,579 A	4/1991	Grant		6,132,180 A	10/2000	Kojima	
5,025,185 A	6/1991	Reinoehl		6,164,932 A	12/2000	Tominaga et al.	
5,039,286 A	8/1991	Point et al.		D436,361 S *	1/2001	Yu-Chin	D15/8
5,052,904 A	10/1991	Itakura		6,168,392 B1	1/2001	Takano	
5,066,204 A	11/1991	Point et al.		6,187,179 B1	2/2001	Mayer	
5,131,821 A	7/1992	Marioni et al.		6,257,842 B1	7/2001	Kawasaki et al.	
5,133,647 A	7/1992	Herron		6,312,411 B1	11/2001	Kanai	
5,137,432 A	8/1992	Tsai		6,340,069 B1	1/2002	Wang	
5,137,433 A	8/1992	Willinger et al.		6,364,637 B1	2/2002	Lee et al.	
5,188,516 A	2/1993	Huang		D455,155 S	4/2002	Wang	
5,282,727 A	2/1994	Willinger et al.		6,461,122 B1	10/2002	Huang	
5,290,157 A	3/1994	Willinger et al.		6,485,270 B2	11/2002	Wang	
5,294,335 A	3/1994	Chiang		6,508,635 B2	1/2003	Kueon	
5,360,323 A	11/1994	Hsieh		6,547,535 B2	4/2003	Kueon	
5,367,985 A	11/1994	Wilkins		6,551,078 B2	4/2003	Huang	
5,380,160 A	1/1995	Chen		6,551,171 B1	4/2003	Hass	
5,462,415 A	10/1995	Chen		6,558,137 B2	5/2003	Tomell	
5,480,590 A	1/1996	Neshat et al.		6,565,330 B1	5/2003	Bresolin	
5,494,415 A	2/1996	Morita		6,568,425 B2	5/2003	Gergek	
5,554,012 A	9/1996	Itakura		6,626,648 B1	9/2003	Kim	
5,563,382 A	10/1996	Choyce		6,692,225 B2	2/2004	Lin	
5,641,399 A	6/1997	Rawlins		6,692,238 B2	2/2004	Myung	
5,711,656 A	1/1998	Tsai		6,719,525 B2	4/2004	Chen	
5,714,814 A	2/1998	Marioni		6,746,219 B1	6/2004	Chen	
5,716,199 A	2/1998	Shan-Chieh		6,796,776 B2	9/2004	Jolley	
5,728,293 A	3/1998	Guoli		6,857,392 B1	2/2005	Shyu	
5,730,587 A	3/1998	Snyder et al.		6,942,469 B2	9/2005	Seale	
5,733,106 A	3/1998	Lee		2004/0062665 A1	4/2004	McGee	
5,750,023 A	5/1998	Pettenon		2004/0191084 A1	9/2004	Wang et al.	
D395,318 S *	6/1998	Wang	D15/8	2005/0076851 A1	4/2005	Allis	
D400,891 S *	11/1998	Mermillod	D15/8	2005/0238520 A1	10/2005	Gilliam	
5,957,085 A	9/1999	Youngstrom et al.		2006/0094335 A1	5/2006	Fildan	

* cited by examiner

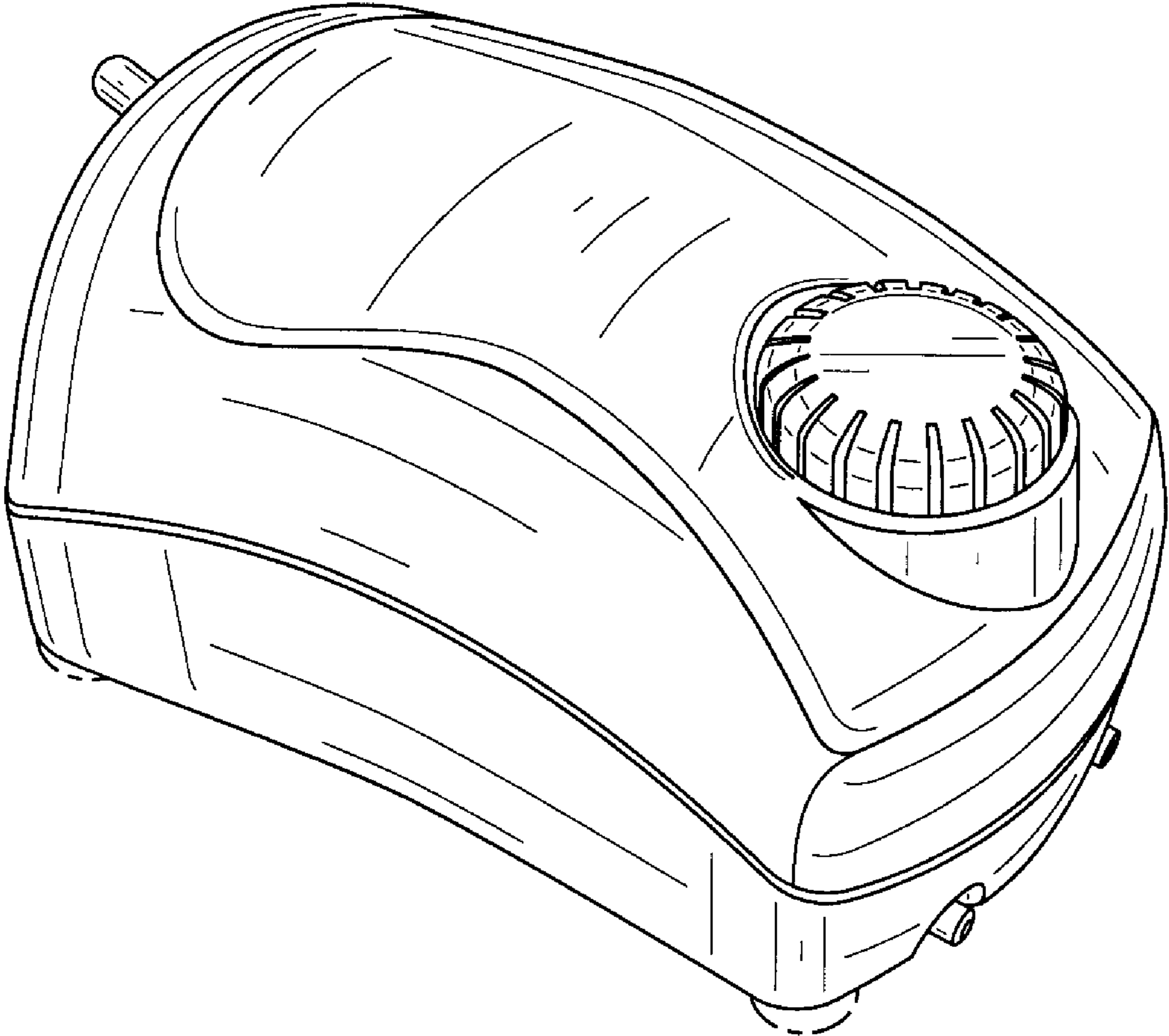


FIG. 1

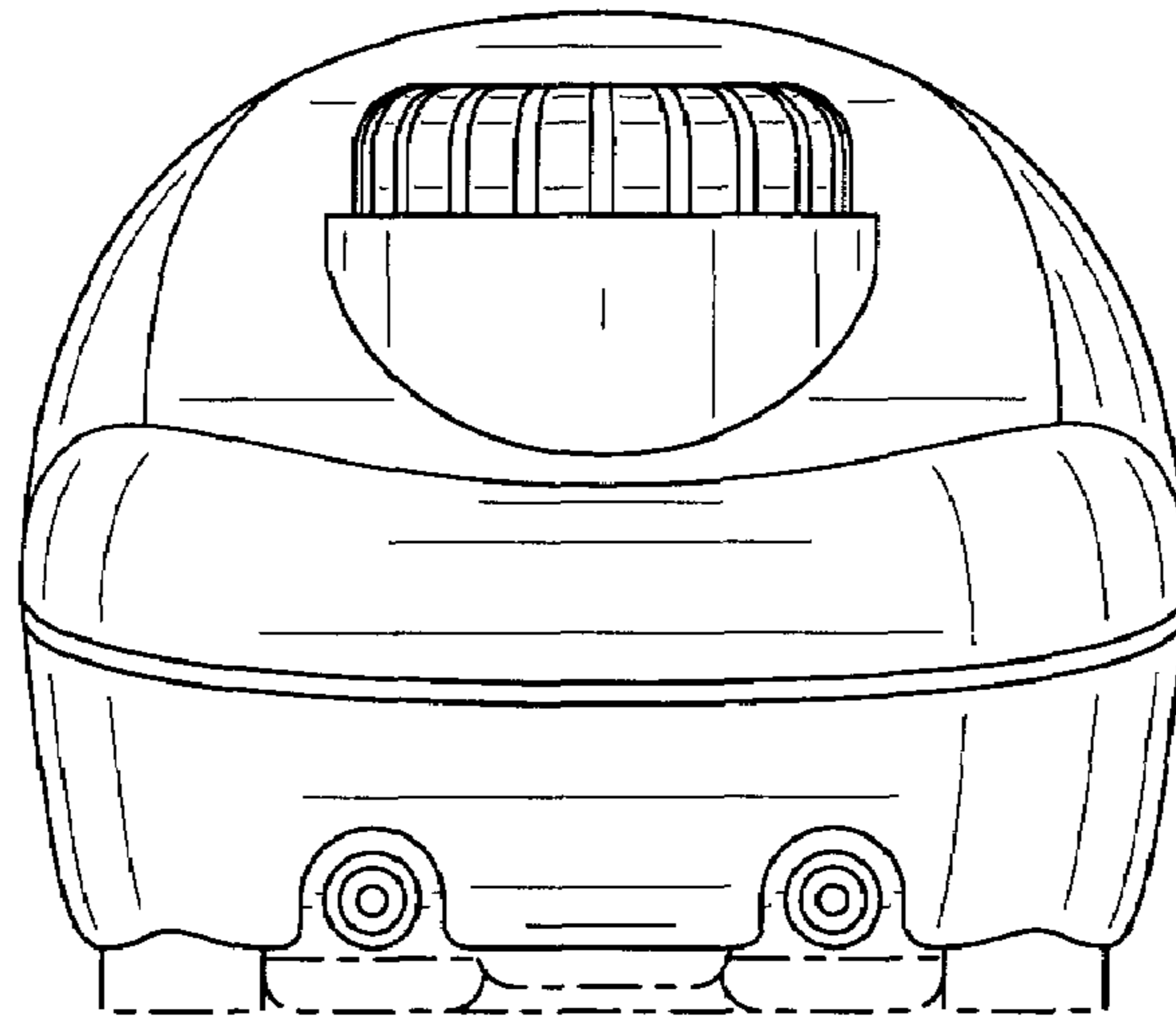


FIG. 2

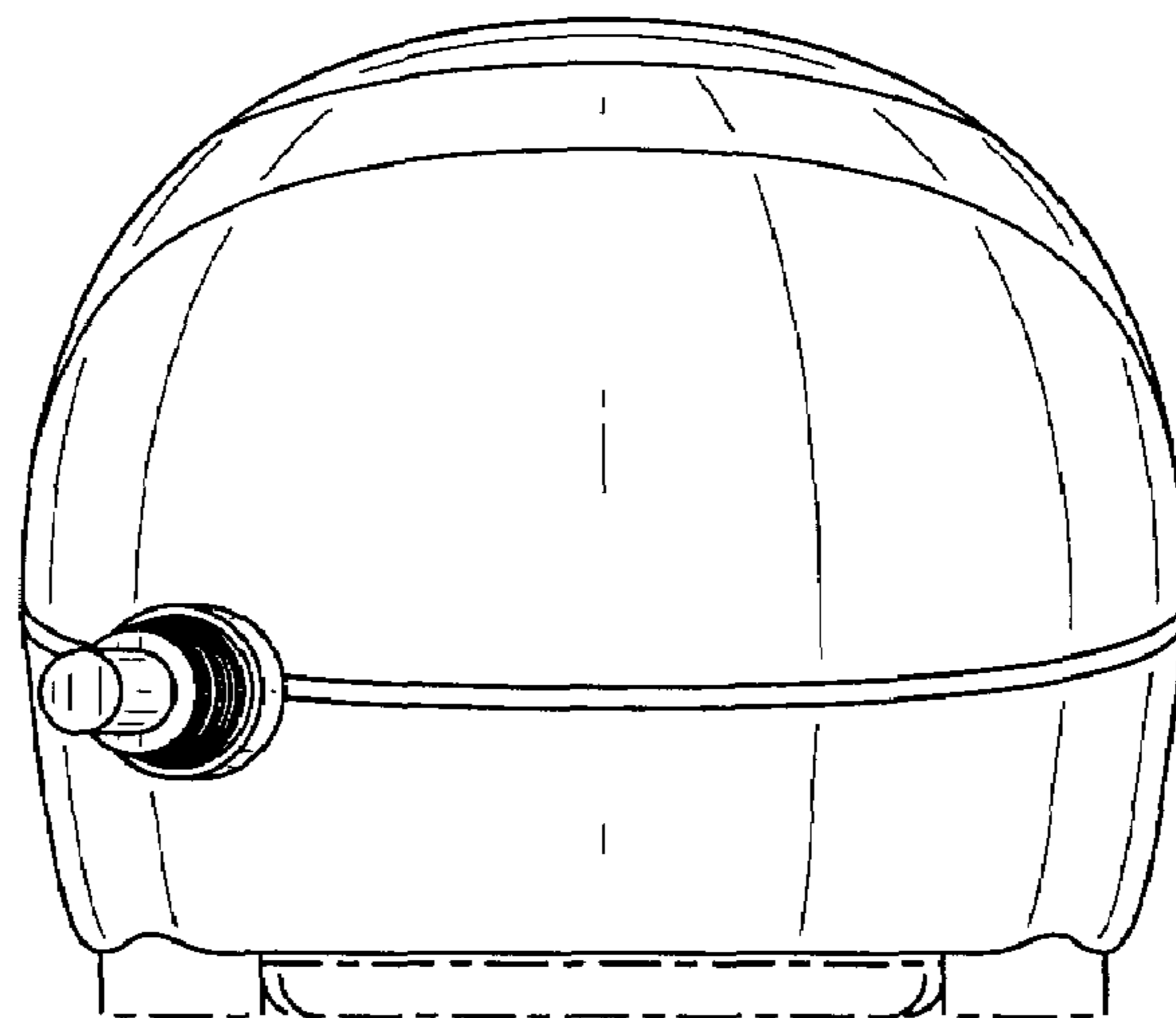


FIG. 3

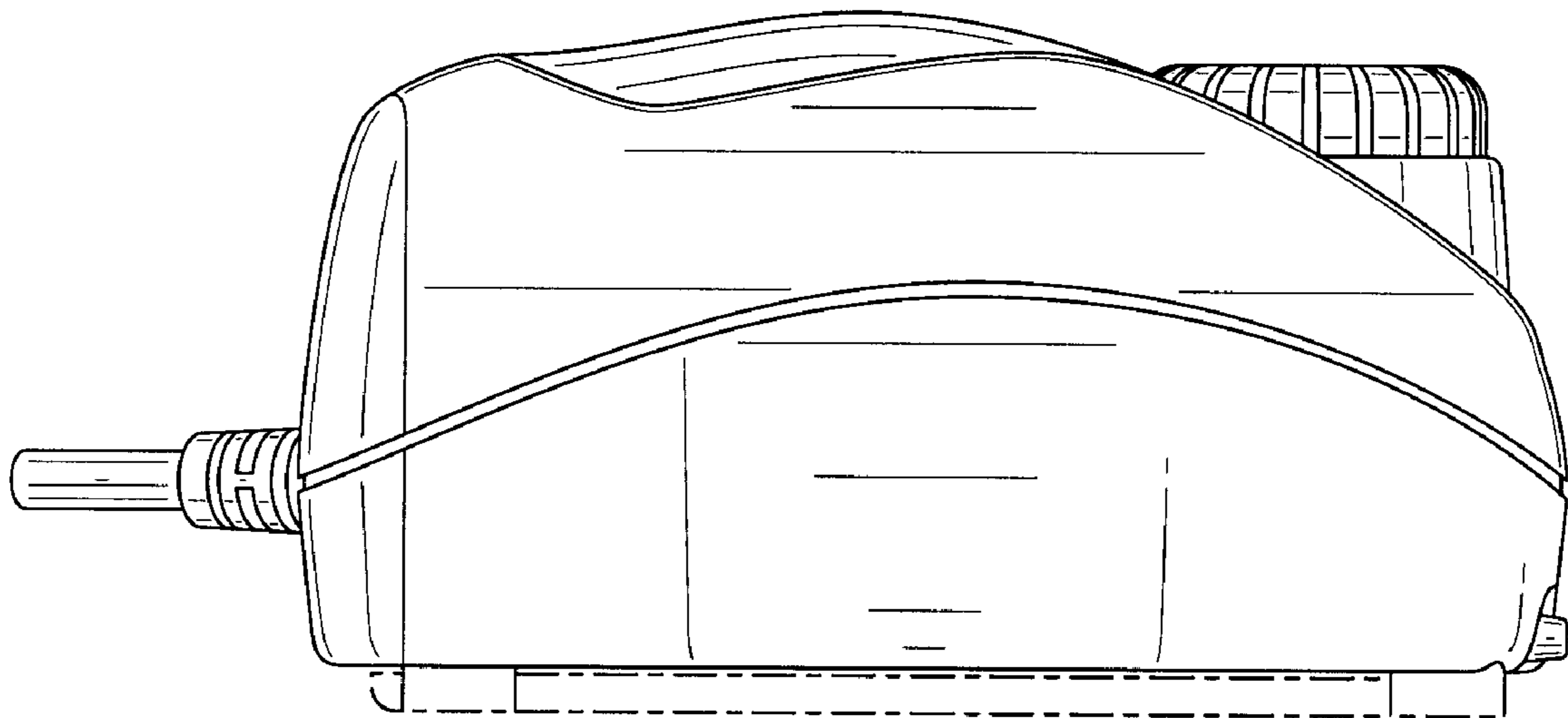


FIG. 4

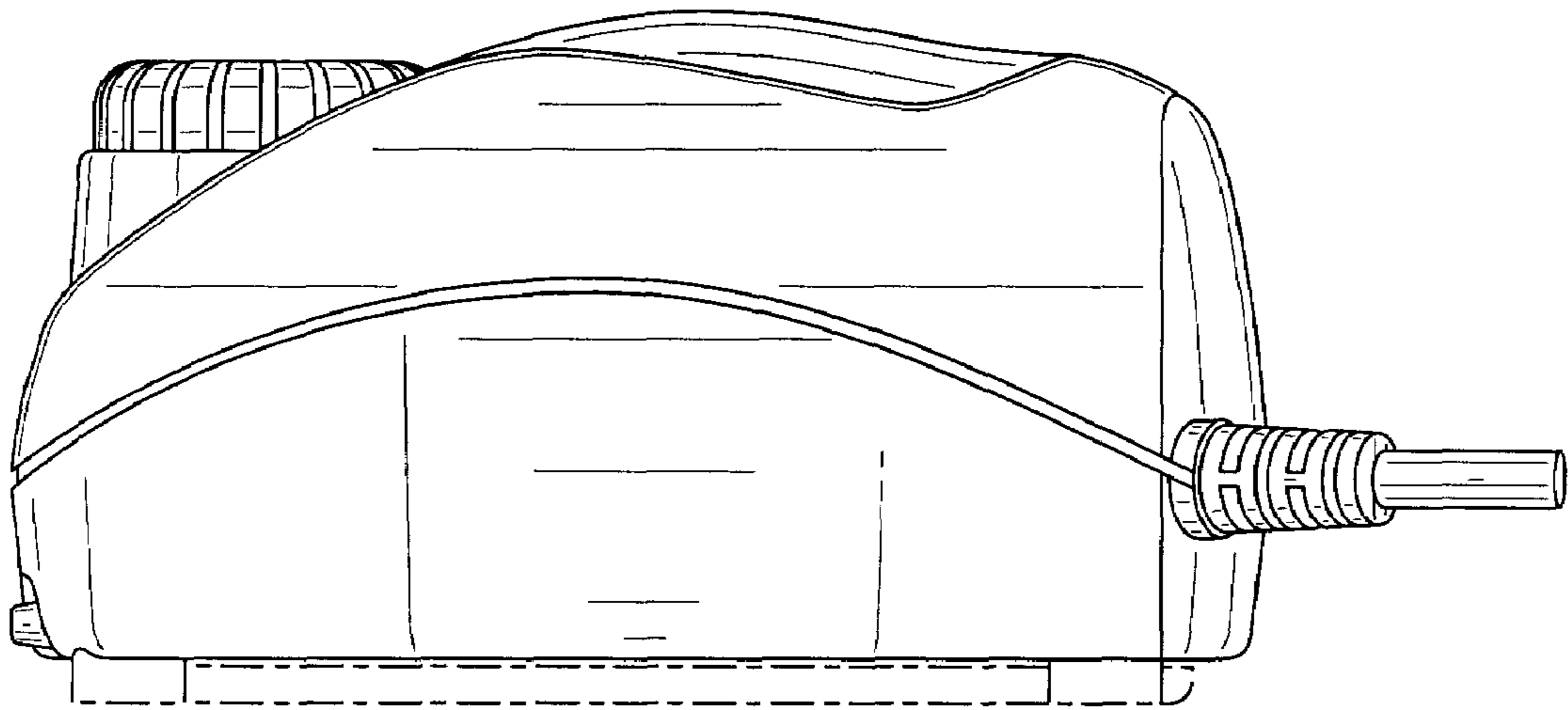


FIG. 5

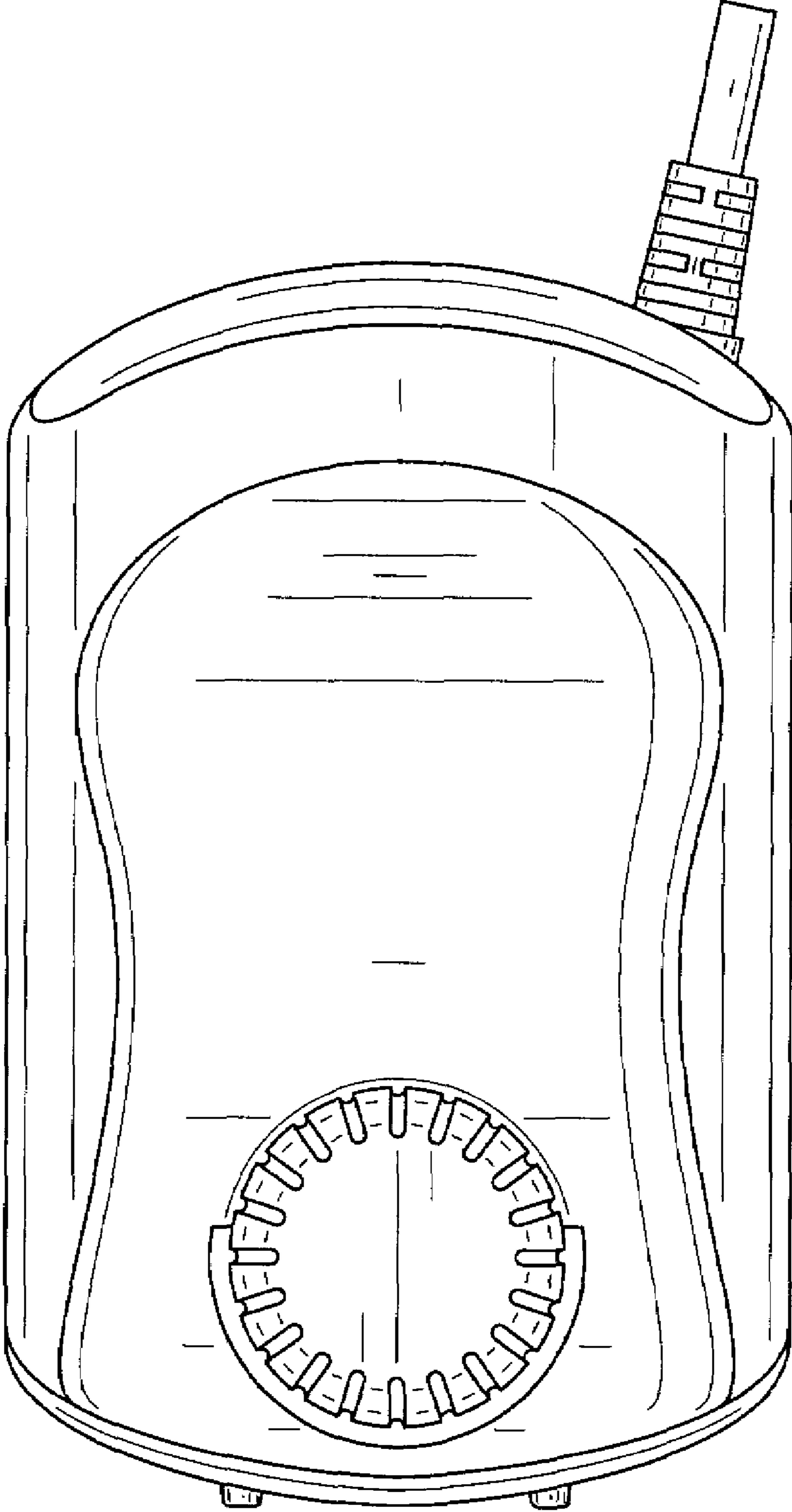


FIG. 6

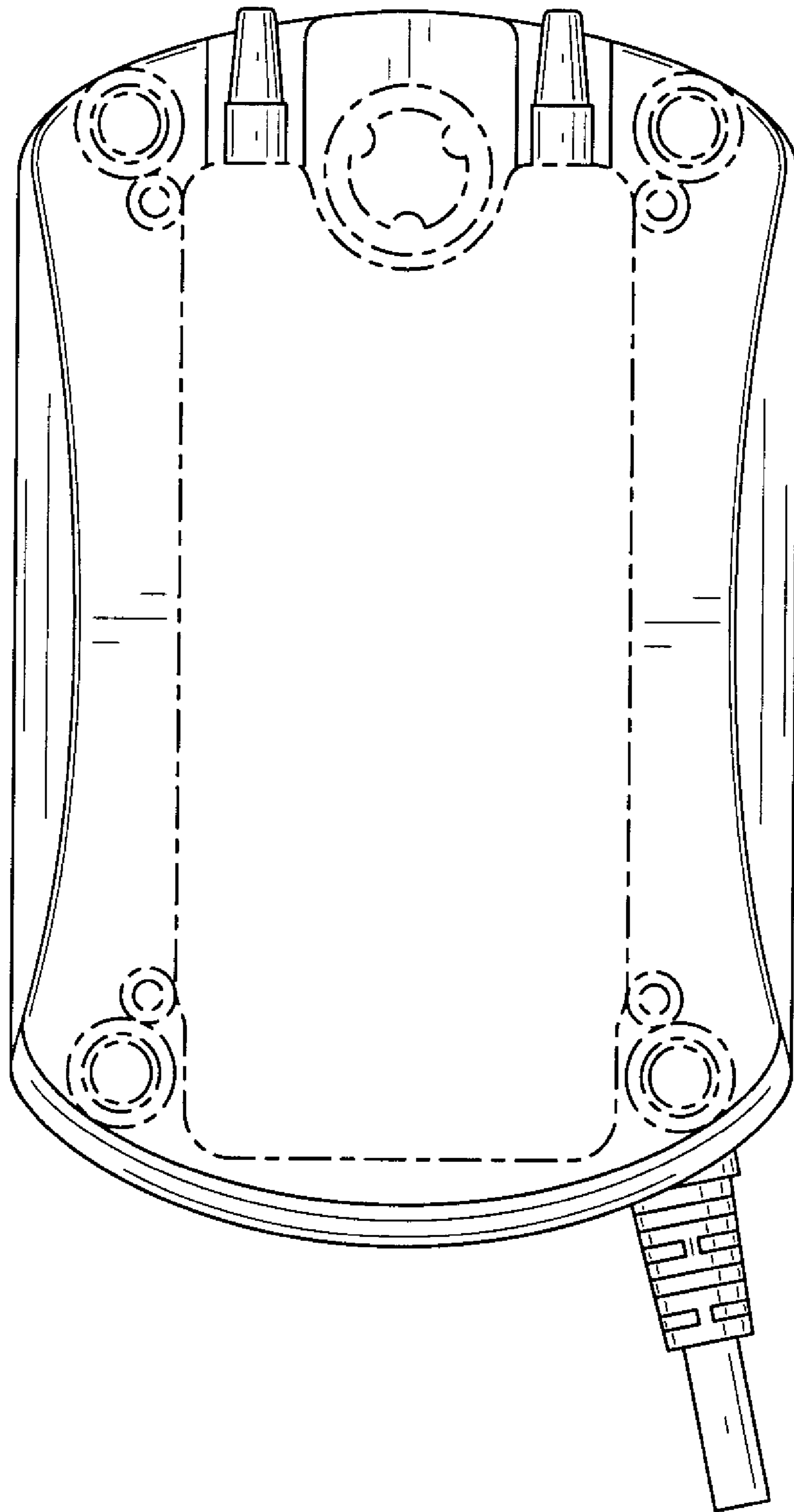


FIG. 7

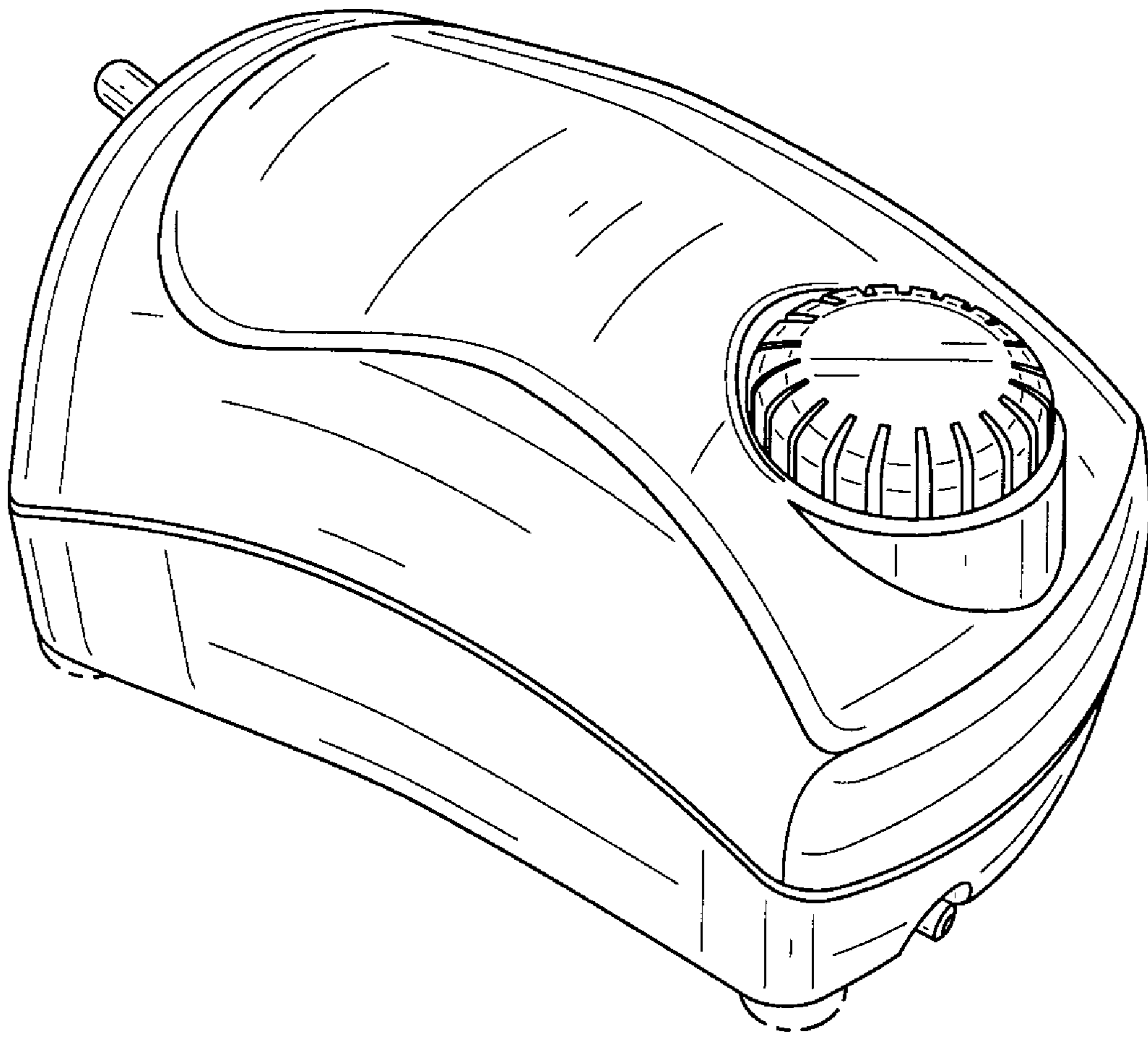


FIG. 8

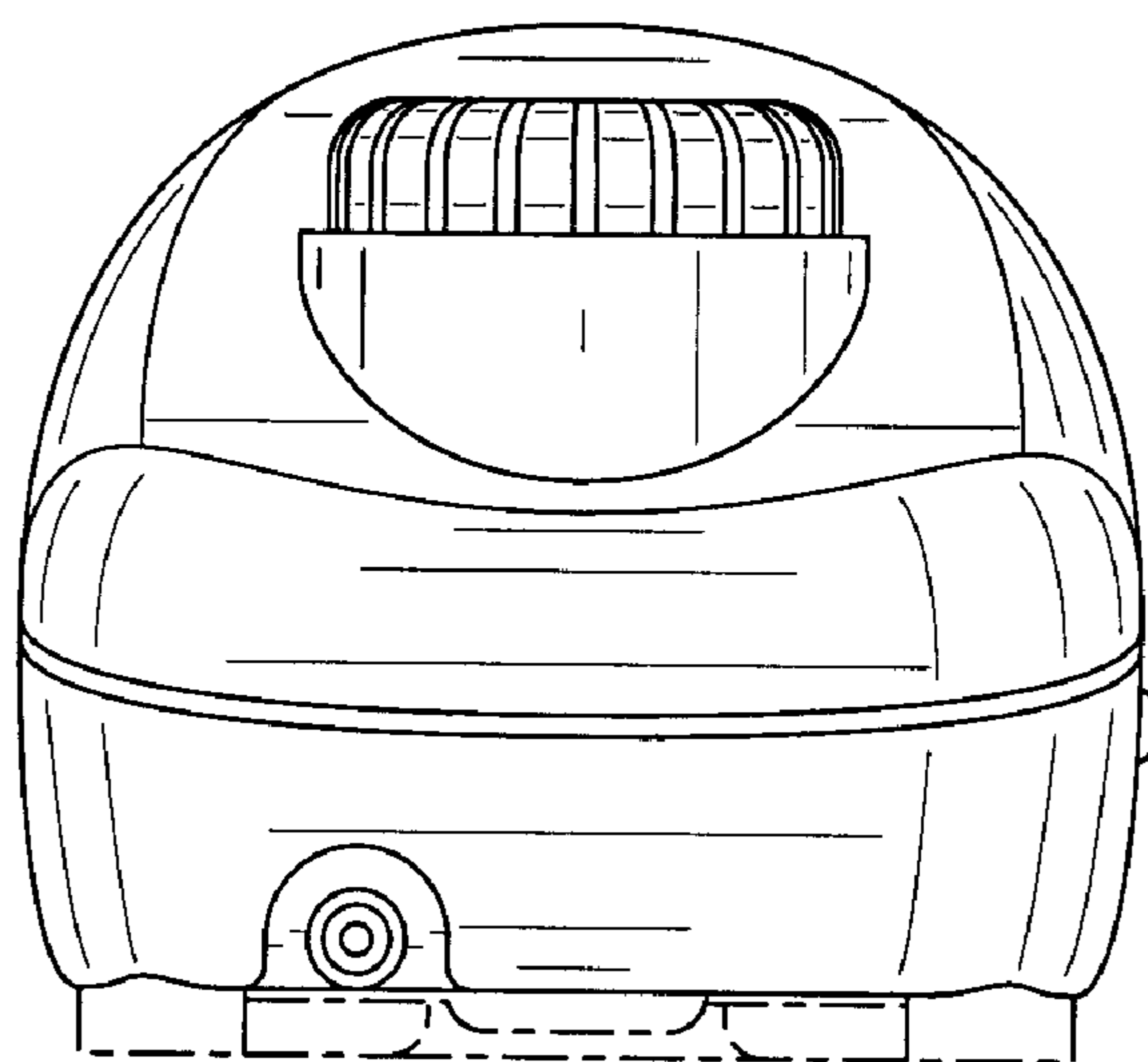


FIG. 9

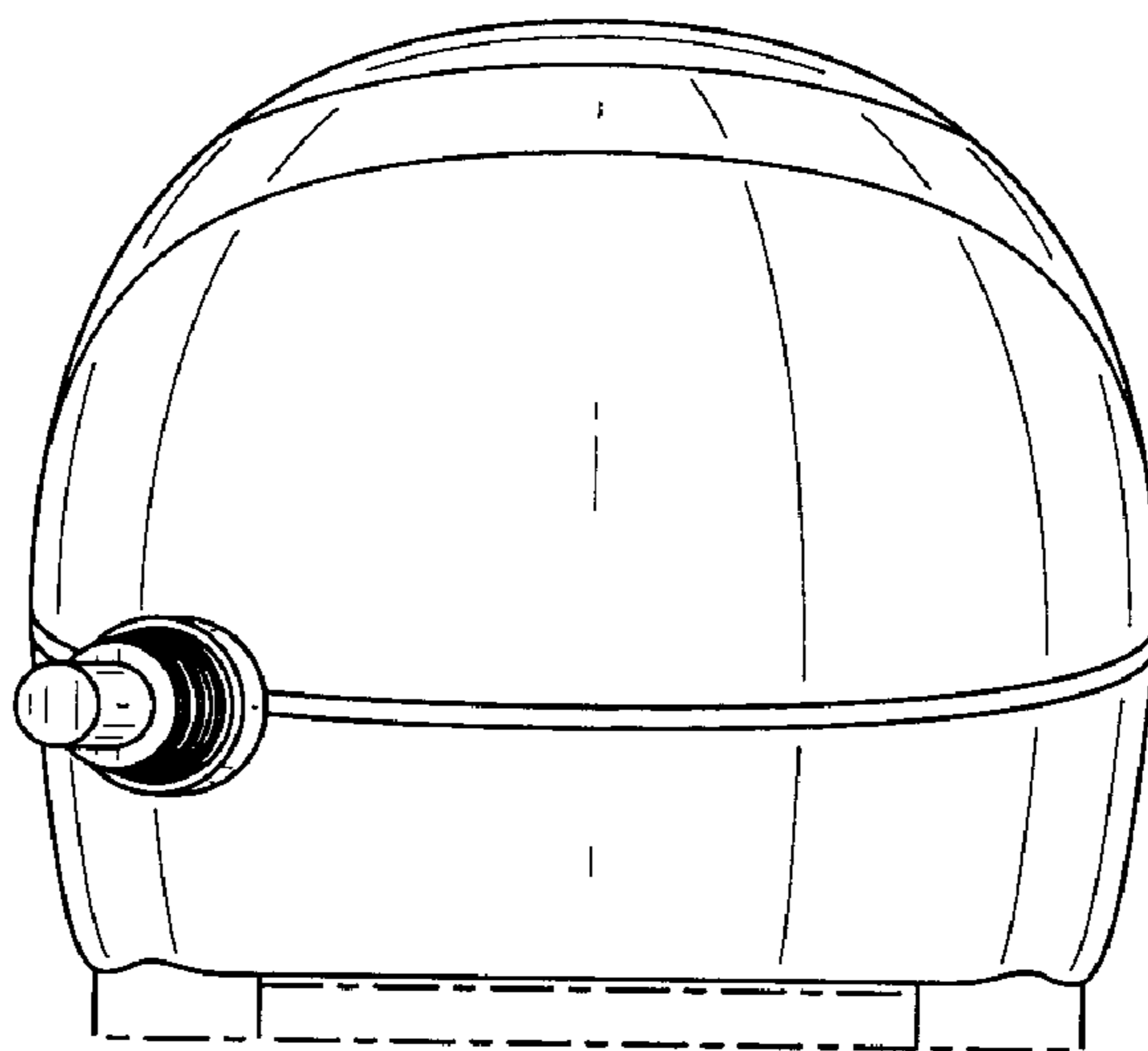


FIG. 10

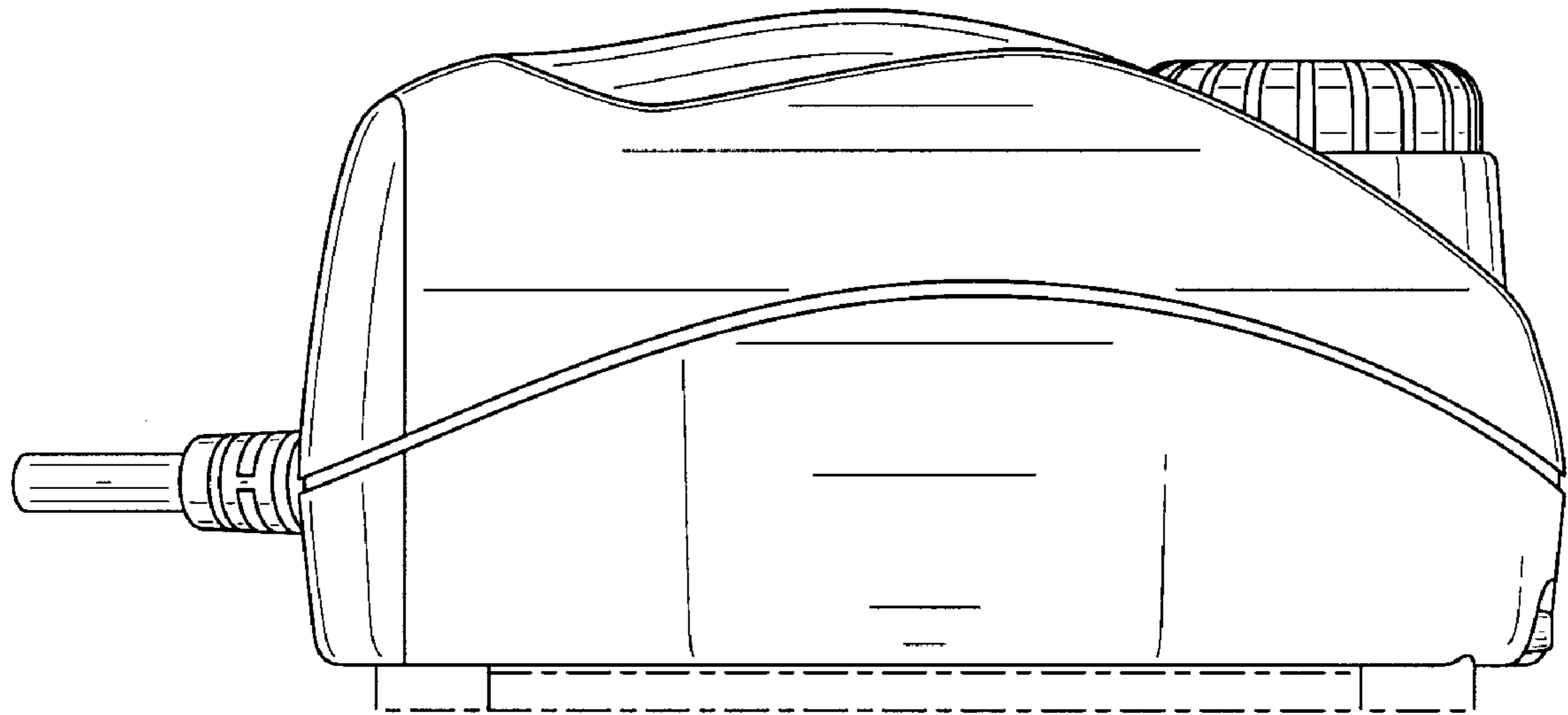


FIG. 11

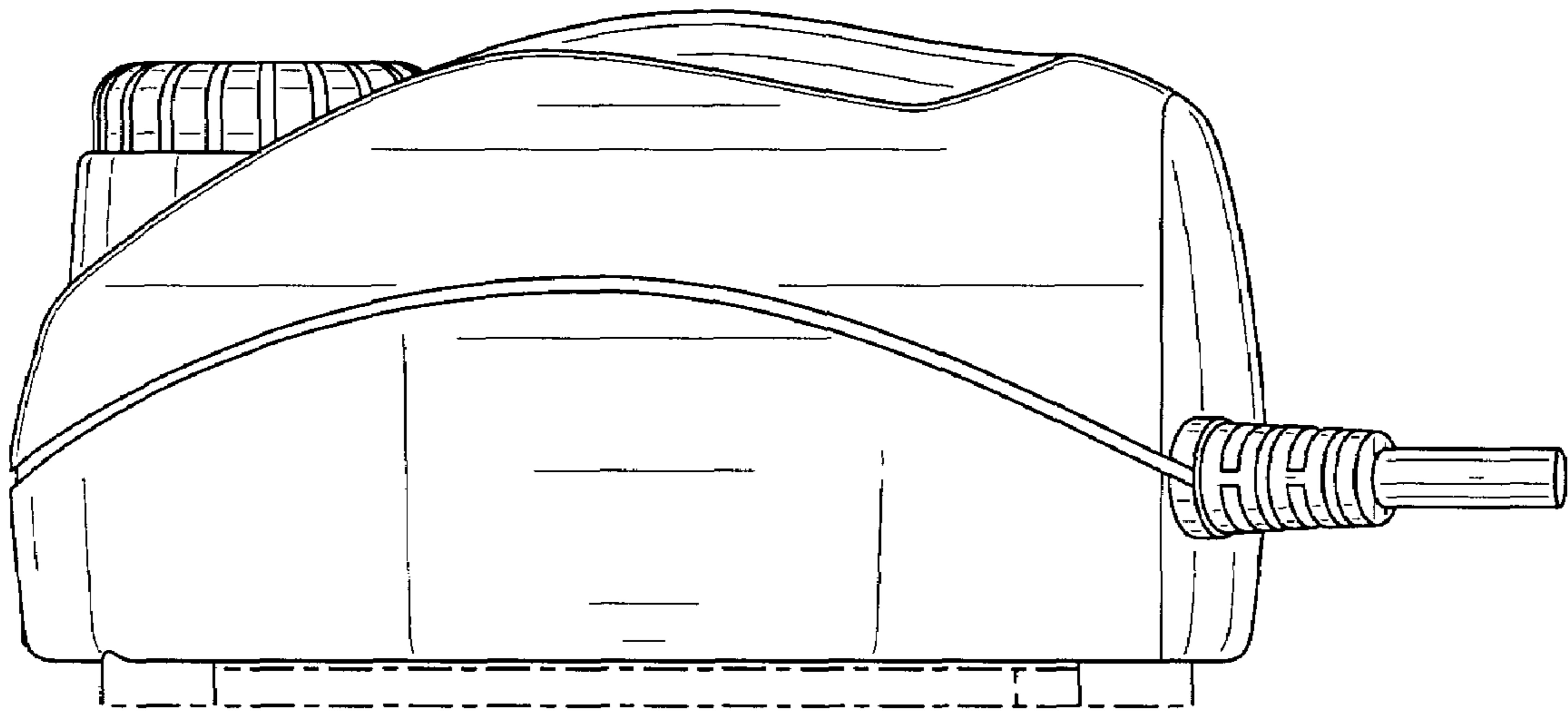


FIG. 12

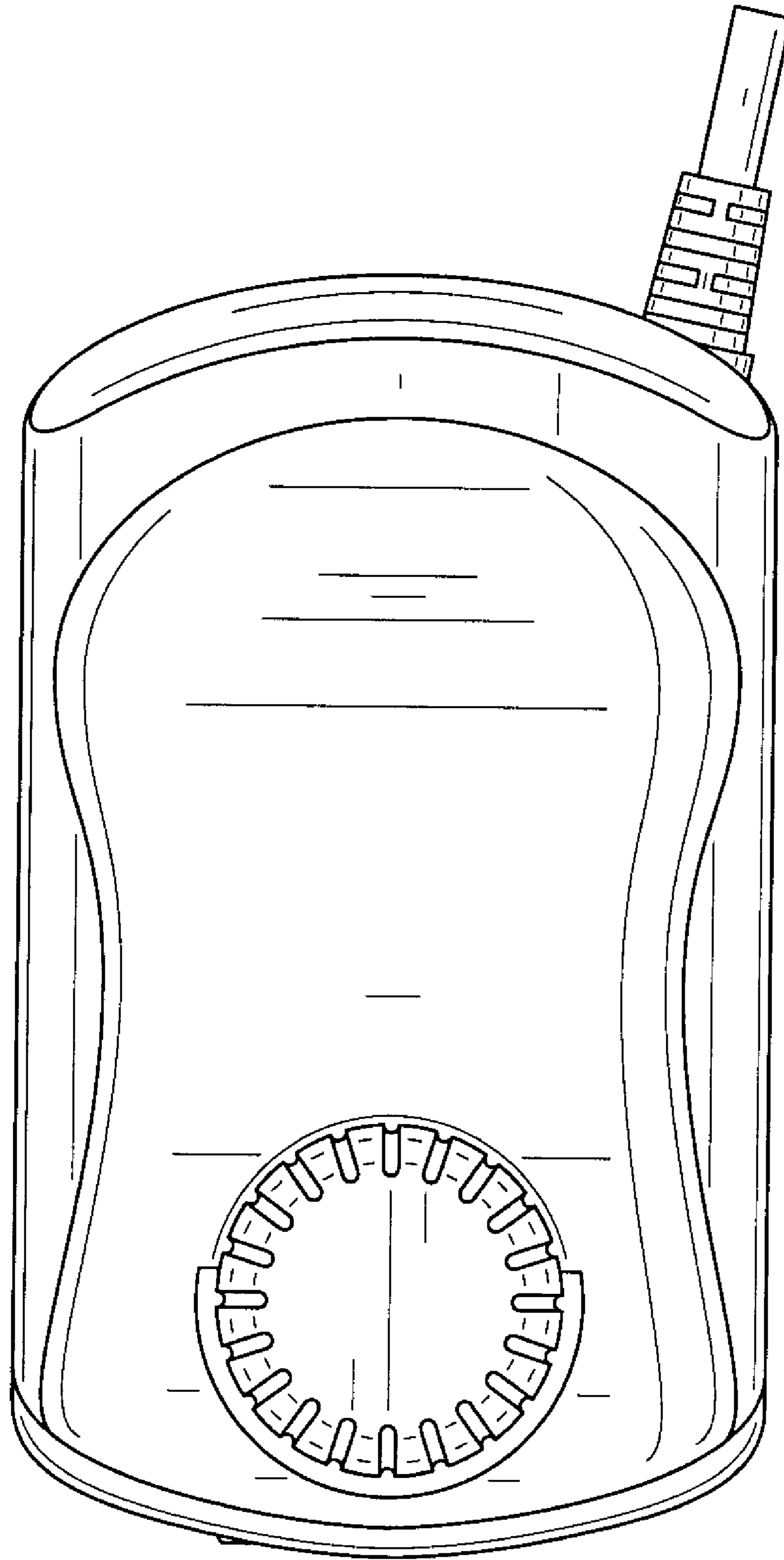


FIG. 13

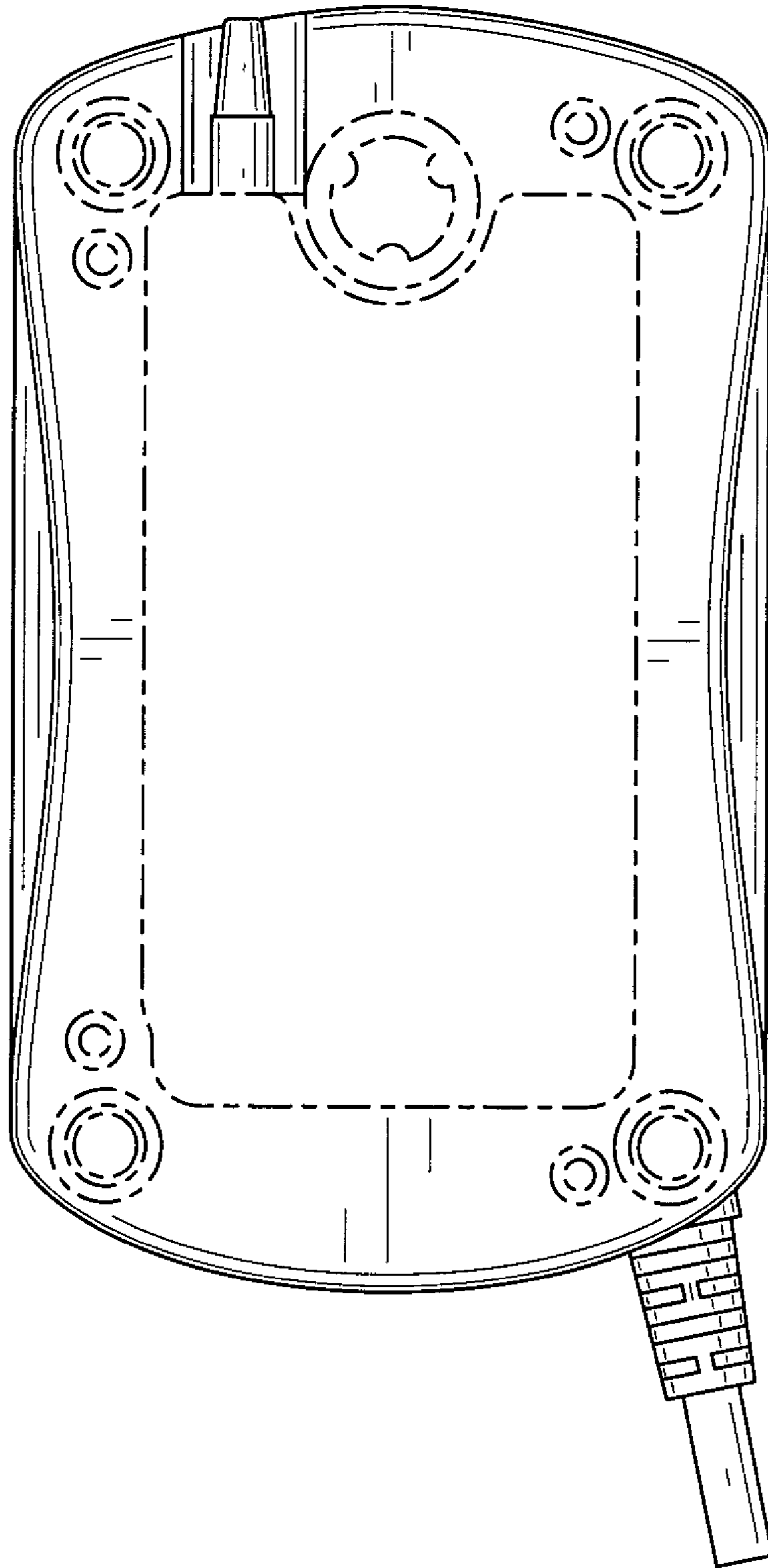


FIG. 14