



US00D589532S

(12) **United States Design Patent**
Ehrlich et al.

(10) **Patent No.:** **US D589,532 S**
(45) **Date of Patent:** **** Mar. 31, 2009**

(54) **AIR PUMP FLUID DISPENSER**

D558,231 S * 12/2007 Vivar et al. D15/7
D565,601 S * 4/2008 Mandsfelt D15/9

(76) Inventors: **Cindy Lyn Ehrlich**, 28776 Shadow Valley La., Saugus, CA (US) 91390;
Kenneth Arthur Gross, 10827 Baird Ave., Northridge, CA (US) 91326-2703

* cited by examiner

Primary Examiner—R. Seifert

(**) Term: **14 Years**

(57) **CLAIM**

(21) Appl. No.: **29/272,775**

The ornamental design for the air pump fluid dispenser, as shown.

(22) Filed: **Feb. 14, 2007**

DESCRIPTION

(51) **LOC (9) Cl.** **15-02**

FIG. 1 is a top plan view of an air pump fluid dispenser showing our new design;

(52) **U.S. Cl.** **D15/7**

FIG. 2 is a front view thereof;

(58) **Field of Classification Search** D15/7-9;
D23/231, 232, 225; 417/410.1, 359, 415-416,
417/234, 321, 265, 405

FIG. 3 is a right side view thereof;

FIG. 4 is a front perspective view thereof;

See application file for complete search history.

FIG. 5 is a bottom view thereof;

FIG. 6 is a rear view thereof;

(56) **References Cited**

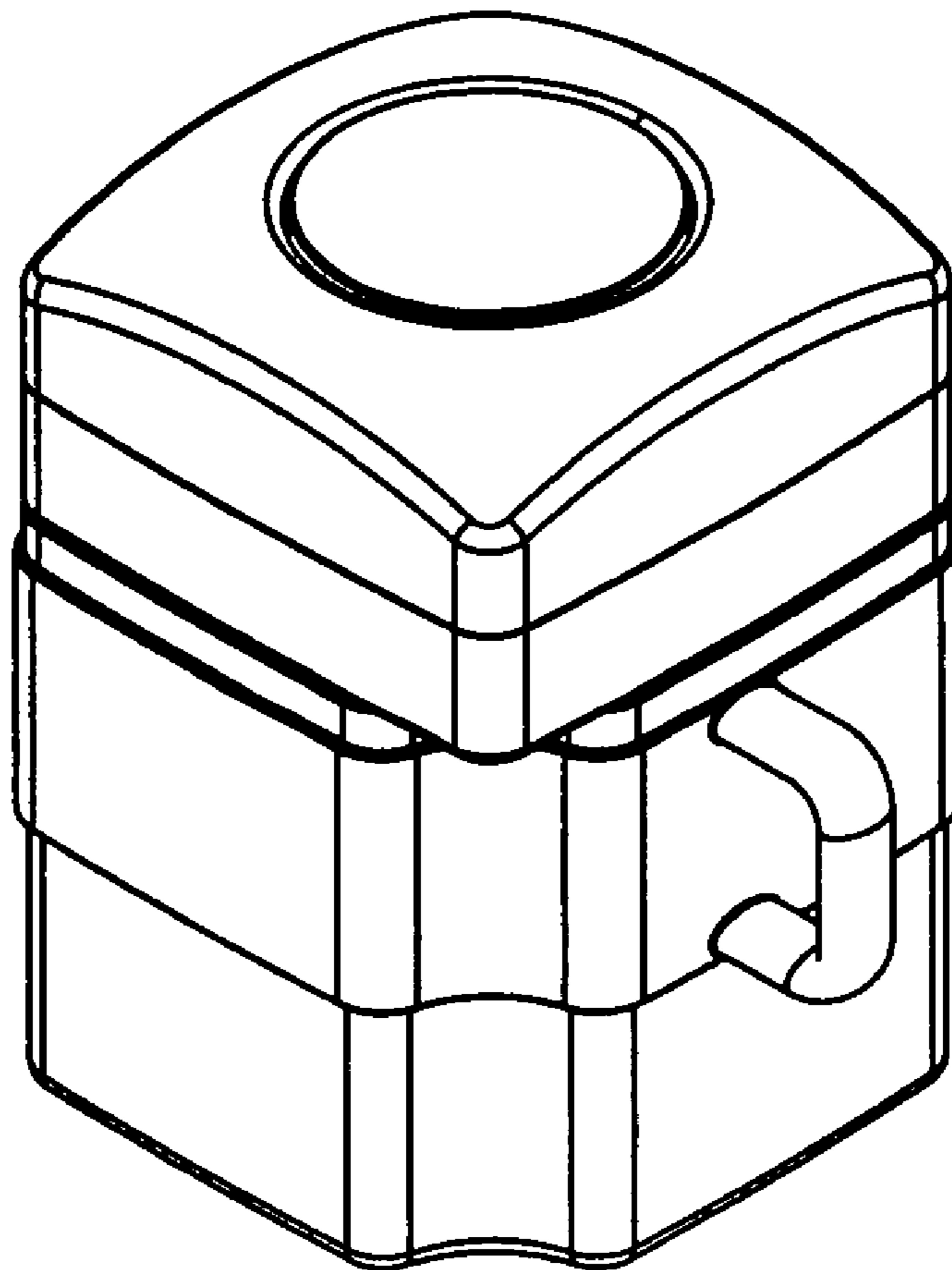
U.S. PATENT DOCUMENTS

D352,947 S * 11/1994 Colin et al. D15/7
D528,131 S * 9/2006 Wu D15/9
D557,708 S * 12/2007 Carpenter et al. D15/7

FIG. 7 is a left side view thereof; and,

FIG. 8 is a side perspective view thereof.

1 Claim, 2 Drawing Sheets



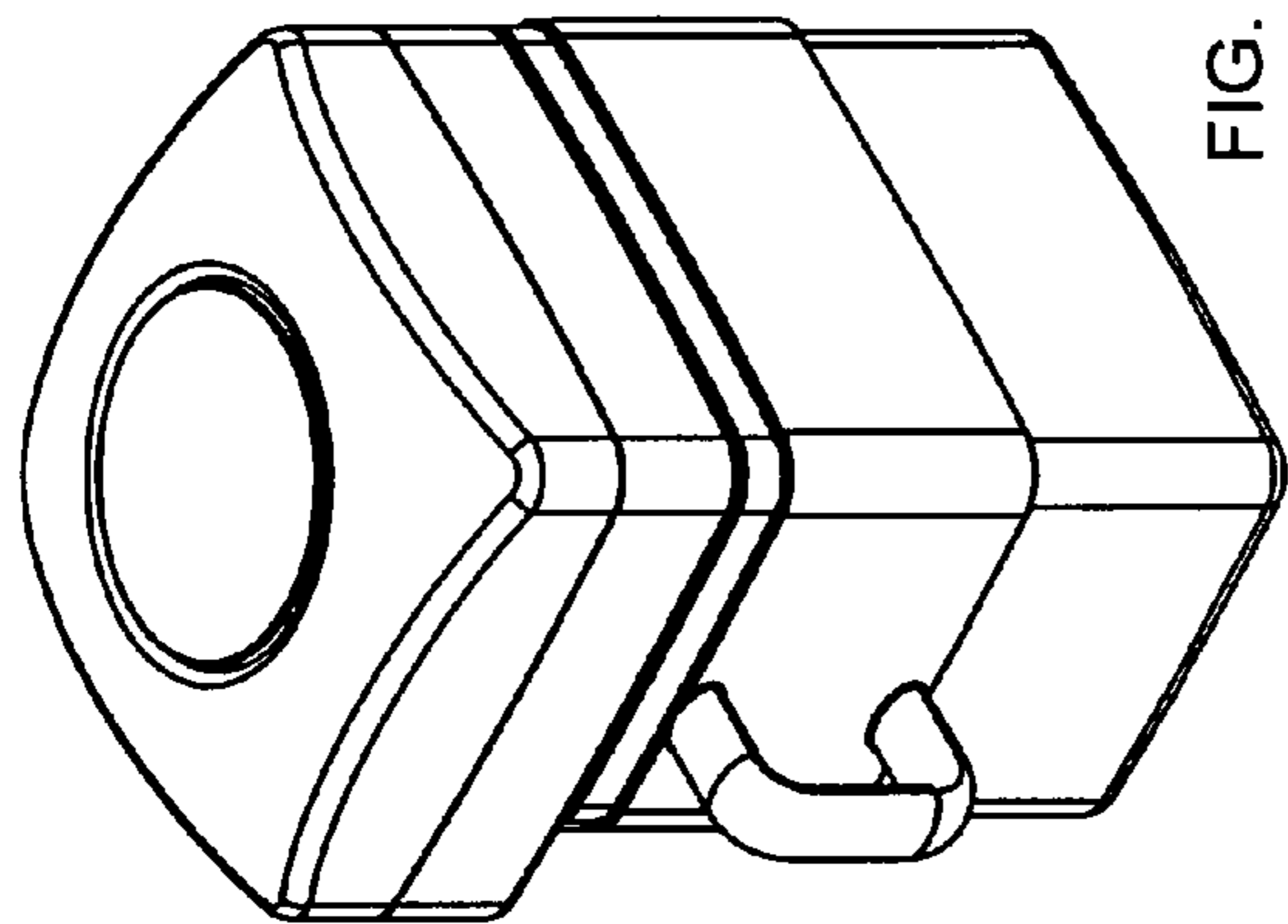


FIG. 4

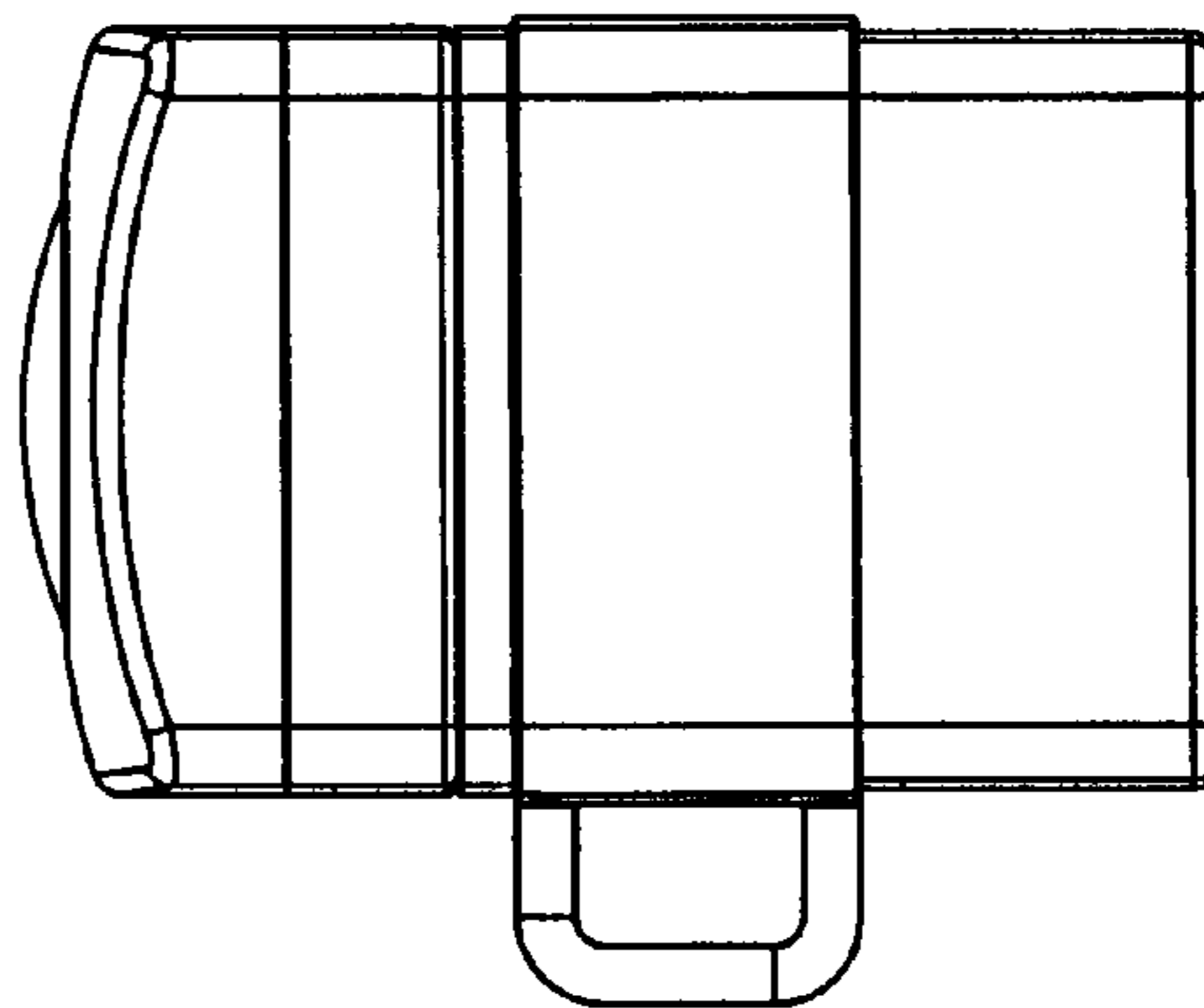


FIG. 3

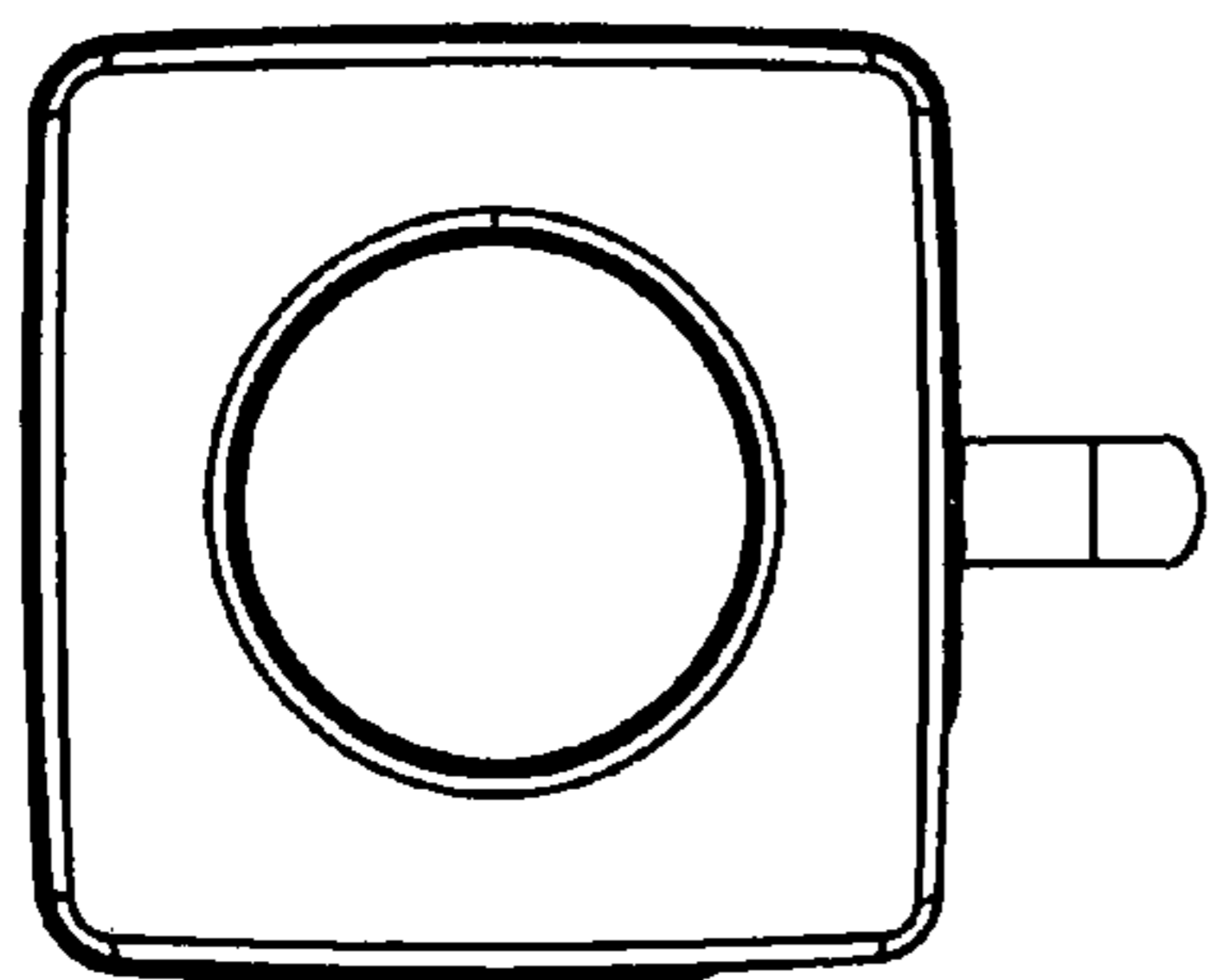


FIG. 1

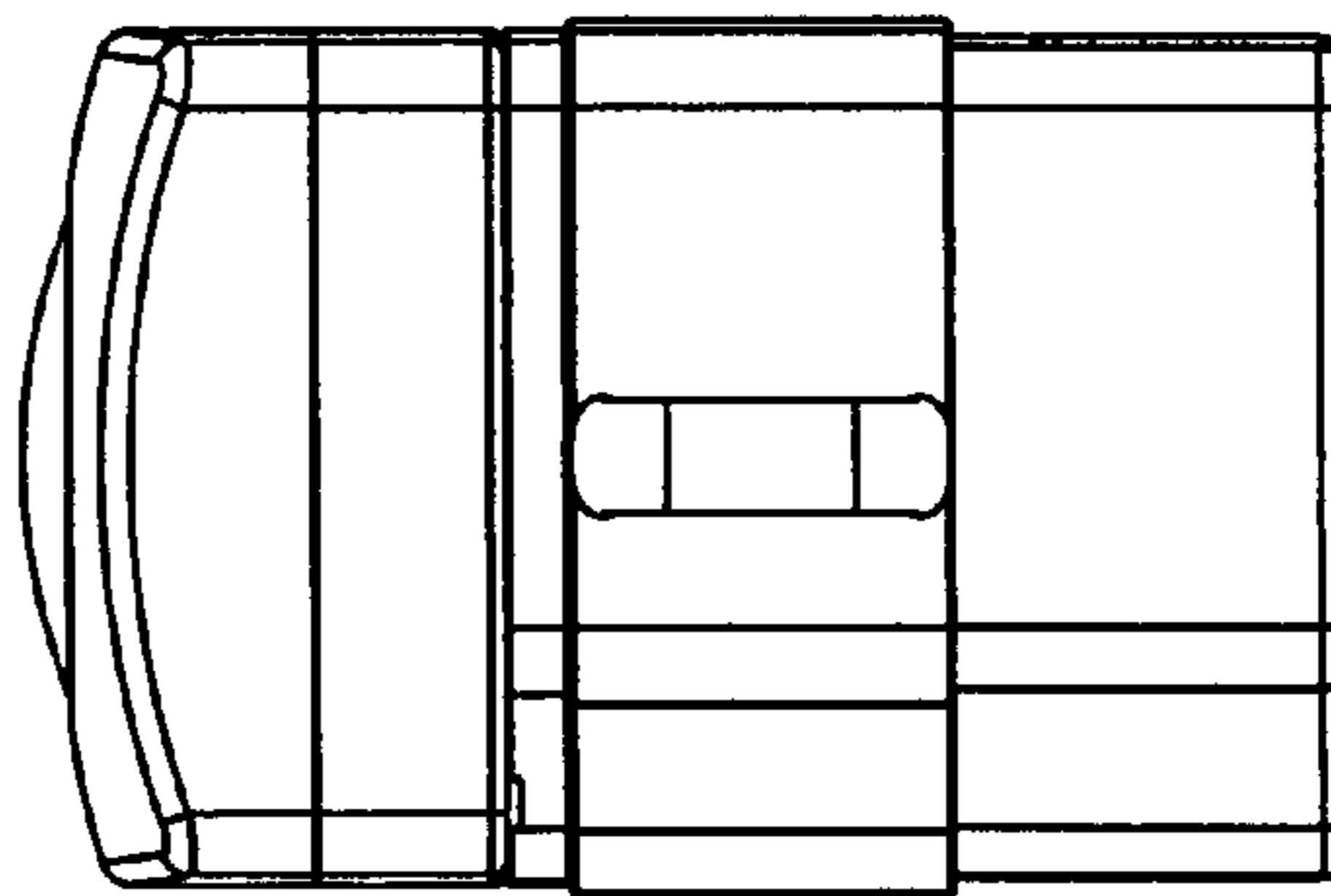


FIG. 2

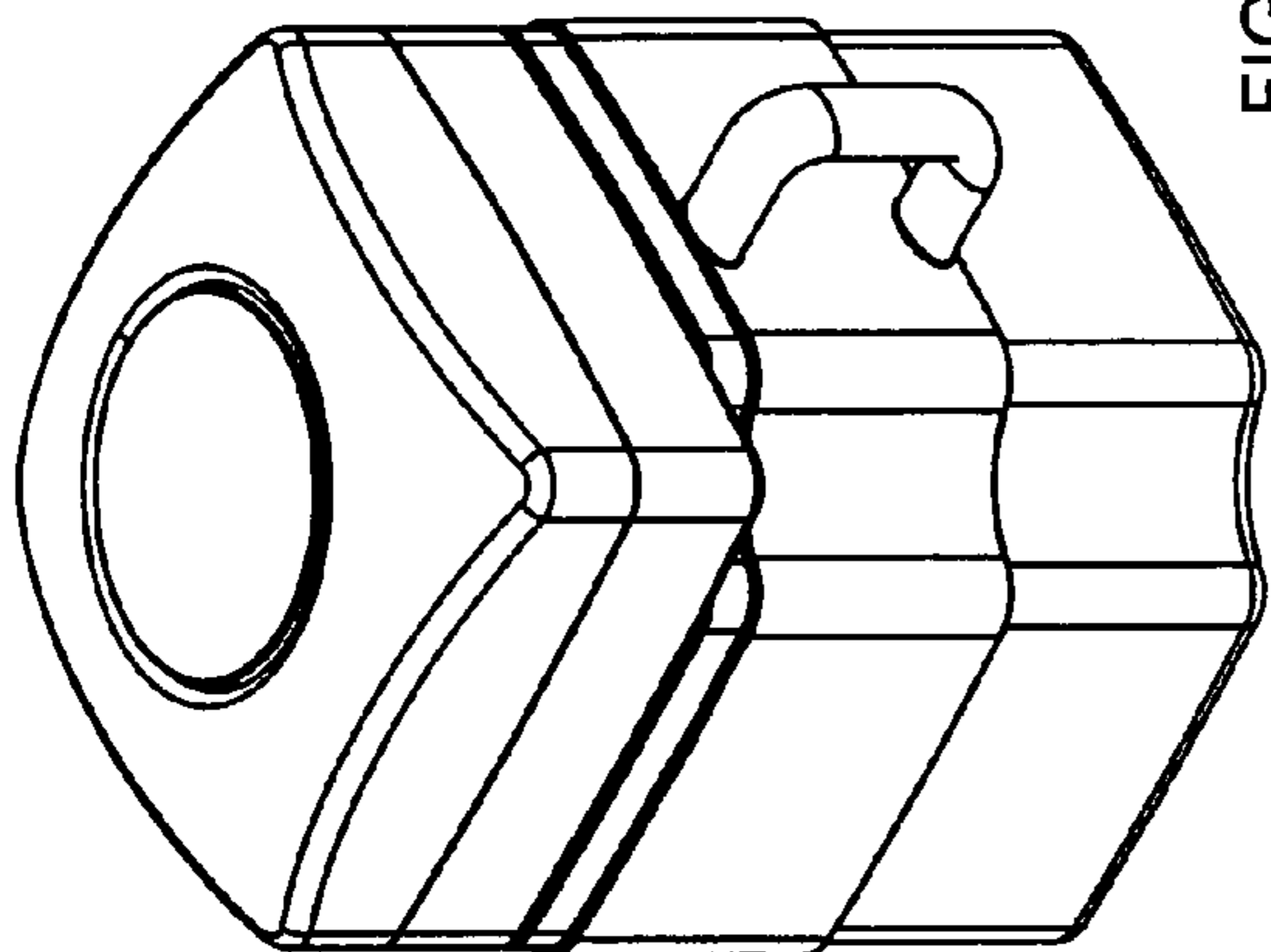


FIG. 8

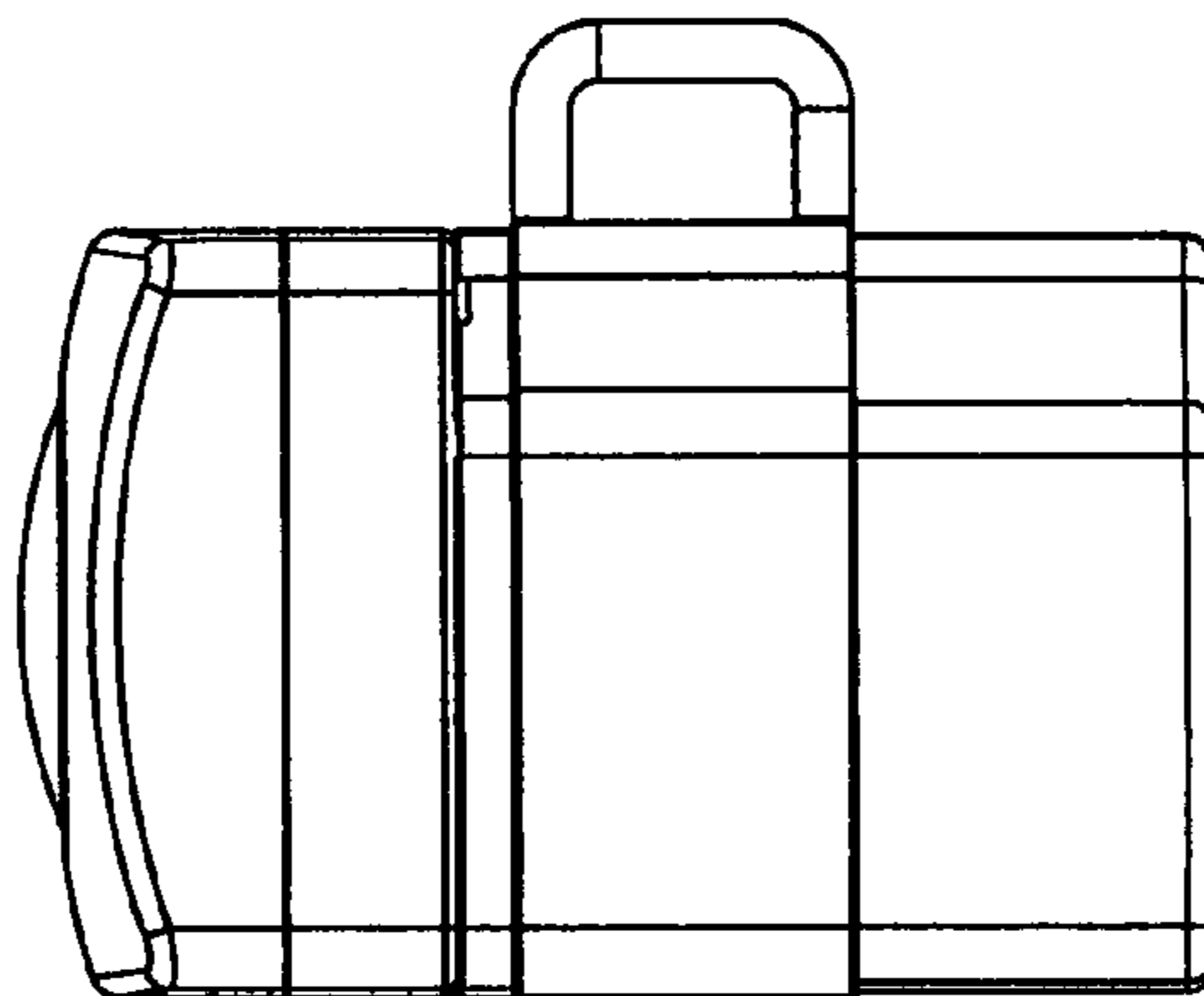


FIG. 7

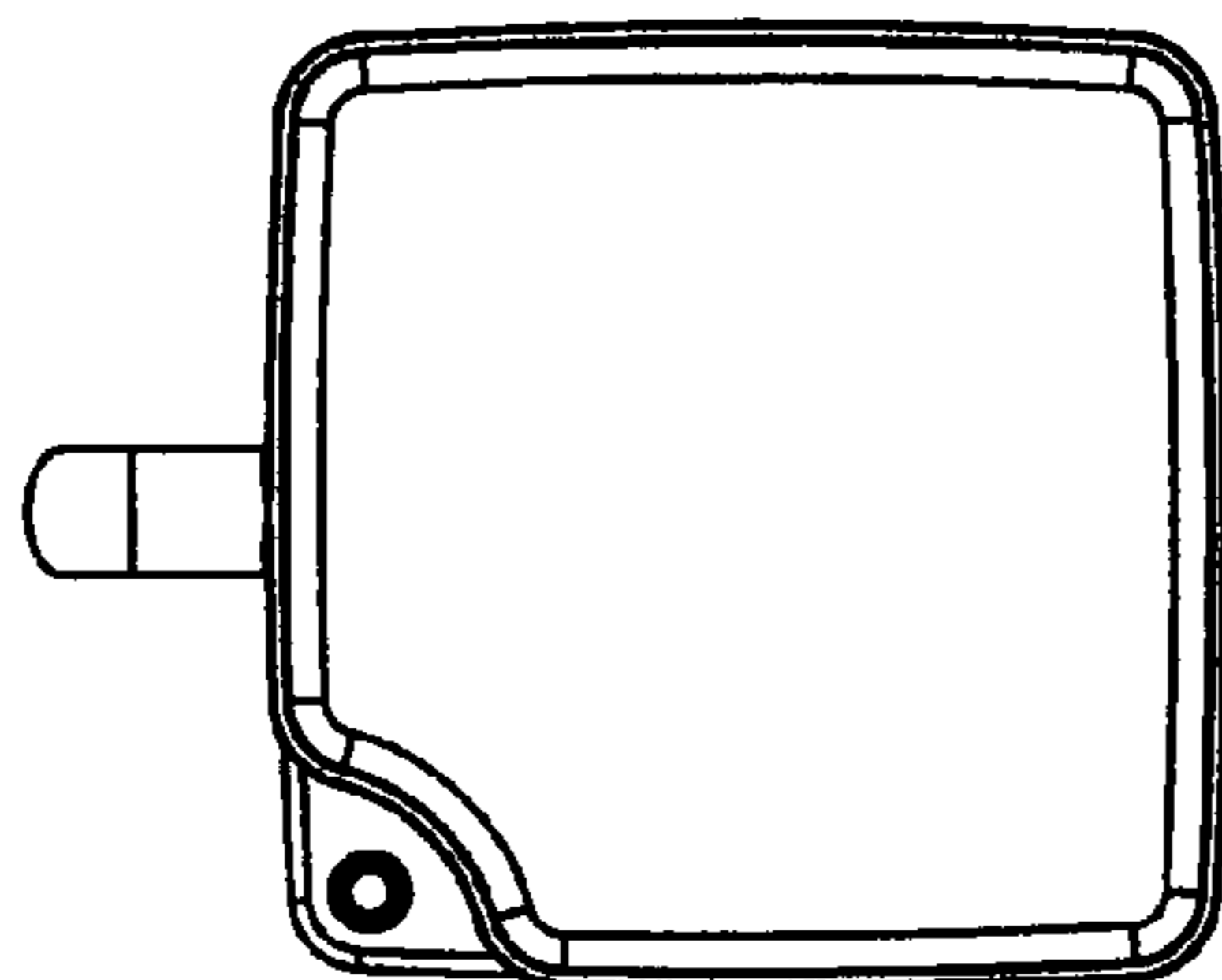


FIG. 5

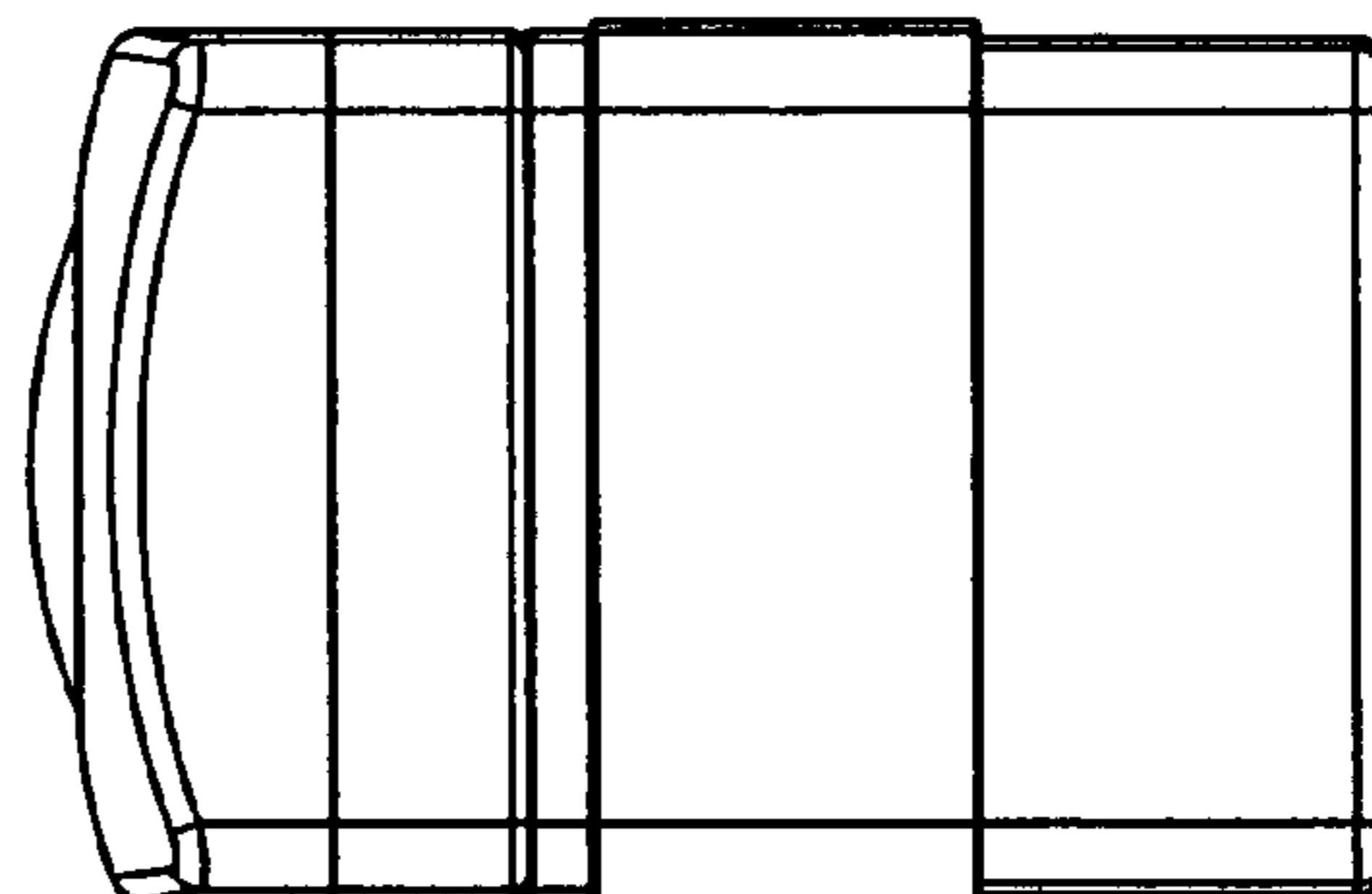


FIG. 6