



US00D589531S

(12) **United States Design Patent**
Fullerton

(10) **Patent No.:** **US D589,531 S**
(45) **Date of Patent:** **** Mar. 31, 2009**

(54) **AUDIO AND IMAGE DIGITAL FILE
STREAMING AND TRANSFER DEVICE**

D548,247 S * 8/2007 Lee D14/496
D556,777 S * 12/2007 Hussaini et al. D14/496
D559,266 S * 1/2008 Oh D14/496
D559,267 S * 1/2008 Griffin D14/496

(75) Inventor: **Robert Fullerton**, Morgan Hill, CA
(US)

* cited by examiner

(73) Assignee: **Aerielle Technologies, Inc.**, Mountain
View, CA (US)

Primary Examiner—Prabhakar Deshmukh
(74) *Attorney, Agent, or Firm*—Craig M. Stainbrook;
Stainbrook & Stainbrook, LLP

(**) Term: **14 Years**

(21) Appl. No.: **29/306,465**

(57) **CLAIM**

(22) Filed: **Apr. 9, 2008**

The ornamental design for an audio and image digital file
streaming and transfer device, as shown and described.

(51) **LOC (9) Cl.** **14-03**

(52) **U.S. Cl.** **D14/496**

(58) **Field of Classification Search** D14/496,
D14/401, 436, 474, 483, 217, 137, 138, 160,
D14/168; 345/156, 169, 173–179, 905; 715/727–729,
715/864; 455/11, 1.7, 73, 344–347, 93, 95;
370/342–344; 369/1, 2, 6, 12; 463/43–47;
273/148 B

See application file for complete search history.

DESCRIPTION

FIG. 1 is an upper left front perspective view of an audio and
image digital file streaming and transfer device showing my
new design;

FIG. 2 is a lower right front perspective view;

FIG. 3 is a front elevational view

FIG. 4 is a right side elevational view, left side is a mirror
image thereof;

FIG. 5 is a rear elevational view;

FIG. 6 is a top plan view; and,

FIG. 7 is a bottom plan view.

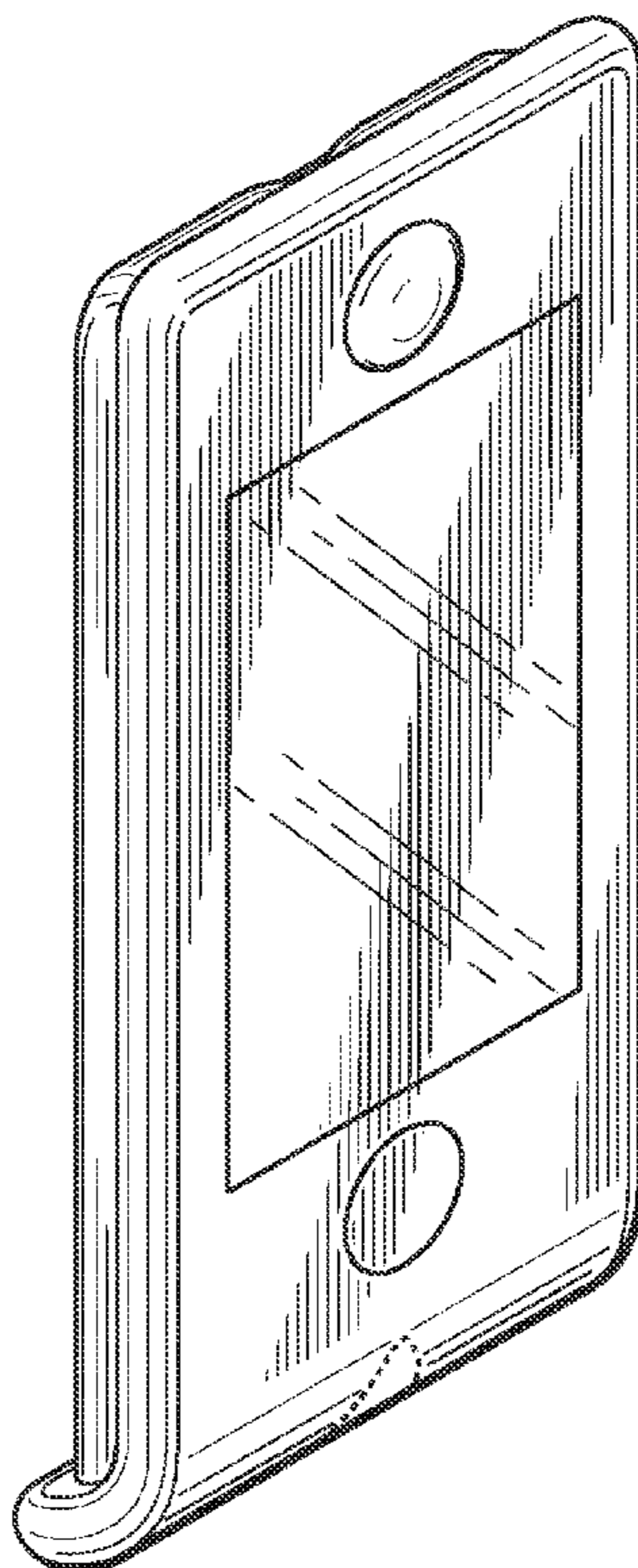
The broken lines environment is for illustrative purpose only
and forms no part of the claimed design.

(56) **References Cited**

U.S. PATENT DOCUMENTS

5,809,520 A * 9/1998 Edwards et al. 711/115
5,880,721 A * 3/1999 Yen 725/81
6,052,472 A * 4/2000 Lo 381/123
6,591,085 B1 * 7/2003 Grady 455/42
D500,322 S * 12/2004 Hussaini et al. D14/496
D542,807 S * 5/2007 Long et al. D14/496

1 Claim, 3 Drawing Sheets



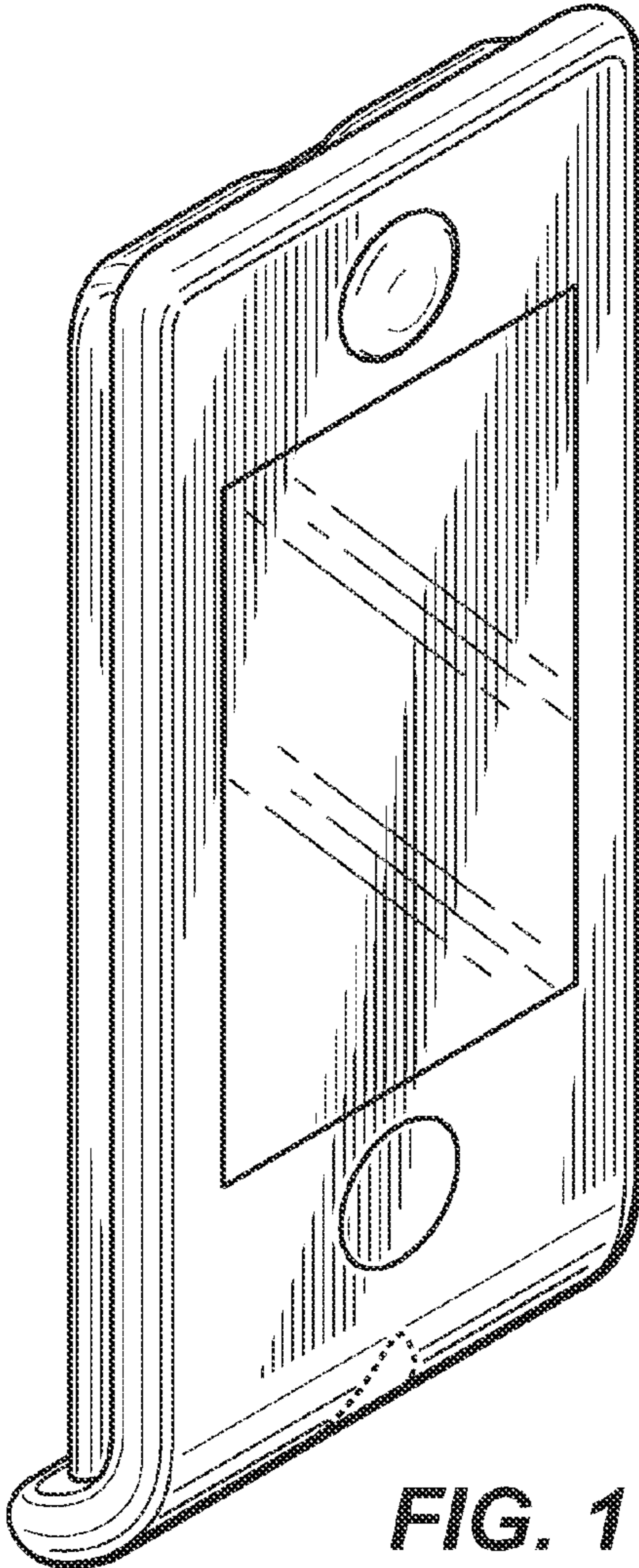


FIG. 1

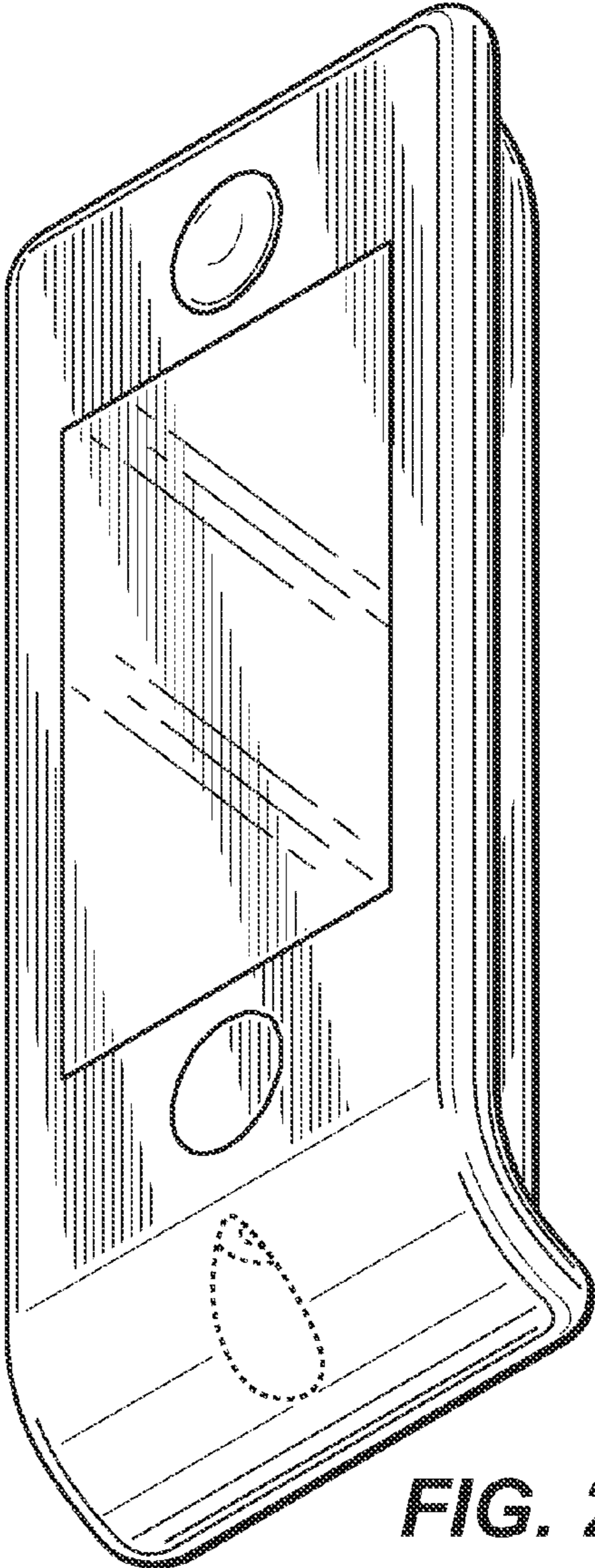


FIG. 2

FIG. 3

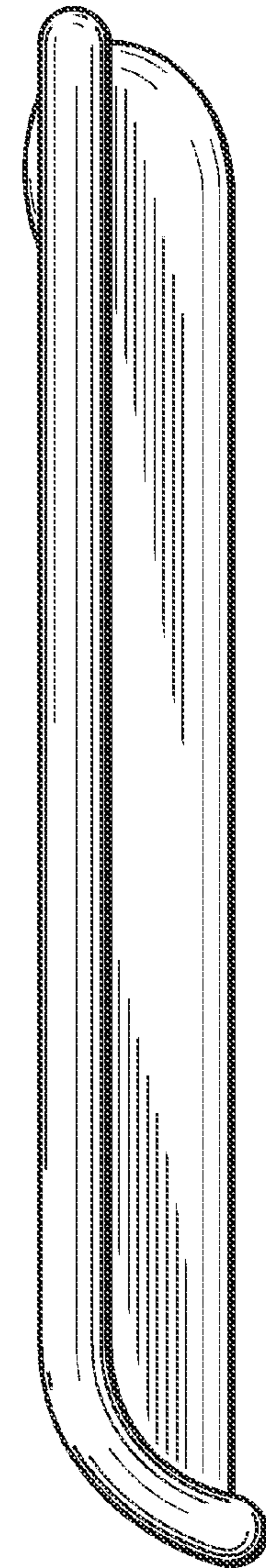
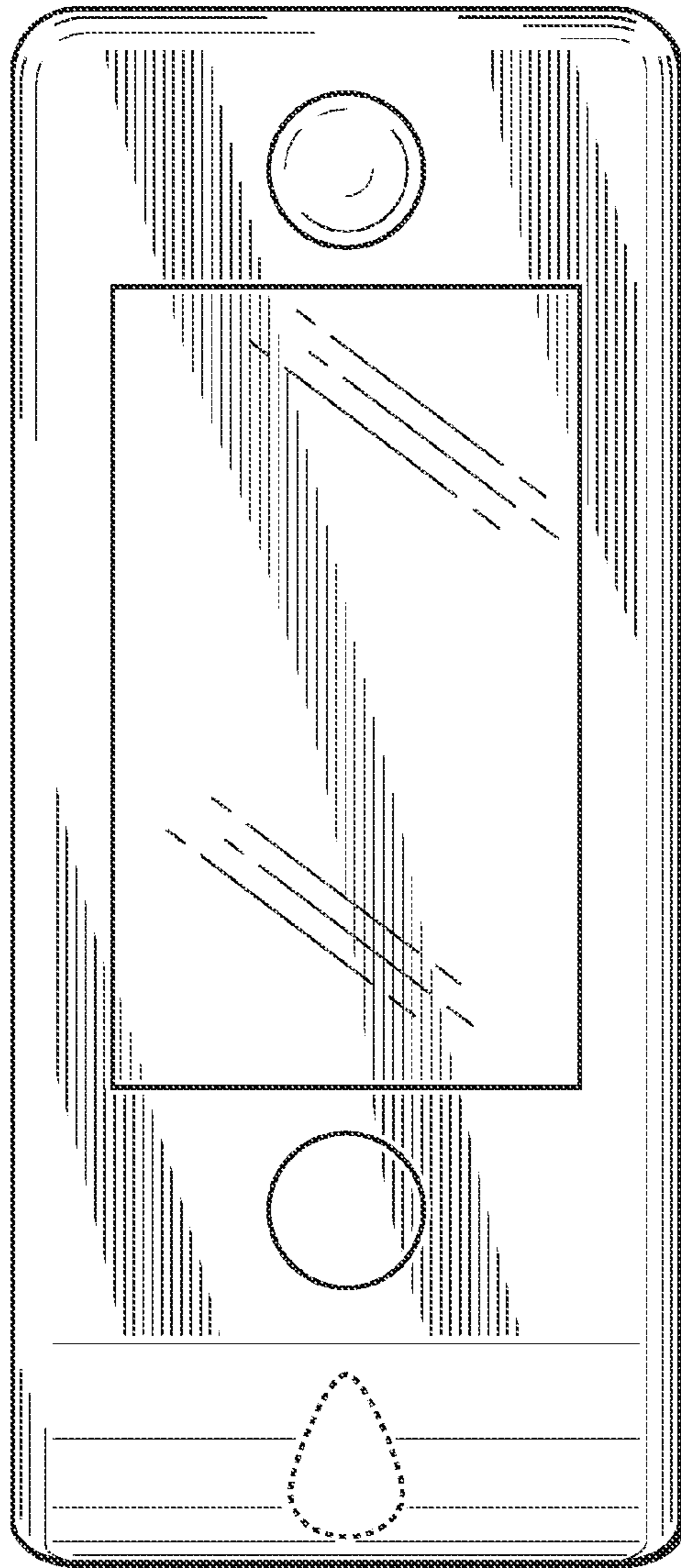


FIG. 4

FIG. 6

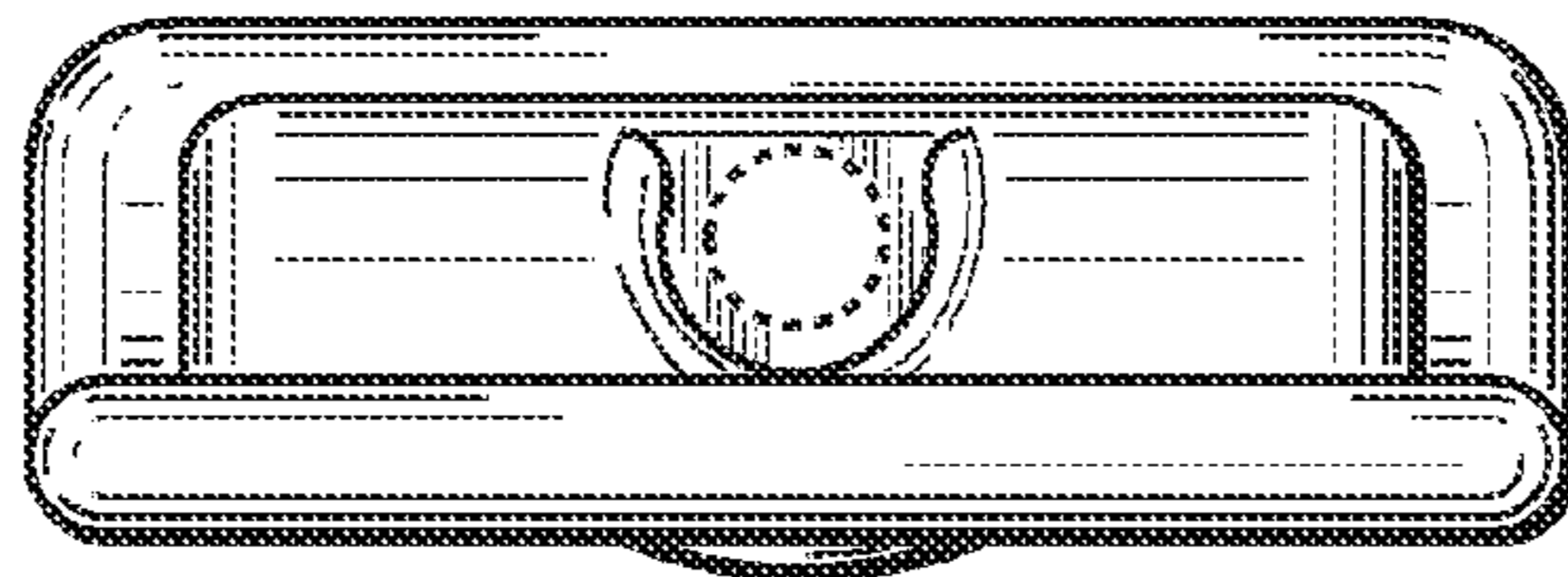


FIG. 5

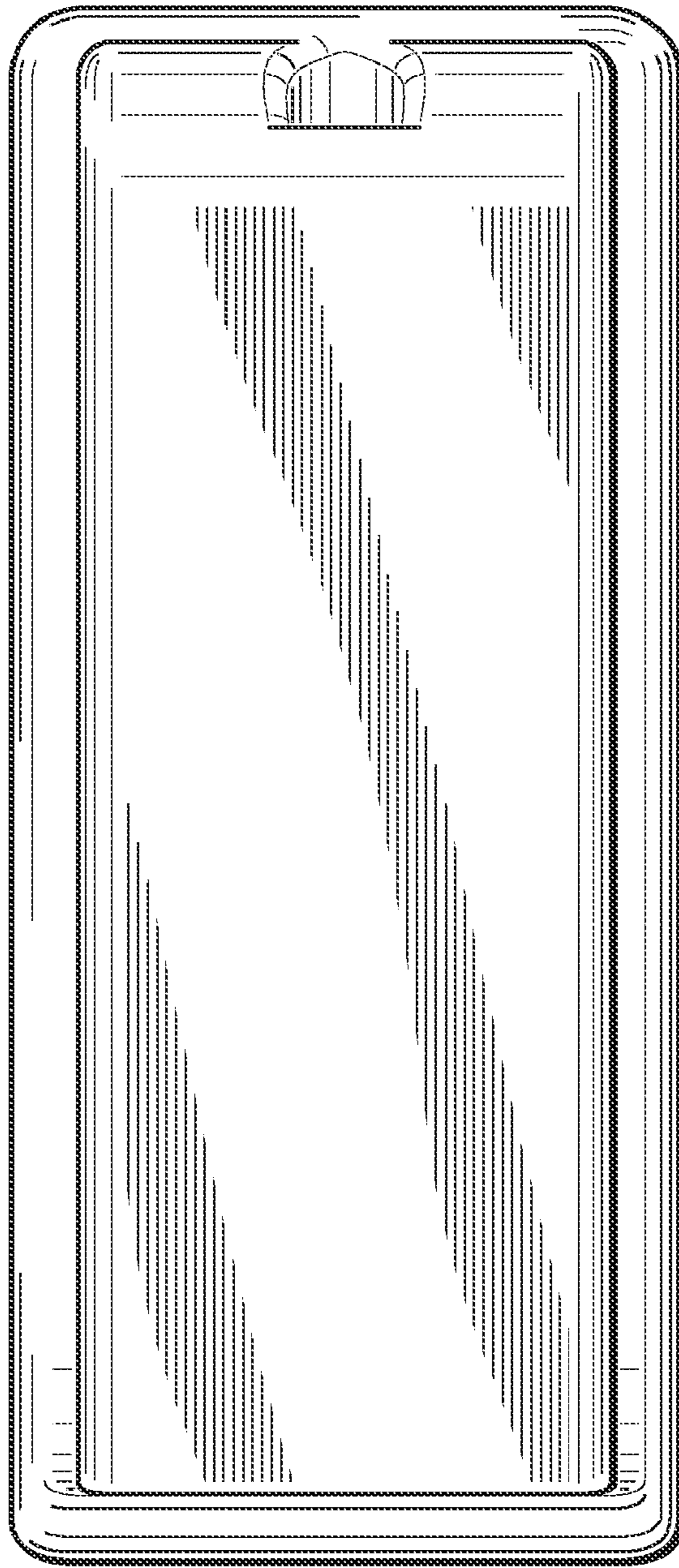


FIG. 7

