



US00D589519S

(12) **United States Design Patent**  
**Smith**

(10) **Patent No.:** **US D589,519 S**  
(45) **Date of Patent:** **\*\* Mar. 31, 2009**

(54) **WRIST-RUMBLE PAD**

(75) Inventor: **Anthony Smith**, Eindhoven (NL)

(73) Assignee: **Koninklijke Philips Electronics N.V.**,  
Eindhoven (NL)

(\*\*) Term: **14 Years**

(21) Appl. No.: **29/275,279**

(22) Filed: **Dec. 20, 2006**

(30) **Foreign Application Priority Data**

Jul. 28, 2006 (EM) ..... 000566906-0005

(51) **LOC (9) Cl.** ..... **06-06**

(52) **U.S. Cl.** ..... **D14/461**

(58) **Field of Classification Search** ..... D14/457-461,  
D14/356, 388, 389, 432, 341, 344; D19/52,  
D19/56, 95; D25/61, 68, 69, 102, 119, 126,  
D25/135, 136, 164; D24/124, 206, 207;  
D6/406.3, 406.6, 601; 248/118, 918, 118.1,  
248/118.5, 346.01, 694; 108/6, 28, 90, 59,  
108/153.1, 157.1

See application file for complete search history.

(56) **References Cited**

**U.S. PATENT DOCUMENTS**

D203,160 S \* 12/1965 Blum ..... D25/164  
D258,839 S \* 4/1981 Broyles ..... D25/69  
D291,006 S \* 7/1987 Minichillo et al. .... D25/69  
5,125,606 A \* 6/1992 Cassano et al. .... 248/118  
D328,598 S \* 8/1992 Massey ..... D14/461  
D330,018 S \* 10/1992 Miller ..... D14/461

D348,659 S \* 7/1994 Miller ..... D14/461  
D357,009 S \* 4/1995 Rossman et al. .... D14/461  
D357,241 S \* 4/1995 Rossman et al. .... D14/461  
D361,992 S \* 9/1995 Evenson et al. .... D14/461  
D362,665 S \* 9/1995 Knighton et al. .... D14/461  
D381,016 S \* 7/1997 Paull et al. .... D14/461  
D391,941 S \* 3/1998 Brunner ..... D14/461  
D399,195 S \* 10/1998 Cummings ..... D14/460  
D406,577 S \* 3/1999 Fitzsimmons ..... D14/461  
D413,875 S \* 9/1999 Lawrence ..... D14/461  
6,219,867 B1 \* 4/2001 Yates ..... 248/118  
D464,152 S \* 10/2002 Nelson et al. .... D25/136  
6,499,703 B2 \* 12/2002 Chou ..... 248/118  
D469,102 S \* 1/2003 Chou ..... D14/461  
D502,038 S \* 2/2005 Berke et al. .... D6/601  
D551,775 S \* 9/2007 McGinness ..... D25/135

\* cited by examiner

*Primary Examiner*—Cathron C Brooks

*Assistant Examiner*—Deanna Fluegeman

(57) **CLAIM**

The ornamental design for a wrist-rumble pad, as shown.

**DESCRIPTION**

FIG. 1 is a perspective view showing my design;

FIG. 2 is a front elevational view thereof;

FIG. 3 is a rear elevational view thereof;

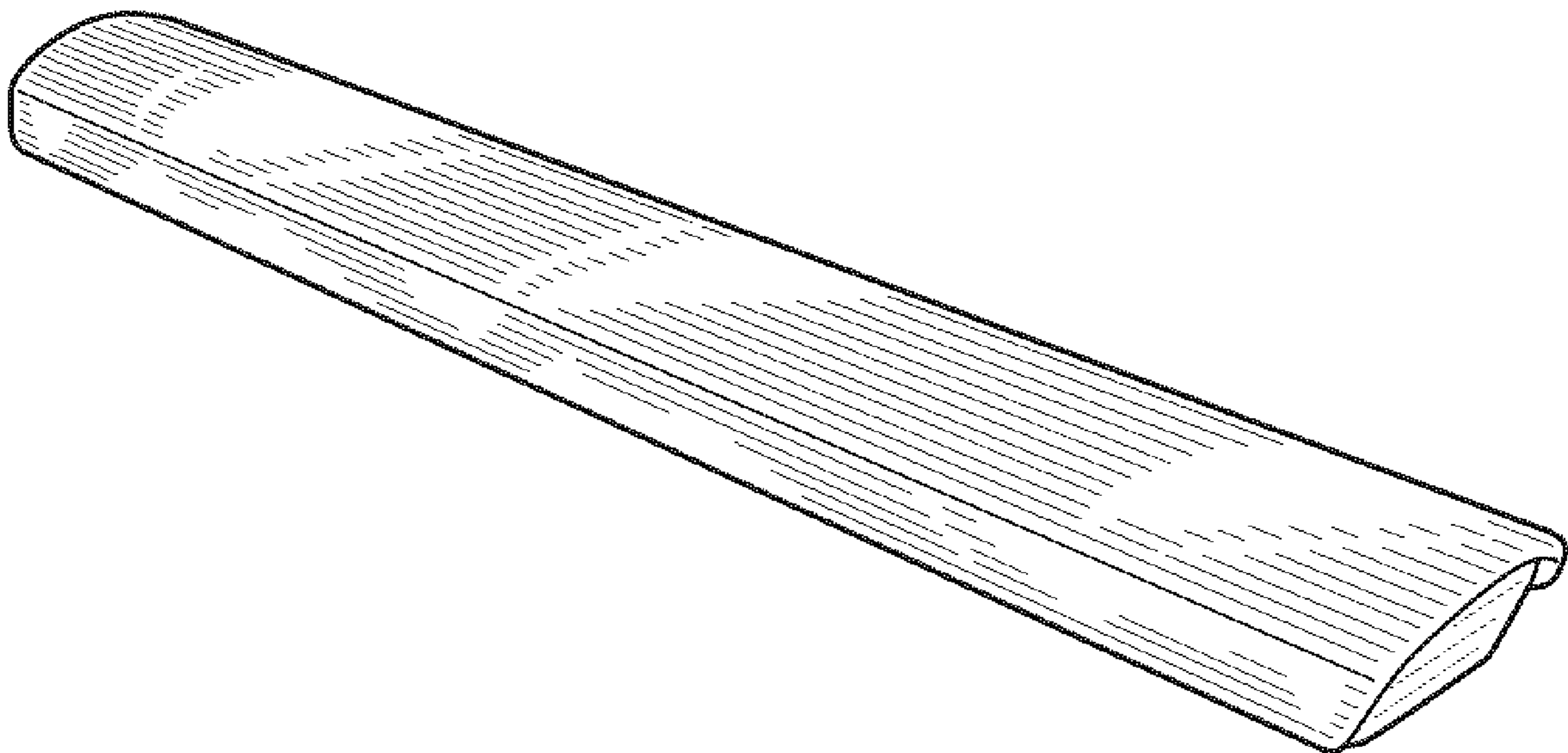
FIG. 4 is a left side elevational view thereof;

FIG. 5 is a right side elevational view thereof;

FIG. 6 is a top plan view thereof; and,

FIG. 7 is a bottom plan view thereof.

**1 Claim, 2 Drawing Sheets**



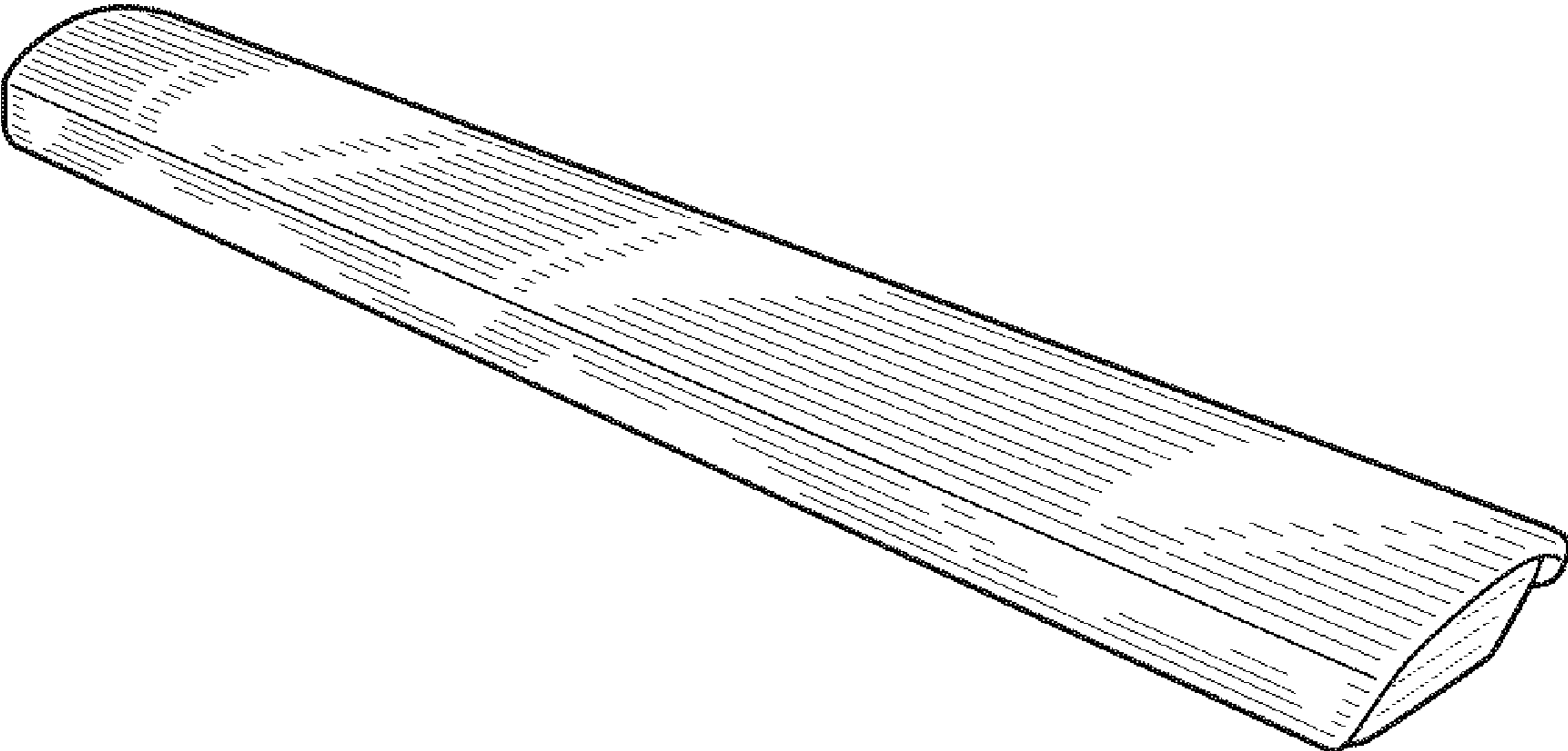


FIG. 1



FIG. 2



FIG. 3



FIG. 4



FIG. 5

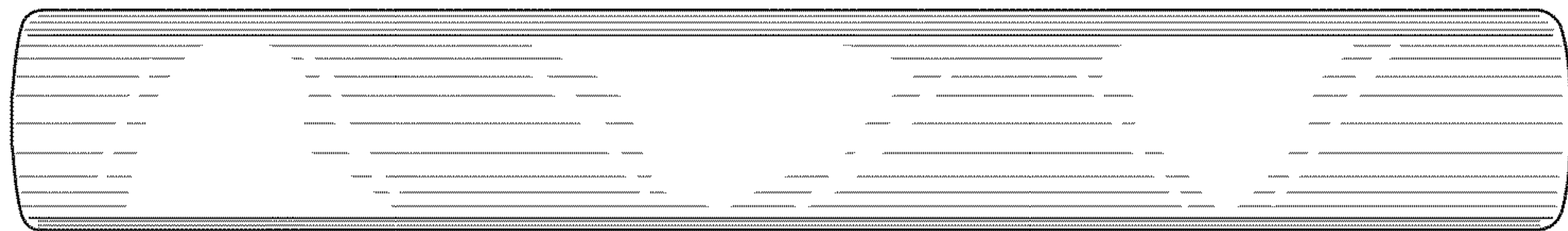


FIG. 6

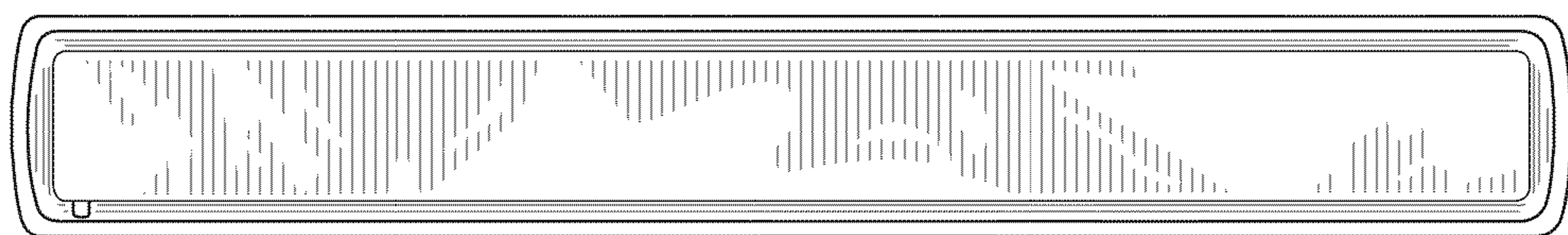


FIG. 7