



US00D589517S

(12) **United States Design Patent**
Chien et al.

(10) **Patent No.:** **US D589,517 S**
(45) **Date of Patent:** **** Mar. 31, 2009**

(54) **COMPUTER HOUSING**

(75) Inventors: **Chih-I Chien**, Taoyuan (TW); **Chun-I Chao**, Taoyuan (TW)

(73) Assignee: **Enermax Technology Corporation**, Taoyuan (TW)

(**) Term: **14 Years**

(21) Appl. No.: **29/300,254**

(22) Filed: **Mar. 6, 2008**

(51) **LOC (9) Cl.** **14-02**

(52) **U.S. Cl.** **D14/439**; D14/349

(58) **Field of Classification Search** D14/300–303,
D14/308, 314, 348, 349, 351–355, 363–370,
D14/439–447; D13/133, 154, 158, 173,
D13/177, 184, 199; 312/223.2; 361/680–686,
361/690–696; 369/34.01, 36.01

See application file for complete search history.

(56) **References Cited**

U.S. PATENT DOCUMENTS

D408,019 S *	4/1999	Lee	D14/349
D460,966 S *	7/2002	Wang et al.	D14/351
D464,964 S *	10/2002	Chien et al.	D14/349
D466,893 S *	12/2002	Liu et al.	D14/349
D466,895 S *	12/2002	Wang et al.	D14/351
D475,368 S *	6/2003	Chang	D14/300
D487,743 S *	3/2004	Kim	D14/349
D497,615 S *	10/2004	Kim	D14/349
D499,096 S *	11/2004	Deng	D14/353
D499,405 S *	12/2004	Zhang et al.	D14/441
D499,734 S *	12/2004	Su et al.	D14/444
D500,762 S *	1/2005	Chen et al.	D14/444
D511,159 S *	11/2005	Su et al.	D14/300
D521,011 S *	5/2006	Chen et al.	D14/444

D523,862 S *	6/2006	Chen et al.	D14/444
D523,866 S *	6/2006	Chen et al.	D14/444
D535,653 S *	1/2007	Chen	D14/349
D543,207 S *	5/2007	Dong	D14/444
D549,702 S *	8/2007	Kim et al.	D14/349
D554,125 S *	10/2007	Xu et al.	D14/441
D554,131 S *	10/2007	Liu	D14/444
D554,132 S *	10/2007	Zhou et al.	D14/444
D554,646 S *	11/2007	Deng	D14/444
D560,667 S *	1/2008	Zhou	D14/441
D570,850 S *	6/2008	Chen et al.	D14/444
2007/0242428 A1 *	10/2007	Lin	361/692

* cited by examiner

Primary Examiner—Cathron C Brooks

Assistant Examiner—Deanna Fluegeman

(74) *Attorney, Agent, or Firm*—Rosenberg, Klein & Lee

(57) **CLAIM**

The ornamental design for a “computer housing,” shown and described.

DESCRIPTION

FIG. 1 is a perspective view of a “computer housing” showing my new design;

FIG. 2 is a front view thereof;

FIG. 3 is a rear view thereof;

FIG. 4 is a left side view thereof;

FIG. 5 is a right side view thereof;

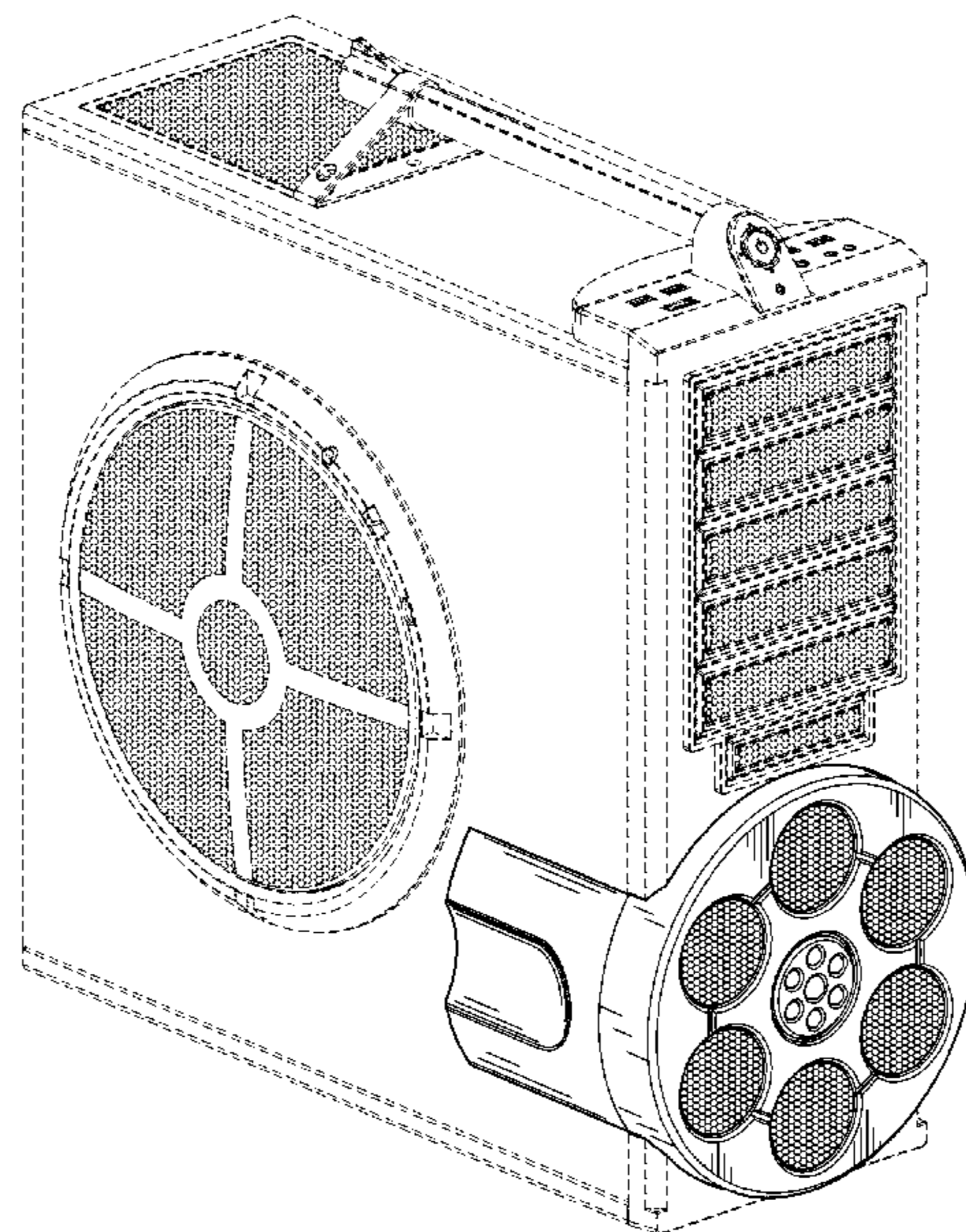
FIG. 6 is a top view thereof; and,

FIG. 7 is a bottom view thereof.

Portions of the computer housing shown in broken lines form no part of the claimed design.

The claimed design is shown in dark, solid, unbroken lines.

1 Claim, 5 Drawing Sheets



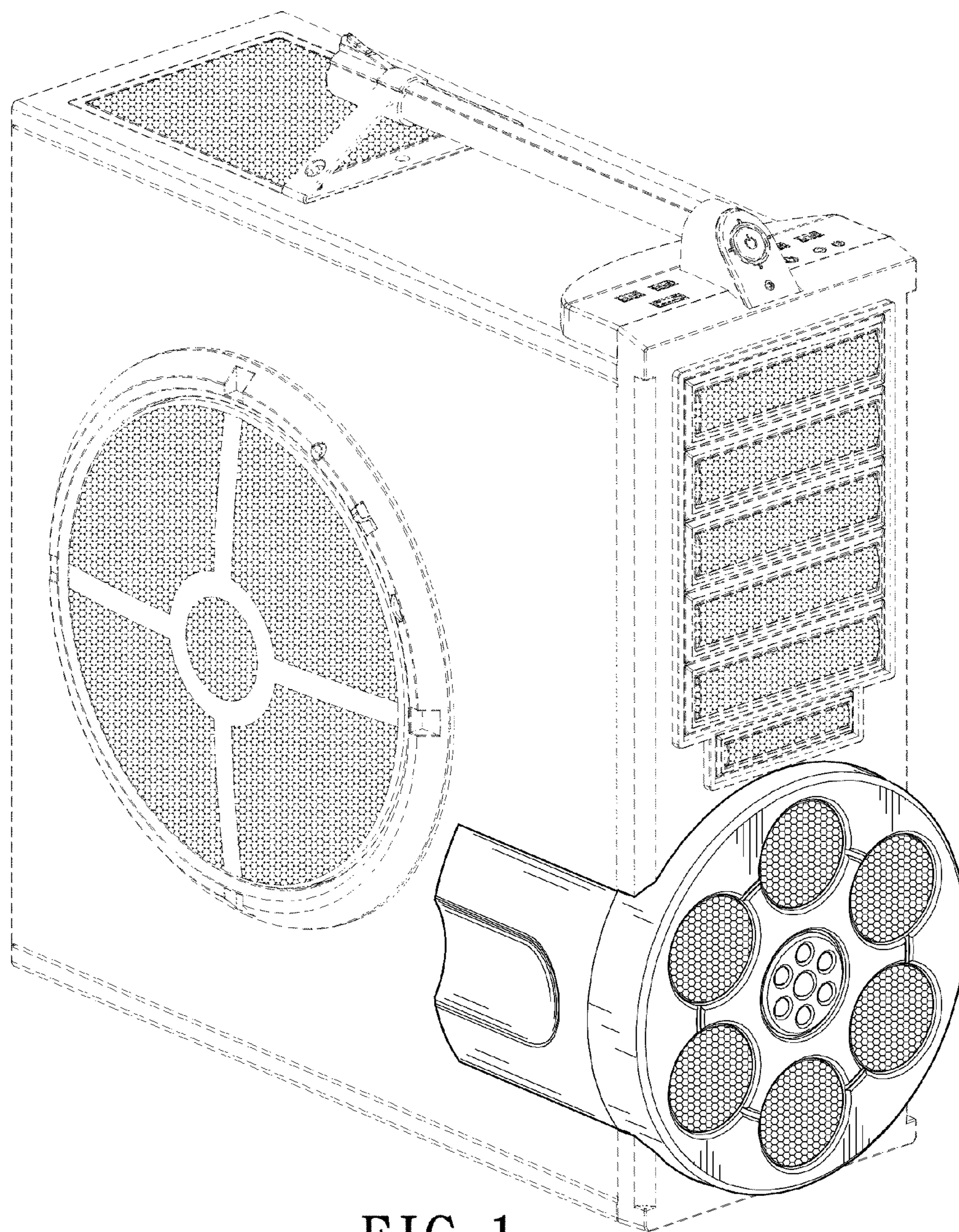


FIG. 1

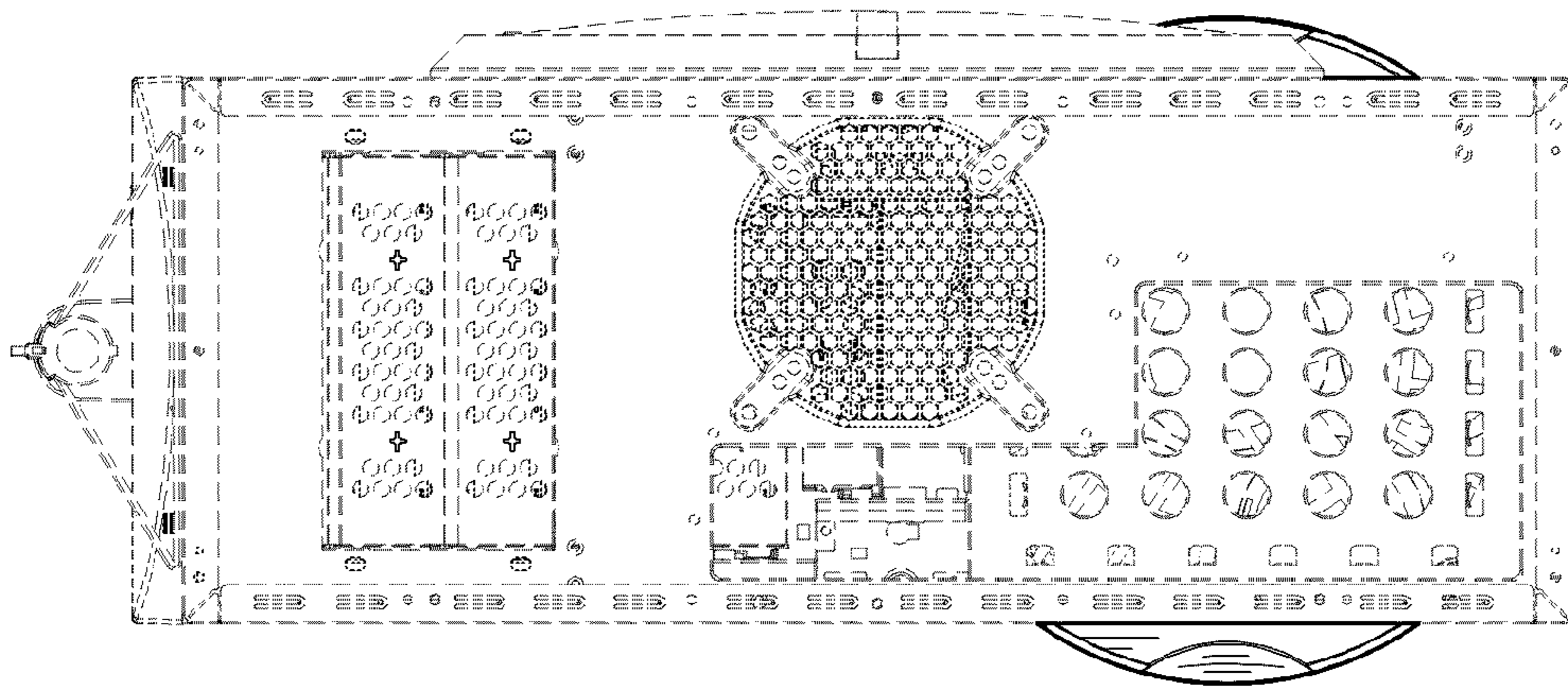


FIG. 3

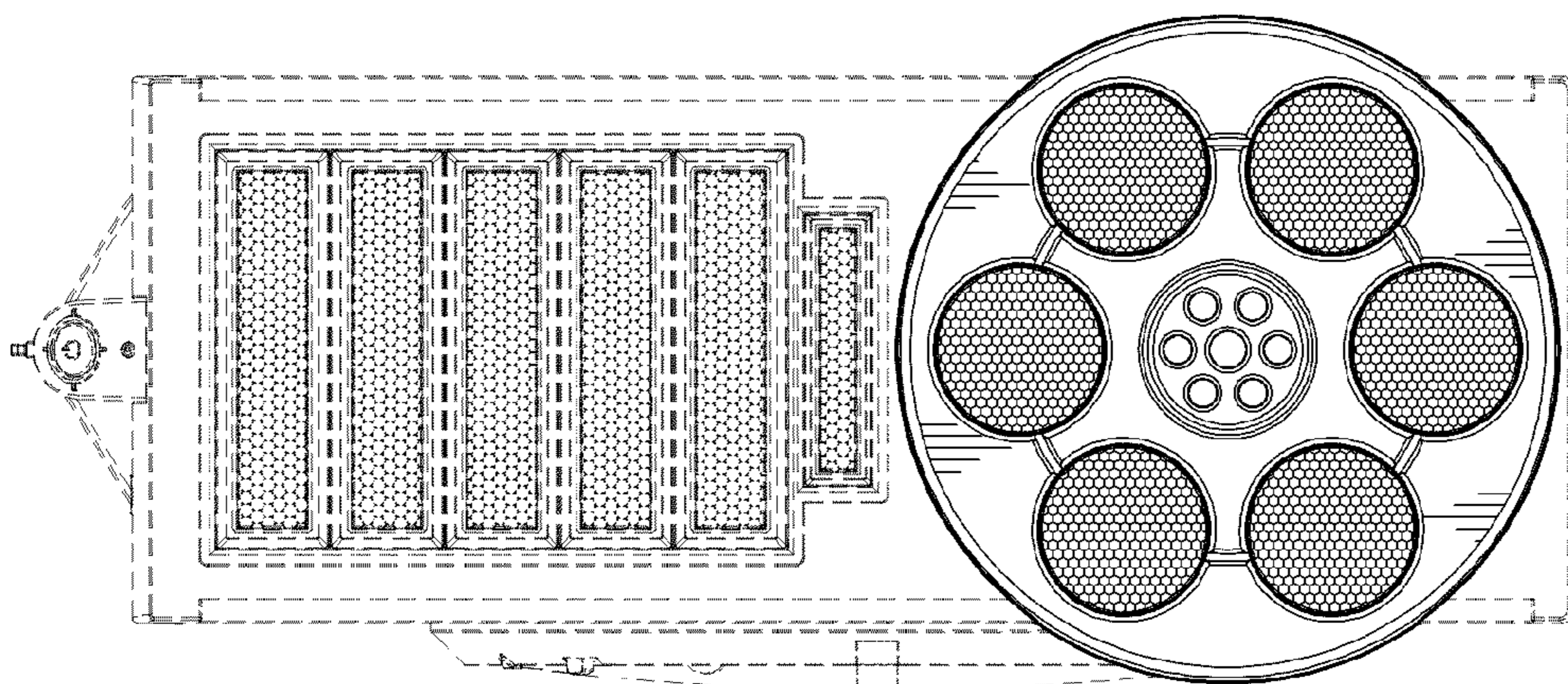


FIG. 2

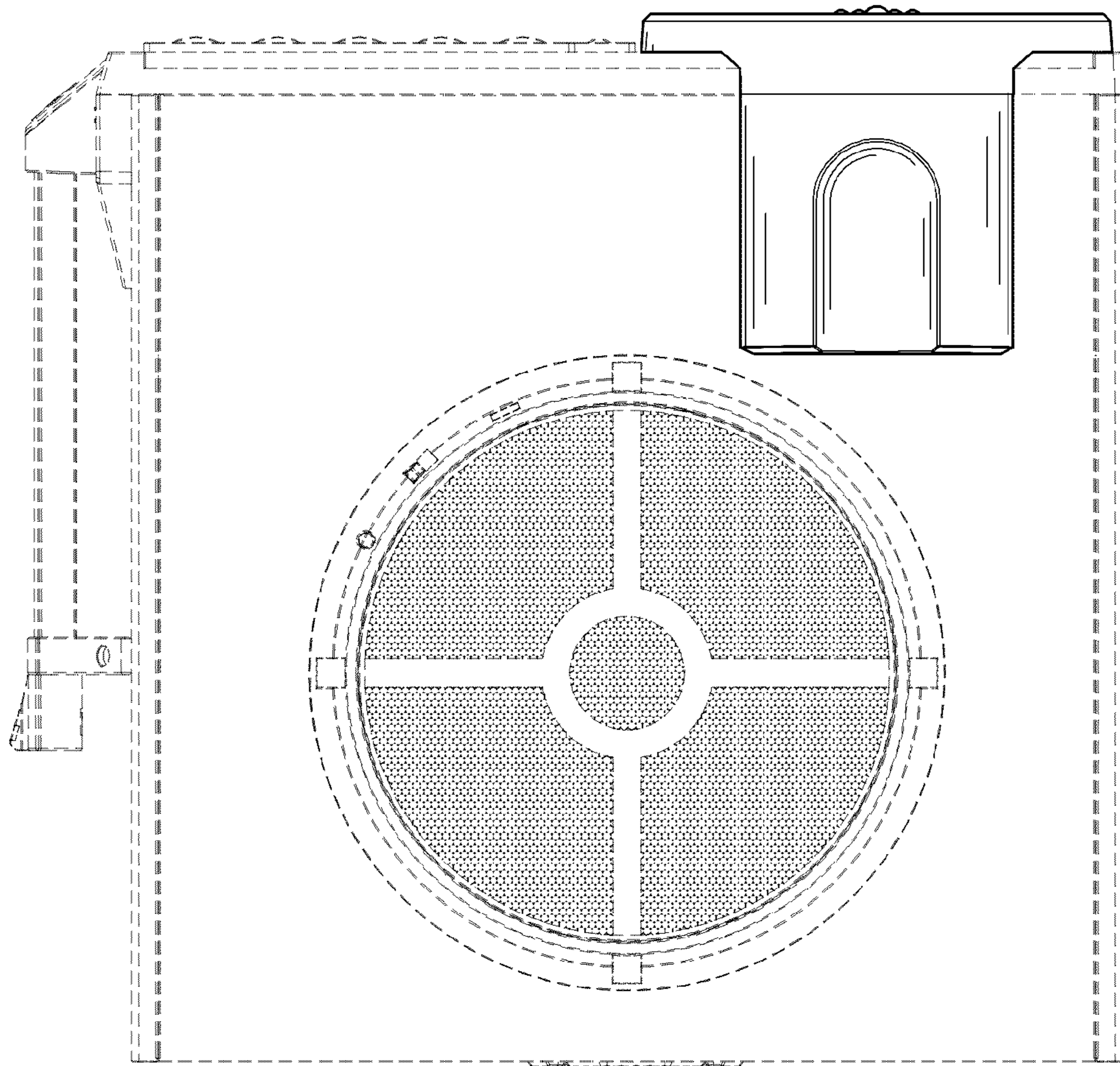


FIG. 4

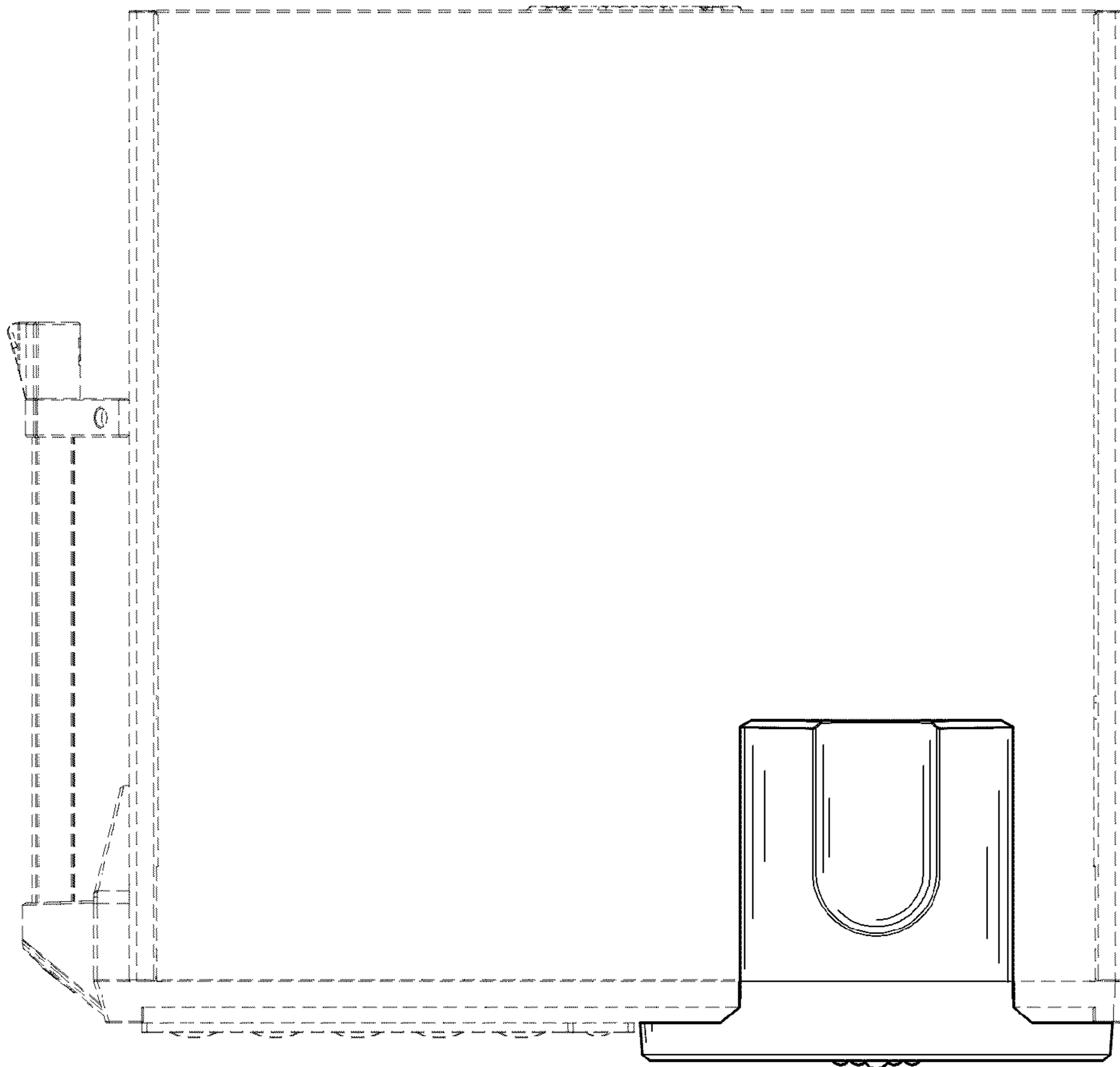


FIG. 5

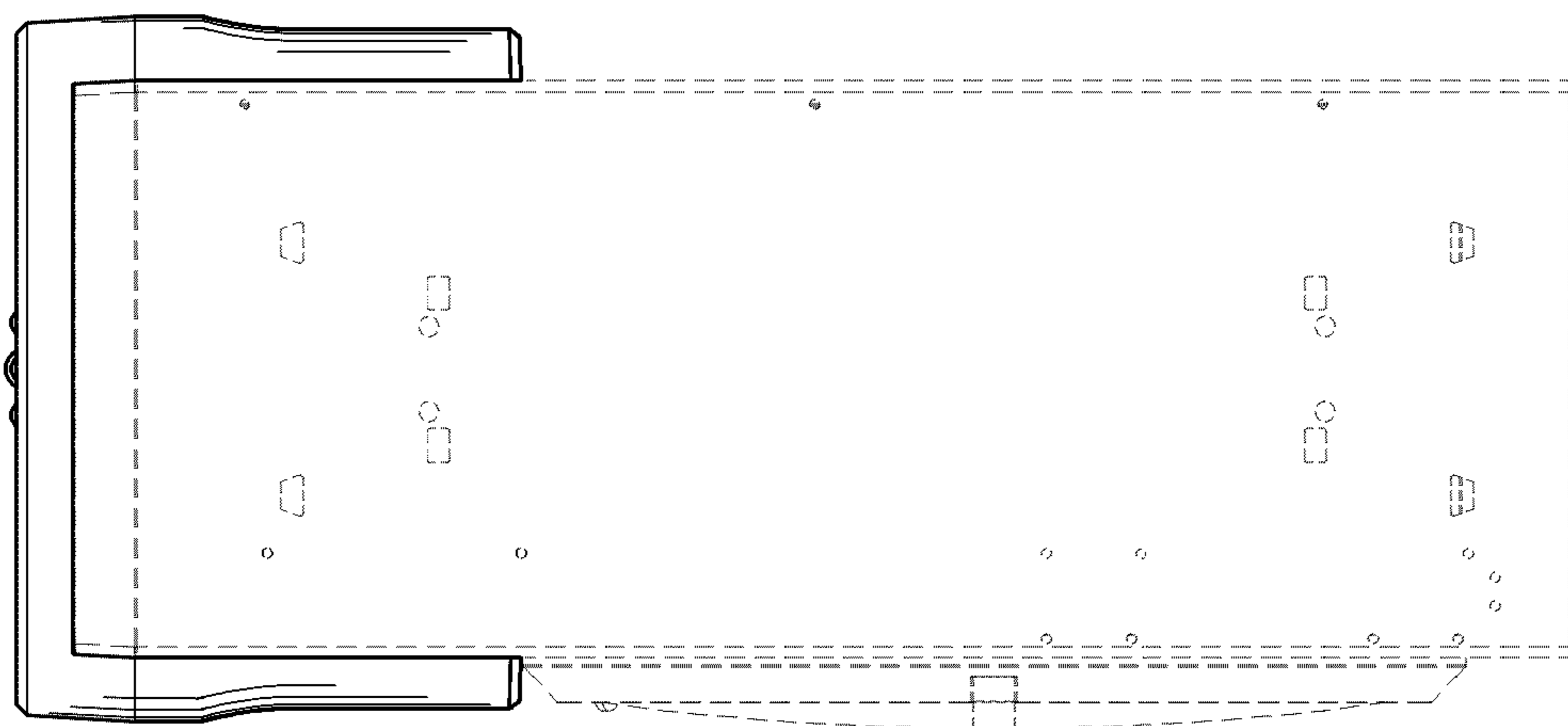


FIG. 7

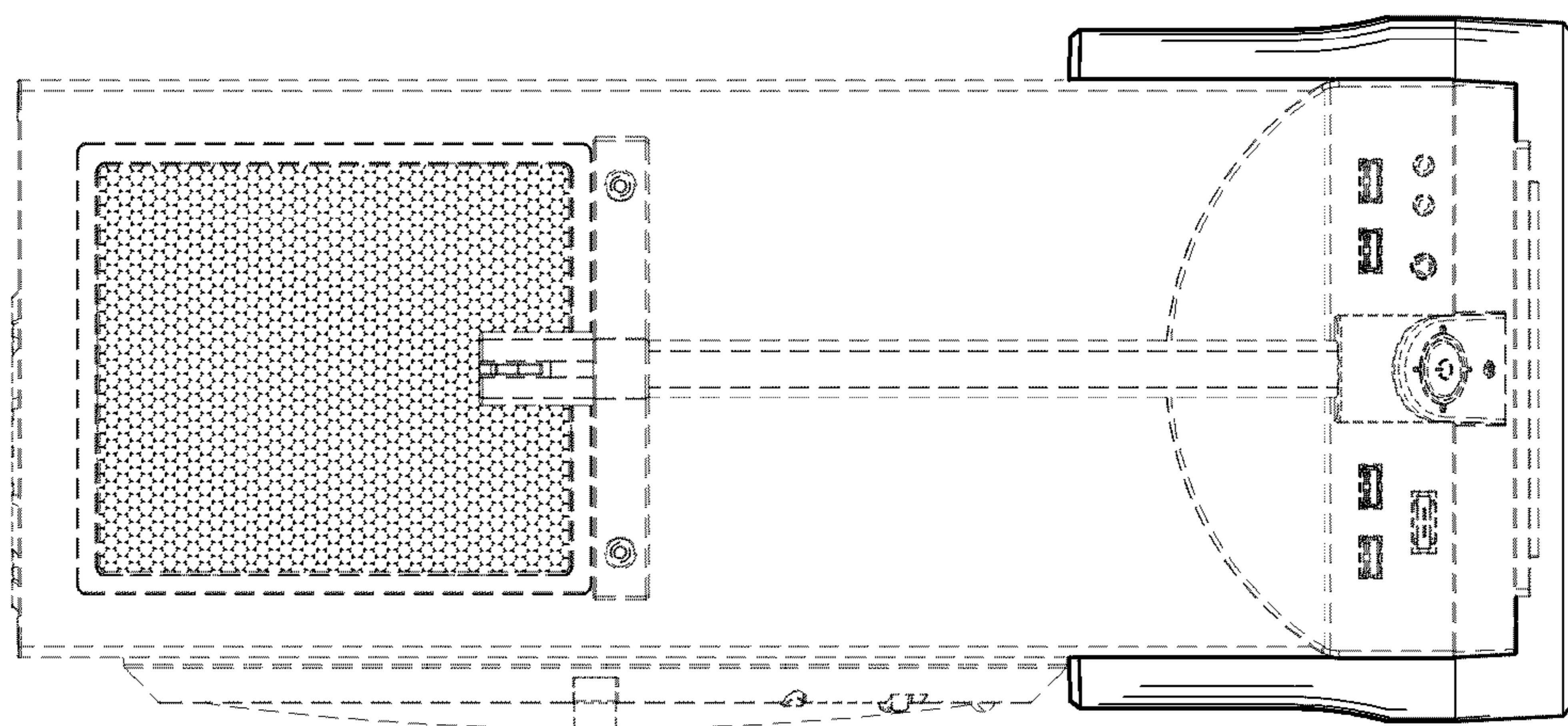


FIG. 6