



US00D589515S

(12) **United States Design Patent**
Brunner et al.

(10) **Patent No.:** **US D589,515 S**
(45) **Date of Patent:** **** Mar. 31, 2009**

(54) **WIRELESS HANDHELD CONTROLLER**

(75) Inventors: **Charles S. Brunner**, North Reading, MA (US); **Stephen K. Guerrero**, Holliston, MA (US)

(73) Assignee: **Zeenote, Inc.**, Chelmsford, MA (US)

(**) Term: **14 Years**

(21) Appl. No.: **29/296,282**

(22) Filed: **Oct. 17, 2007**

(51) **LOC (9) Cl.** **14-02**

(52) **U.S. Cl.** **D14/412**

(58) **Field of Classification Search** D14/192, D14/205, 217, 218, 356, 388, 399–401, 412–416, D14/432, 434, 454–457, 496; D21/324, D21/332, 333; 463/1, 30, 36–38, 46, 47; 345/156–161, 905; D8/349, 353, 354, 356, D8/373, 382, 394, 395

See application file for complete search history.

(56) **References Cited**

U.S. PATENT DOCUMENTS

D328,463 S *	8/1992	King et al.	D14/218
D331,058 S *	11/1992	Morales	D14/218
D362,872 S *	10/1995	Chan	D14/412
D377,797 S *	2/1997	Stropkay et al.	D14/218
D380,207 S *	6/1997	Wang et al.	D14/399
D400,885 S *	11/1998	Goto	D14/218

D466,510 S *	12/2002	Yang	D14/417
6,850,221 B1 *	2/2005	Tickle	345/158
D544,605 S *	6/2007	Gumisawa et al.	D24/186
D556,201 S *	11/2007	Ashida et al.	D14/412
D567,243 S *	4/2008	Ashida et al.	D14/412
D568,882 S *	5/2008	Ashida et al.	D14/400
D576,624 S *	9/2008	Ashida et al.	D14/400
D577,025 S *	9/2008	Ashida et al.	D14/400

* cited by examiner

Primary Examiner—Prabhakar Deshmukh

Assistant Examiner—Keli L Hill

(74) *Attorney, Agent, or Firm*—Fish & Richardson P.C.

(57) **CLAIM**

The ornamental design for a wireless handheld controller, substantially as shown and described.

DESCRIPTION

FIG. 1 is an isometric view of the wireless handheld controller;

FIG. 2 is a left elevation view thereof;

FIG. 3 is a right elevation view thereof;

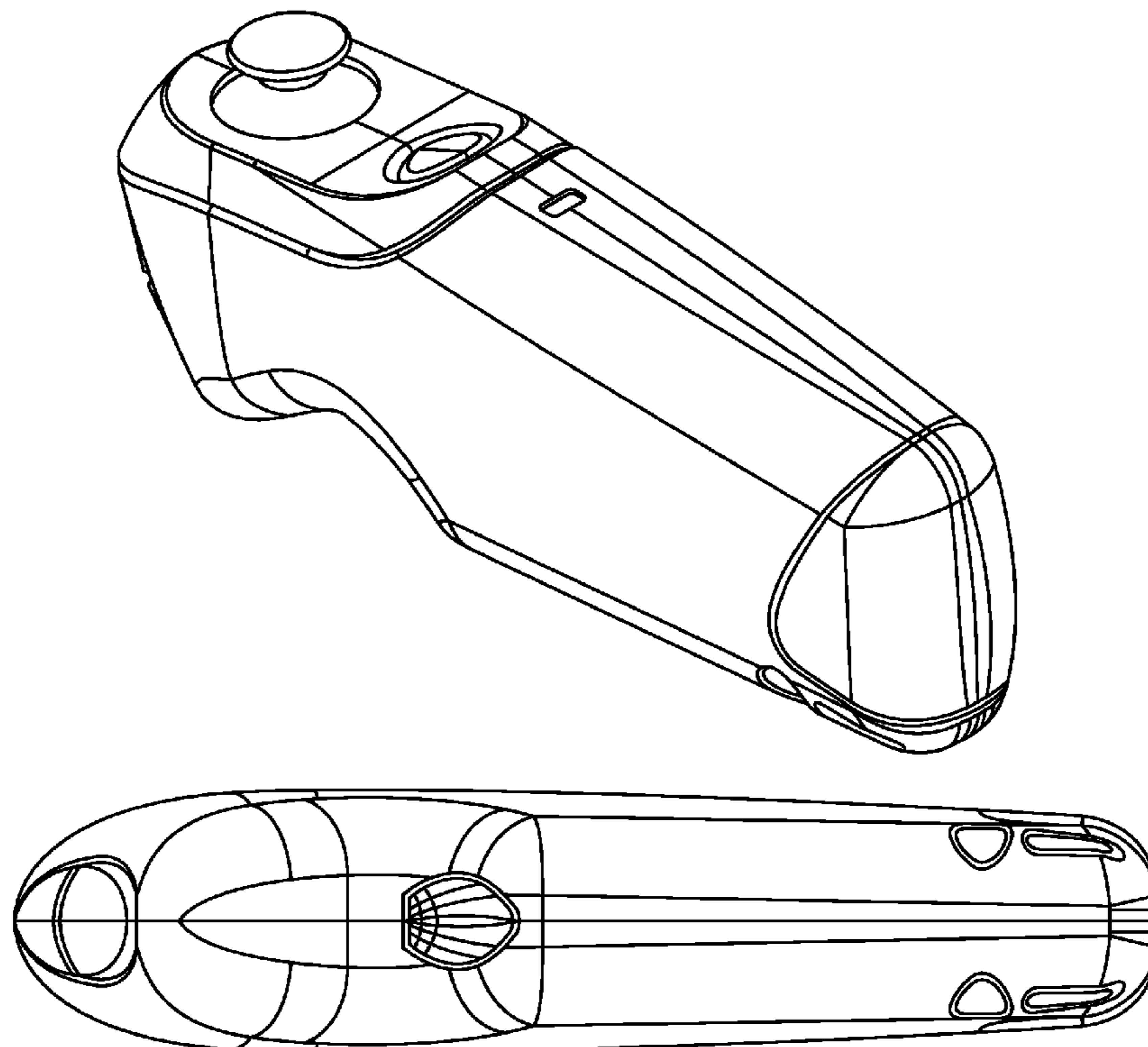
FIG. 4 is a top plan view thereof;

FIG. 5 is a bottom plan view thereof;

FIG. 6 is a front view thereof; and,

FIG. 7 is a back view thereof.

1 Claim, 4 Drawing Sheets



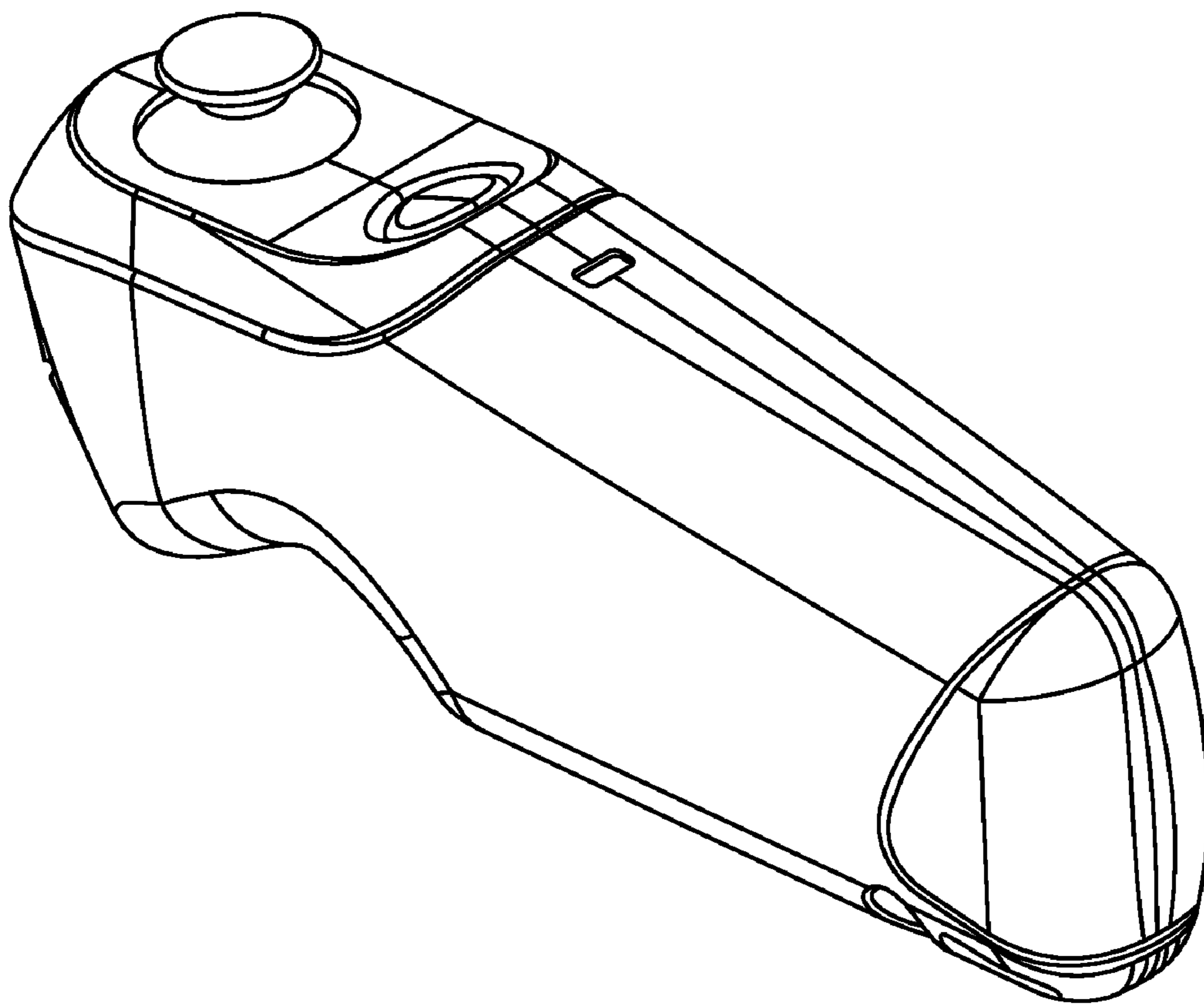


FIG. 1

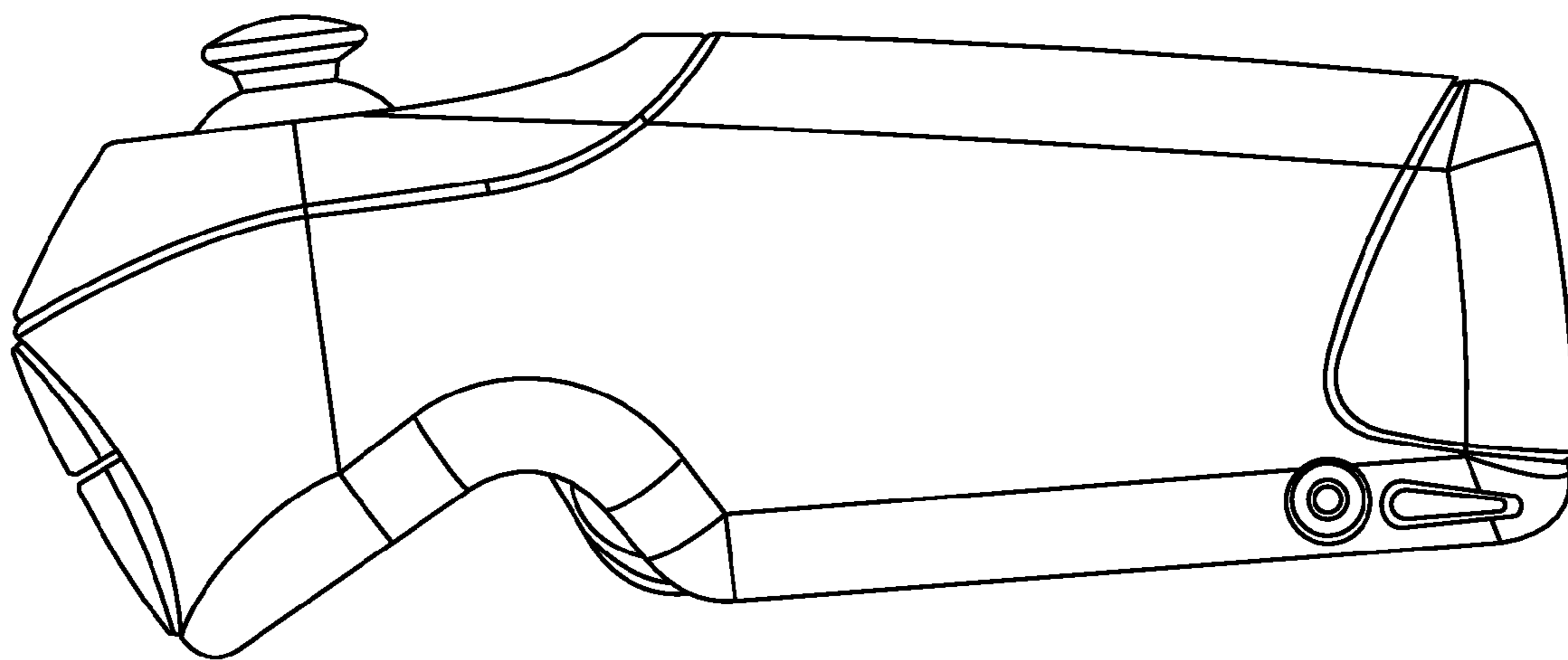


FIG. 2

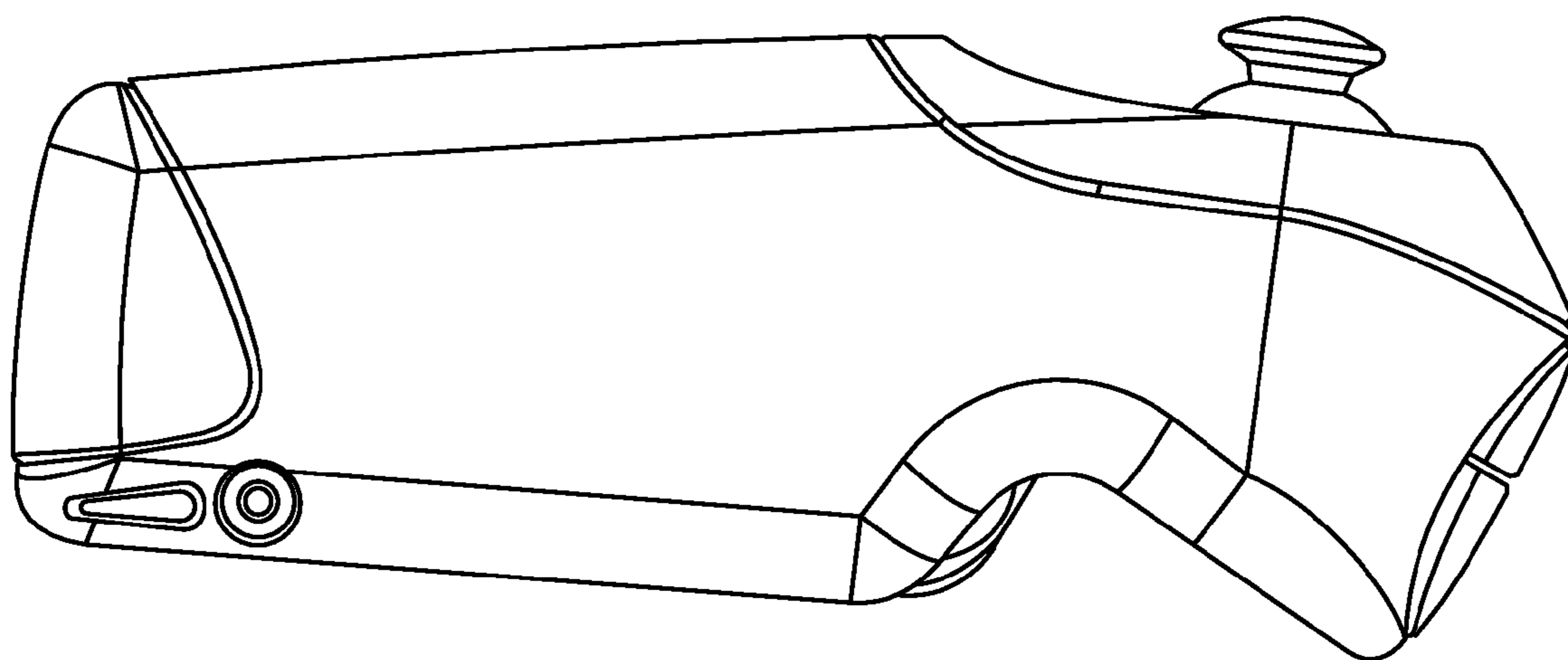


FIG. 3

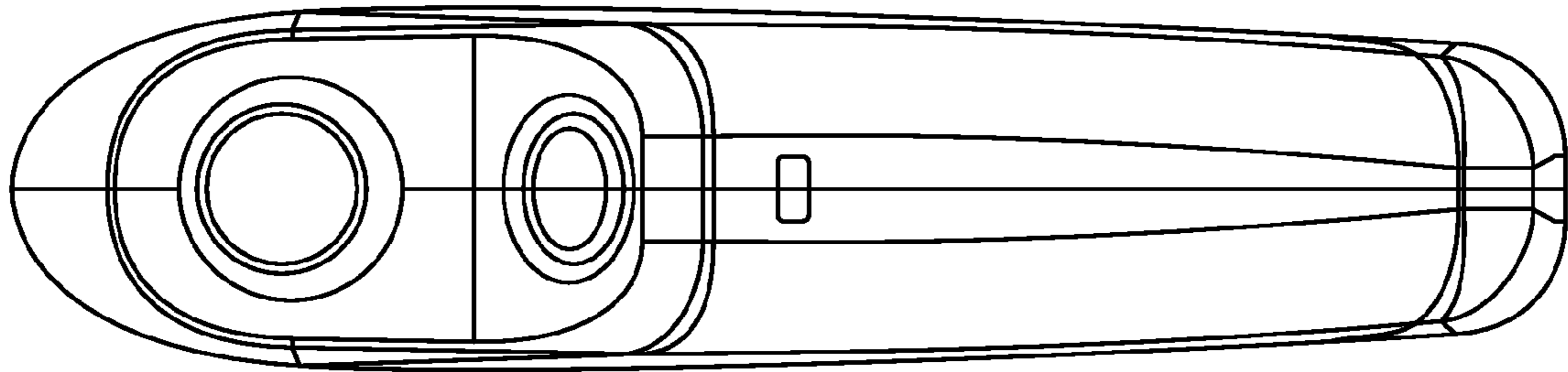


FIG. 4

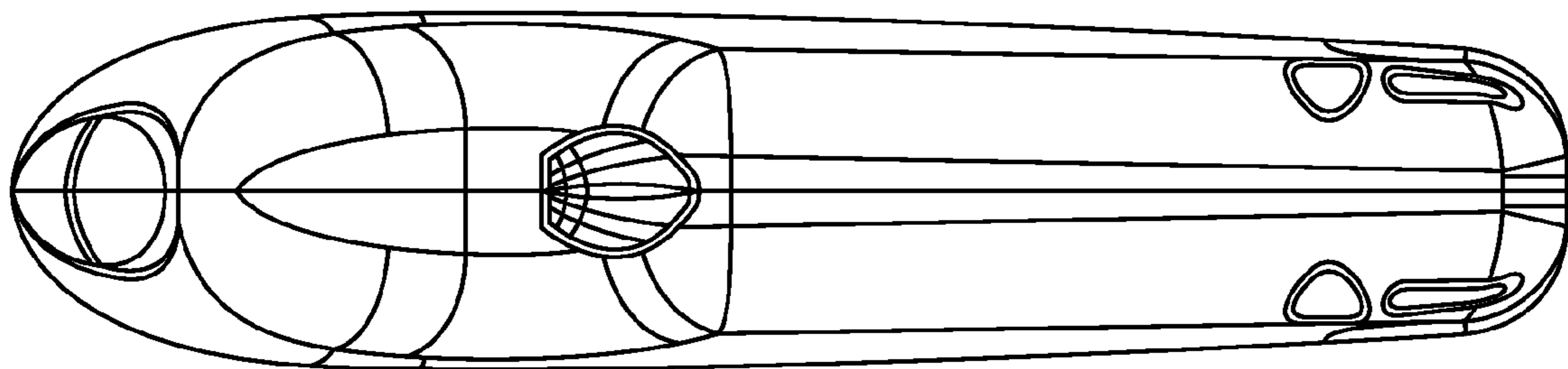


FIG. 5

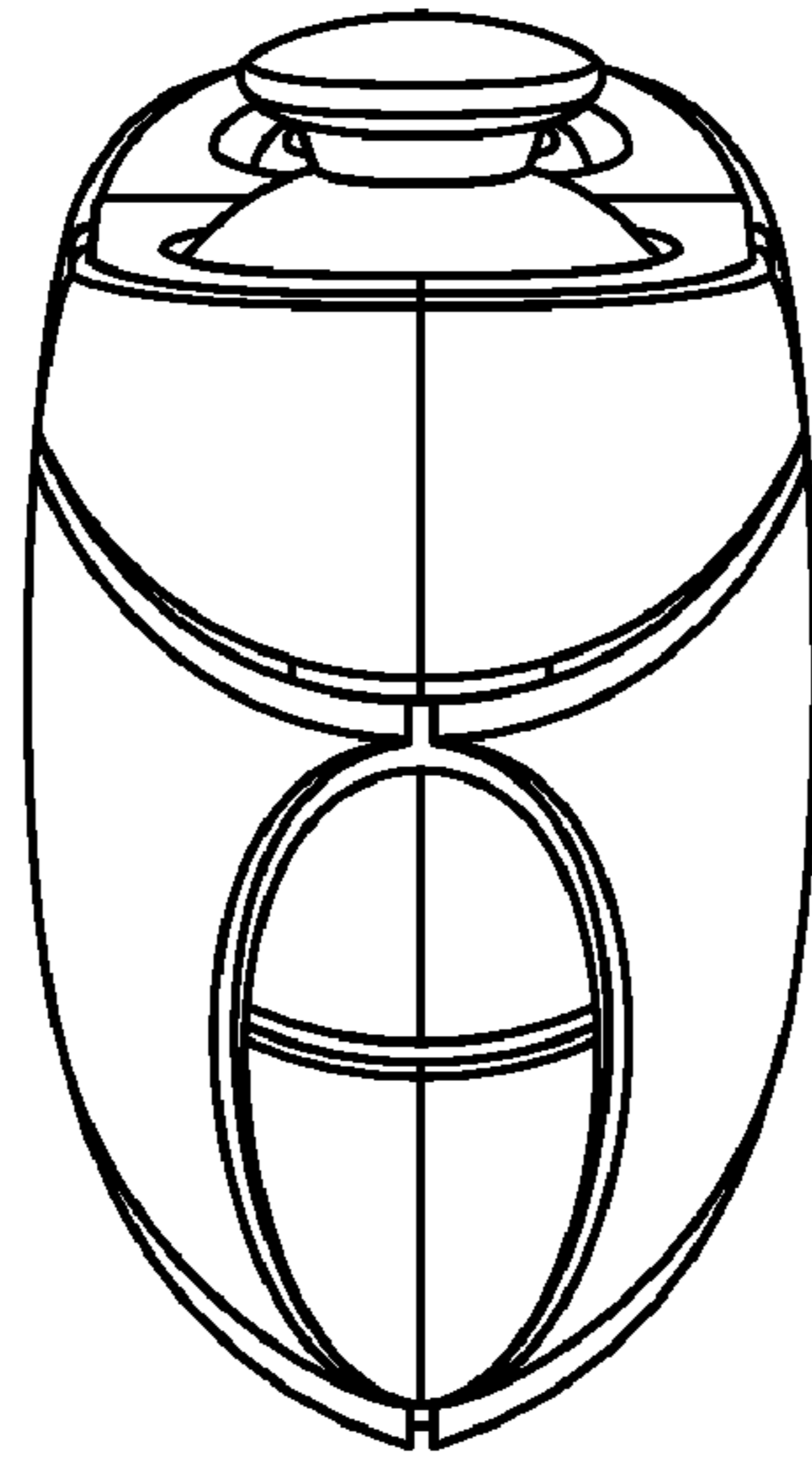


FIG. 6

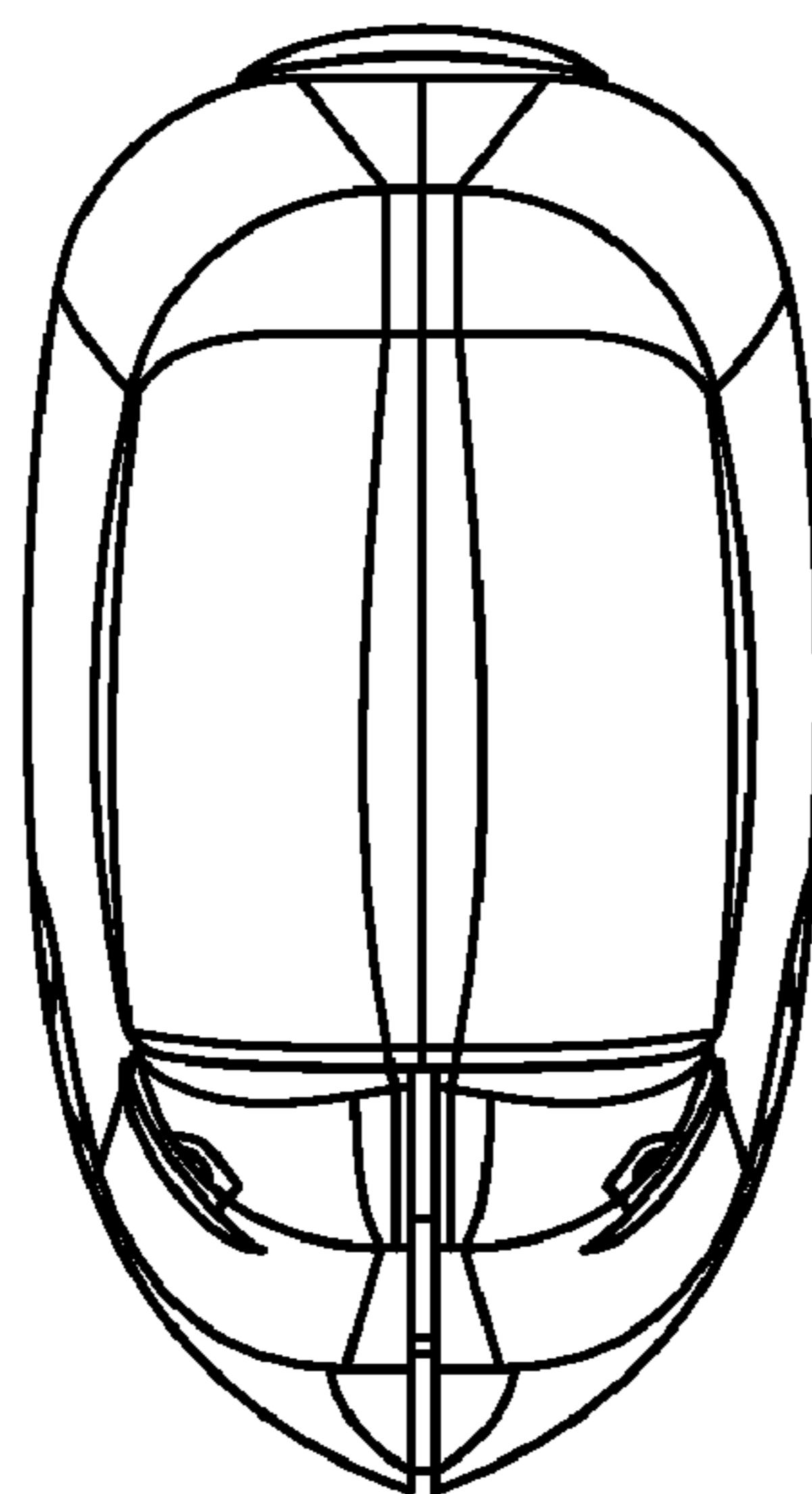


FIG. 7