



US00D589513S

(12) **United States Design Patent**
Chatterjee et al.

(10) **Patent No.:** **US D589,513 S**
(45) **Date of Patent:** **** Mar. 31, 2009**

(54) **ELECTRONIC MOUSE**

D552,092 S * 10/2007 Fisher et al. D14/402

(75) Inventors: **Monique Chatterjee**, Seattle, WA (US);
Steven W. Fisher, Edmonds, WA (US)

* cited by examiner

(73) Assignee: **Microsoft Corporation**, Redmond, WA (US)

Primary Examiner—Pamela J Burgess
(74) *Attorney, Agent, or Firm*—Banner & Witcoff, Ltd.

(**) Term: **14 Years**

(57) **CLAIM**

(21) Appl. No.: **29/306,479**

The ornamental design for an electronic mouse, as shown and described.

(22) Filed: **Apr. 10, 2008**

DESCRIPTION

(51) **LOC (9) Cl.** **14-02**

(52) **U.S. Cl.** **D14/402**

(58) **Field of Classification Search** D14/402–410,
D14/417; 235/472.01; 345/156–167; 365/49;
463/36–38; 200/5 A, 5 R, 6 A, 6 R; 273/148 B;
D21/333

See application file for complete search history.

FIG. 1 is a rear perspective view of an electronic mouse showing our new design;

FIG. 2 is a top view thereof;

FIG. 3 is a front view thereof;

FIG. 4 is a rear view thereof;

FIG. 5 is a right side view thereof;

FIG. 6 is a left side view thereof;

FIG. 7 is a bottom view thereof;

FIG. 8 is a rear perspective view of an alternative embodiment of an electronic mouse showing our new design;

FIG. 9 is a top view thereof;

FIG. 10 is a front view thereof;

FIG. 11 is a rear view thereof;

FIG. 12 is a right side view thereof;

FIG. 13 is a left side view thereof; and,

FIG. 14 is a bottom view thereof.

The broken line showing of various regions and the unshaded areas there within in FIGS. 1–3 and 5–7 form no part of the claimed design.

(56) **References Cited**

U.S. PATENT DOCUMENTS

D431,567 S *	10/2000	You	D14/408
D437,852 S *	2/2001	Ledbetter et al.	D14/402
D460,072 S *	7/2002	Sheehan	D14/408
D467,925 S *	12/2002	Hu et al.	D14/408
D471,198 S *	3/2003	Guo et al.	D14/402
D474,769 S *	5/2003	Fisher et al.	D14/408
D479,529 S *	9/2003	Sheehan et al.	D14/408
D481,391 S *	10/2003	Lee et al.	D14/408
6,650,316 B2 *	11/2003	Su	345/163
D494,972 S *	8/2004	Chen	D14/402
D504,133 S *	4/2005	Canavan et al.	D14/402
D528,118 S *	9/2006	Canavan et al.	D14/407

1 Claim, 10 Drawing Sheets





FIG. 1

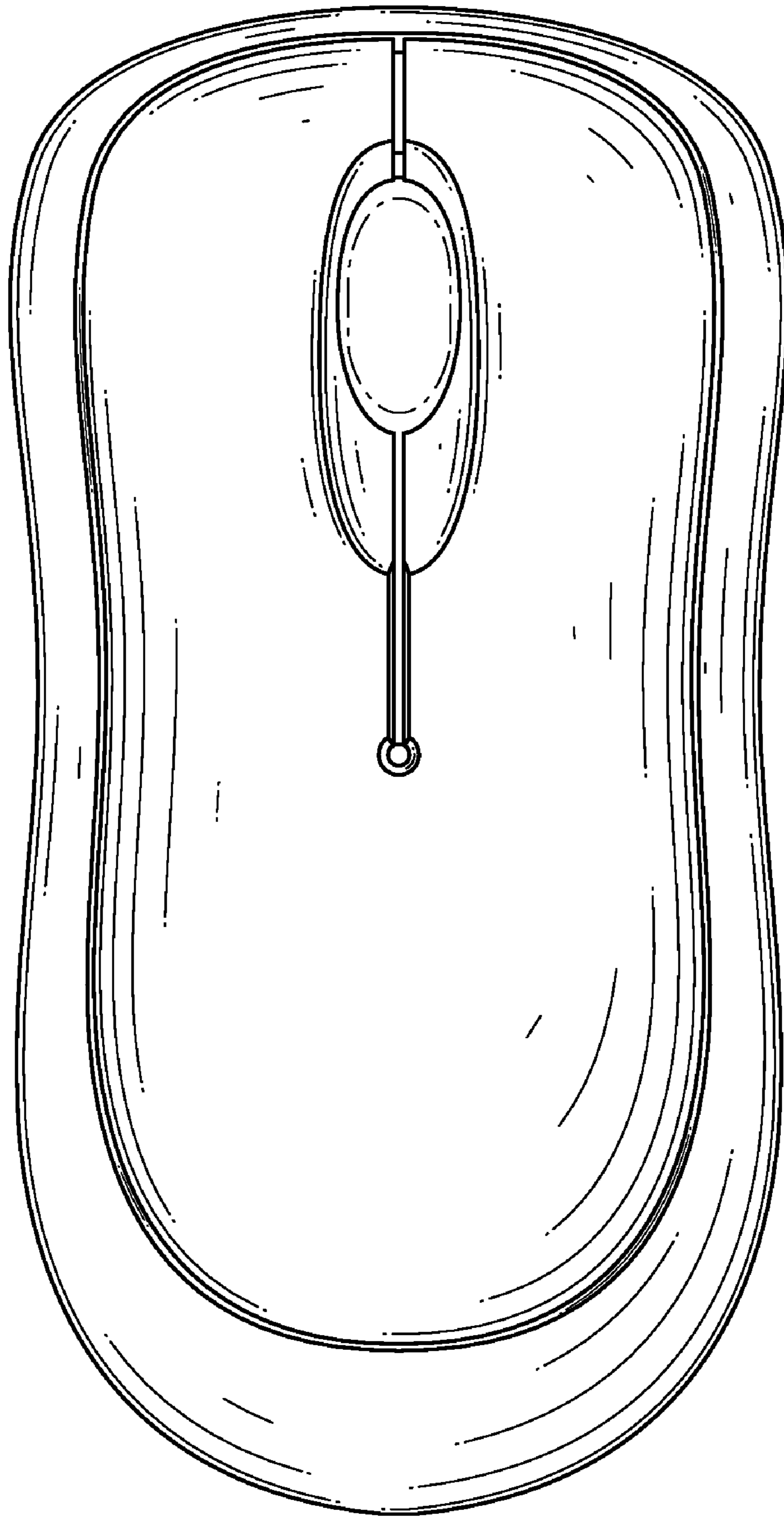


FIG. 2

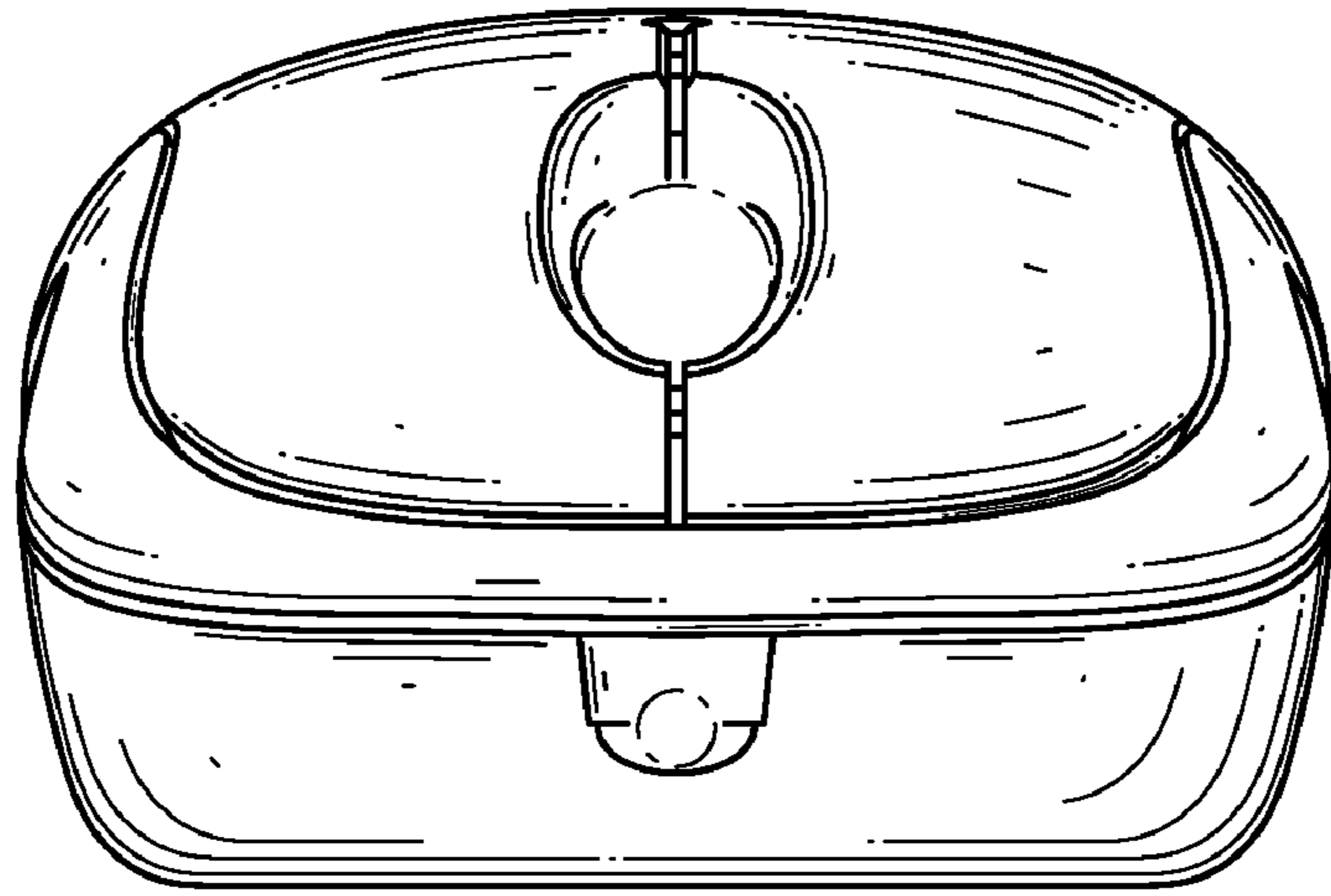


FIG. 3

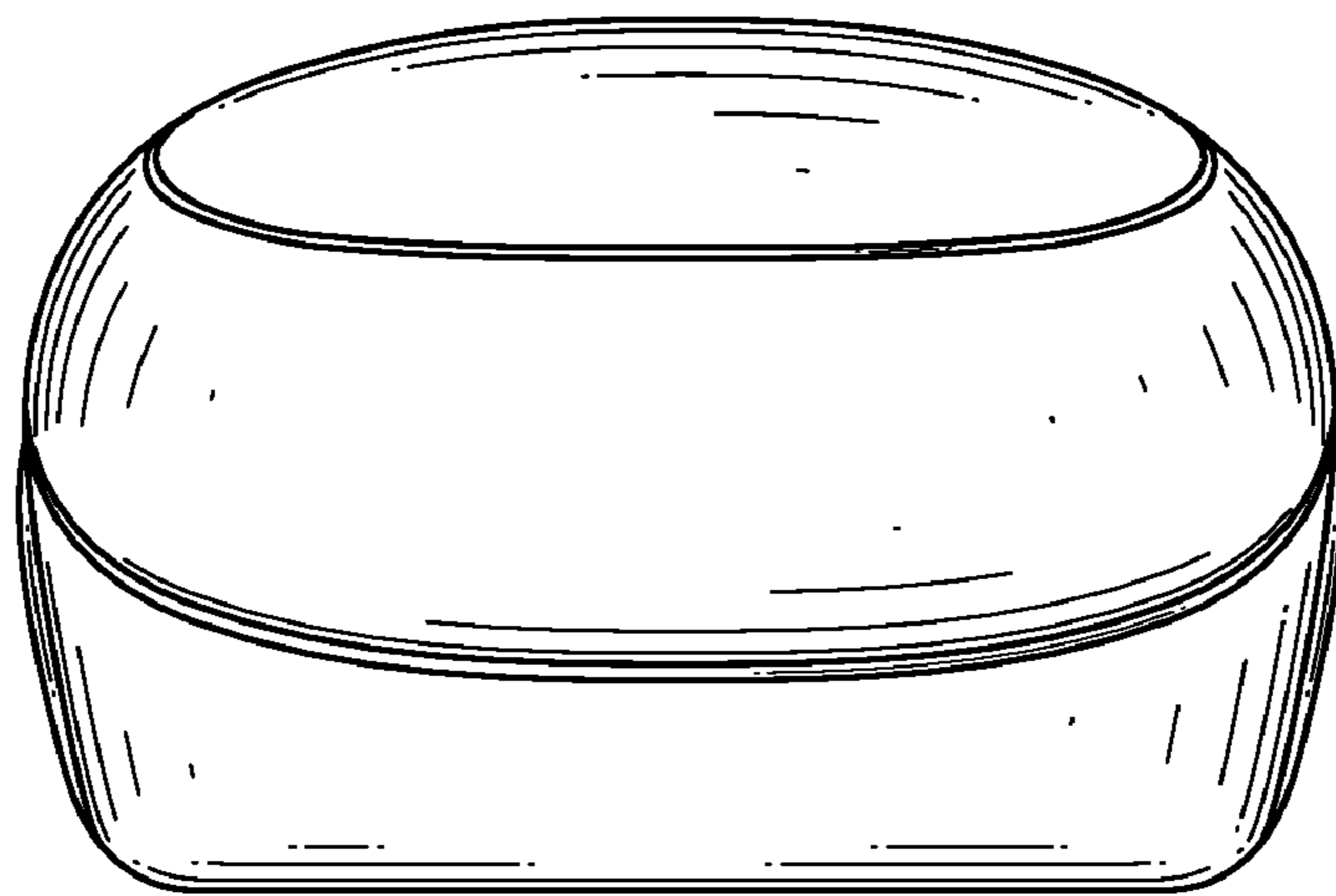


FIG. 4

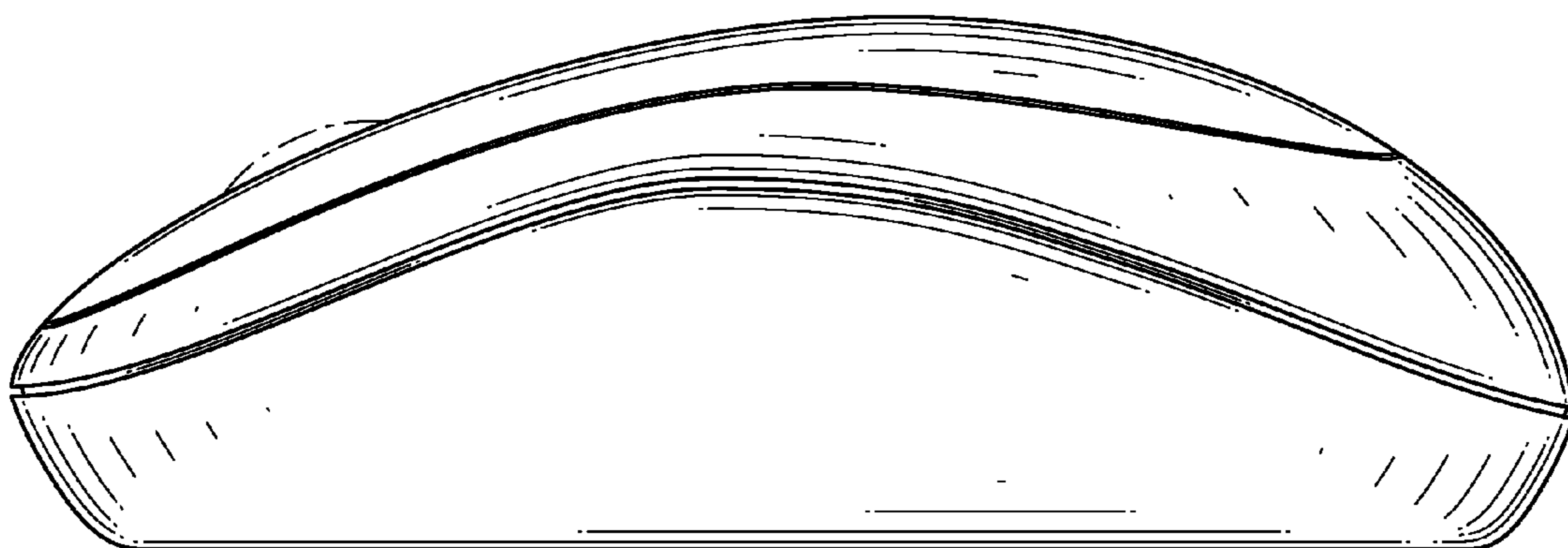


FIG. 5

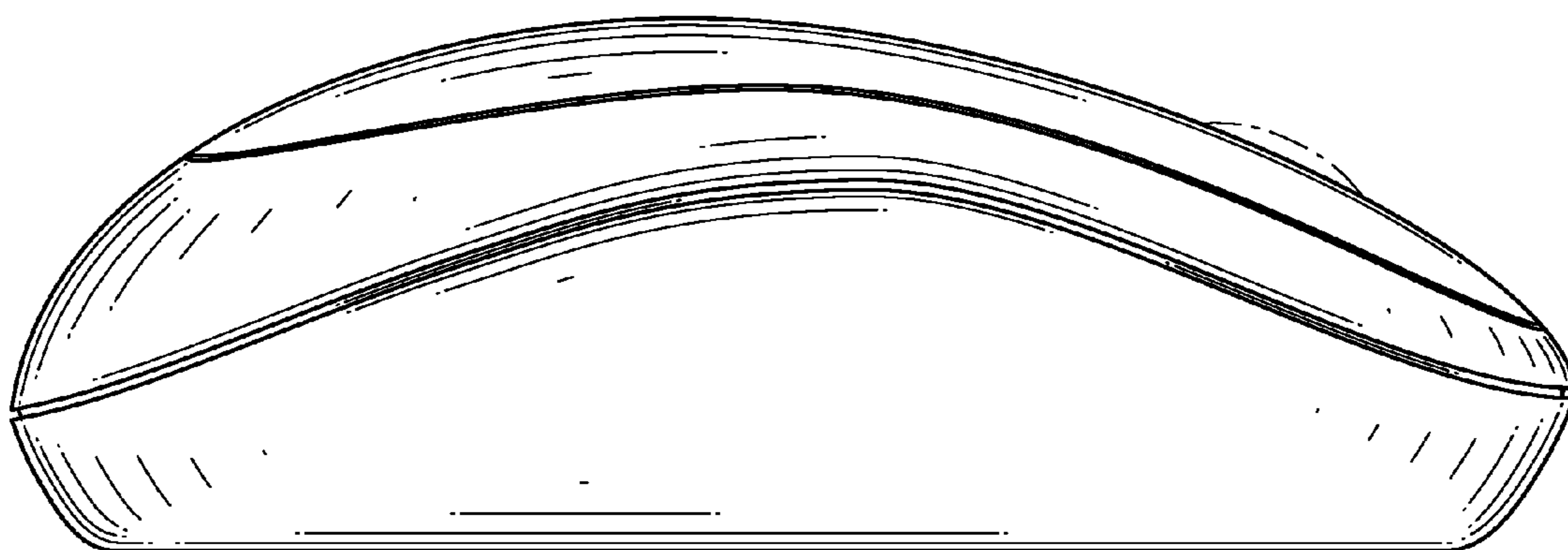


FIG. 6

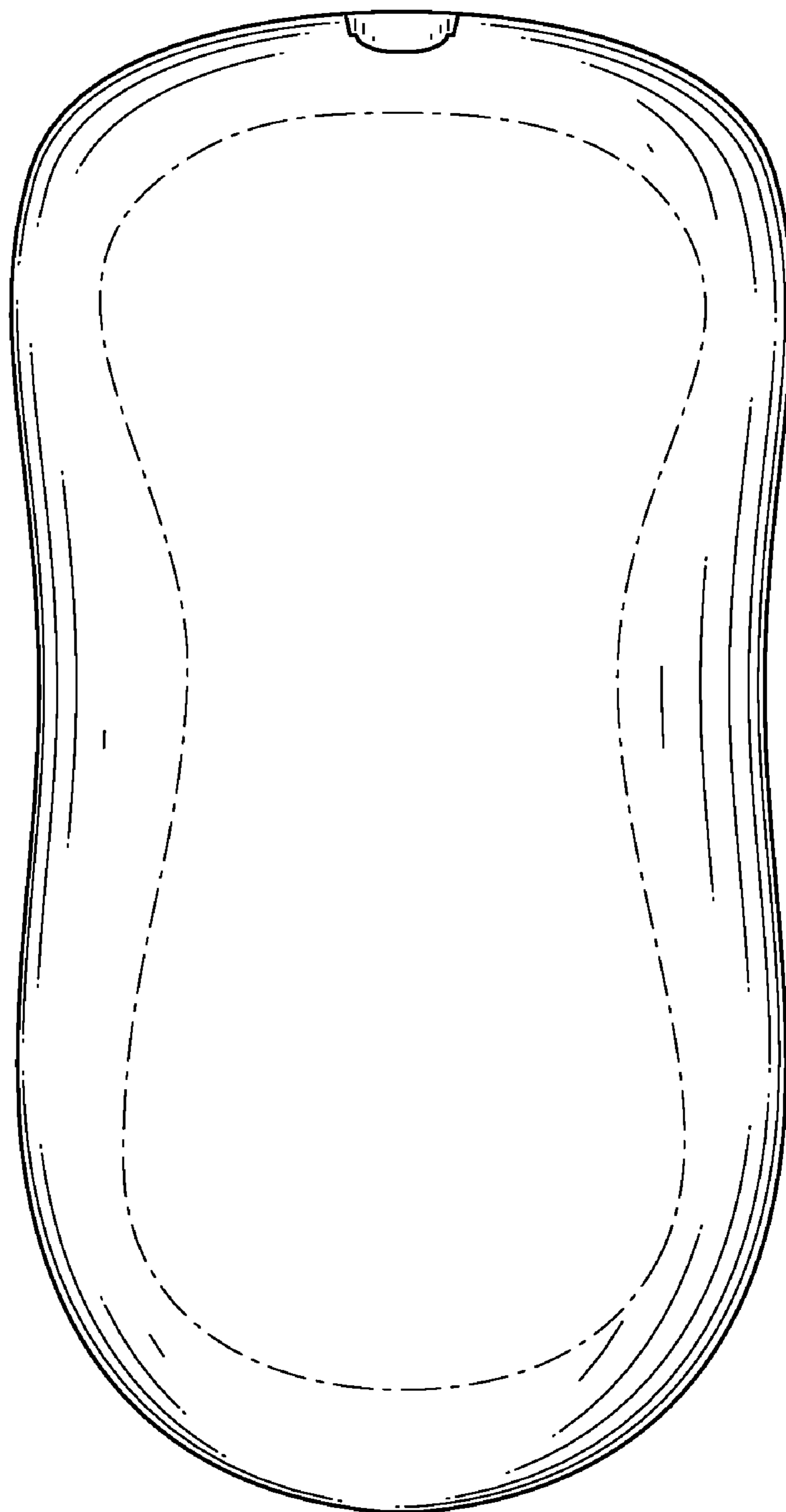


FIG. 7

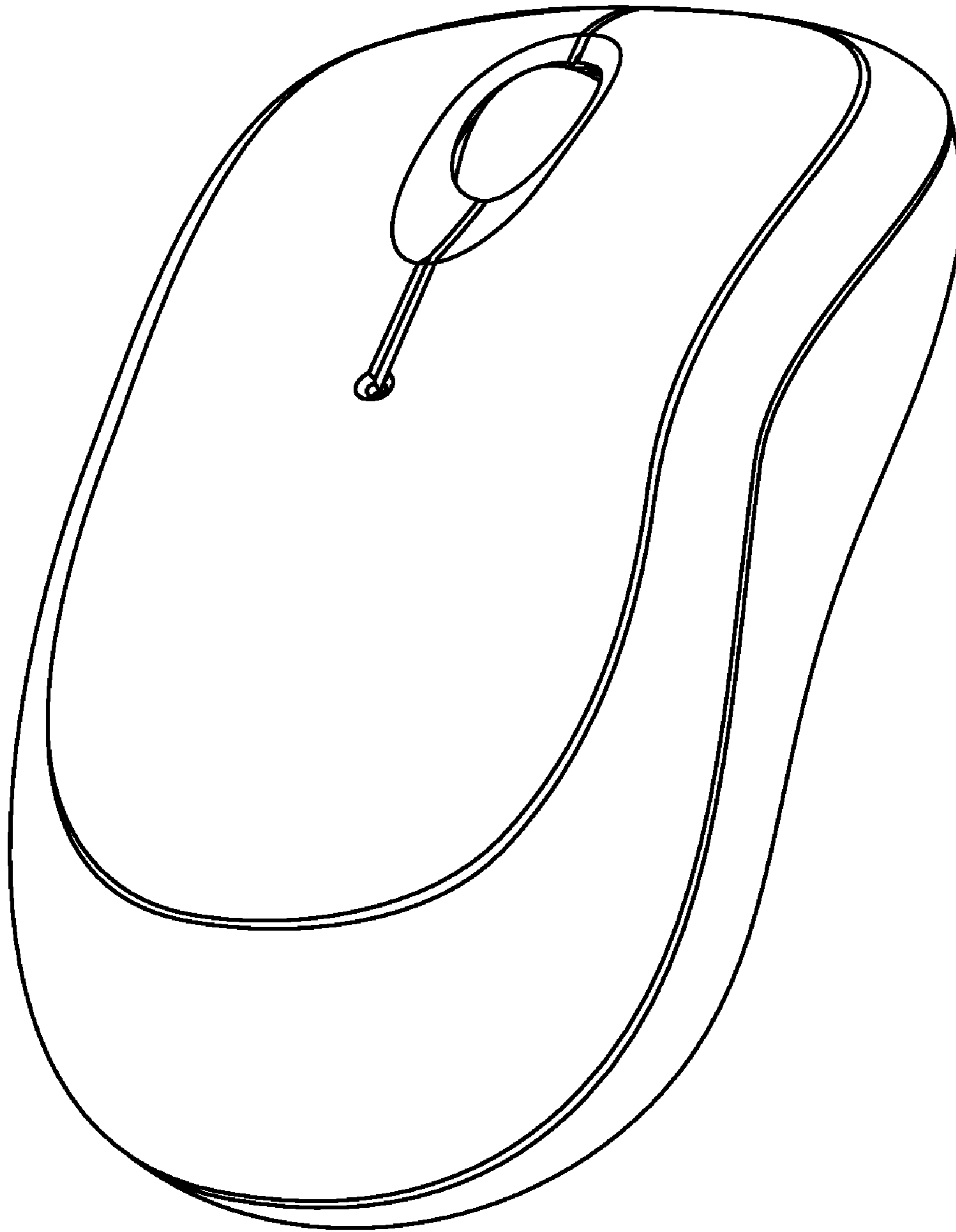


FIG. 8

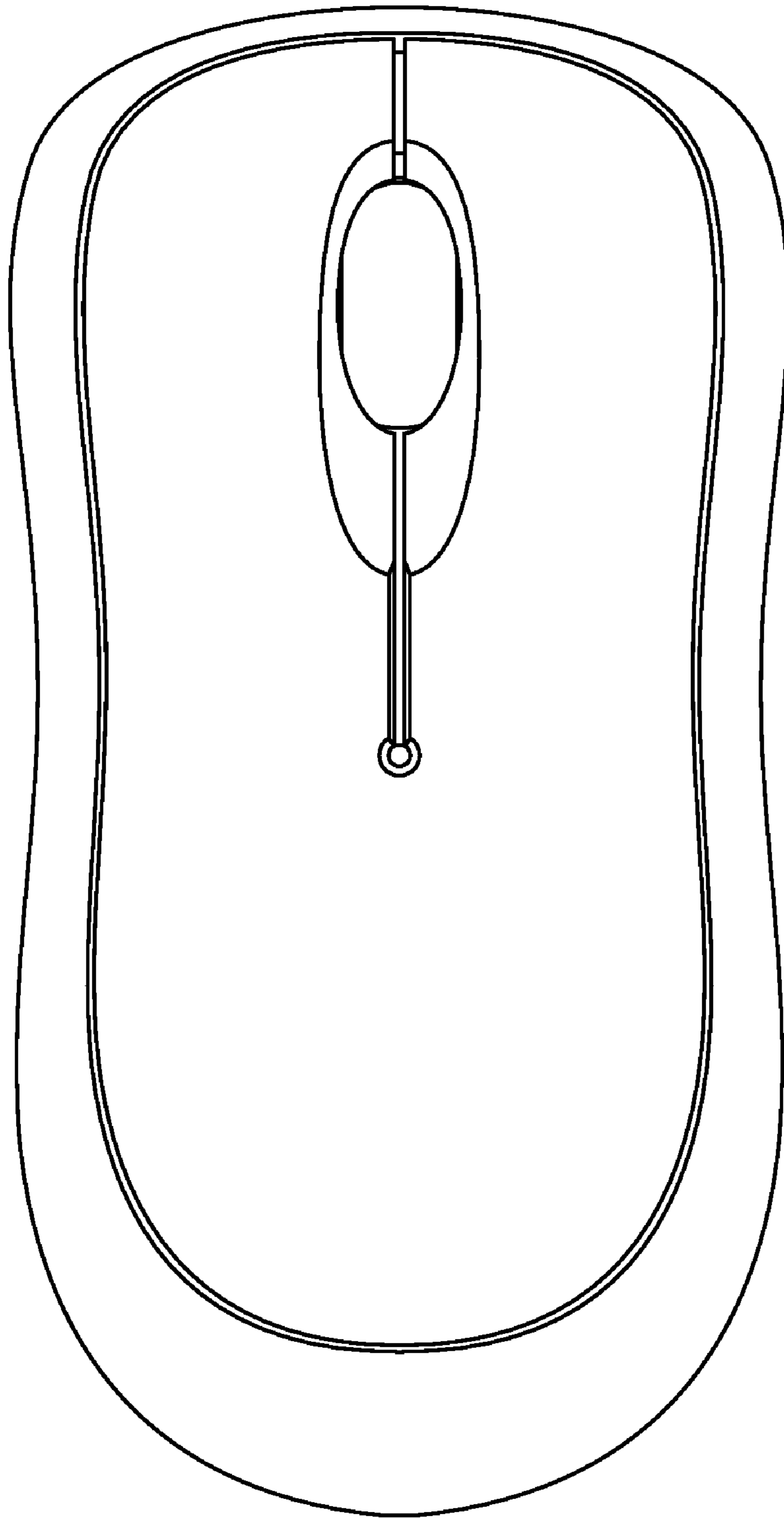


FIG. 9

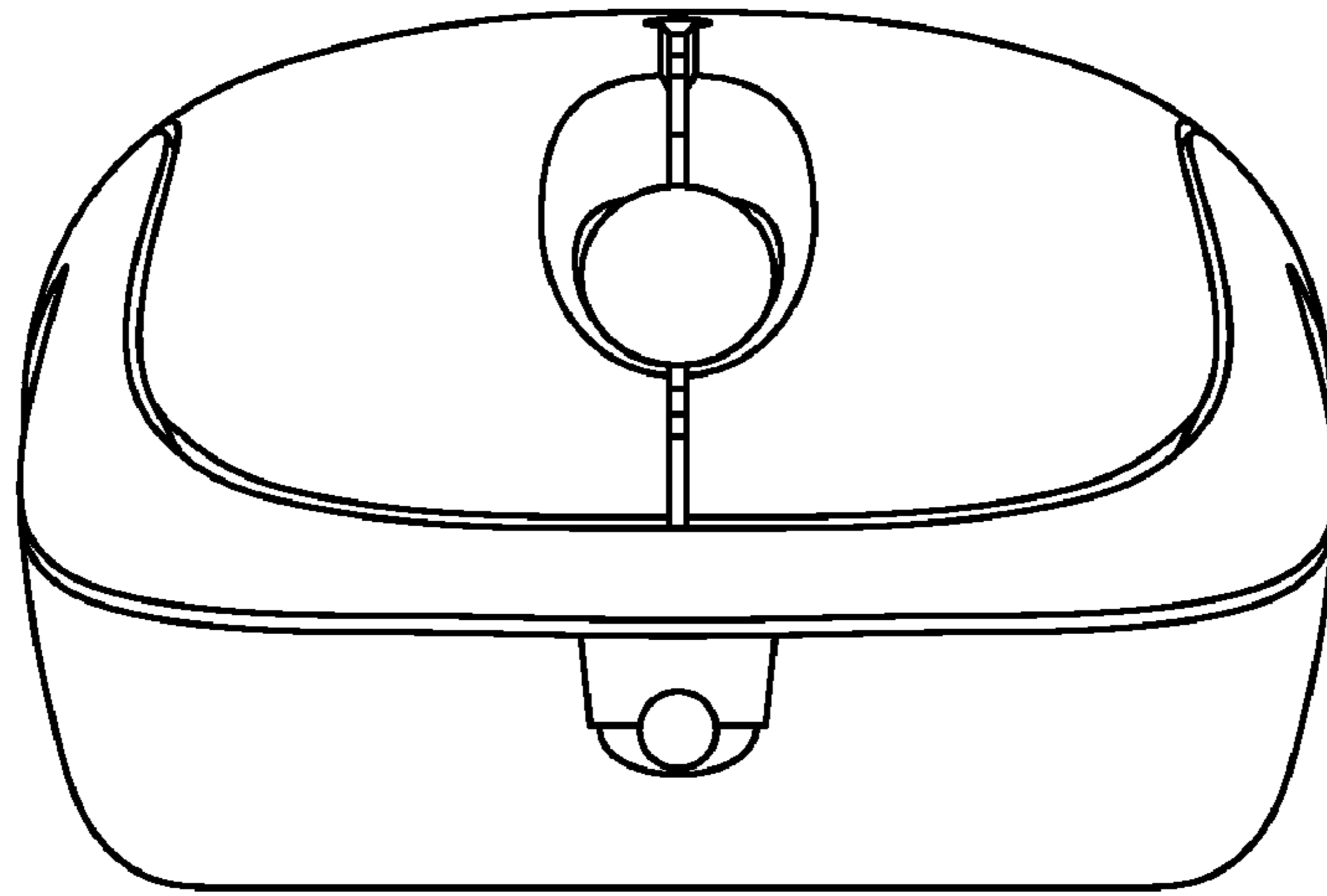


FIG. 10

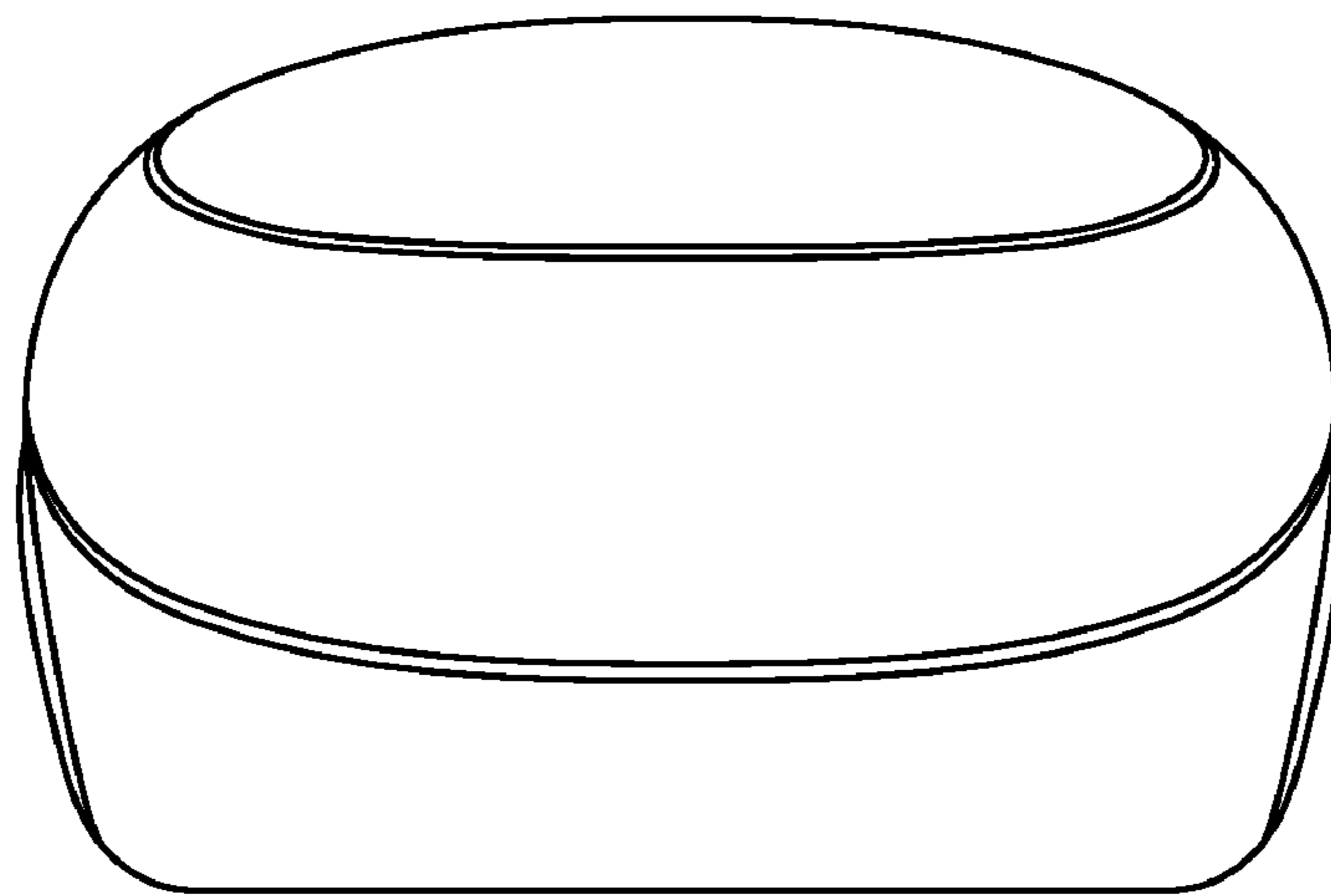


FIG. 11

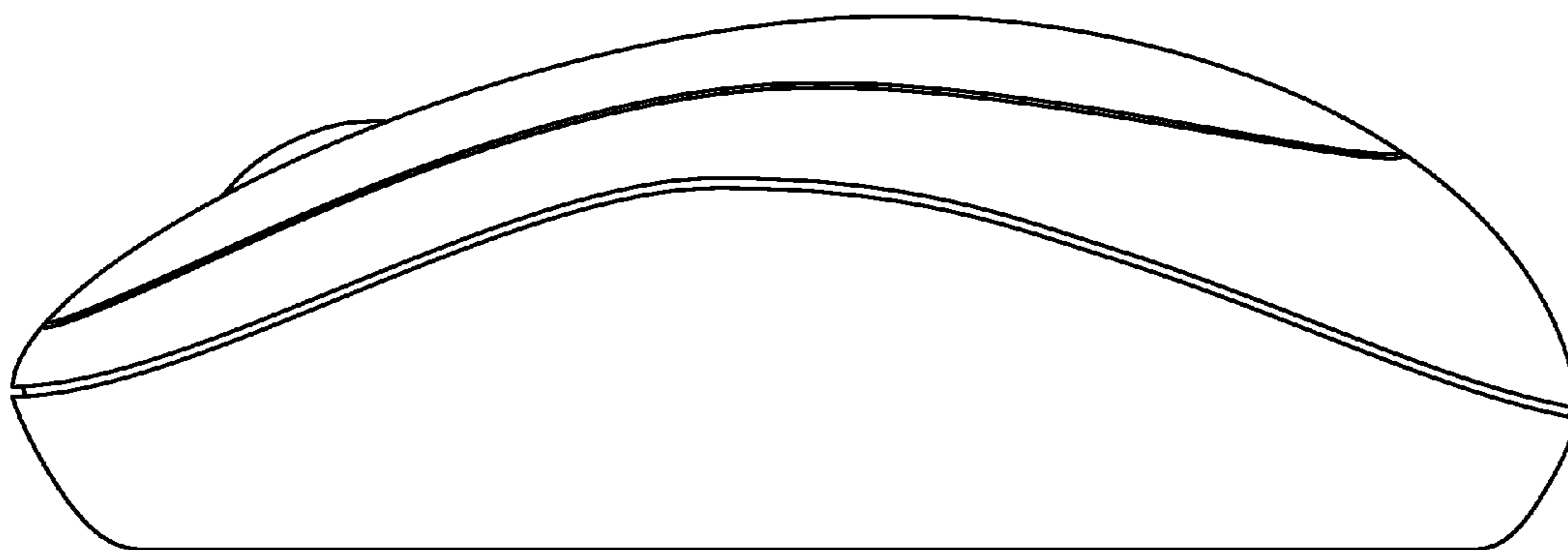


FIG. 12

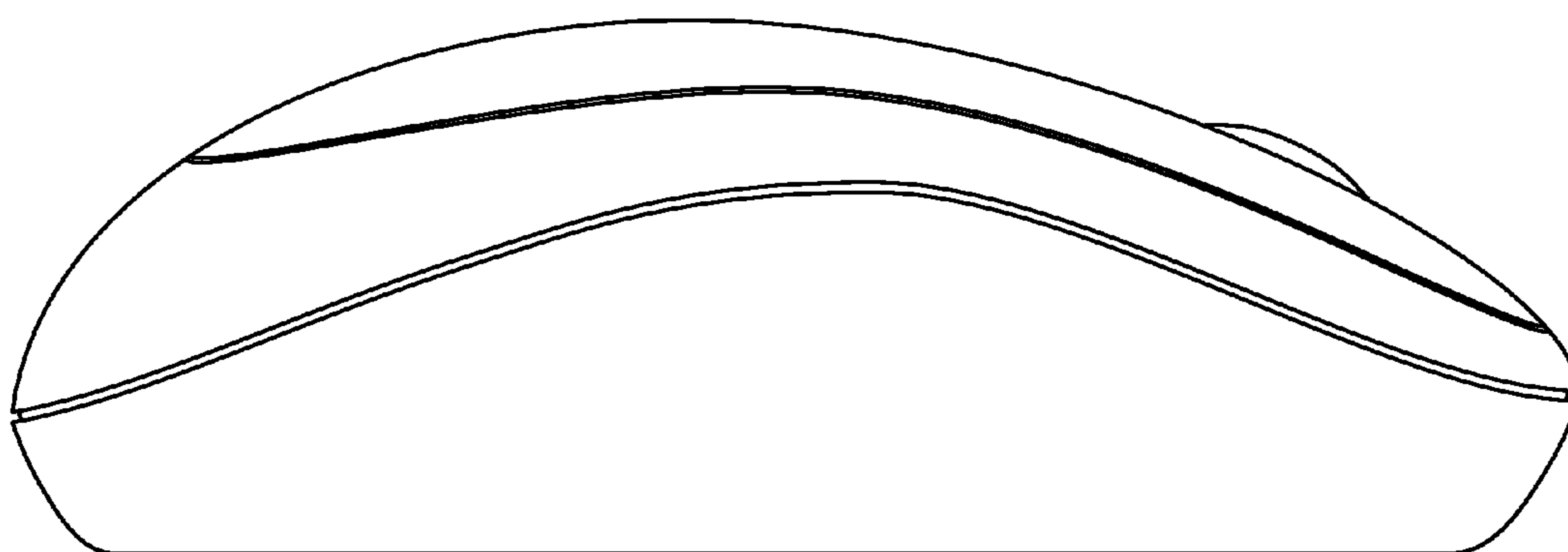


FIG. 13

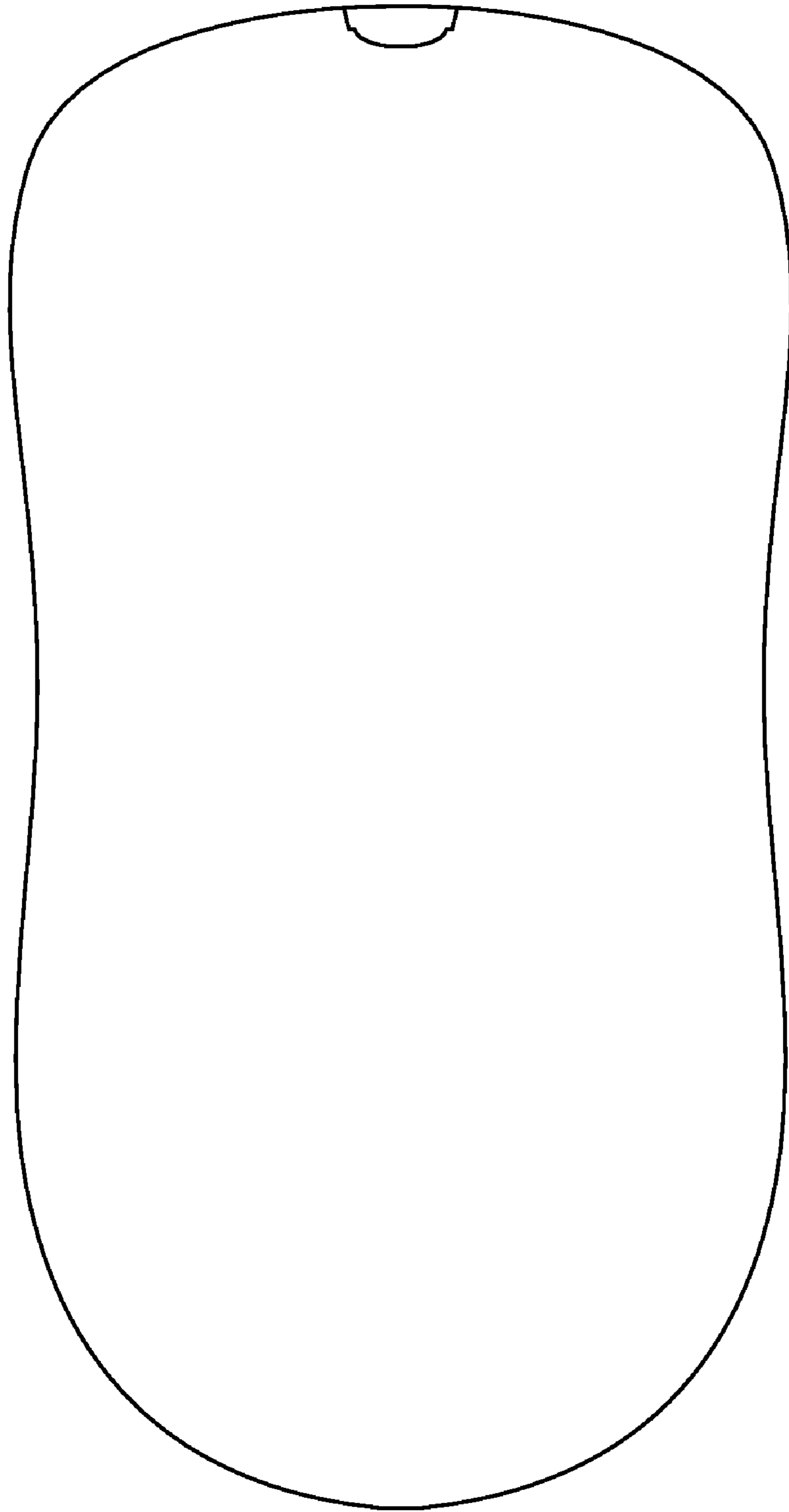


FIG. 14