



US00D589510S

(12) **United States Design Patent**  
**Wada**

(10) **Patent No.:** **US D589,510 S**  
(45) **Date of Patent:** **\*\* Mar. 31, 2009**

(54) **DISPLAY**

(75) Inventor: **Takayuki Wada**, Tokyo (JP)

(73) Assignee: **Sony Corporation**, Tokyo (JP)

(\*\*) Term: **14 Years**

(21) Appl. No.: **29/300,046**

(22) Filed: **Feb. 14, 2008**

(51) **LOC (9) Cl.** ..... **14-02**

(52) **U.S. Cl.** ..... **D14/371; D14/376; D14/331**

(58) **Field of Classification Search** ..... D14/371-376,  
D14/125-129, 336, 341, 132; 248/917-924;  
341/12; 345/104, 156, 173, 174, 901-905;  
348/180, 184, 325, 739, 837; 361/680-686;  
D18/12.3; D6/300; 297/217.3; 349/1, 2,  
349/11, 62

See application file for complete search history.

(56) **References Cited**

**U.S. PATENT DOCUMENTS**

D333,574 S \* 3/1993 Ackeret ..... D6/300  
D361,552 S \* 8/1995 Iino ..... D14/341  
5,507,556 A \* 4/1996 Dixon ..... 297/217.3  
D407,086 S \* 3/1999 Rosen ..... D14/132  
D412,899 S \* 8/1999 Rosen ..... D14/132  
D448,009 S \* 9/2001 Lavelle et al. .... D14/125  
D465,492 S \* 11/2002 Scribner ..... D14/375  
D467,512 S 12/2002 Miyazaki  
D490,420 S \* 5/2004 Solomon et al. .... D14/341  
D494,174 S \* 8/2004 Hsu Li ..... D14/374  
D501,185 S 1/2005 Sato et al.  
D517,029 S 3/2006 Kawasaki  
7,084,932 B1 \* 8/2006 Mathias et al. .... 348/837

7,145,769 B2 \* 12/2006 Chen ..... 361/681  
D538,800 S \* 3/2007 Zhang et al. .... D14/331  
D541,798 S \* 5/2007 Ichida et al. .... D14/371  
D550,174 S 9/2007 Deguchi

**FOREIGN PATENT DOCUMENTS**

JP D1045550 S 8/1999  
JP D1072823 S 6/2000  
JP D1086821 S 10/2000  
JP D1110337 S 6/2001  
JP D1203787 S 4/2004  
JP D1221658 S 11/2004  
JP D1264259 S 3/2006  
JP D1264663 S 3/2006

\* cited by examiner

*Primary Examiner*—Freda S Nunn

(74) *Attorney, Agent, or Firm*—Rader, Fishman & Grauer, PLLC

(57) **CLAIM**

The ornamental design for a display, as shown.

**DESCRIPTION**

FIG. 1 is a perspective view of a display showing my new design;

FIG. 2 is a front elevational view thereof;

FIG. 3 is a rear elevational view thereof;

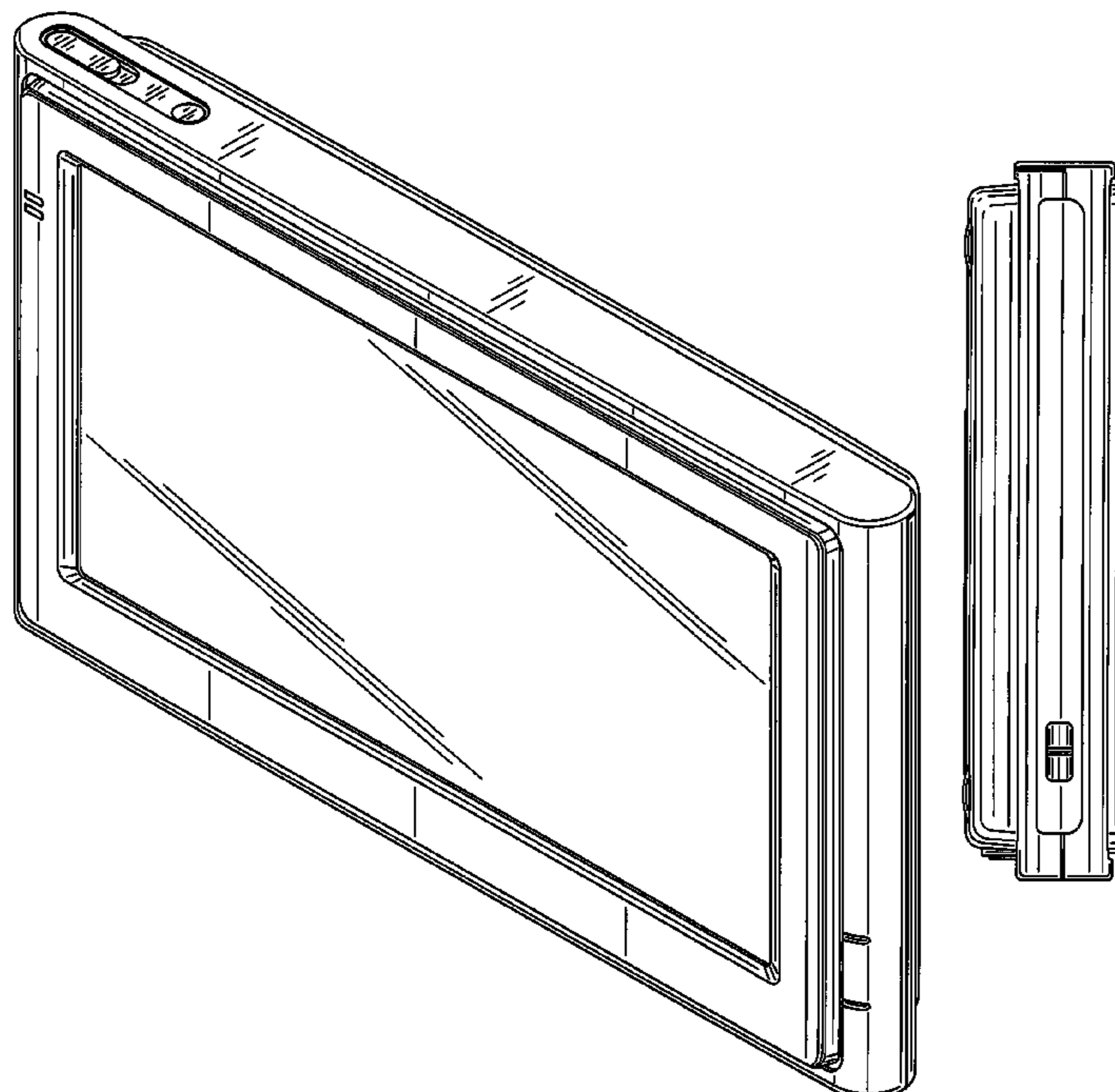
FIG. 4 is a left side elevational view thereof;

FIG. 5 is a right side elevational view thereof;

FIG. 6 is a top plan view thereof; and,

FIG. 7 is a bottom plan view thereof.

**1 Claim, 7 Drawing Sheets**



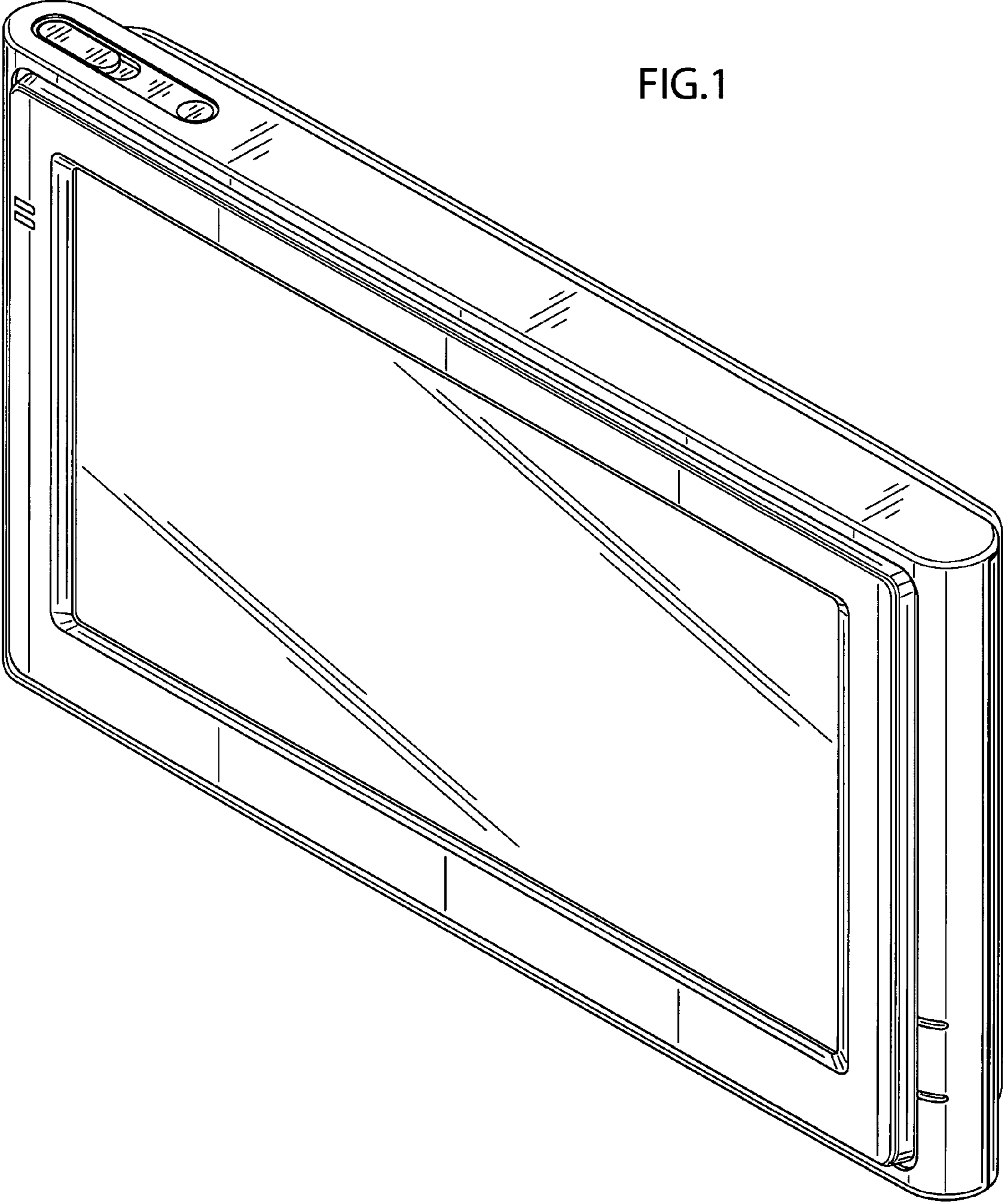


FIG.1

FIG.2

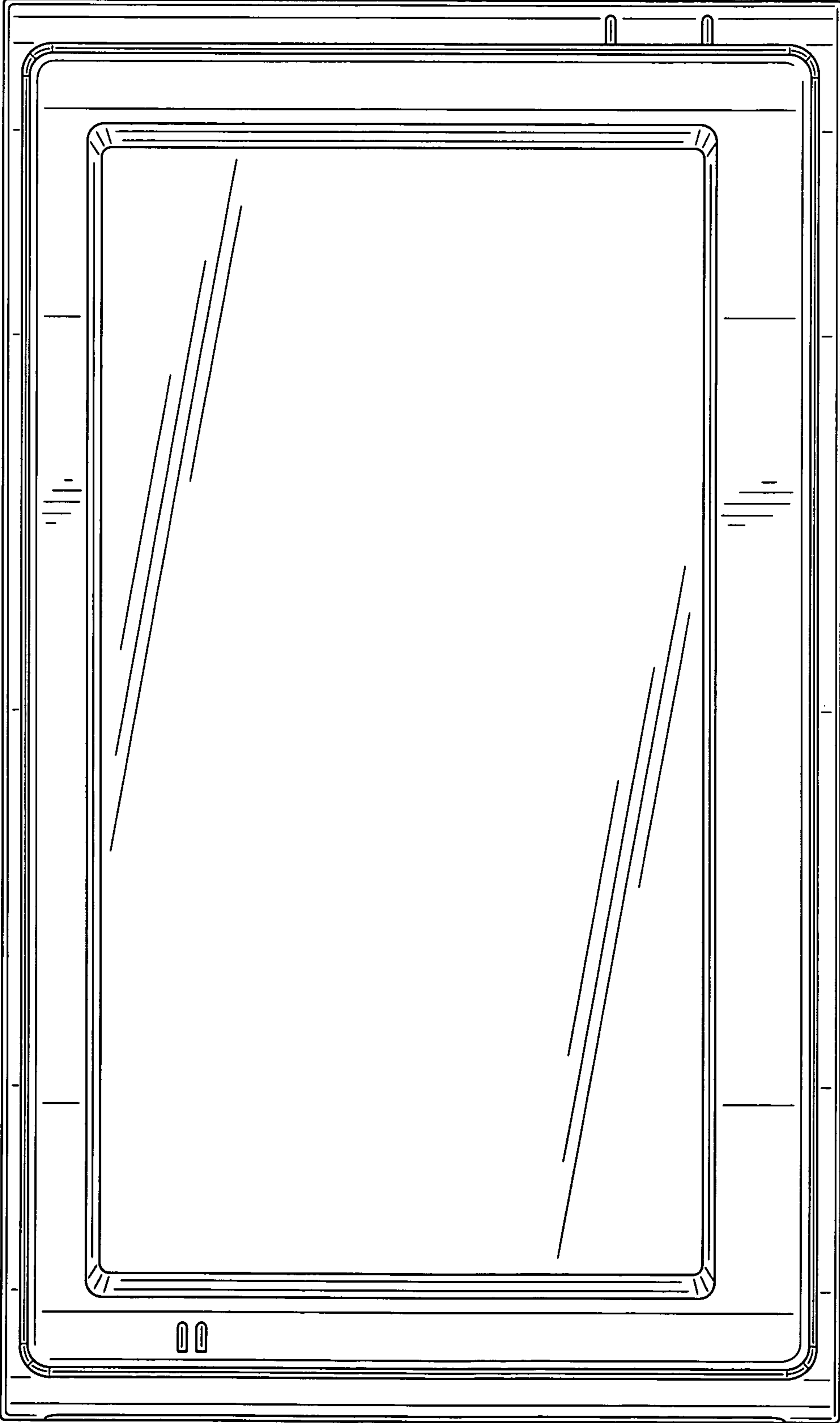


FIG.3

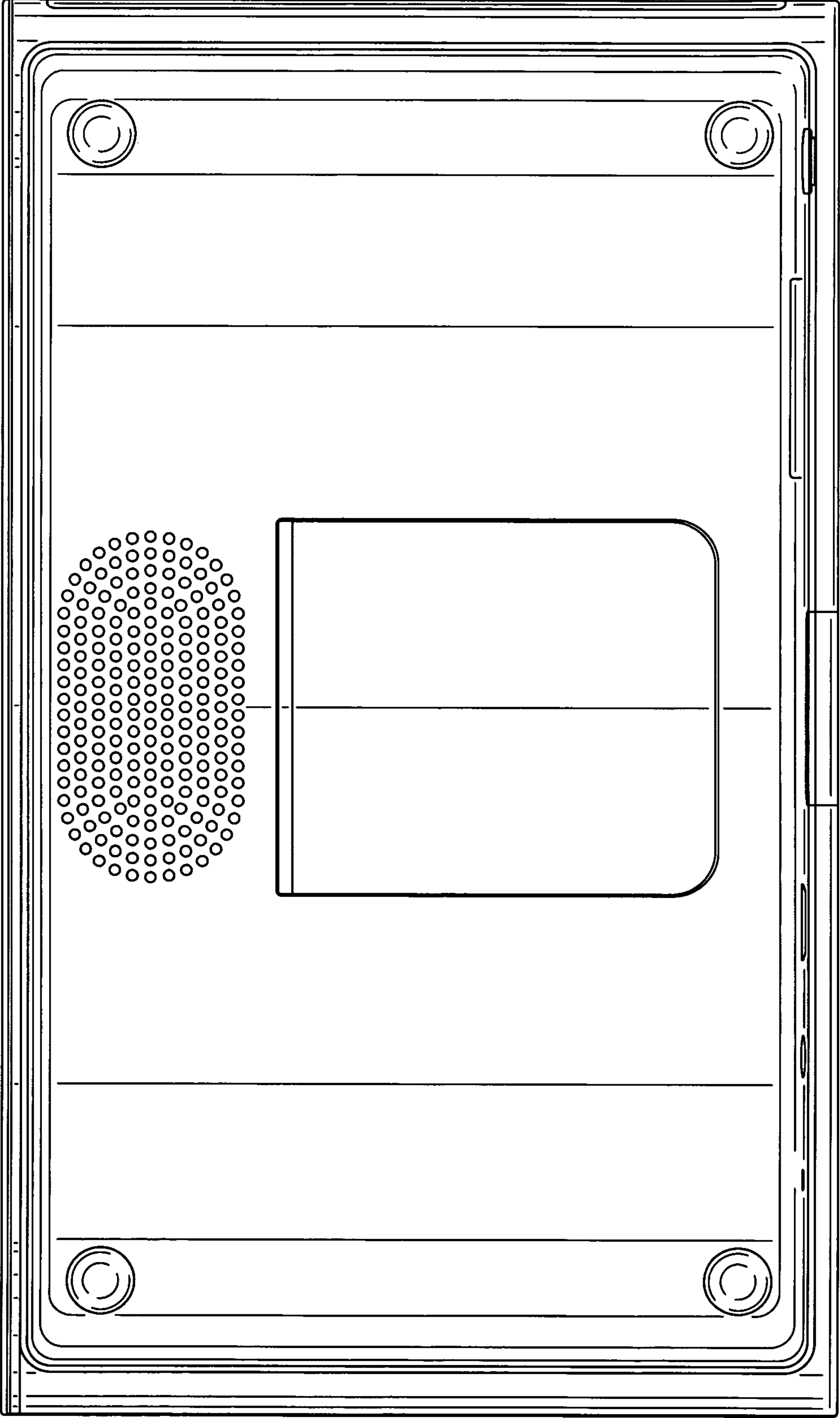


FIG.4

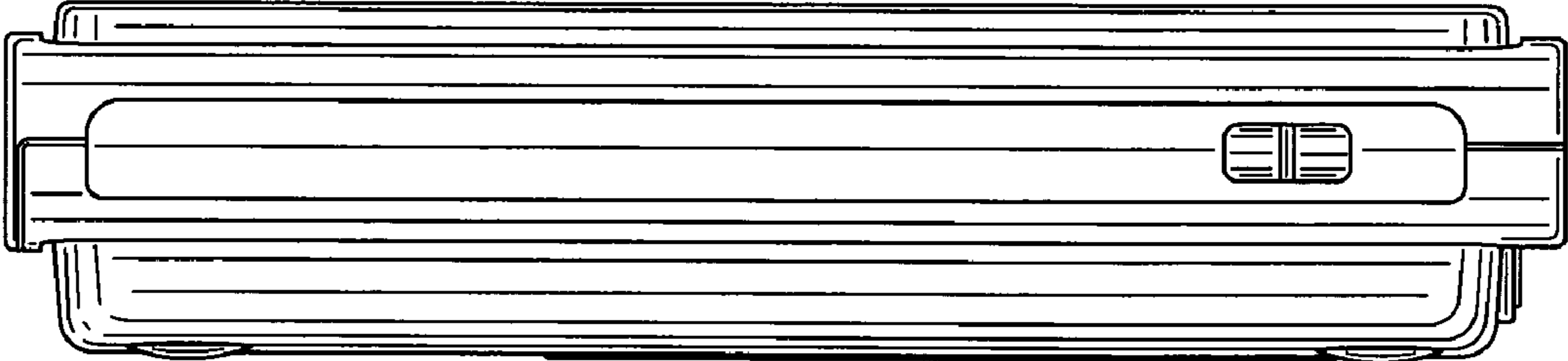


FIG.5

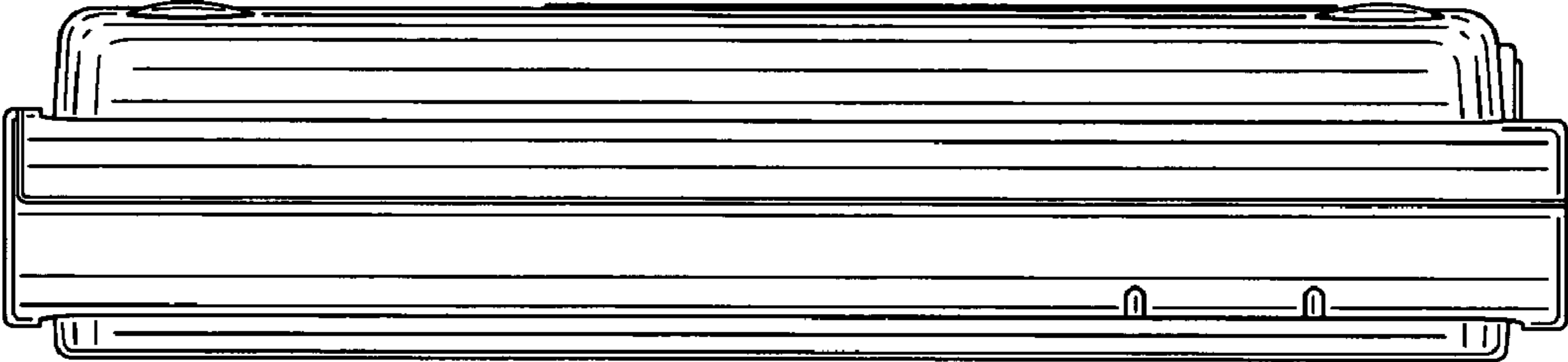




FIG.6

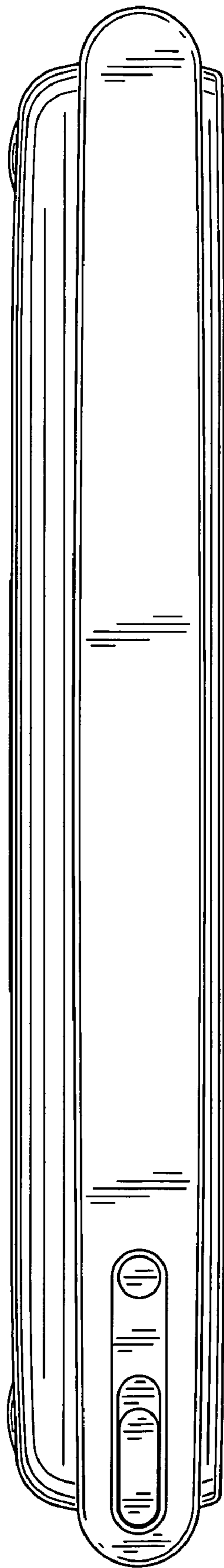


FIG.7

