



US00D589509S

(12) **United States Design Patent**  
**Takemasa**

(10) **Patent No.:** **US D589,509 S**  
(45) **Date of Patent:** **\*\* Mar. 31, 2009**

(54) **PERSONAL COMPUTER**

(75) Inventor: **Hirofumi Takemasa**, Kadoma (JP)  
(73) Assignee: **Panasonic Corporation**, Osaka (JP)  
(\*\*) Term: **14 Years**  
(21) Appl. No.: **29/288,862**  
(22) Filed: **Jun. 25, 2007**

(30) **Foreign Application Priority Data**  
Dec. 26, 2006 (JP) ..... 2006-035670

(51) **LOC (9) Cl.** ..... **14-02**  
(52) **U.S. Cl.** ..... **D14/324; D14/315**  
(58) **Field of Classification Search** ..... D14/315-328,  
D14/341-346, 432; D18/1, 2, 7; 235/145 A,  
235/145 R; 341/22, 23; 345/104, 156, 168,  
345/169, 173; 361/680-686  
See application file for complete search history.

(56) **References Cited**

**U.S. PATENT DOCUMENTS**

D426,835 S \* 6/2000 Tanimura ..... D14/432  
D428,003 S \* 7/2000 Lee et al. .... D14/315  
D429,722 S \* 8/2000 Kikuchi ..... D14/318  
D443,875 S \* 6/2001 Ma et al. .... D14/318  
D444,462 S \* 7/2001 Tsuji ..... D14/318  
D490,417 S \* 5/2004 Chen et al. .... D14/318  
D498,753 S 11/2004 Yamada

**FOREIGN PATENT DOCUMENTS**

JP D1098189 1/2001  
JP D1119691 8/2001  
JP D1198666 3/2004

\* cited by examiner

*Primary Examiner*—Freda S Nunn

(74) *Attorney, Agent, or Firm*—Brinks Hofer Gilson & Lione

(57) **CLAIM**

I claim the ornamental design for a personal computer, as shown and described.

**DESCRIPTION**

FIG. 1 is a top perspective view of a personal computer of the present invention;  
FIG. 2 is a front view thereof;  
FIG. 3 is a top view thereof;  
FIG. 4 is a first side view thereof;  
FIG. 5 is a second side view thereof;  
FIG. 6 is a bottom view thereof; and,  
FIG. 7 is a rear view thereof.

The broken lines surrounding the elevated portion appearing on the front of the panel in FIGS. 1 and 2 define the bounds of the claimed design and form no part thereof. The other broken line showing of the personal computer is included to illustrate portions of the computer and form no part of the claimed design.

**1 Claim, 4 Drawing Sheets**

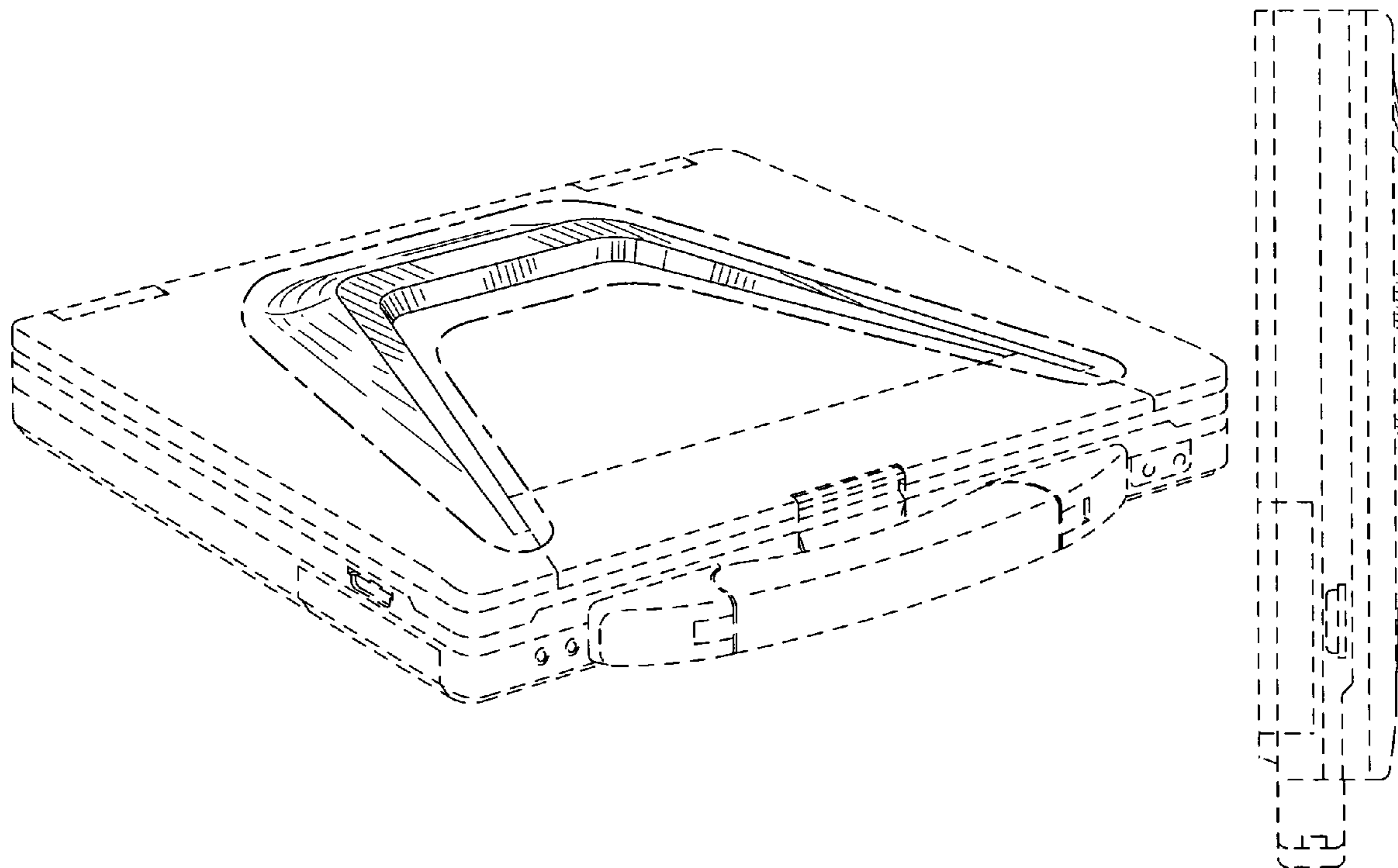


FIG. 1

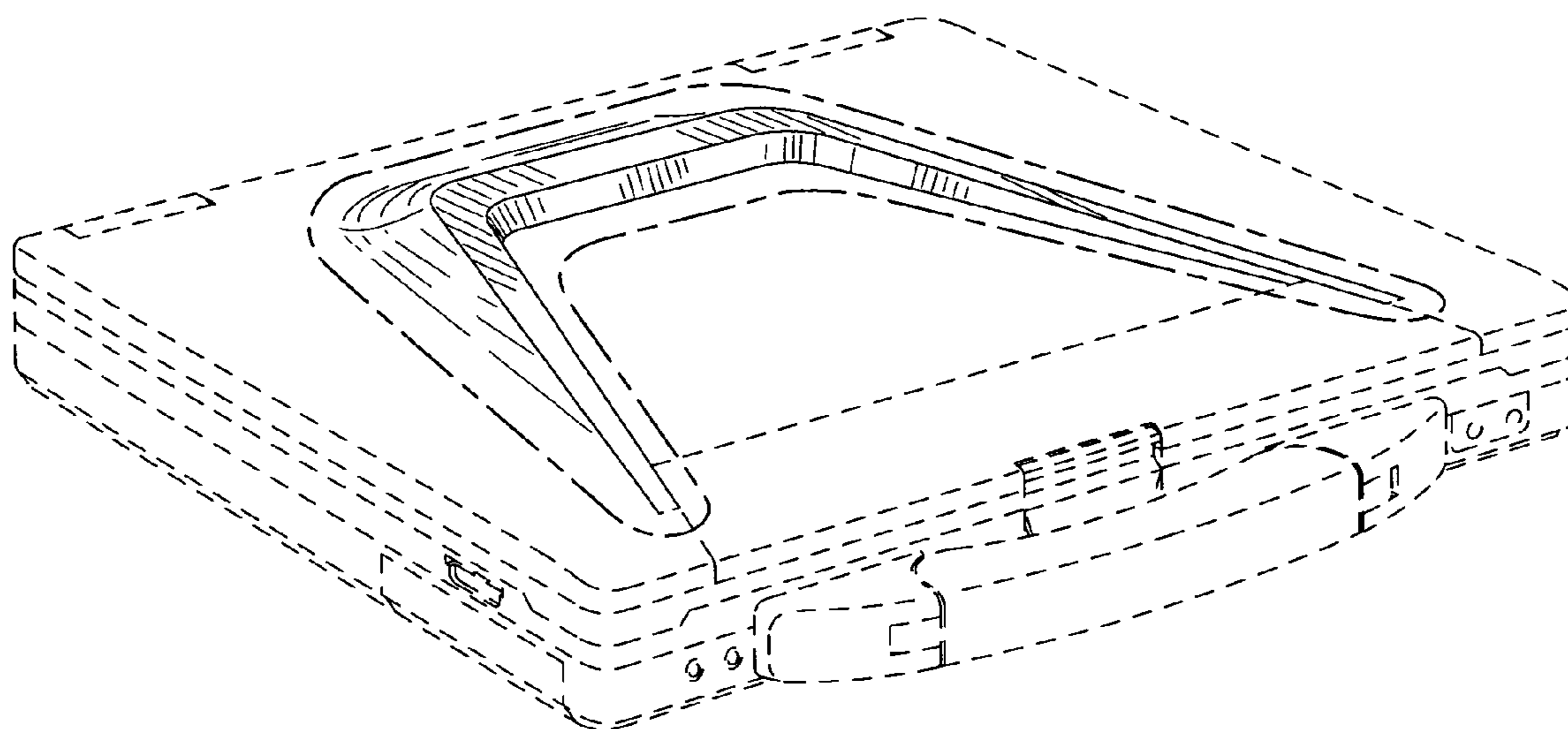


FIG. 2

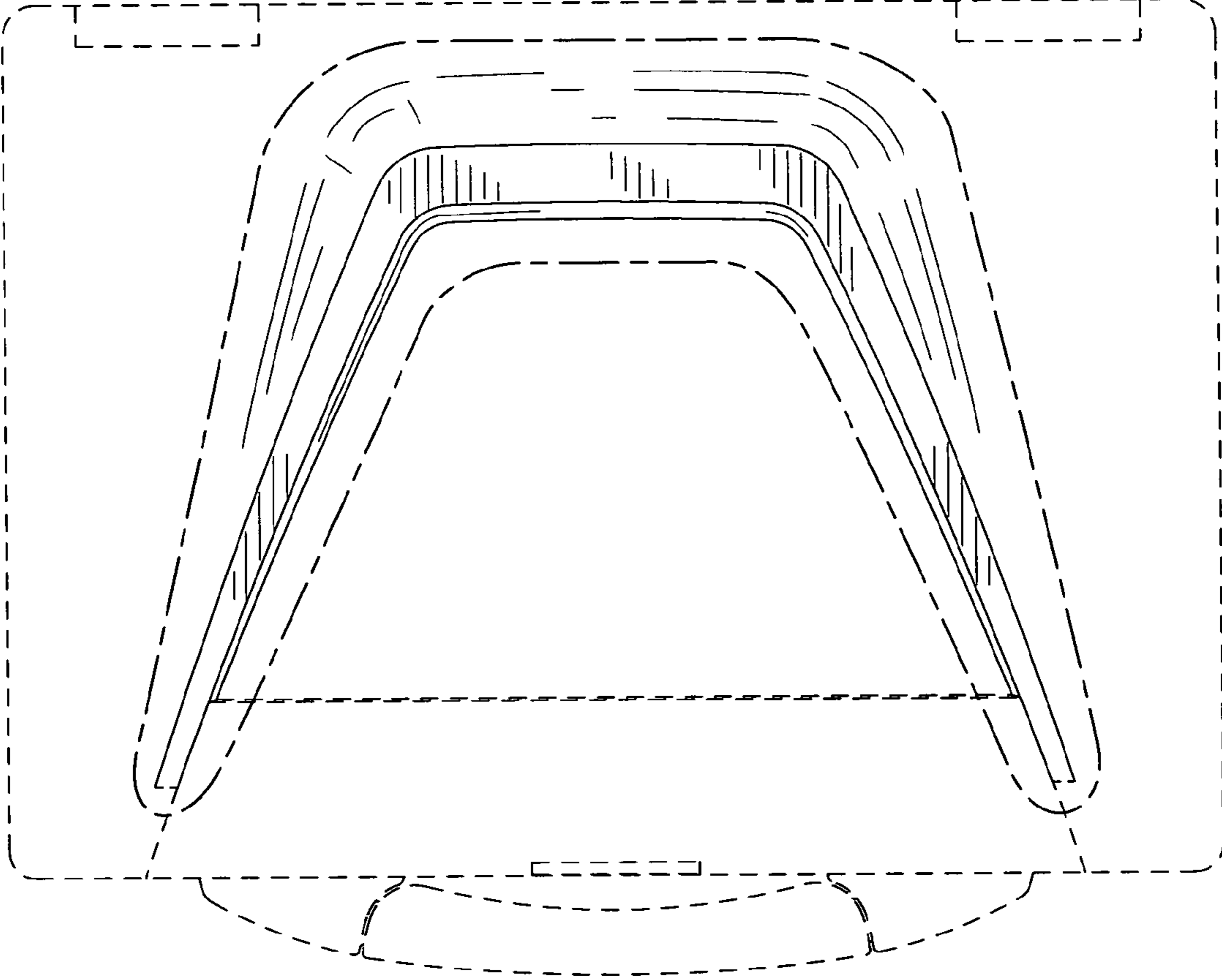


FIG. 3

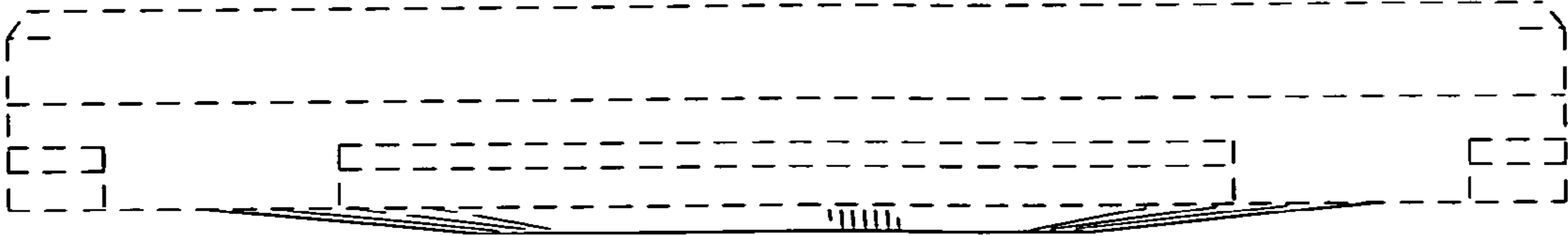


FIG. 4

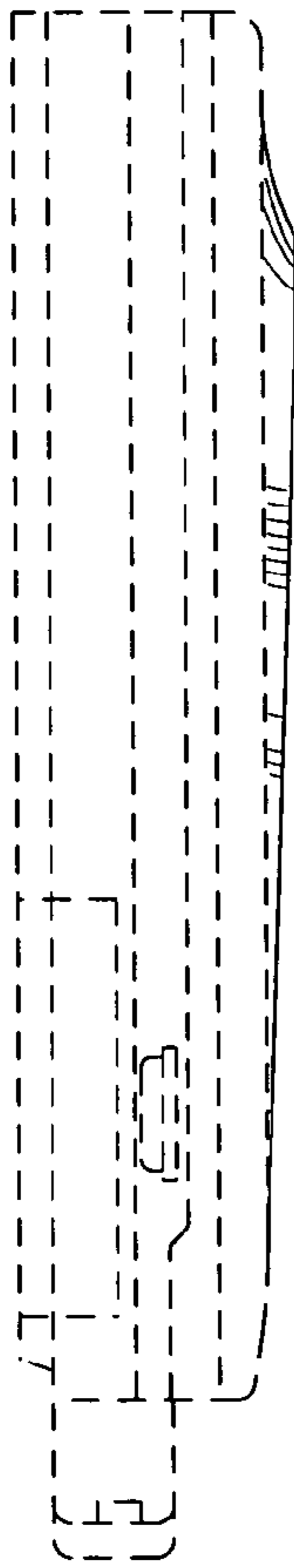


FIG. 5

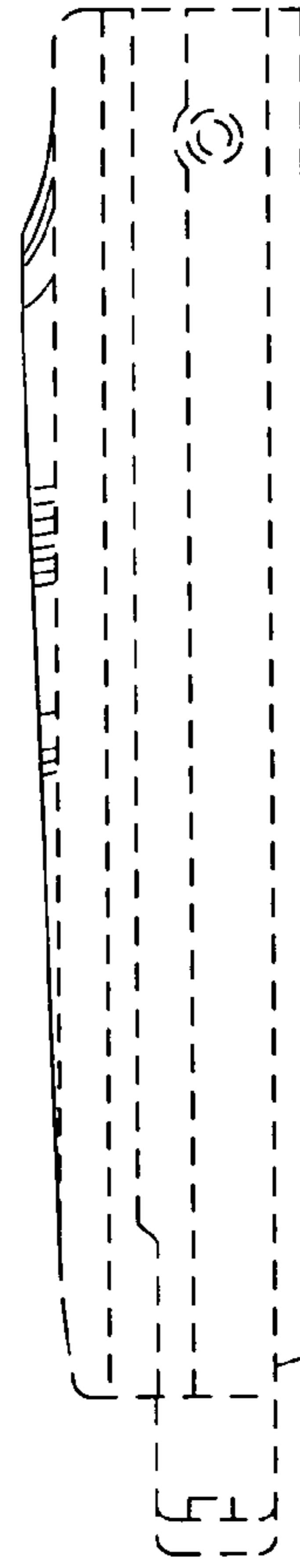


FIG. 6

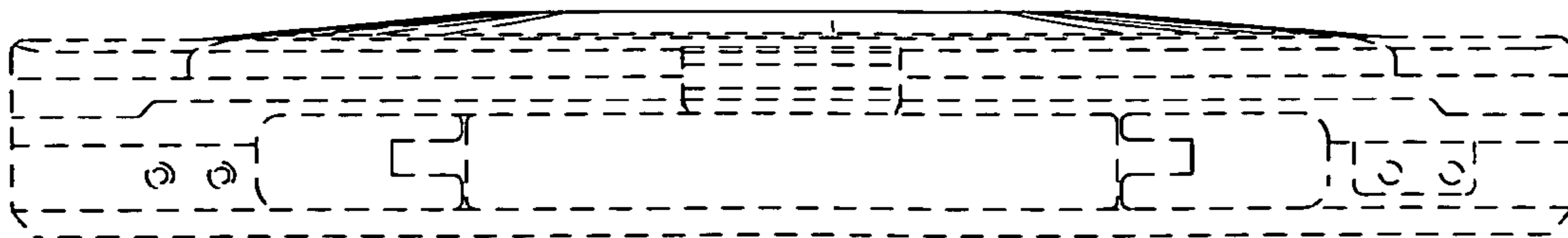


FIG. 7

