



US00D589502S

(12) **United States Design Patent**  
**Miyata et al.**

(10) **Patent No.:** **US D589,502 S**  
(45) **Date of Patent:** **\*\* Mar. 31, 2009**

(54) **TELEPHONE HANDSET**

2008/0070604 A1\* 3/2008 Castagnet ..... 455/466  
2008/0146296 A1\* 6/2008 Sakashita et al. .... 455/575.3

(75) Inventors: **Kenji Miyata**, Kadoma (JP); **Masashi Furuno**, Kadoma (JP)

**OTHER PUBLICATIONS**

(73) Assignee: **Panasonic Corporation**, Osaka (JP)

Sony Ericsson T310, announced Mar. 2003, [online], [retrieved on Sep. 16, 2008]. Retrieved from Internet ,<URL: http://www.gsmarena.com>.\*

(\*\*) Term: **14 Years**

Gigabyte g-Cam, announced 2005, [online], [retrieved on Sep. 16, 2008]. Retrieved from Internet ,<URL: http://www.gsmarena.com>.\*

(21) Appl. No.: **29/299,231**

Philips 535, announced 4<sup>th</sup> quarter 2003, [online], [retrieved on Sep. 16, 2008]. Retrieved from Internet ,<URL: http://www.gsmarena.com>.\*

(22) Filed: **Dec. 20, 2007**

Haier M260, announced 2<sup>nd</sup> quarter 2006, [online], [retrieved on Sep. 16, 2008]. Retrieved from Internet ,<URL: http://www.gsmarena.com>.\*

(51) **LOC (9) Cl.** ..... **14-03**

(52) **U.S. Cl.** ..... **D14/247**

(58) **Field of Classification Search** ..... D14/137,  
D14/138, 147, 191, 218, 247-248, 341-347,  
D14/496; D10/65, 78, 104; D13/168; D18/7;  
455/556.1, 566, 575.1, 575.3; 345/169  
See application file for complete search history.

\* cited by examiner

*Primary Examiner*—Jeffrey D Asch

*Assistant Examiner*—Bridget L Eland

(74) *Attorney, Agent, or Firm*—Brinks Hofer Gilson & Lione

(56) **References Cited**

(57) **CLAIM**

**U.S. PATENT DOCUMENTS**

The ornamental design for a telephone handset, as shown and described.

- D386,152 S \* 11/1997 Warneke ..... D14/347
- D432,506 S \* 10/2000 Noguchi et al. .... D14/339
- D459,344 S \* 6/2002 Vuolteenaho ..... D14/247
- D490,792 S \* 6/2004 Lee ..... D14/138 AB
- D491,907 S \* 6/2004 Ogawa ..... D14/138 AB
- D510,923 S \* 10/2005 Okamoto ..... D14/138 AB
- D517,036 S \* 3/2006 Himmel ..... D14/138 AA
- D520,495 S \* 5/2006 Dukerschein et al. .... D14/218
- D524,802 S 7/2006 Burns et al.
- D540,765 S \* 4/2007 Pritchard et al. .... D14/137
- D554,609 S \* 11/2007 Miake ..... D14/138 AB
- D555,125 S \* 11/2007 Horimoto ..... D14/138 AB
- 7,327,335 B2 \* 2/2008 Yamazaki et al. .... 345/76
- D570,324 S \* 6/2008 Furuno et al. .... D14/149
- D571,361 S \* 6/2008 Moriyama ..... D14/247
- D571,363 S \* 6/2008 Hering et al. .... D14/247
- D574,355 S \* 8/2008 Okawa et al. .... D14/147
- 2006/0099996 A1\* 5/2006 Kanai ..... 455/566
- 2006/0116165 A1\* 6/2006 Ito ..... 455/557
- 2007/0049357 A1\* 3/2007 Daimon et al. .... 455/575.1
- 2007/0060204 A1\* 3/2007 Lee ..... 455/566
- 2007/0259697 A1\* 11/2007 Griffin et al. .... 455/566

**DESCRIPTION**

FIG. 1 is a top front perspective view of a telephone handset of the present invention;

FIG. 2 is a front view thereof;

FIG. 3 is a rear view thereof;

FIG. 4 is a first side view thereof;

FIG. 5 is a second side view thereof;

FIG. 6 is a top view thereof; and,

FIG. 7 is a bottom view thereof.

The broken line showing of the remainder of the telephone handset is directed to environment and is for illustrative purposes only; the broken lines forms no part of the claimed design.

**1 Claim, 7 Drawing Sheets**

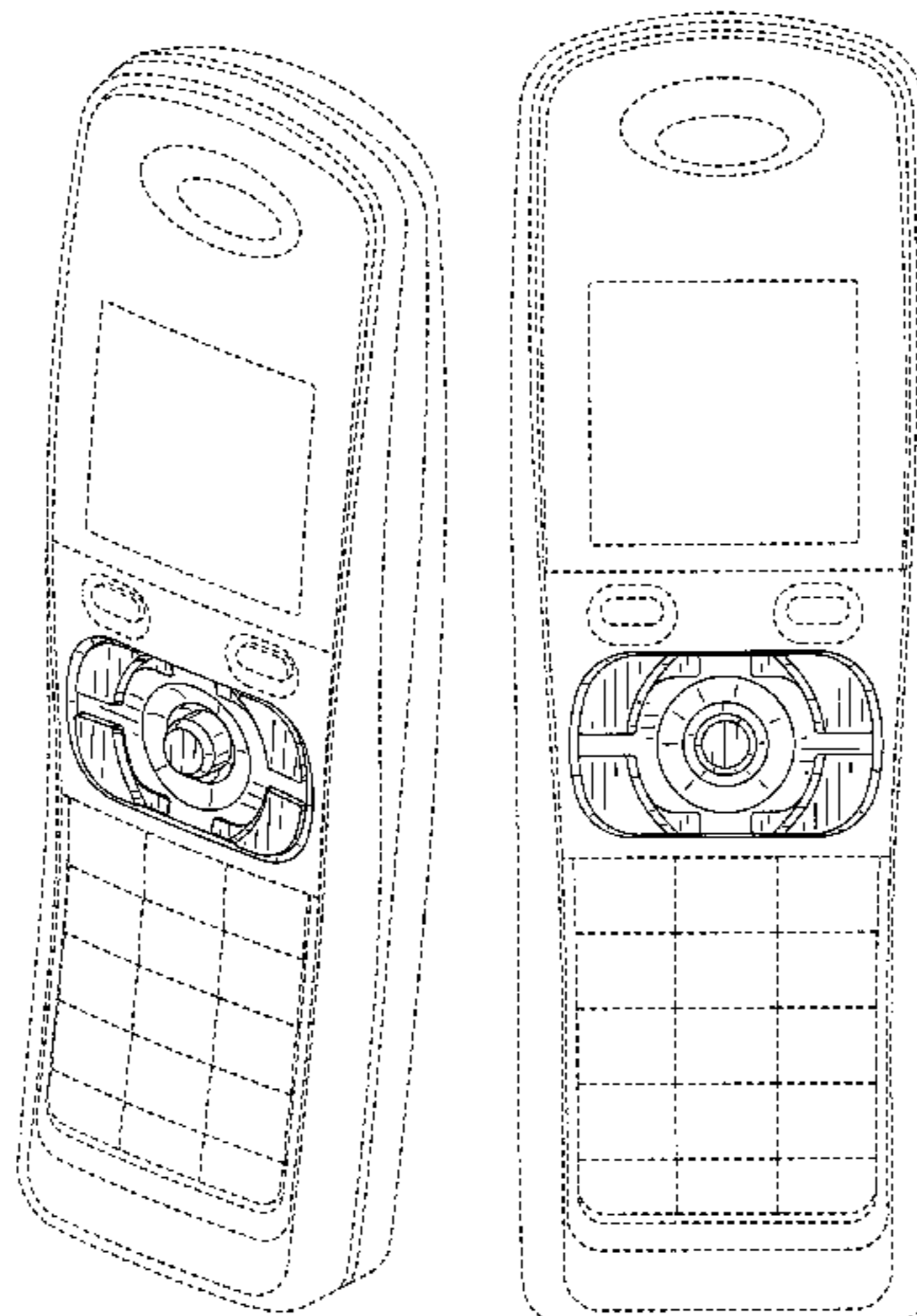


FIG.1

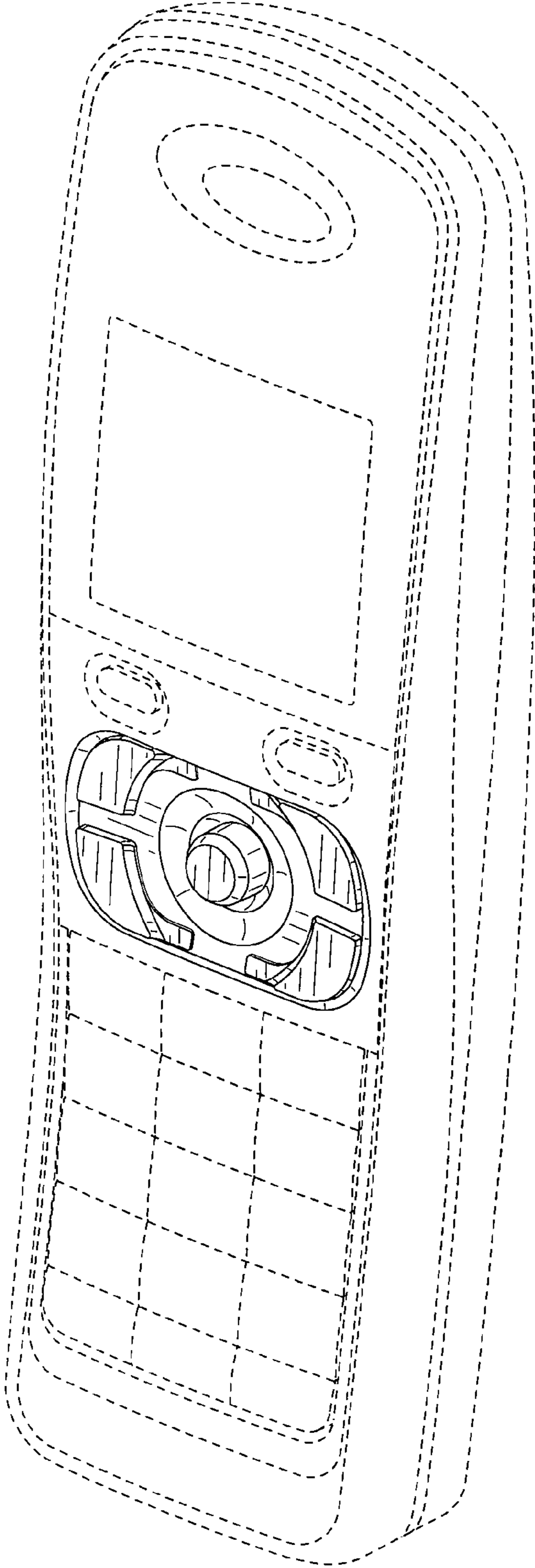


FIG.2

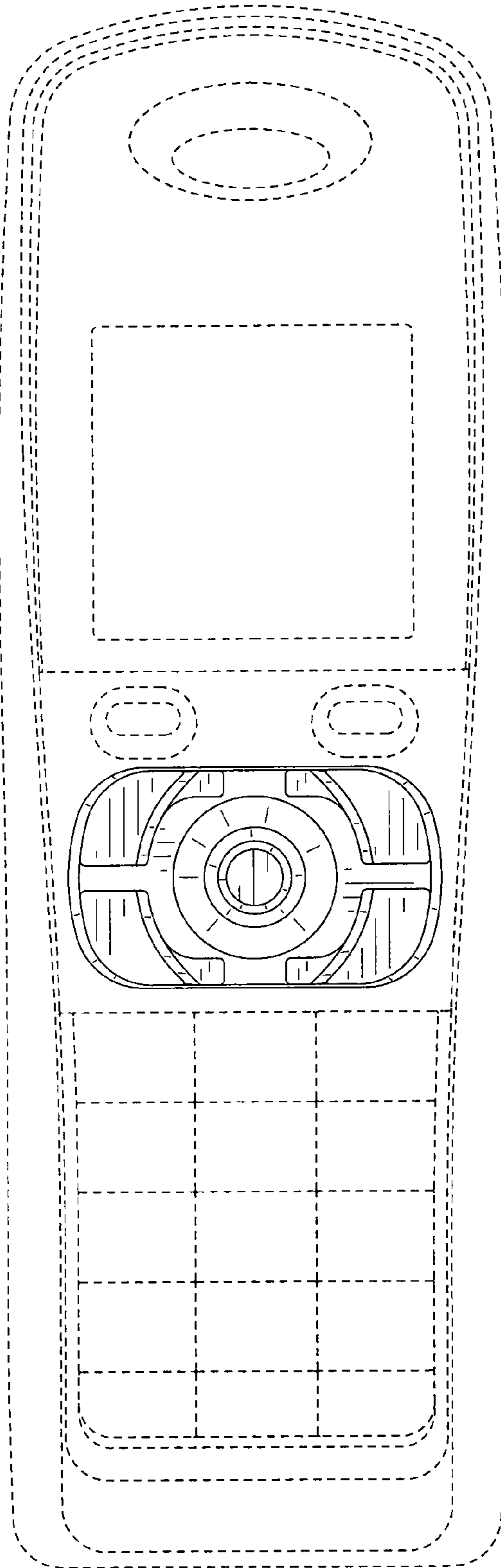


FIG.3

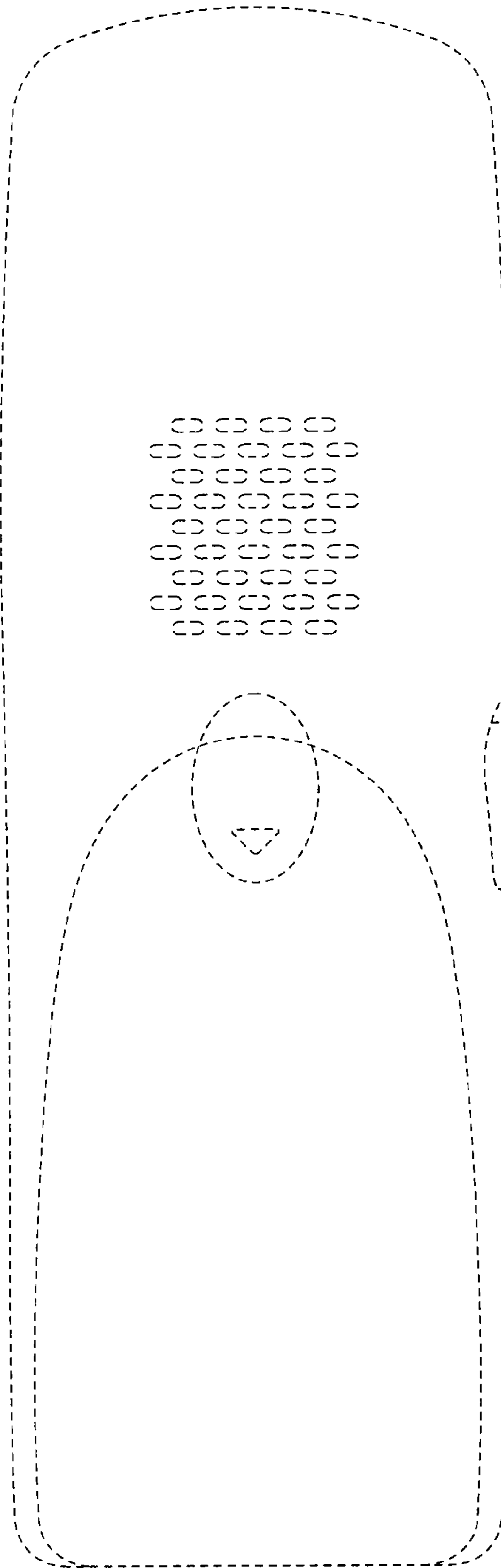


FIG.4

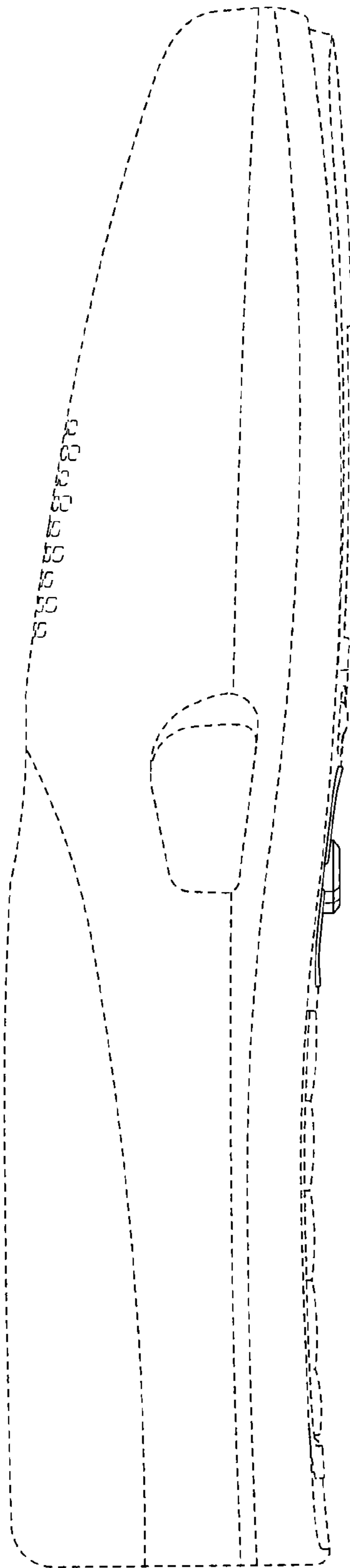


FIG.5

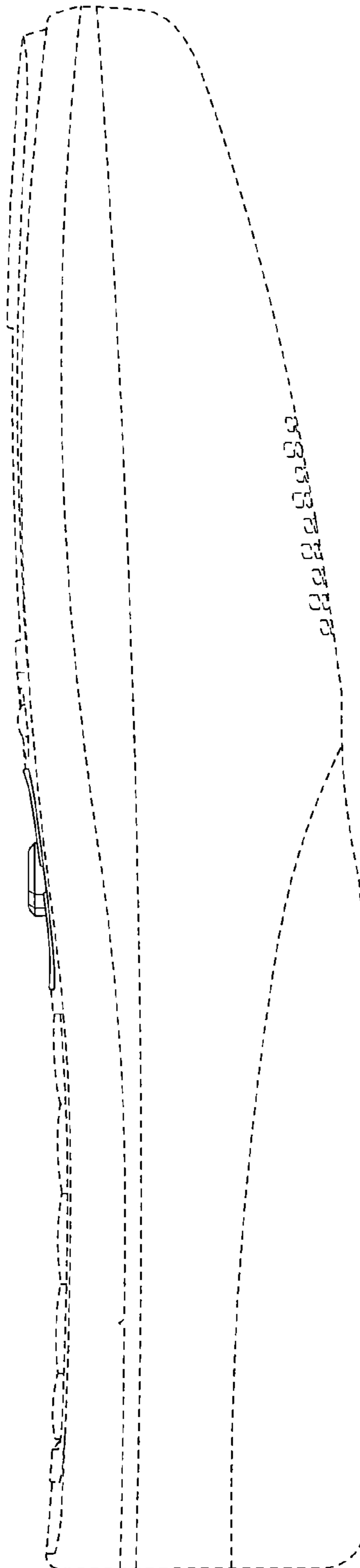


FIG.6

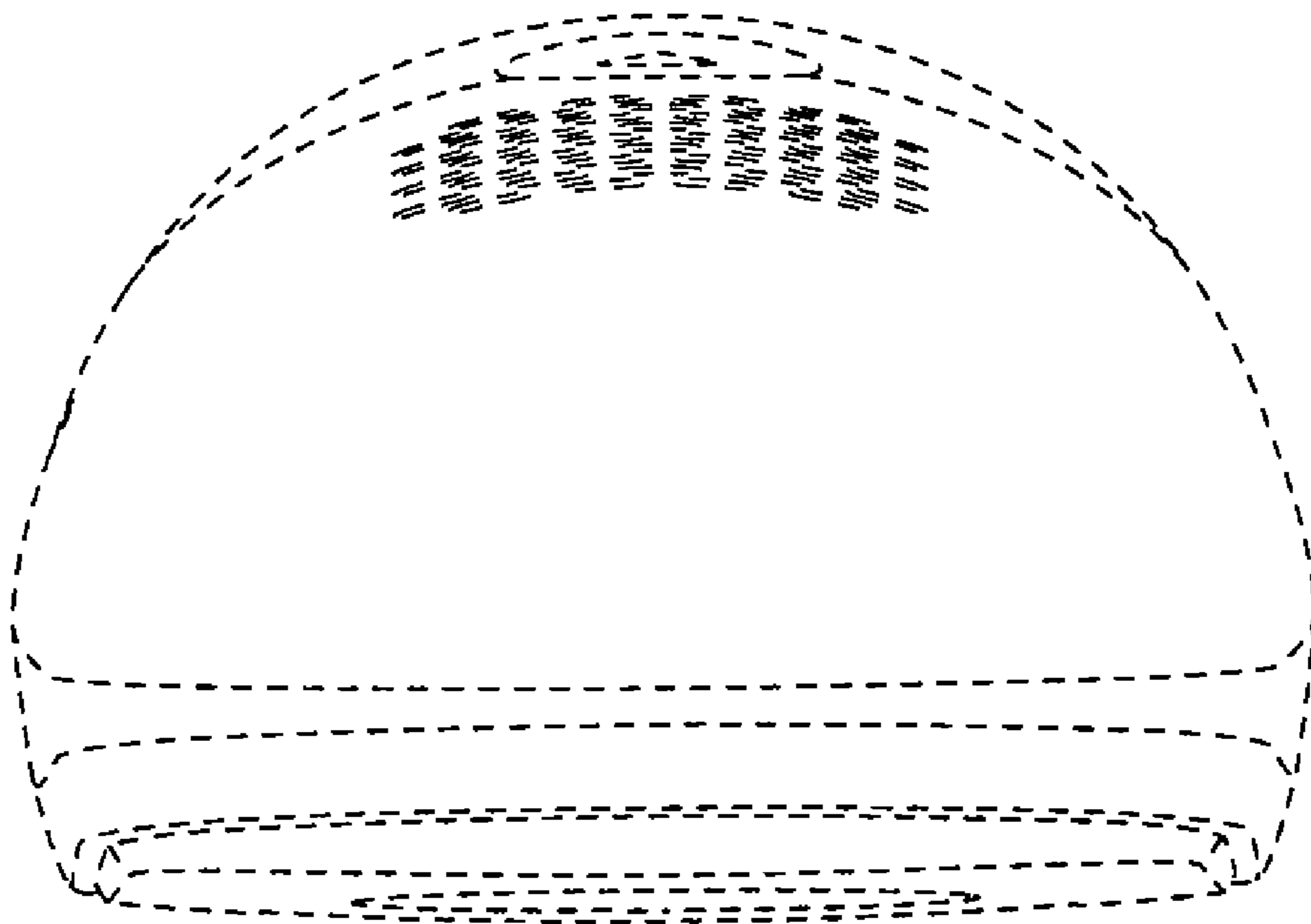


FIG.7

