



US00D589498S

(12) **United States Design Patent**
Komiyama

(10) **Patent No.:** **US D589,498 S**
(45) **Date of Patent:** **** Mar. 31, 2009**

(54) **EARPHONE**

(75) Inventor: **Jun Komiyama**, Tokyo (JP)

(73) Assignee: **Sony Corporation**, Tokyo (JP)

(**) Term: **14 Years**

(21) Appl. No.: **29/300,548**

(22) Filed: **Apr. 8, 2008**

(30) **Foreign Application Priority Data**

Nov. 9, 2007 (JP) D2007-031102

(51) **LOC (9) Cl.** **14-01**

(52) **U.S. Cl.** **D14/223**

(58) **Field of Classification Search** D14/205,
D14/206, 223; 181/129, 130, 135, 137; 379/430,
379/431; 381/380, 381; D24/173, 174, 175;
128/864; 604/1

See application file for complete search history.

(56) **References Cited**

U.S. PATENT DOCUMENTS

2,545,731 A * 3/1951 French 181/135
3,303,902 A * 2/1967 Knott 181/135
4,588,867 A * 5/1986 Konomi 379/430
5,363,444 A * 11/1994 Norris 379/430
5,373,555 A * 12/1994 Norris et al. 379/430
D357,921 S 5/1995 Ming-Chin
D368,716 S 4/1996 Shudo
5,812,659 A * 9/1998 Mauney et al. 379/430

D457,514 S * 5/2002 Marion et al. D14/223
D457,515 S 5/2002 Masamitsu et al.
D471,176 S 3/2003 Suzuki
D539,268 S * 3/2007 Suzuki D14/206
D554,109 S * 10/2007 Ledbetter et al. D14/223

OTHER PUBLICATIONS

Web page, "Sony Electronics: News and Information," http://news.sel.sony.com/en/press_room/portable_audio/headphones/release33653.html, 5 pages, Sony Electronics Inc., (Feb. 2008).

* cited by examiner

Primary Examiner—Paula Greene

(74) *Attorney, Agent, or Firm*—Rader, Fishman & Grauer, PLLC

(57) **CLAIM**

The ornamental design for an earphone, as shown and described.

DESCRIPTION

FIG. 1 is a perspective view of an earphone showing my new design;

FIG. 2 is a rear elevational view thereof;

FIG. 3 is a left side elevational view thereof;

FIG. 4 is a right side elevational view thereof;

FIG. 5 is a top plan view thereof; and,

FIG. 6 is a bottom plan view thereof.

The portions indicated in broken lines are for illustrative purposes only and form no part of the claimed design.

1 Claim, 6 Drawing Sheets

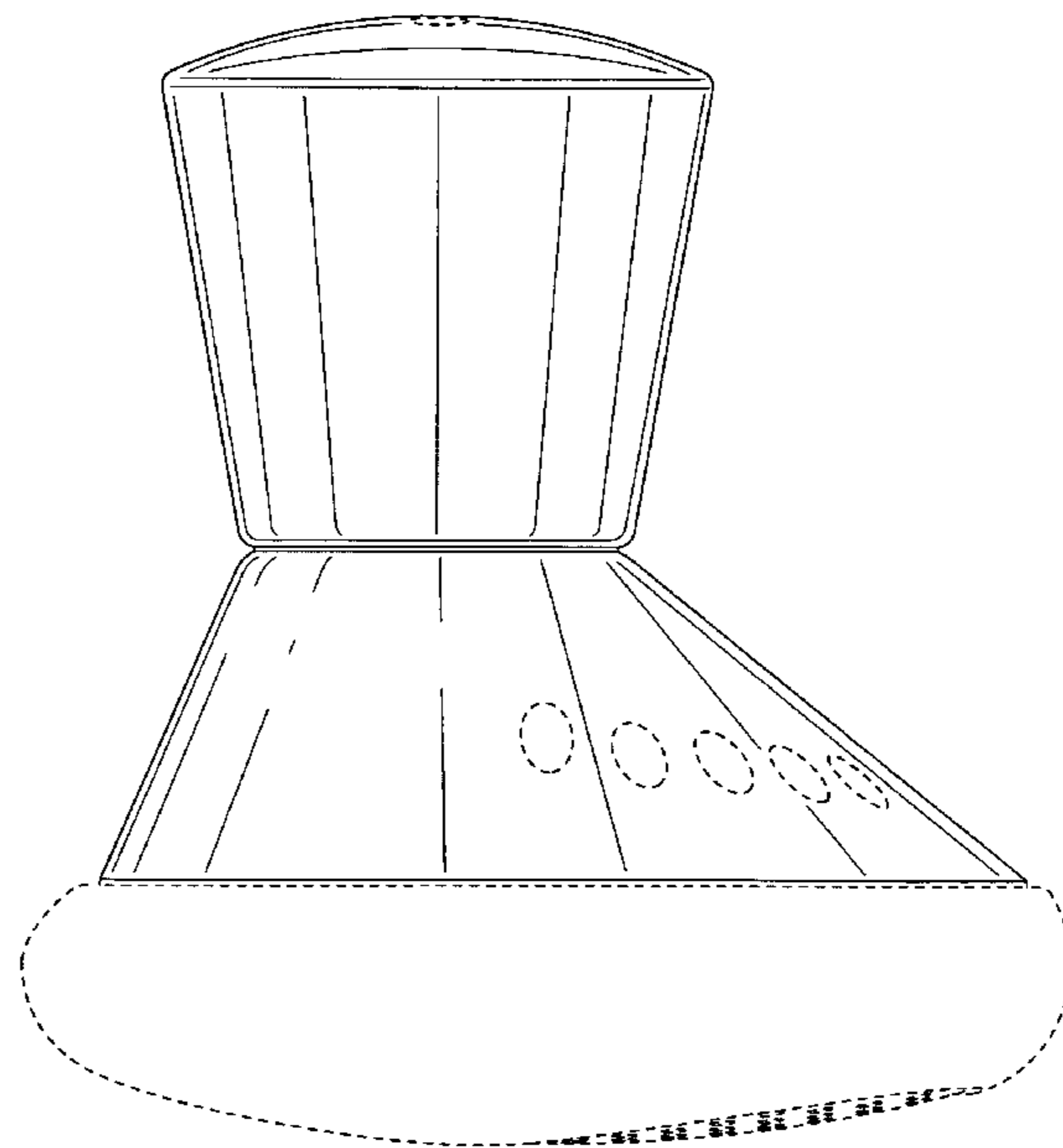
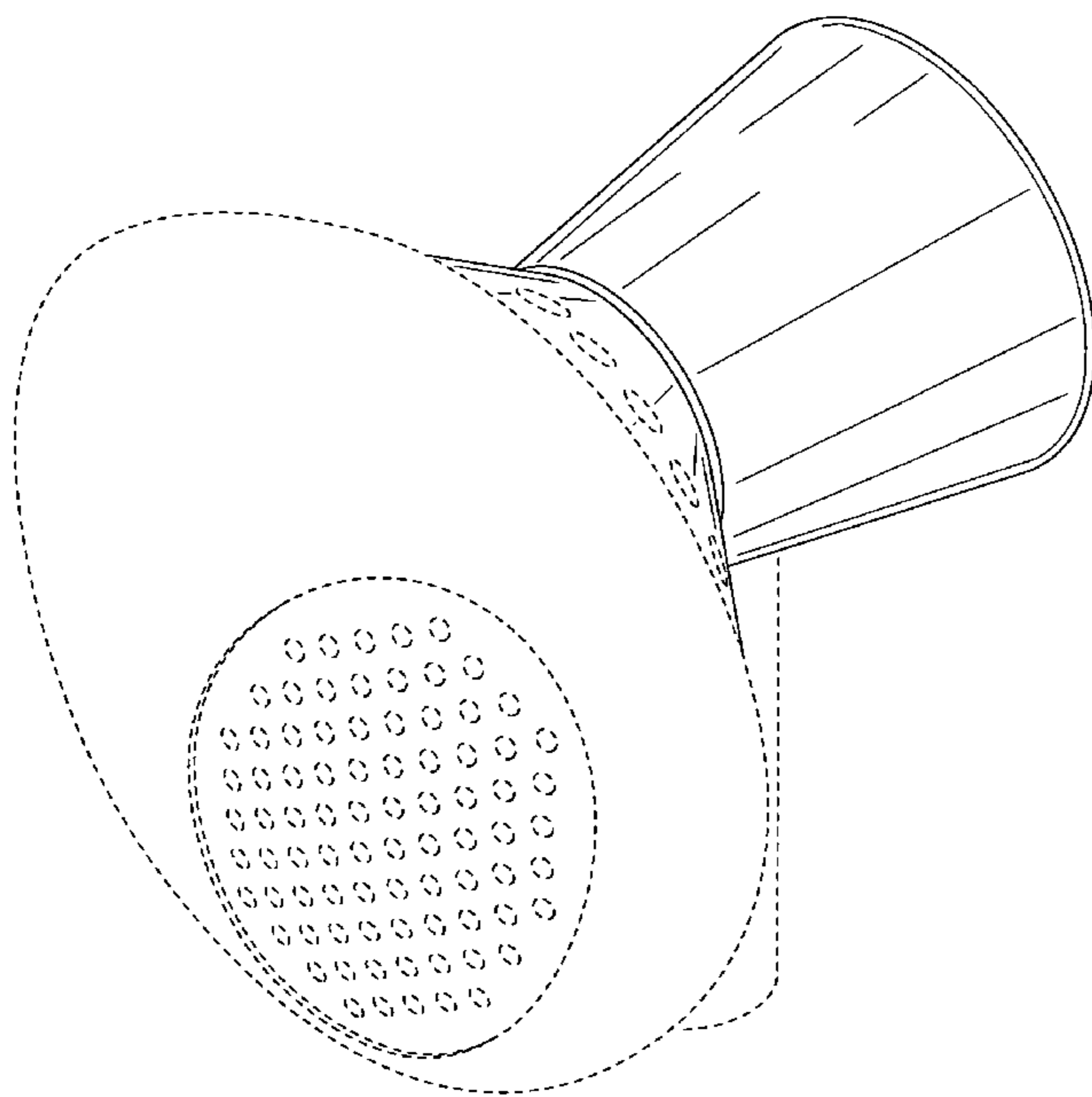


FIG.1

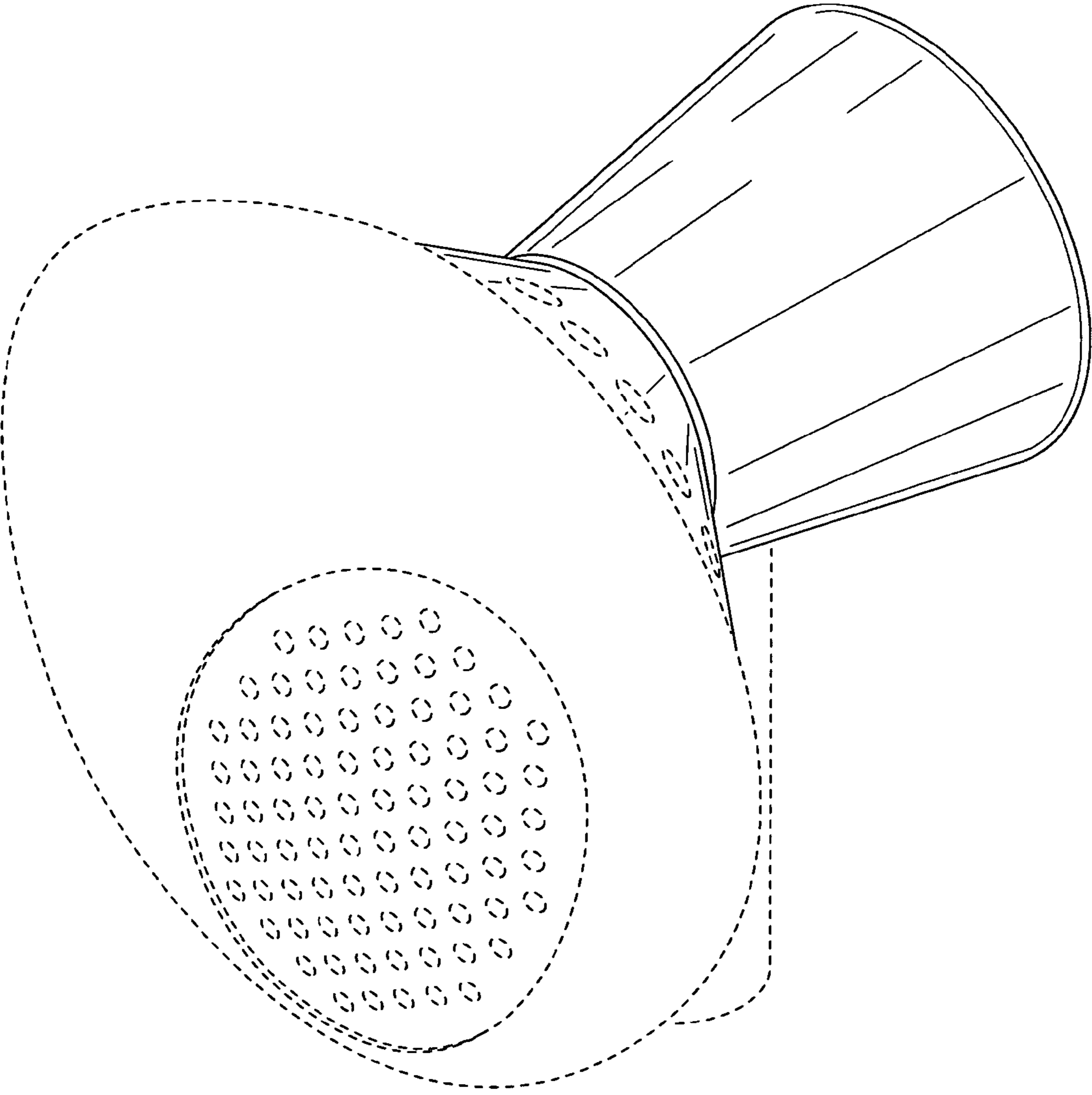


FIG.2

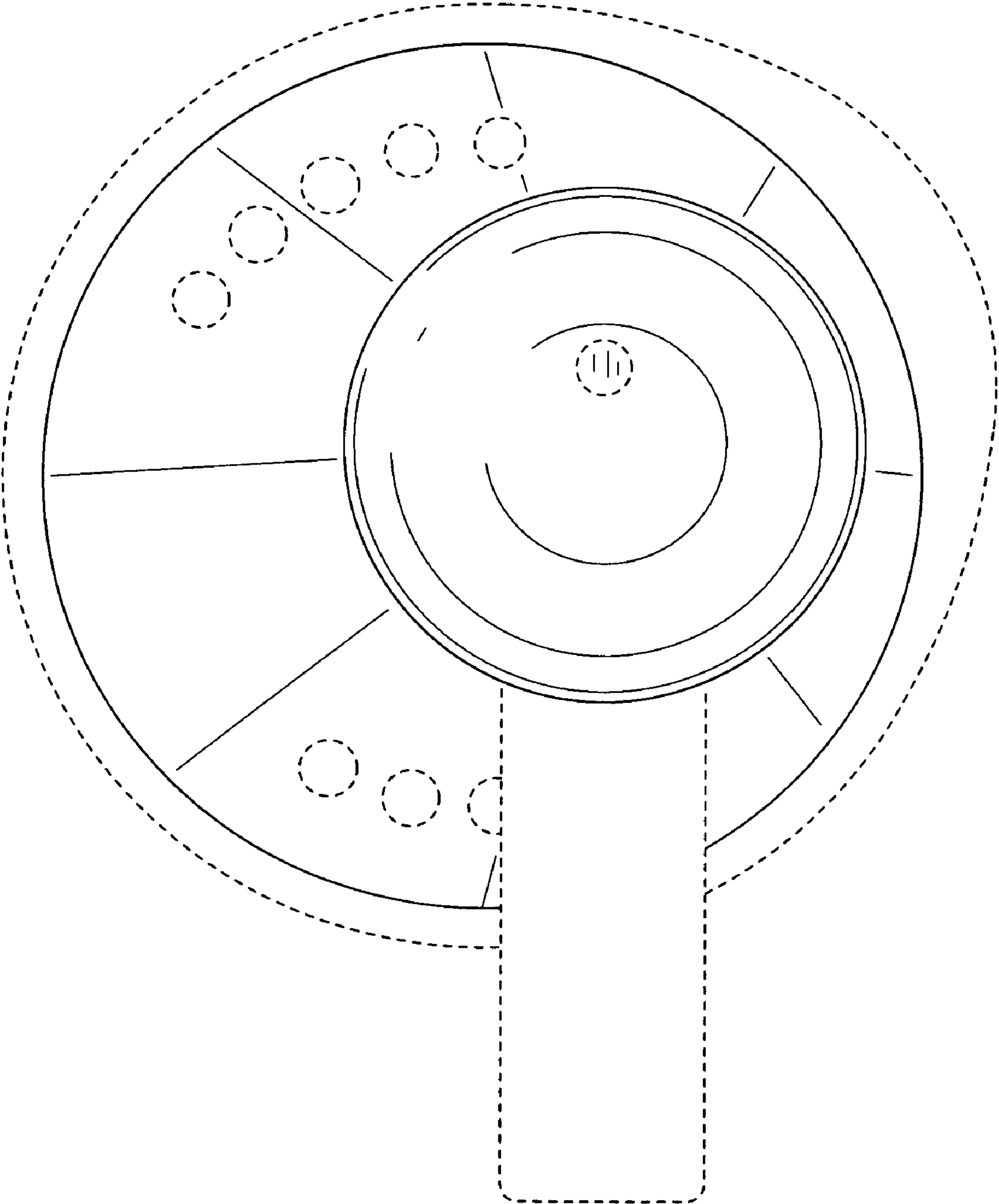


FIG.3

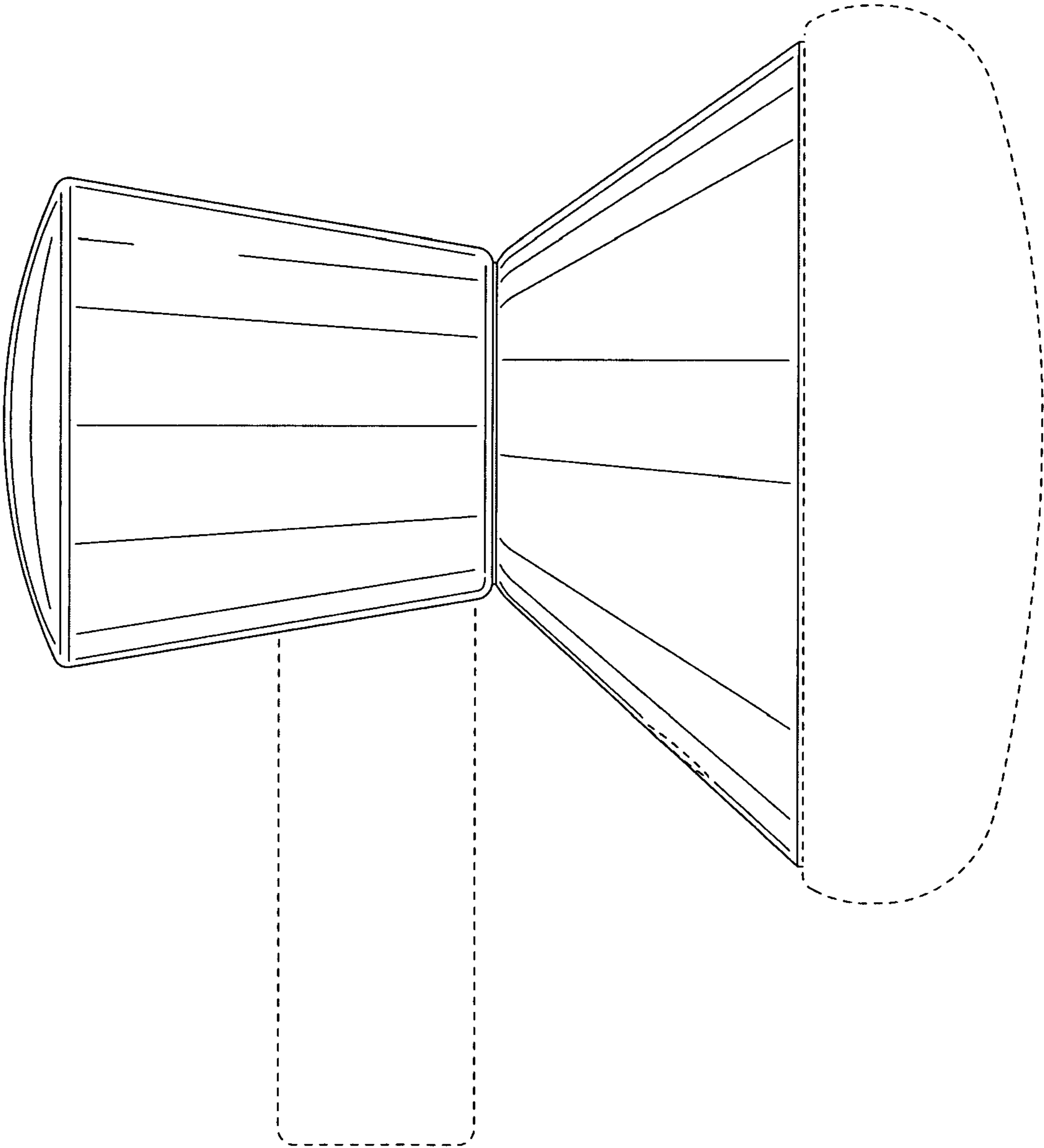


FIG.4

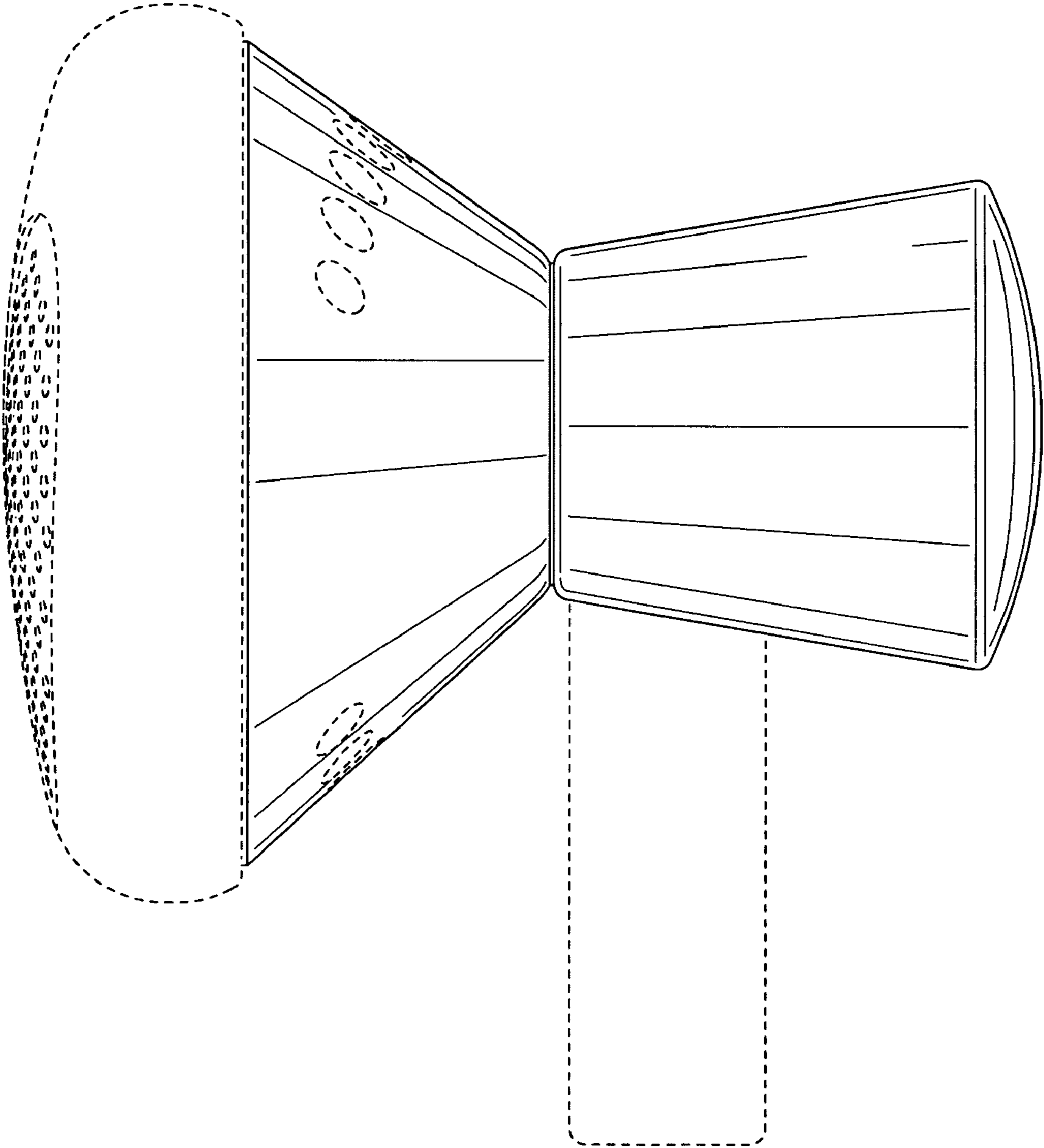


FIG.5

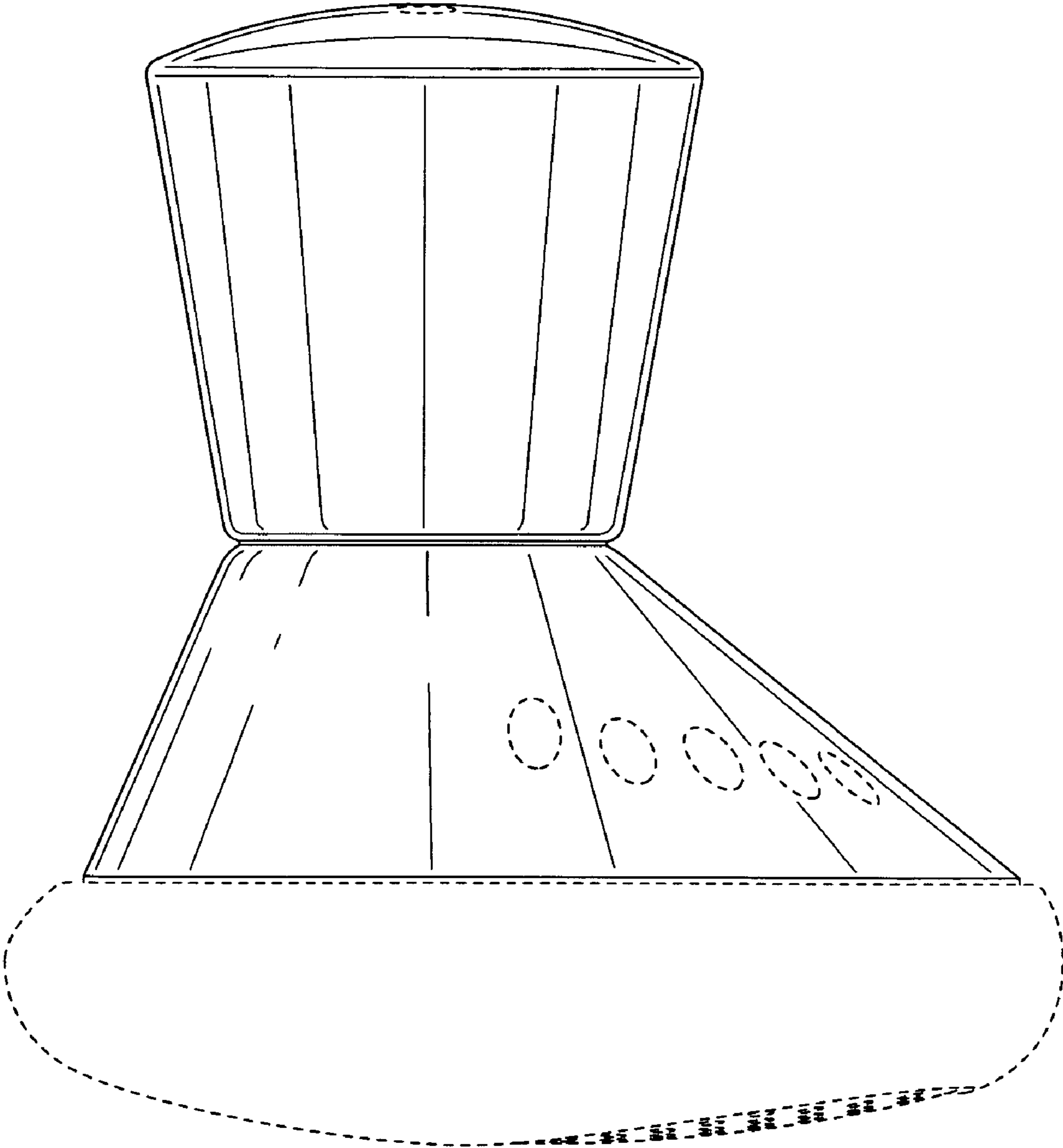


FIG.6

