



US00D589497S

(12) **United States Design Patent**
Andre et al.

(10) **Patent No.:** **US D589,497 S**
(45) **Date of Patent:** **** Mar. 31, 2009**

(54) **REMOTE CONTROLLER**

(75) Inventors: **Bartley K. Andre**, Menlo Park, CA (US); **Daniel J. Coster**, San Francisco, CA (US); **Daniele De Iuliis**, San Francisco, CA (US); **Richard P. Howarth**, San Francisco, CA (US); **Jonathan P. Ive**, San Francisco, CA (US); **Duncan Robert Kerr**, San Francisco, CA (US); **Shin Nishibori**, San Francisco, CA (US); **Matthew Dean Rohrbach**, San Francisco, CA (US); **Douglas B. Satzger**, Menlo Park, CA (US); **Calvin Q. Seid**, Palo Alto, CA (US); **Christopher J. Stringer**, Woodside, CA (US); **Eugene Antony Whang**, San Francisco, CA (US); **Rico Zorkendorfer**, San Francisco, CA (US)

(73) Assignee: **Apple Inc.**, Cupertino, CA (US)

(**) Term: **14 Years**

(21) Appl. No.: **29/296,894**

(22) Filed: **Oct. 30, 2007**

Related U.S. Application Data

(63) Continuation of application No. 29/251,424, filed on Jan. 5, 2006, now Pat. No. Des. 556,155.

(51) **LOC (9) Cl.** **14-03**

(52) **U.S. Cl.** **D14/218; D13/168**

(58) **Field of Classification Search** D13/168; D10/104, 106; D14/218; 340/825.22, 825.24, 340/825.25, 825.31, 825.36, 825.69, 825.71, 340/825.72; 341/20, 22, 23, 34, 176; 345/156, 345/168, 169; 348/734; 455/92, 95, 100, 455/128, 151.1–151.4, 352–355; 463/39, 463/42; 700/17, 19, 20, 65, 83

See application file for complete search history.

(56) **References Cited**

U.S. PATENT DOCUMENTS

D357,919 S * 5/1995 Tsui D14/218

(Continued)

OTHER PUBLICATIONS

U.S. Appl. No. 29/265,582, filed Sep. 1, 2006, entitled “Media Device” (now abandoned).

(Continued)

Primary Examiner—Selina Sikder

(74) *Attorney, Agent, or Firm*—Sterne, Kessler, Goldstein & Fox P.L.L.C.

(57) **CLAIM**

We claim the ornamental design for a remote controller, substantially as shown and described.

DESCRIPTION

FIG. 1 is a perspective view of a remote controller in accordance with the present design;

FIG. 2 is a front view thereof;

FIG. 3 is a rear view;

FIG. 4 is a top view;

FIG. 5 is a bottom view;

FIG. 6 is a left side view;

FIG. 7 is a right side view;

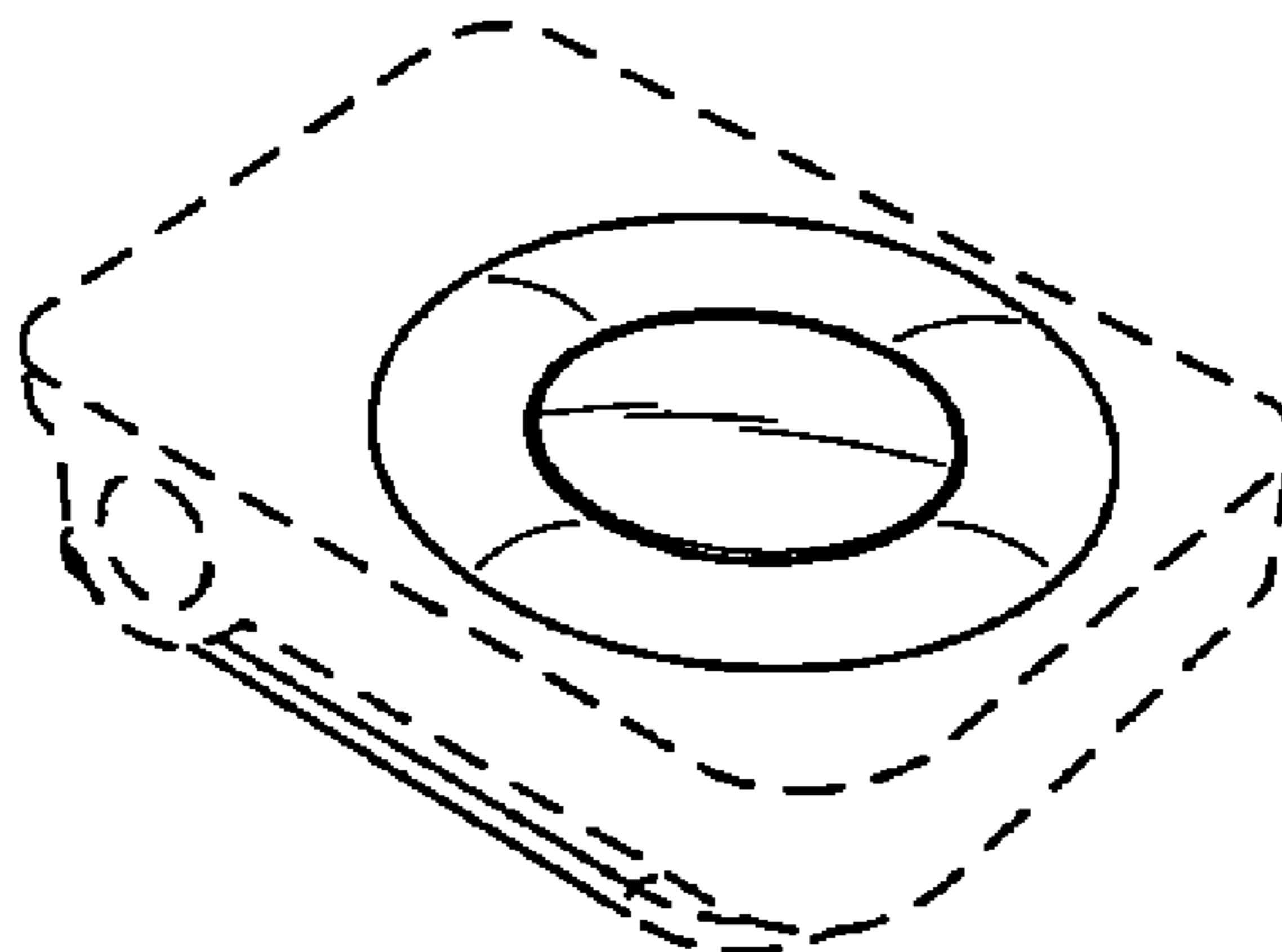
FIG. 8 is another front perspective view of the remote controller in an opened position;

FIG. 9 is a rear perspective view thereof; and,

FIG. 10 is a front view of the remote controller in an environment in which it may be used.

The features shown in broken lines in the various Figures are for illustrating environmental structure and form no part of the claimed design.

1 Claim, 2 Drawing Sheets



US D589,497 S

Page 2

U.S. PATENT DOCUMENTS

D358,152 S * 5/1995 Ito et al. D14/218
D374,693 S * 10/1996 Osborne D21/513
D405,424 S * 2/1999 Winkler et al. D13/168
D473,207 S * 4/2003 Tanio D14/168
D478,053 S * 8/2003 Andre et al. D13/168
6,675,300 B1 * 1/2004 Jung et al. 726/17
D529,044 S * 9/2006 Andre et al. D14/496
D530,340 S * 10/2006 Andre et al. D14/496
D556,155 S * 11/2007 Andre et al. D13/168
D559,860 S 1/2008 Andre et al.
D559,861 S 1/2008 Andre et al.

D560,212 S 1/2008 Andre et al.
D560,228 S 1/2008 Andre et al.
D569,389 S * 5/2008 Andre et al. D14/496

OTHER PUBLICATIONS

U.S. Appl. No. 29/283,601, filed Aug. 17, 2007, entitled "Media Device".
U.S. Appl. No. 29/283,605, filed Aug. 17, 2007, entitled "Media Device".
U.S. Appl. No. 29/296,899, filed Aug. 17, 2007, entitled "Media Device".

* cited by examiner

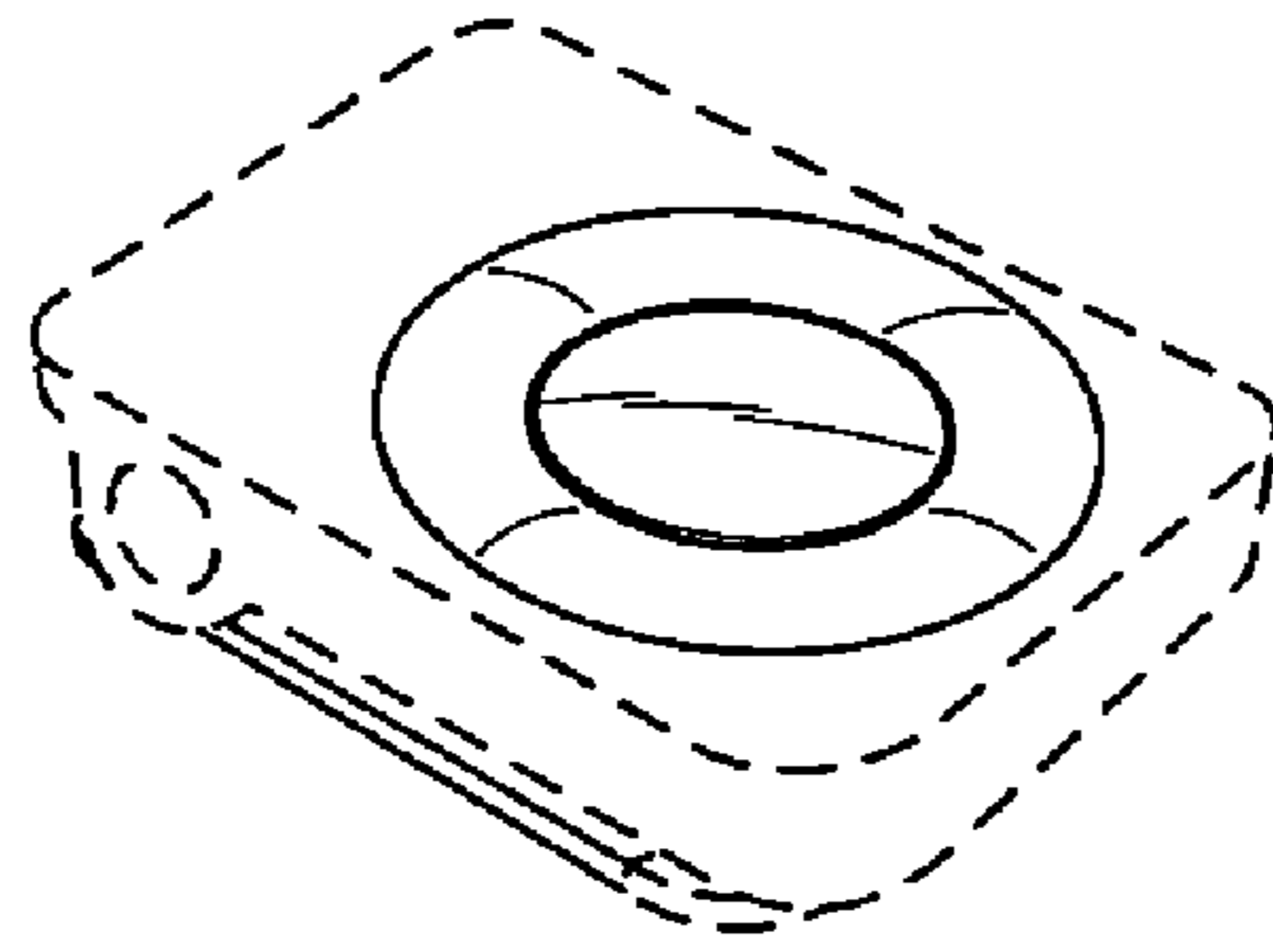


FIG. 1

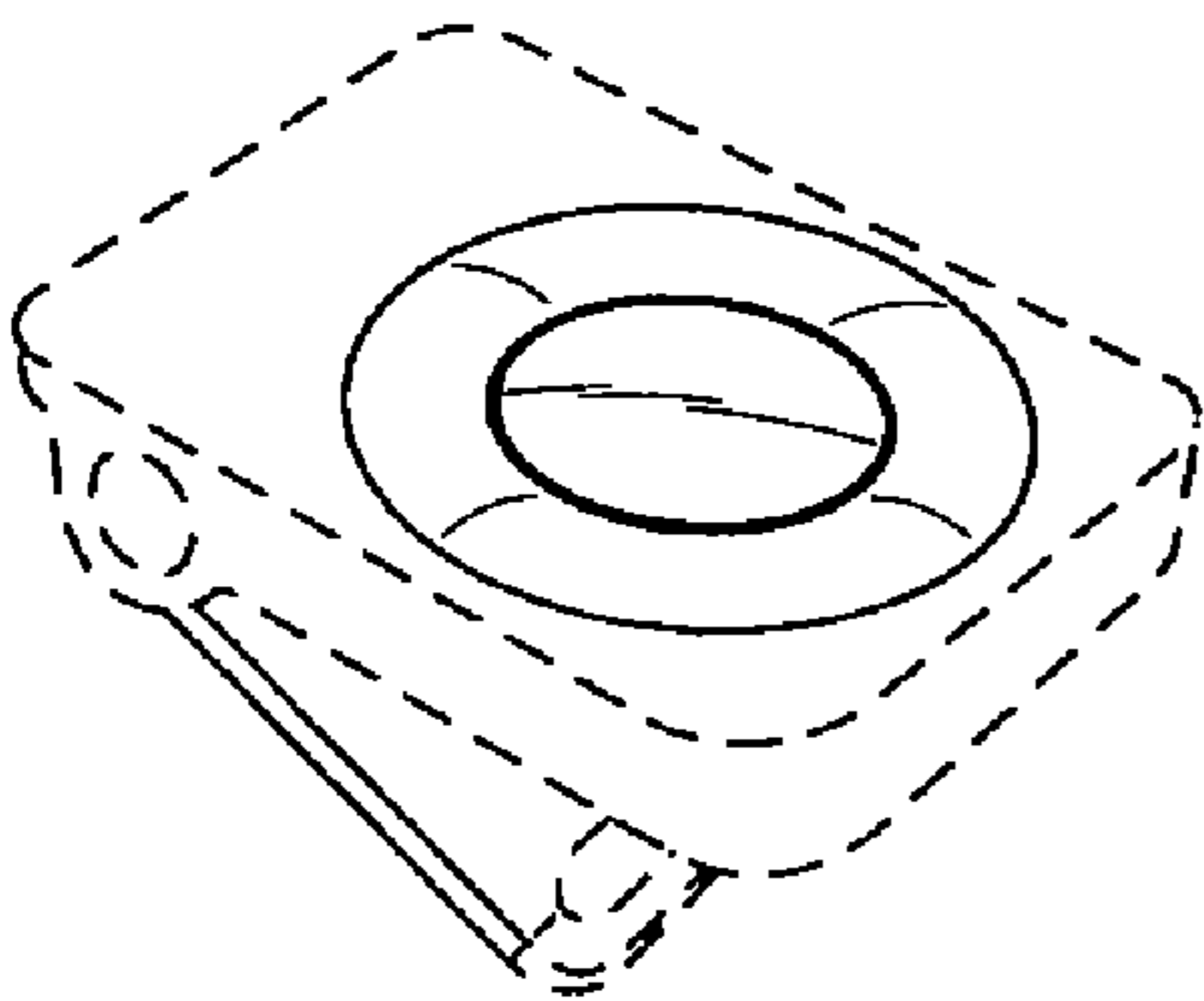


FIG. 8

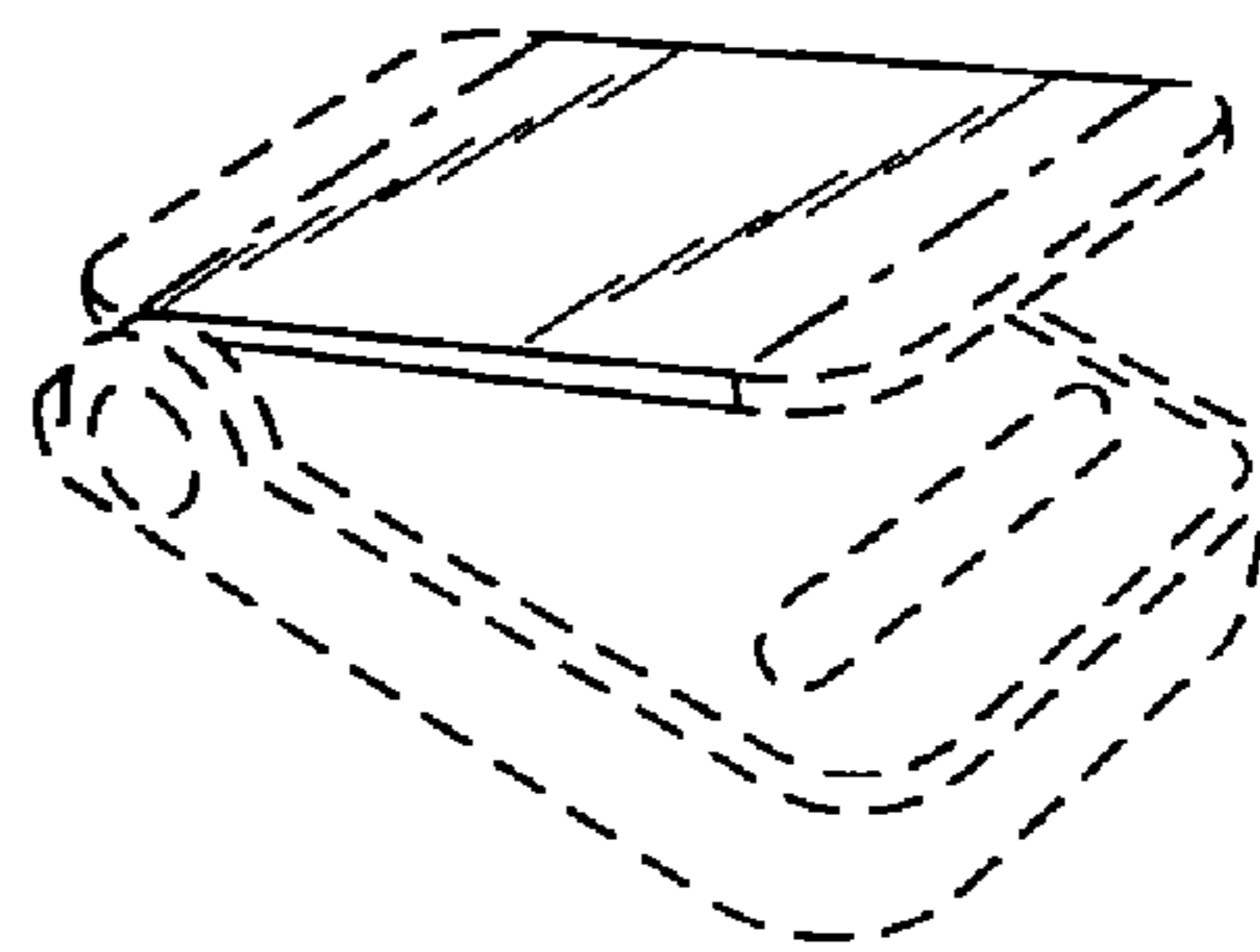


FIG. 9

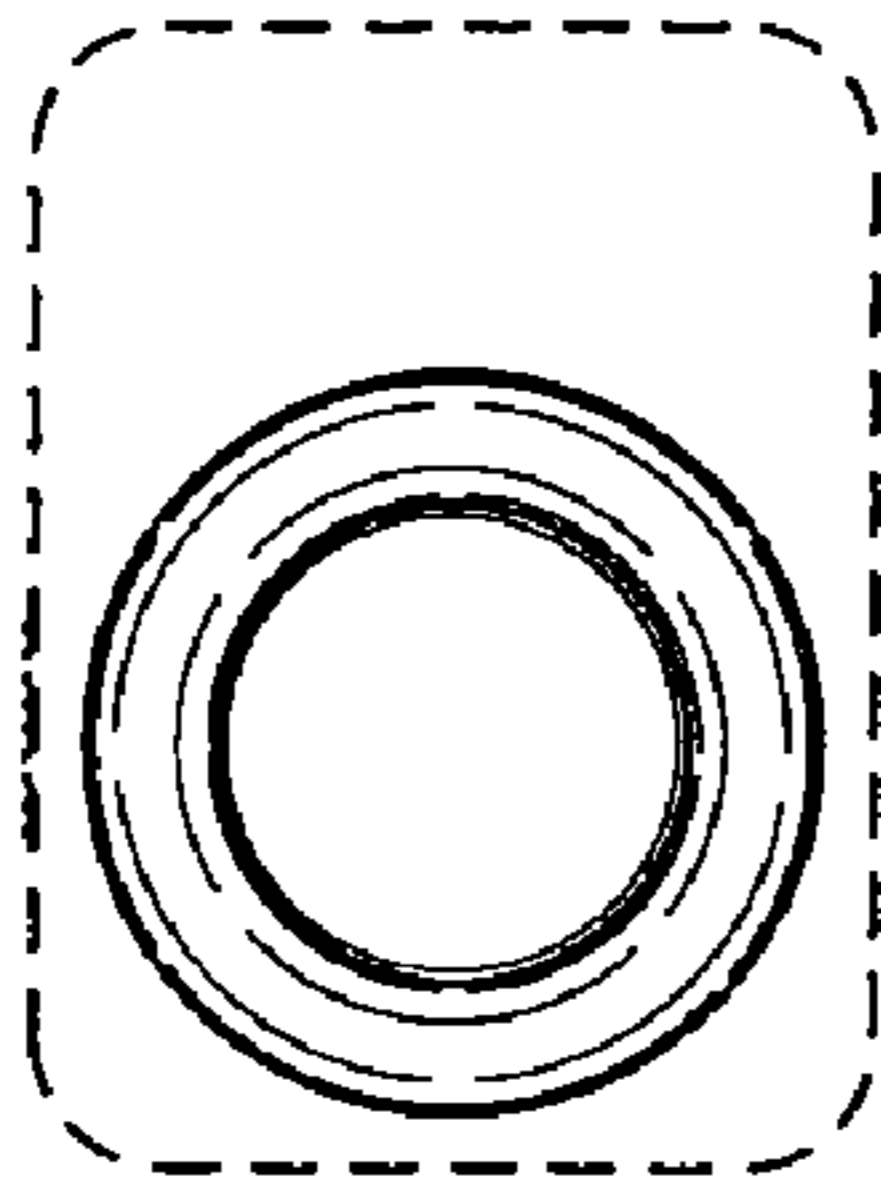


FIG. 2

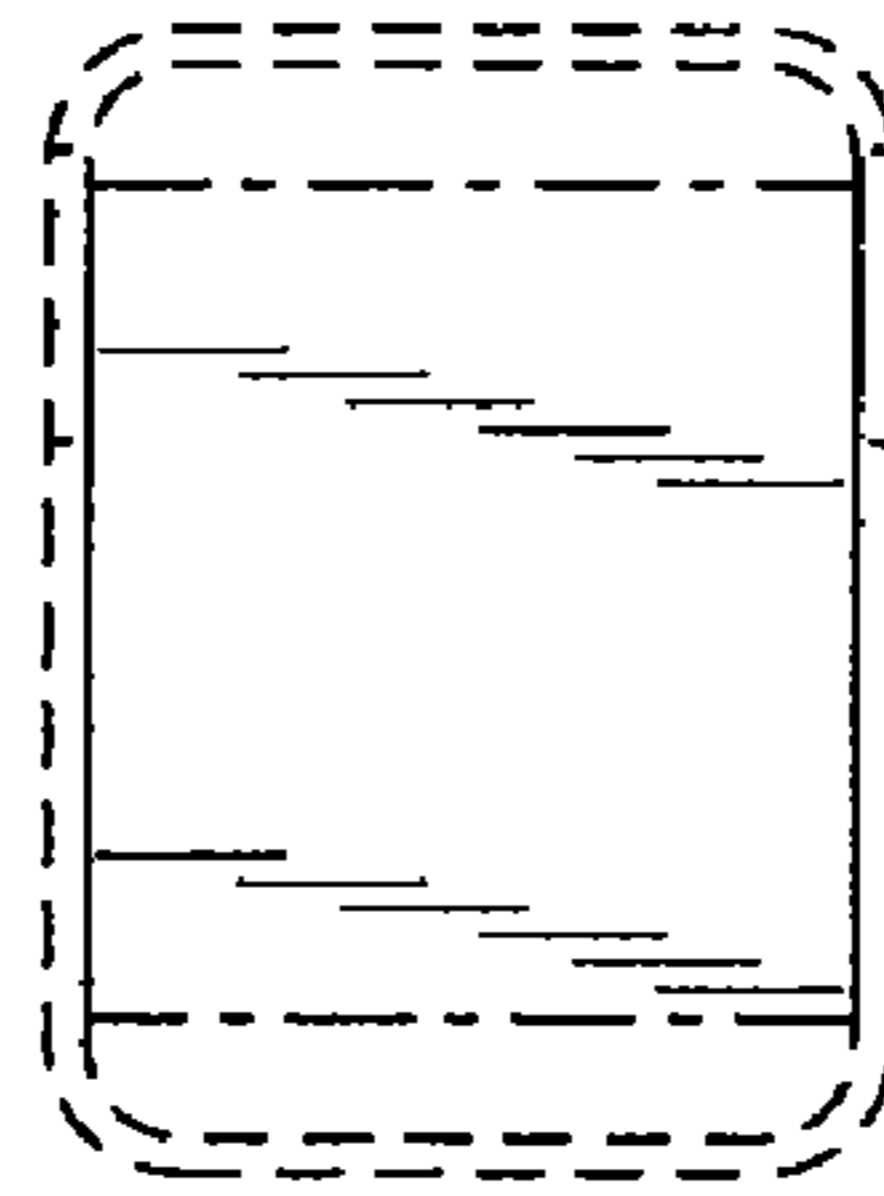


FIG. 3

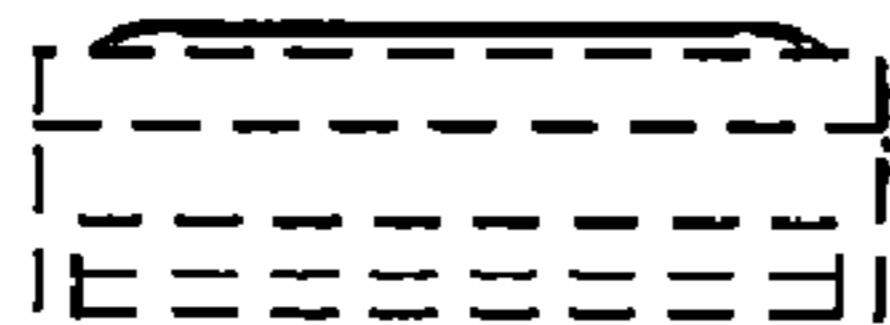


FIG. 4

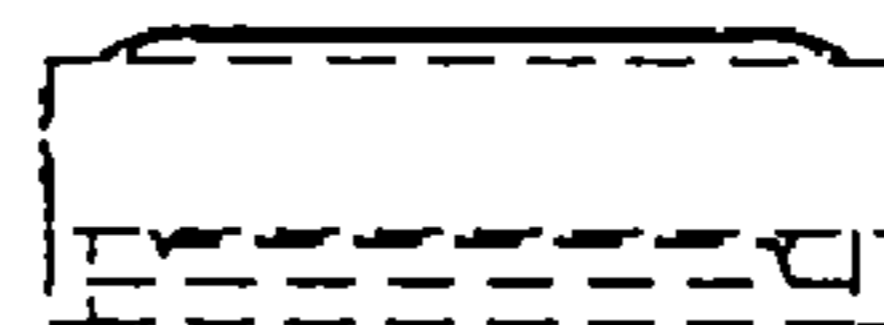


FIG. 5

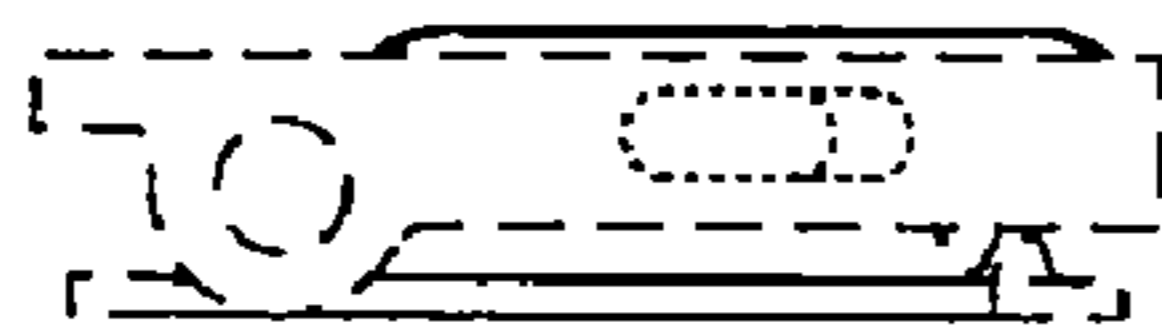


FIG. 6



FIG. 7

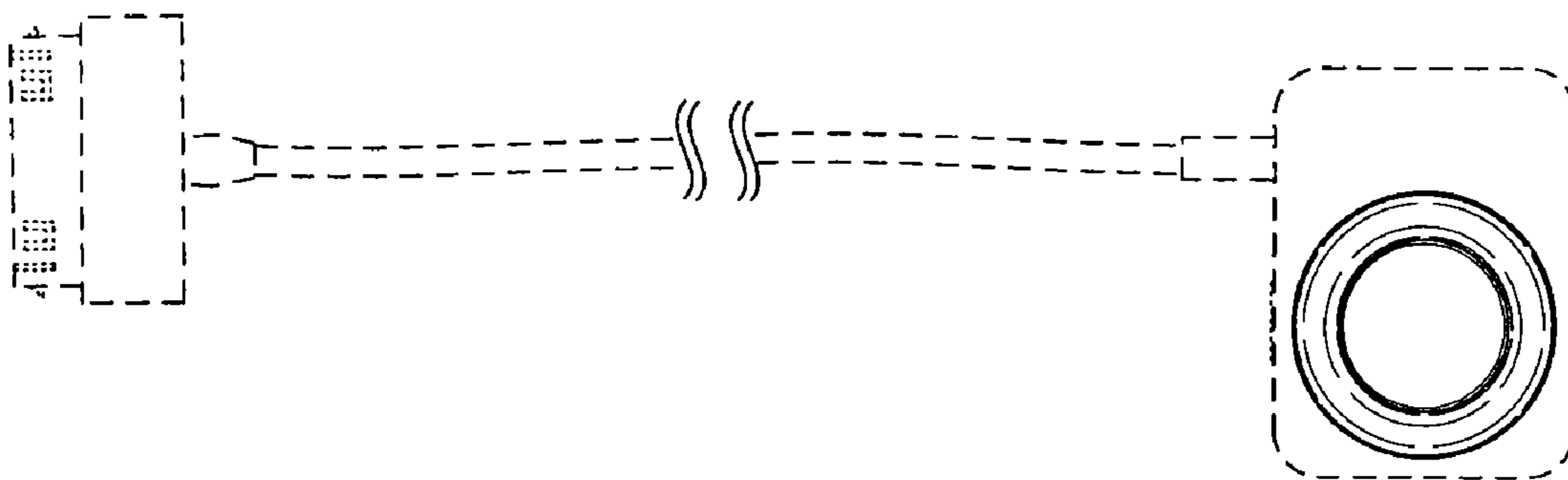


FIG. 10