



US00D589495S

(12) **United States Design Patent**
McKeand

(10) **Patent No.:** **US D589,495 S**
(45) **Date of Patent:** **** Mar. 31, 2009**

(54) **INLINE SPEAKER HOUSING**

(75) Inventor: **Scott J. McKeand**, Jeddo, MI (US)

(73) Assignee: **Jay and Kay Mfg. LLC**, Crosswell, MI (US)

(**) Term: **14 Years**

(21) Appl. No.: **29/321,802**

(22) Filed: **Jul. 24, 2008**

(51) **LOC (9) Cl.** **14-01**

(52) **U.S. Cl.** **D14/215; D14/214**

(58) **Field of Classification Search** D14/204,
D14/207, 210–216, 172; 181/143–144, 147–148,
181/150–153, 157, 198–199; 381/300–303,
381/306, 332–333, 336, 345, 361–364, 386–388;
324/96

See application file for complete search history.

(56) **References Cited**

U.S. PATENT DOCUMENTS

5,067,159 A * 11/1991 Kasai et al. 381/335
D536,334 S * 2/2007 Park et al. D14/214

7,242,176 B2 * 7/2007 Thomason 324/96

* cited by examiner

Primary Examiner—Nanda Bondade

(74) *Attorney, Agent, or Firm*—Brooks Kushman P.C.

(57) **CLAIM**

The design for an inline speaker housing, as shown and described.

DESCRIPTION

FIG. 1 is a perspective view of the inline speaker housing taken from the upper right hand side thereof;

FIG. 2 is a right side view thereof;

FIG. 3 is a front view thereof;

FIG. 4 is a top view thereof;

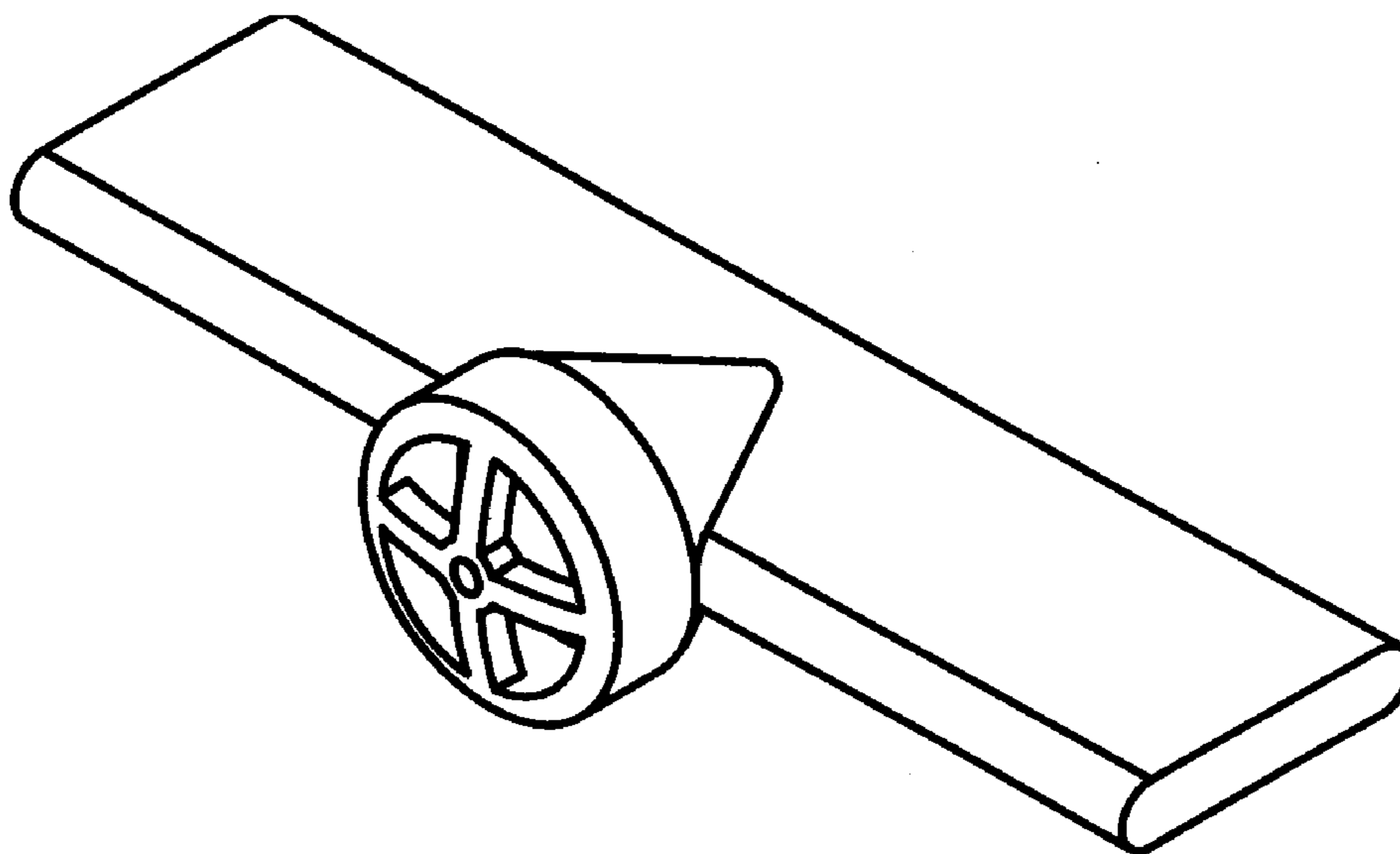
FIG. 5 is a left side view thereof;

FIG. 6 is a bottom view thereof;

FIG. 7 is a perspective view from the upper right rear perspective of FIG. 1; and,

FIG. 8 is a rear view thereof.

1 Claim, 2 Drawing Sheets



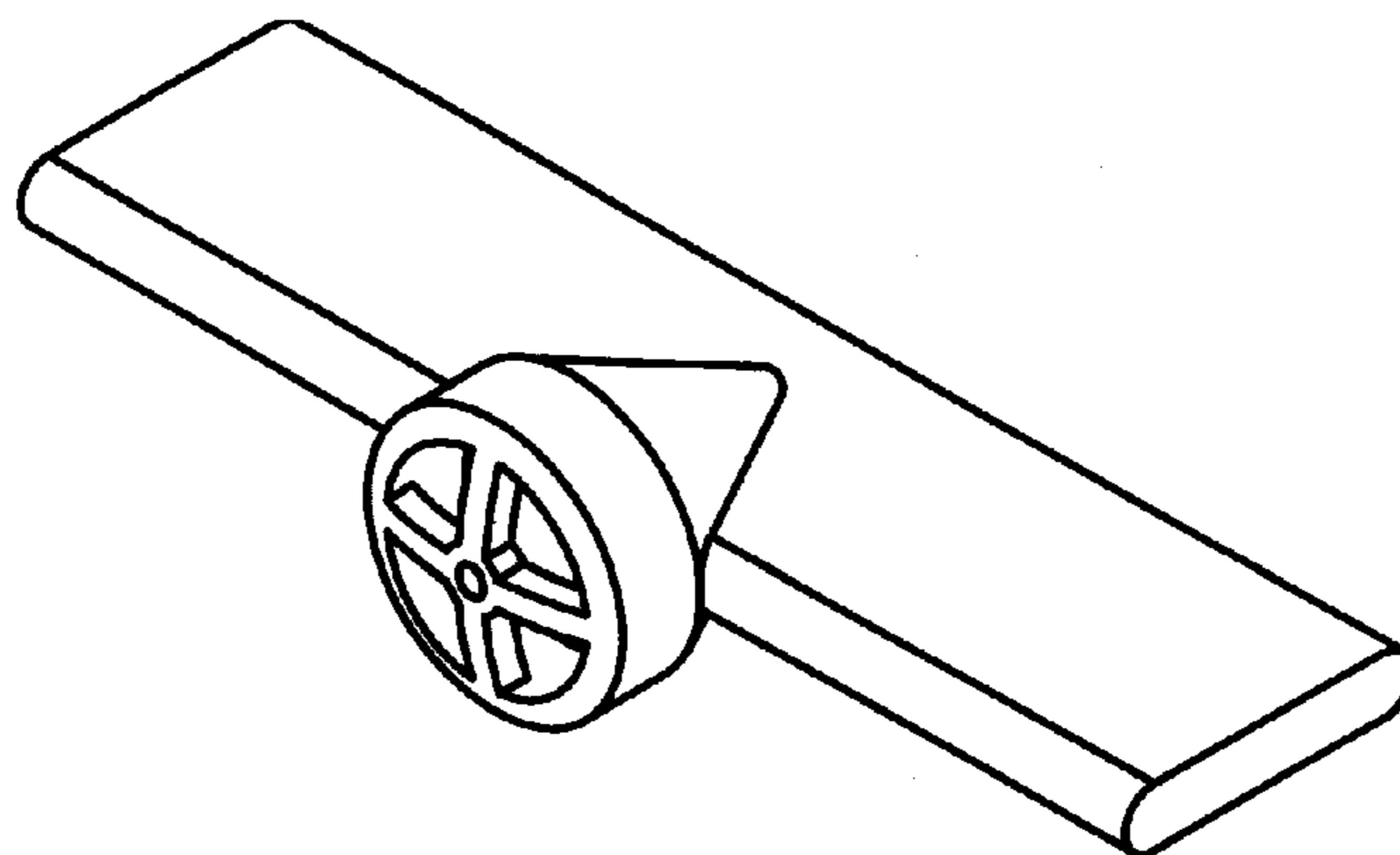


FIG. 1

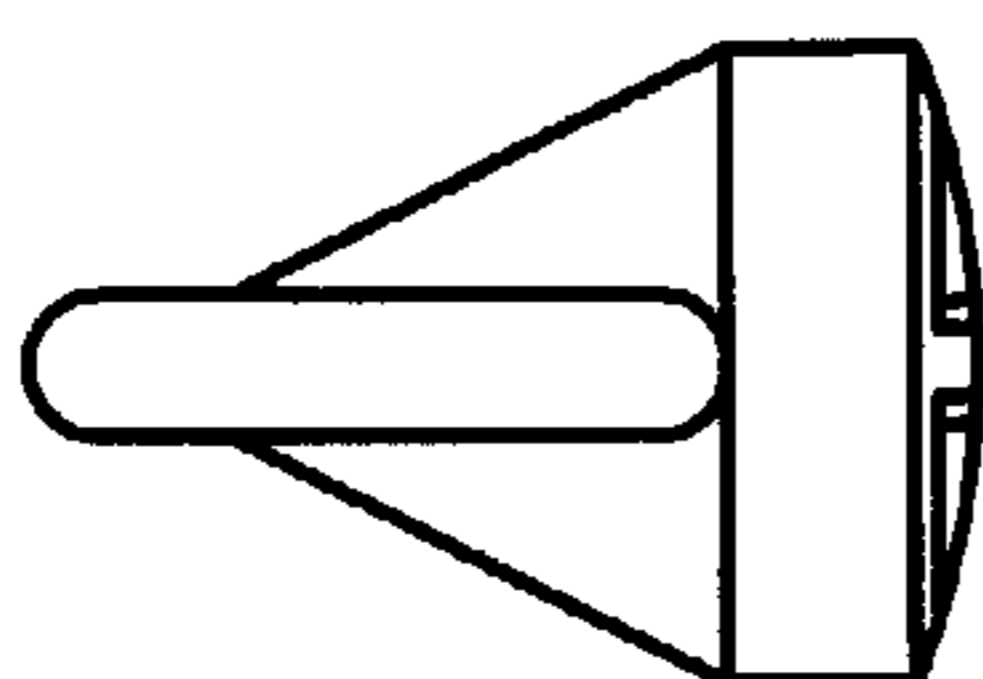


FIG. 2

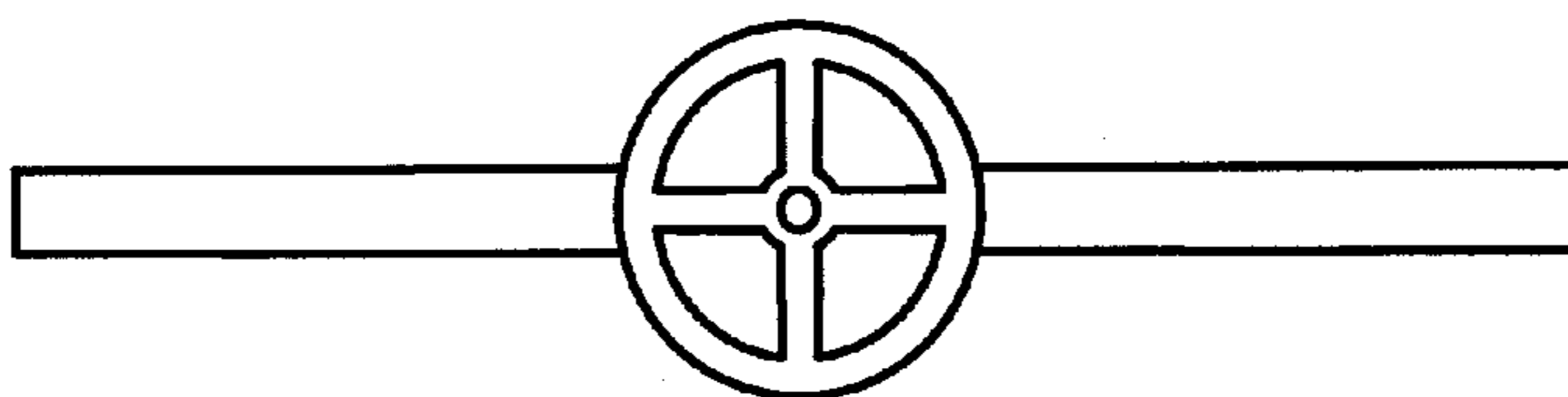


FIG. 3

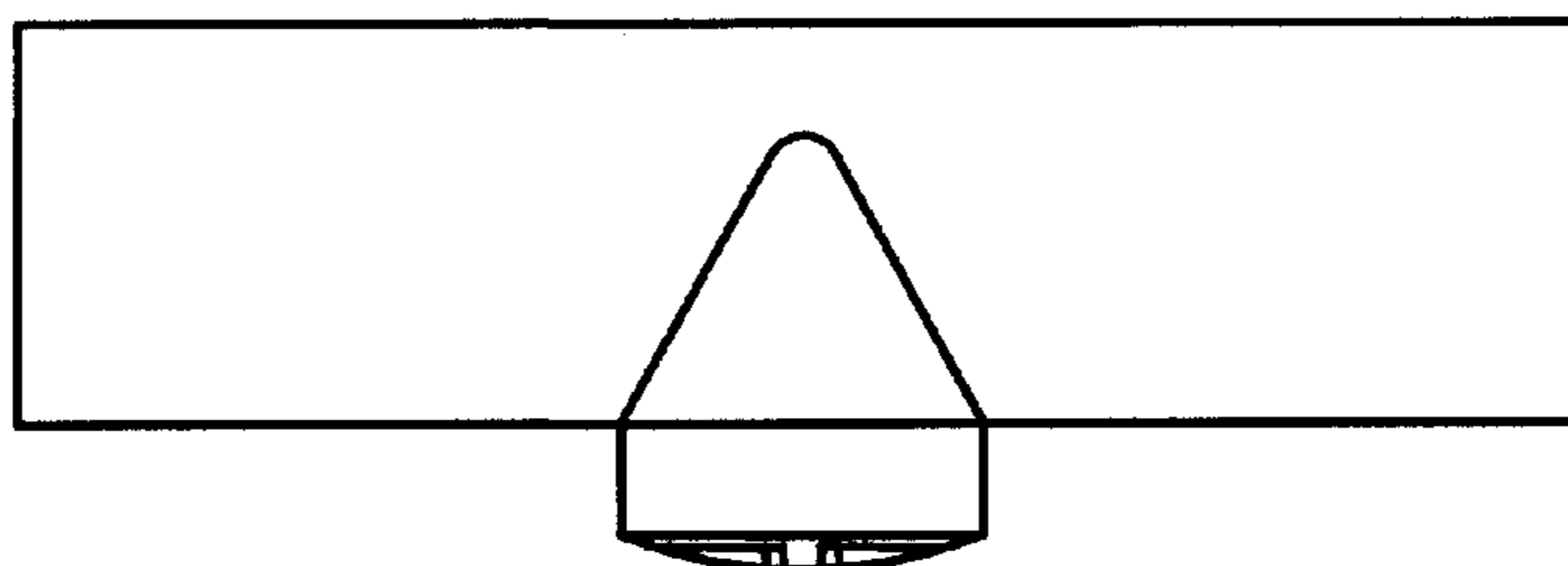


FIG. 4

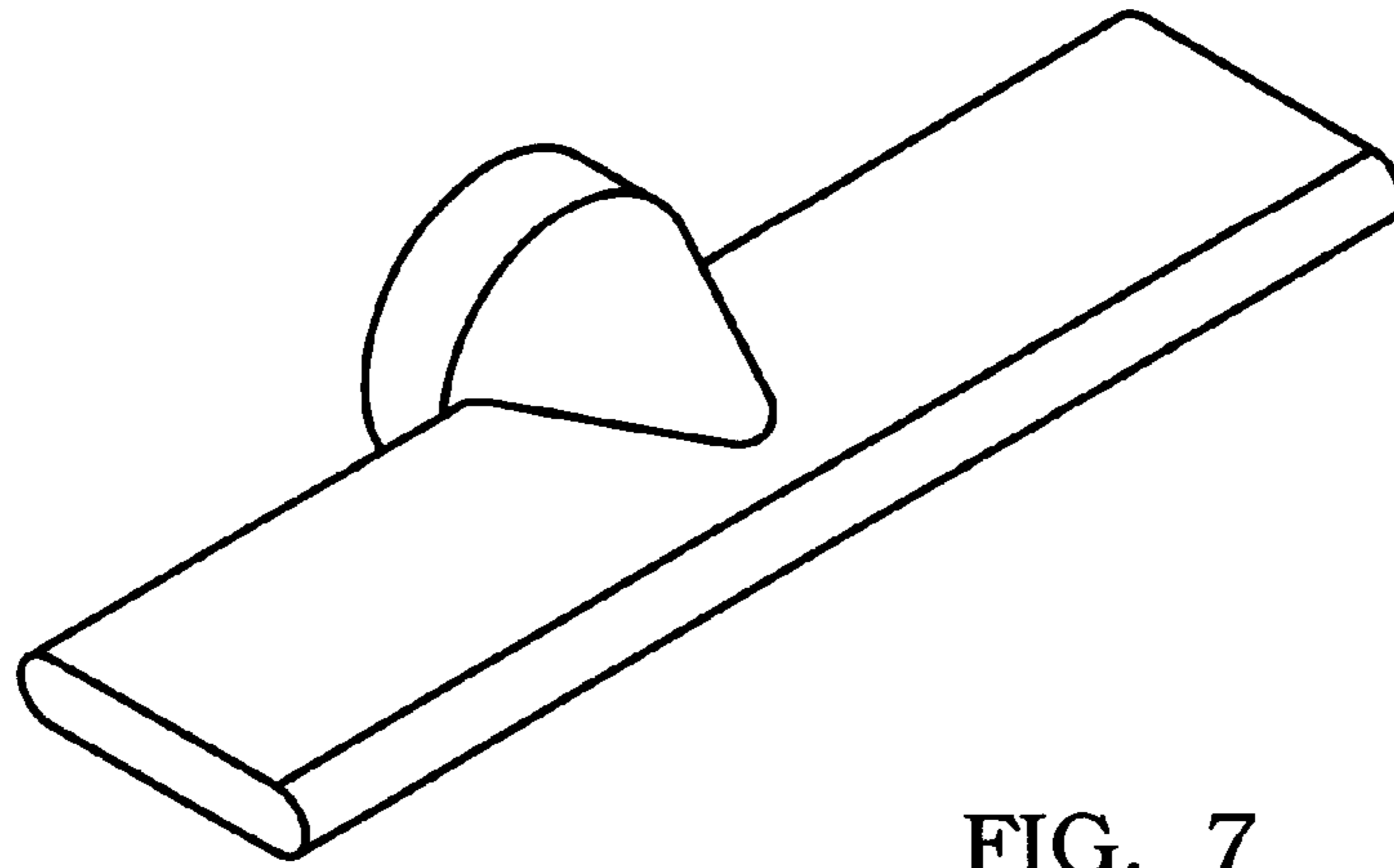


FIG. 7

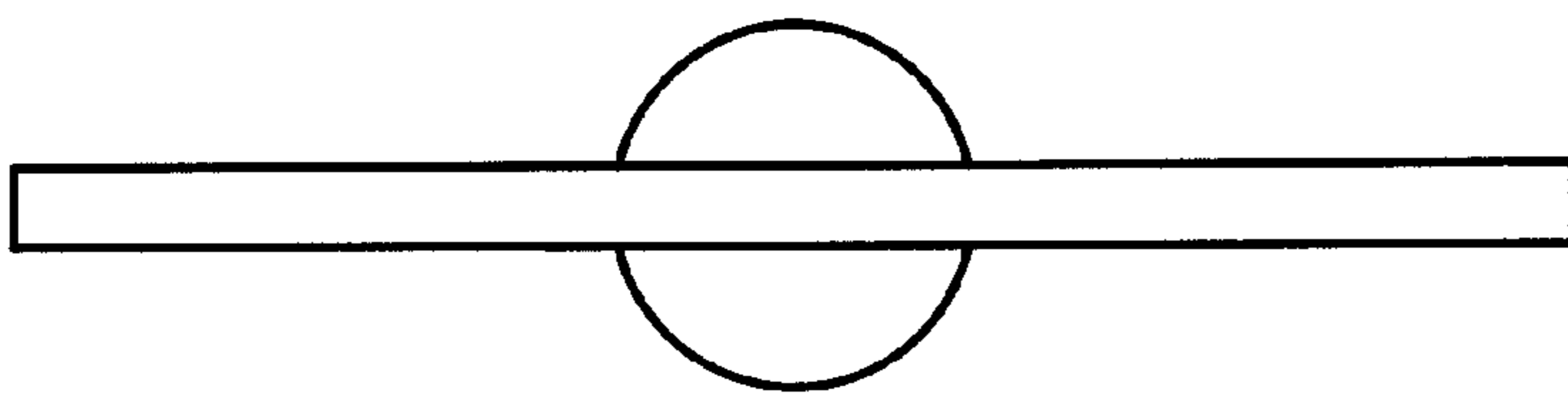


FIG. 8

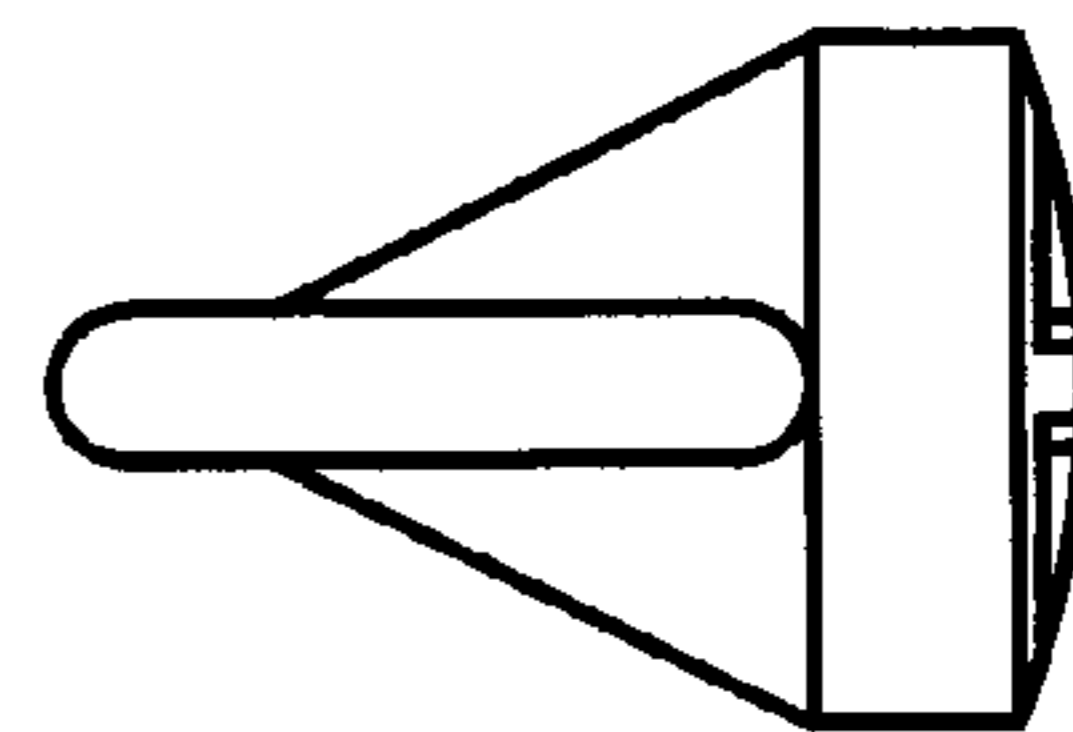


FIG. 5

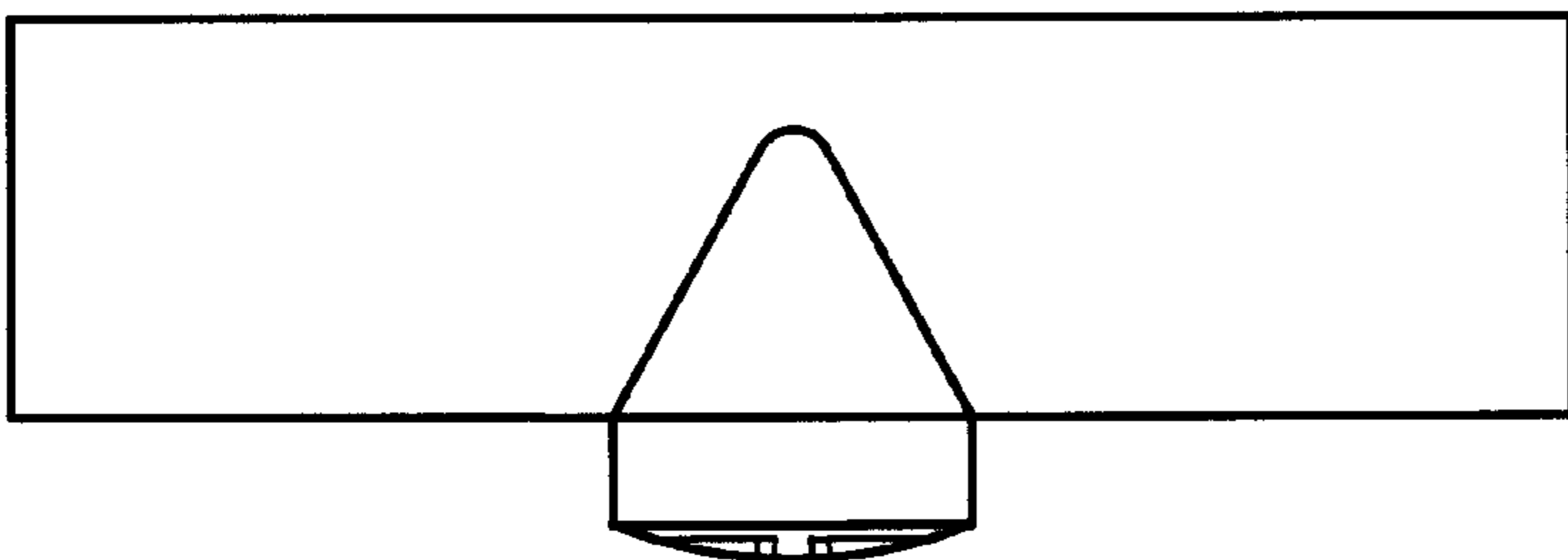


FIG. 6