



US00D589493S

(12) **United States Design Patent**  
**Densho**

(10) **Patent No.:** **US D589,493 S**  
(45) **Date of Patent:** **\*\* Mar. 31, 2009**

(54) **EARPHONE**

(75) Inventor: **Keiko Densho**, Tokyo (JP)

(73) Assignee: **Sony Corporation**, Tokyo (JP)

(\*\*) Term: **14 Years**

(21) Appl. No.: **29/300,245**

(22) Filed: **Mar. 5, 2008**

(30) **Foreign Application Priority Data**

Sep. 11, 2007 (JP) ..... D2007-024735

(51) **LOC (9) Cl.** ..... **14-01**

(52) **U.S. Cl.** ..... **D14/206**

(58) **Field of Classification Search** ..... D14/205,  
D14/206, 223; D24/174; 379/430; 181/129,  
181/130; 381/322, 324, 380, 370; 128/865  
See application file for complete search history.

(56) **References Cited**

**U.S. PATENT DOCUMENTS**

D431,553 S	10/2000	Suzuki	
D474,171 S	5/2003	Suzuki	
D485,548 S	1/2004	Obata	
D487,077 S	2/2004	Obata	
D519,107 S *	4/2006	Yang	D14/223
D529,901 S *	10/2006	Ohta	D14/223
D539,268 S *	3/2007	Suzuki	D14/206
D542,782 S *	5/2007	Pena Angarita	D14/223

D550,657 S *	9/2007	Gan et al.	D14/223
D554,627 S *	11/2007	Gondo	D14/223
D555,152 S *	11/2007	Wang	D14/223
D557,689 S *	12/2007	Huang	D14/223
D558,735 S *	1/2008	Carr et al.	D14/206
D564,495 S *	3/2008	Sasaki	D14/205
D566,099 S *	4/2008	Komiyama	D14/206
D573,978 S *	7/2008	Ledbetter et al.	D14/205
D574,361 S *	8/2008	Sasaki	D14/205

\* cited by examiner

*Primary Examiner*—Paula Greene

(74) *Attorney, Agent, or Firm*—Rader, Fishman & Grauer, PLLC

(57) **CLAIM**

The ornamental design for an earphone, as shown.

**DESCRIPTION**

FIG. 1 is a perspective view of an earphone showing my new design;

FIG. 2 is a front elevational view thereof;

FIG. 3 is a rear elevational view thereof;

FIG. 4 is a left side elevational view thereof;

FIG. 5 is a right side elevational view thereof;

FIG. 6 is a top plan view thereof; and,

FIG. 7 is a bottom plan view thereof.

**1 Claim, 7 Drawing Sheets**

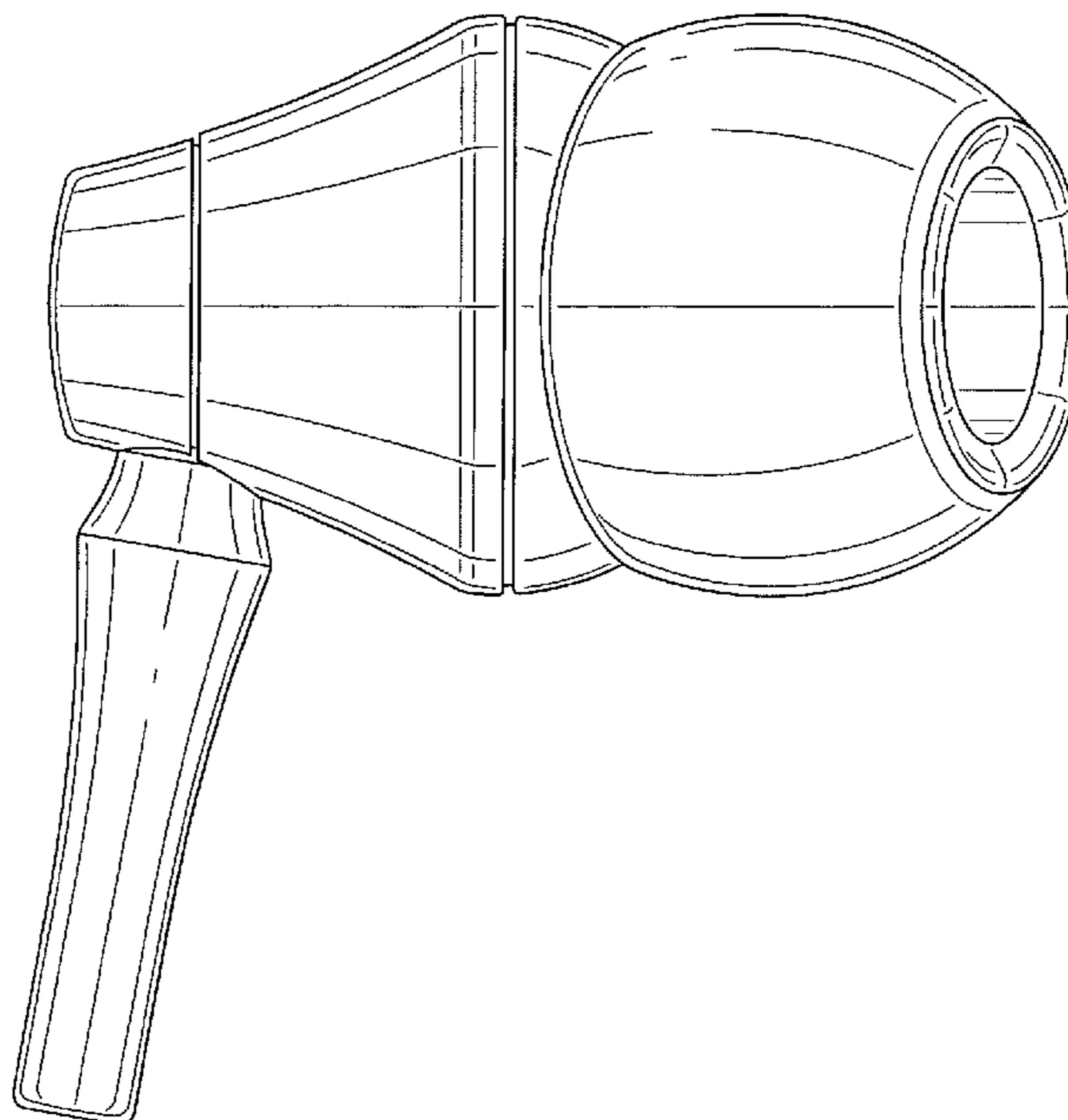
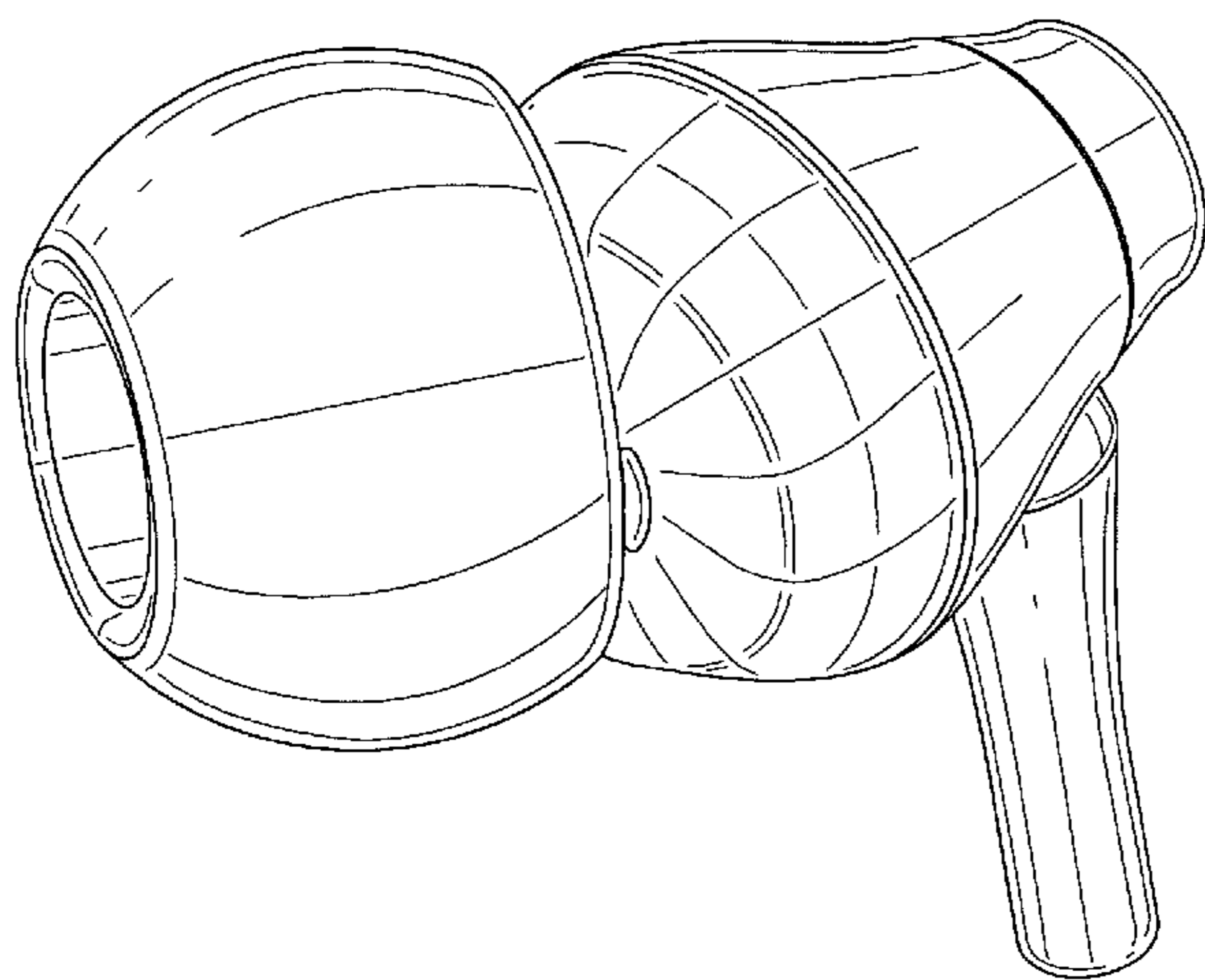


FIG.1

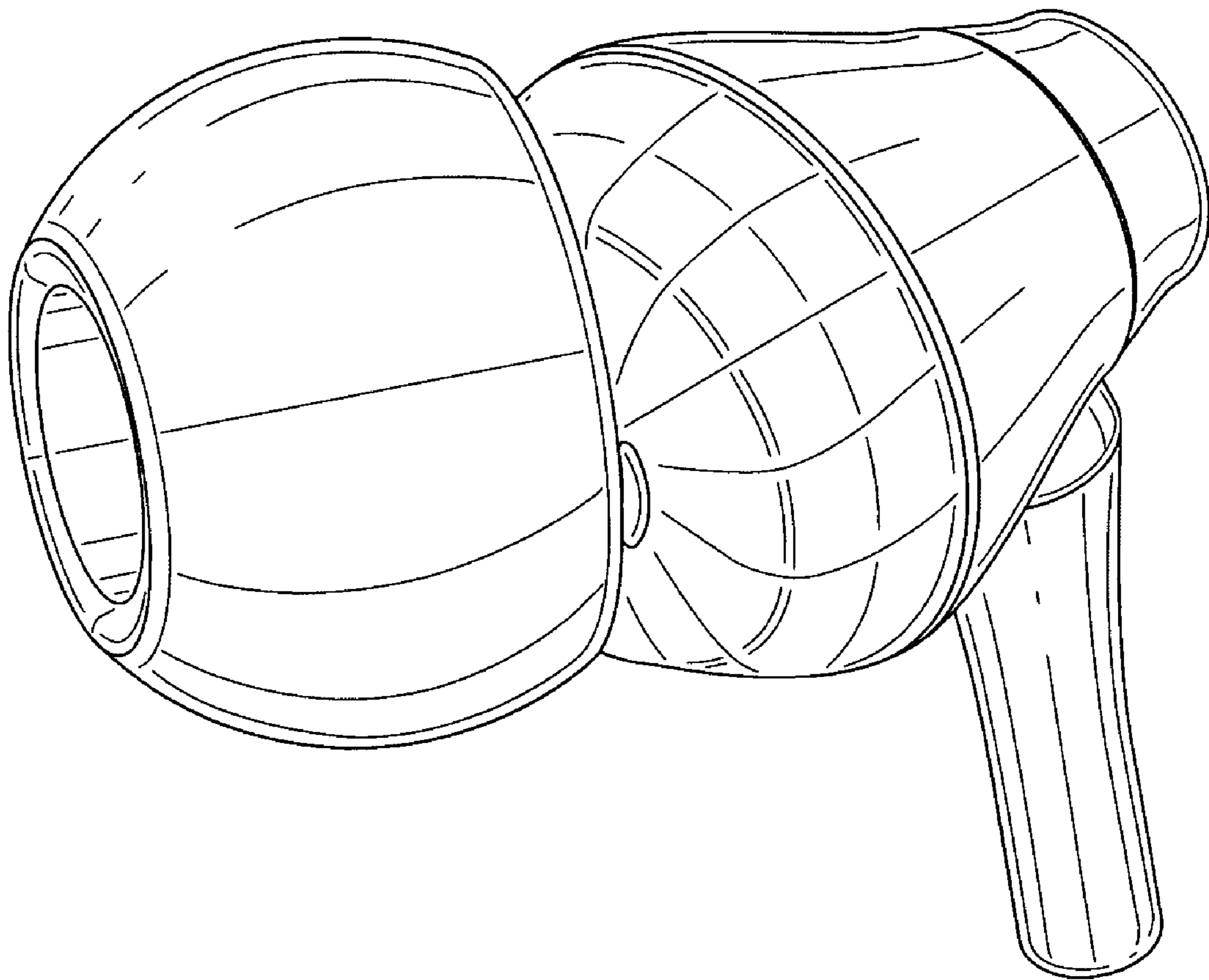


FIG.2

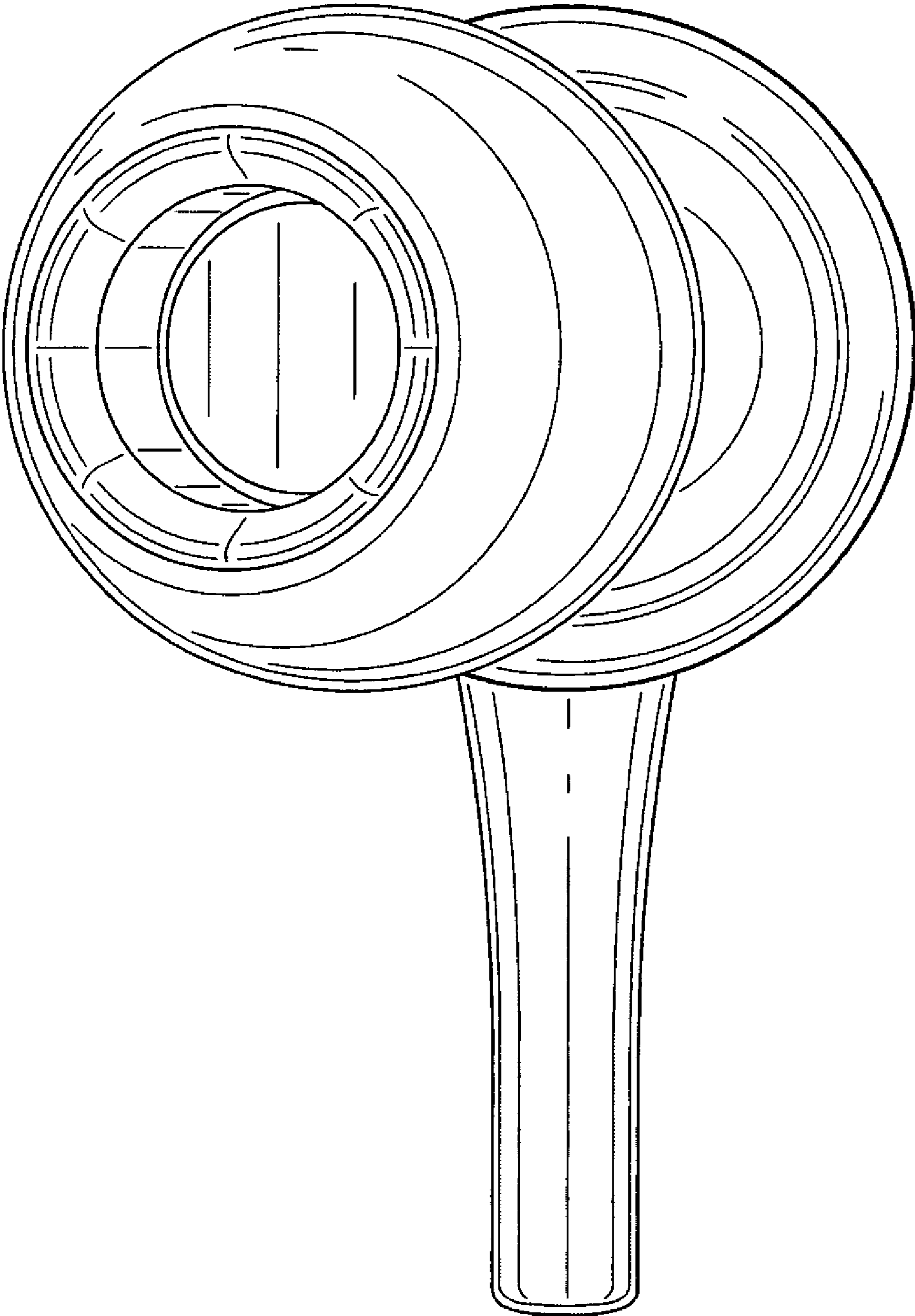


FIG.3

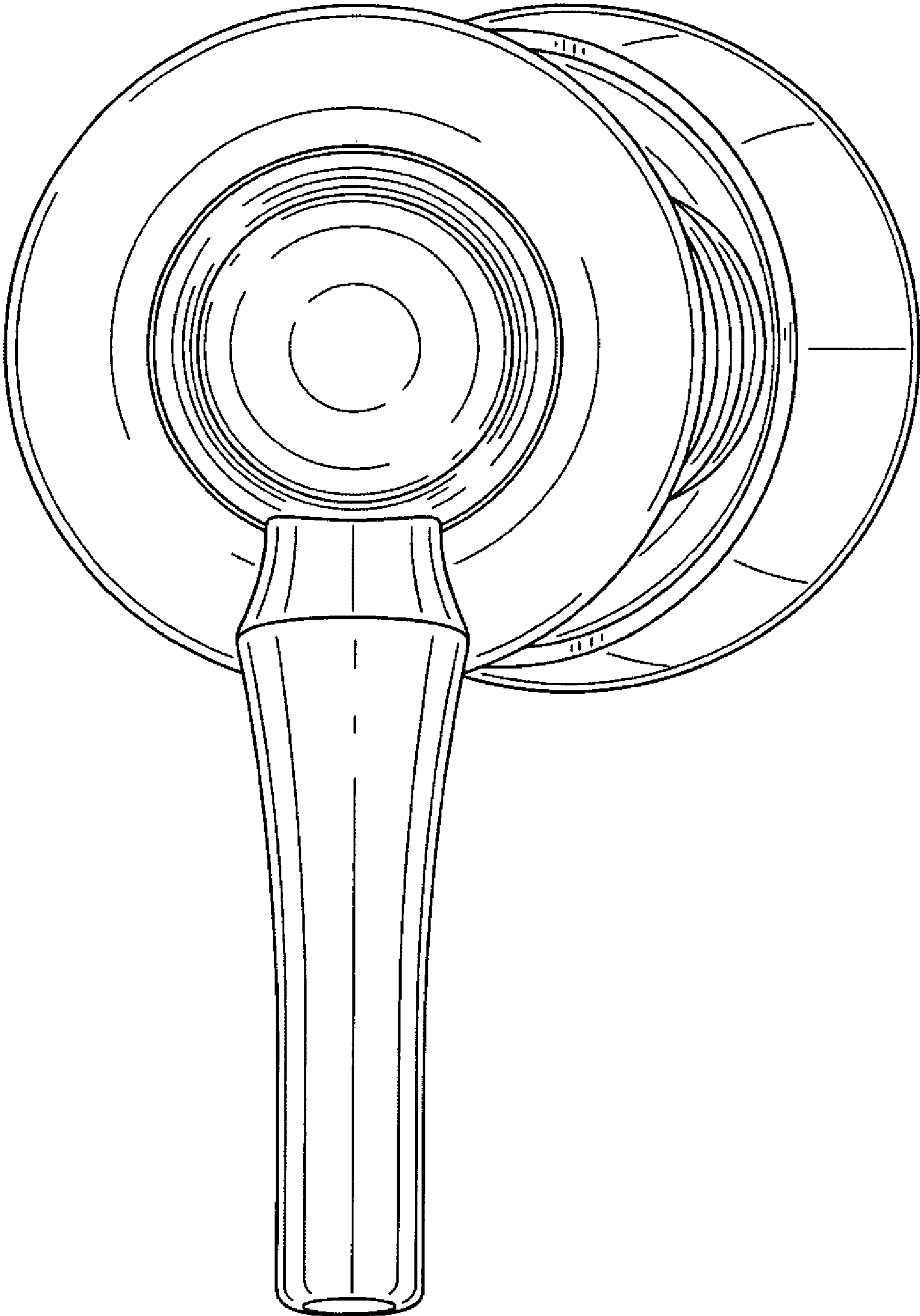


FIG.4

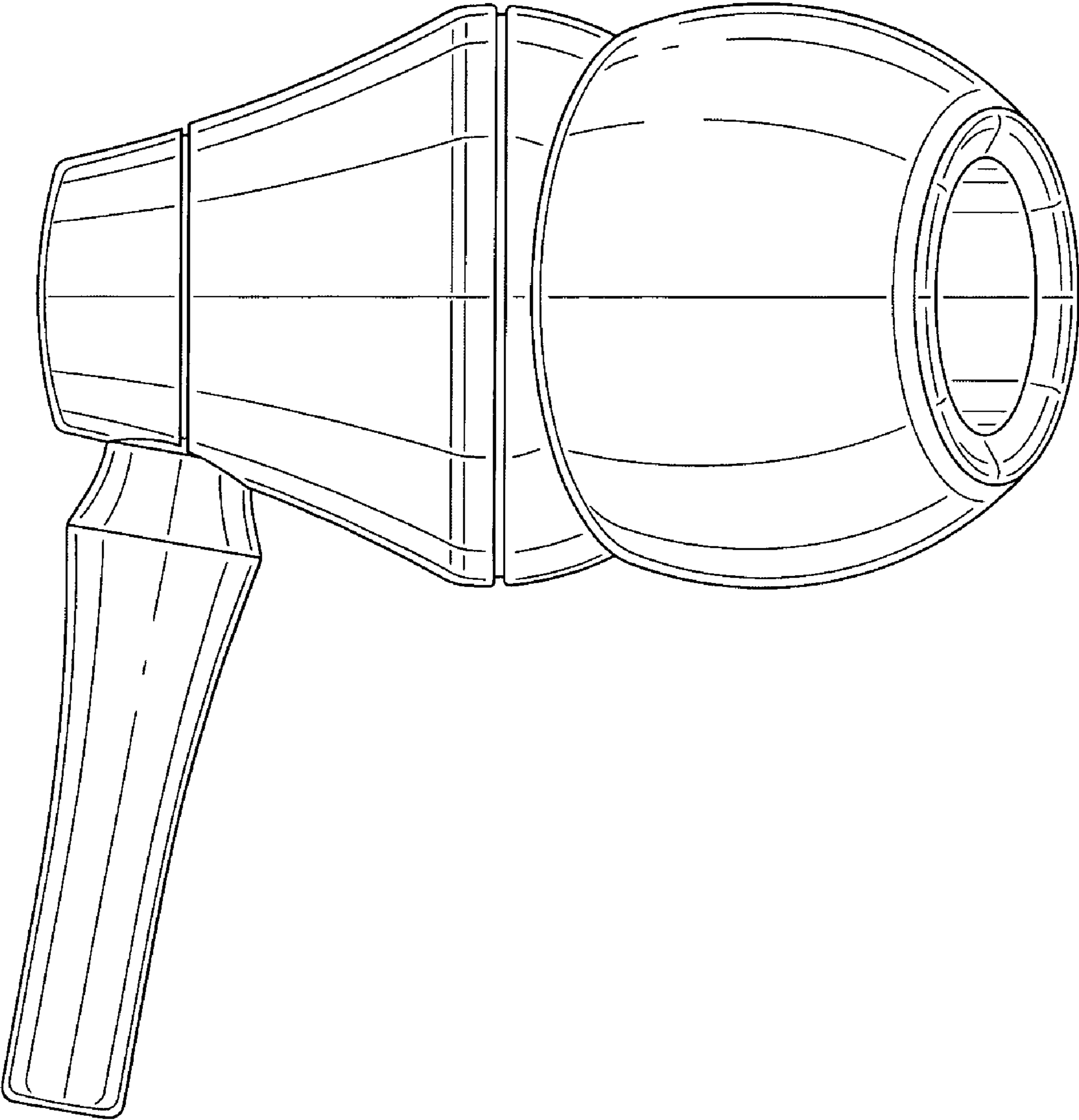




FIG.5

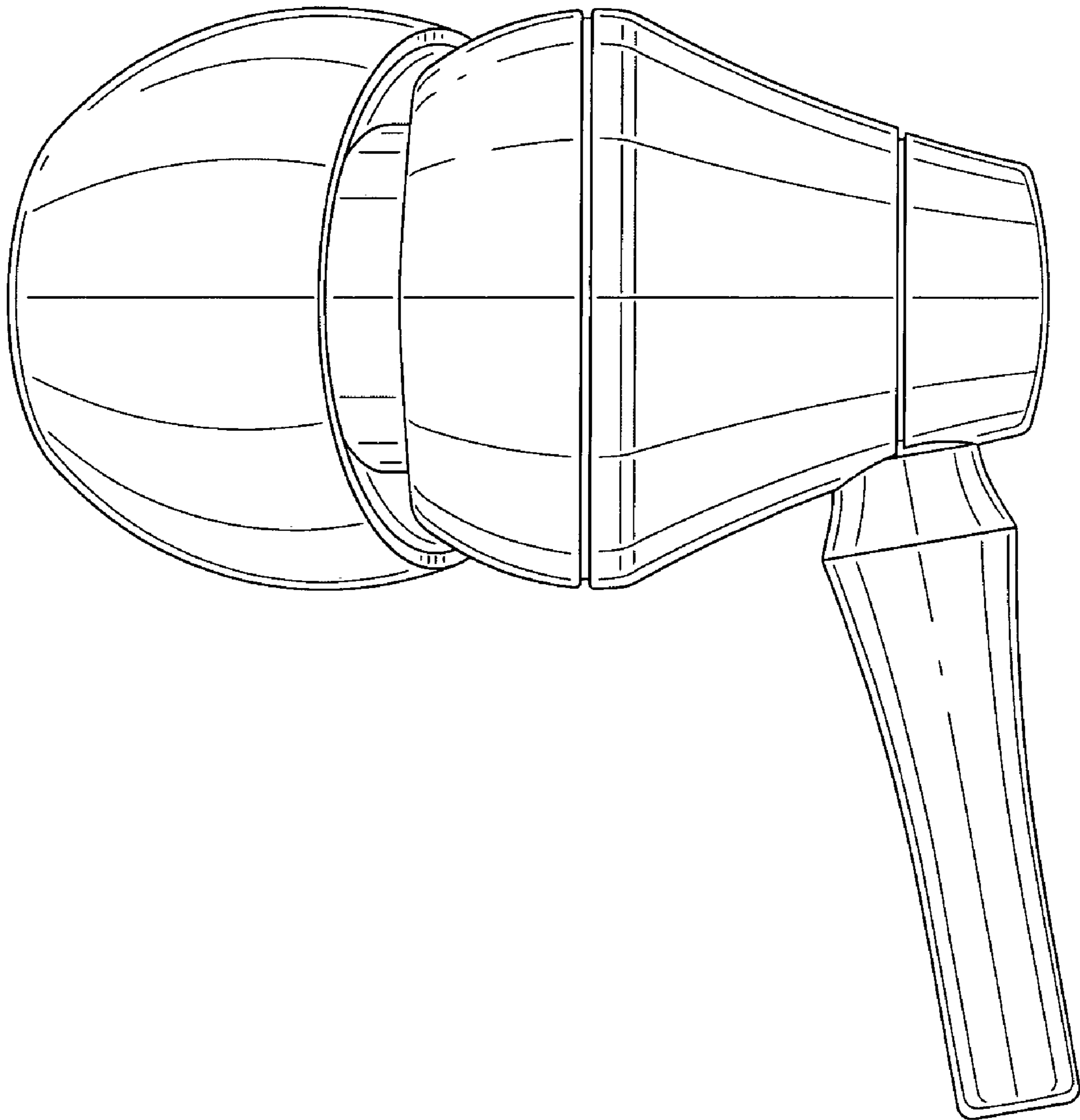


FIG.6

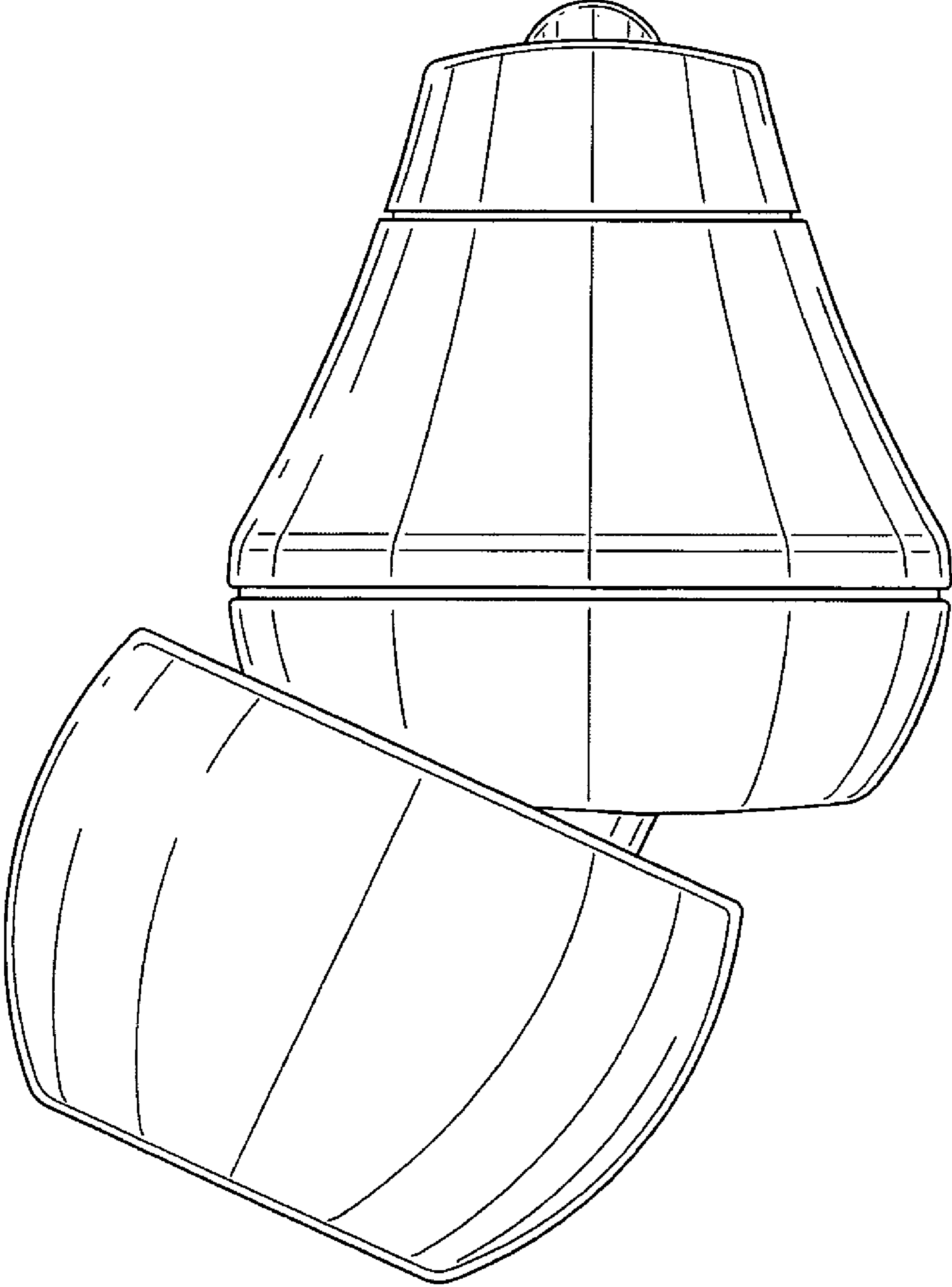


FIG.7

