



US00D589492S

(12) **United States Design Patent**
Mistry

(10) **Patent No.:** **US D589,492 S**

(45) **Date of Patent:** **** Mar. 31, 2009**

(54) **COMMUNICATIONS HEADSET**

(75) Inventor: **Manoj Mistry**, Santa Cruz, CA (US)

(73) Assignee: **Plantronics, Inc.**, Santa Cruz, CA (US)

(**) Term: **14 Years**

(21) Appl. No.: **29/320,165**

(22) Filed: **Jun. 23, 2008**

(51) **LOC (9) Cl.** **14-01**

(52) **U.S. Cl.** **D14/205**

(58) **Field of Classification Search** D14/188,
D14/192, 205, 206, 223, 221, 222, 224; 181/129,
181/130; 379/430, 433; 381/74, 370, 371,
381/372, 376, 377, 378, 379, 380, 381, 309,
381/382; 455/575.1, 575.2, 90.3; 2/209,
2/410, 423; D29/112; 128/857, 866; 24/3.1
See application file for complete search history.

(56) **References Cited**

U.S. PATENT DOCUMENTS

D229,833	S	*	1/1974	Becker	D14/205
D254,183	S	*	2/1980	Doodson	D14/205
4,958,697	A	*	9/1990	Moody	181/129
D431,550	S	*	10/2000	Yoneda	D14/205
D453,015	S	*	1/2002	Yuyama	D14/205
6,449,806	B1	*	9/2002	Engelhard et al.	24/3.1
6,483,925	B1	*	11/2002	Shen et al.	381/370

D542,774	S	*	5/2007	Rausch et al.	D14/206
D556,187	S	*	11/2007	Feng	D14/205
D567,220	S	*	4/2008	Wang	D14/206
D576,604	S	*	9/2008	Suzuki	D14/205
D581,394	S	*	11/2008	Lee	D14/205

* cited by examiner

Primary Examiner—Paula Greene

(74) *Attorney, Agent, or Firm*—Michael Rodriguez

(57) **CLAIM**

The ornamental design for a communications headset, as shown and described.

DESCRIPTION

FIG. 1 is a front-top-right perspective view of a communications headset showing our new design; the front top left perspective view is a mirror image of the earpiece.

FIG. 2 is a front view thereof;

FIG. 3 is a back view thereof;

FIG. 4 is a left side view thereof;

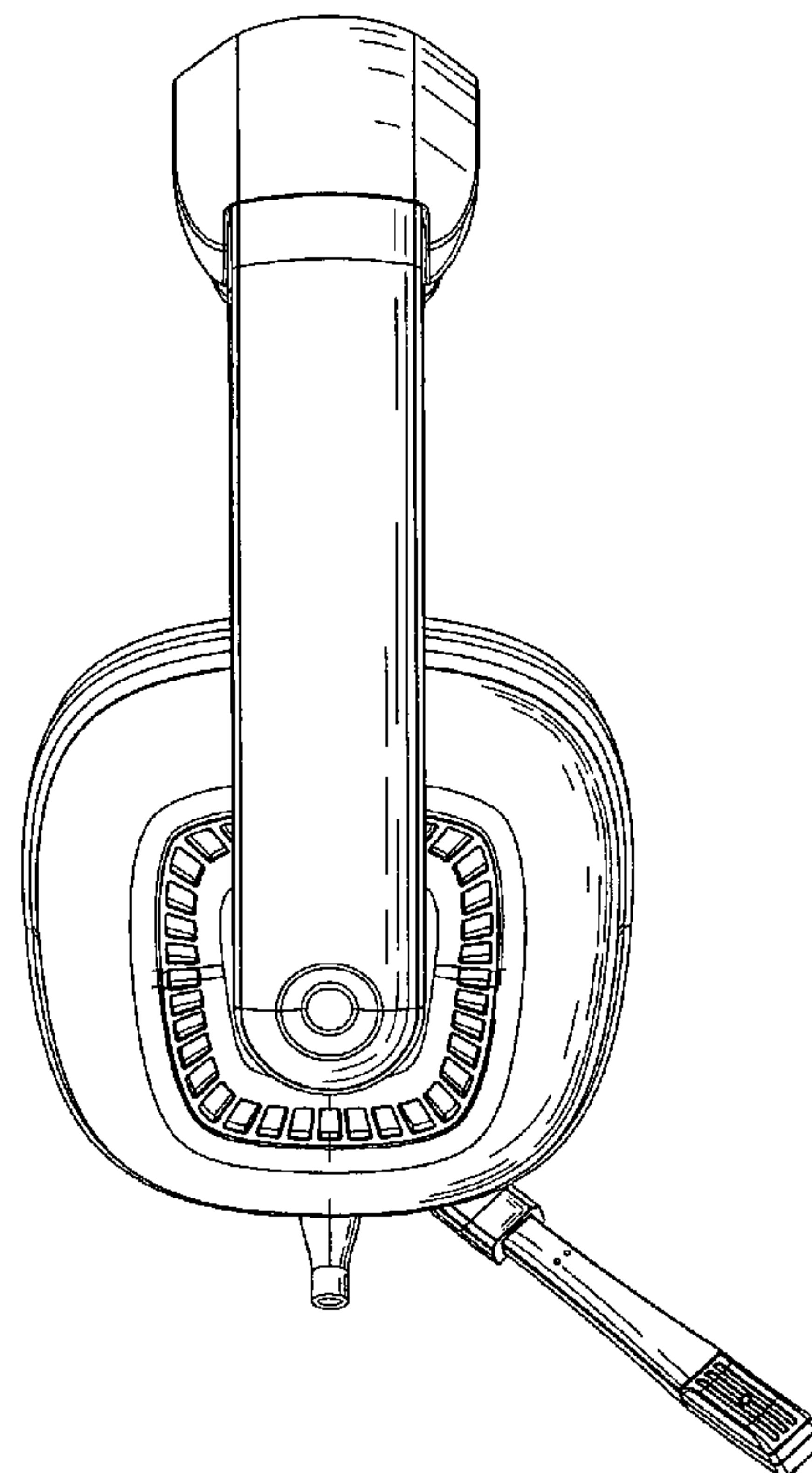
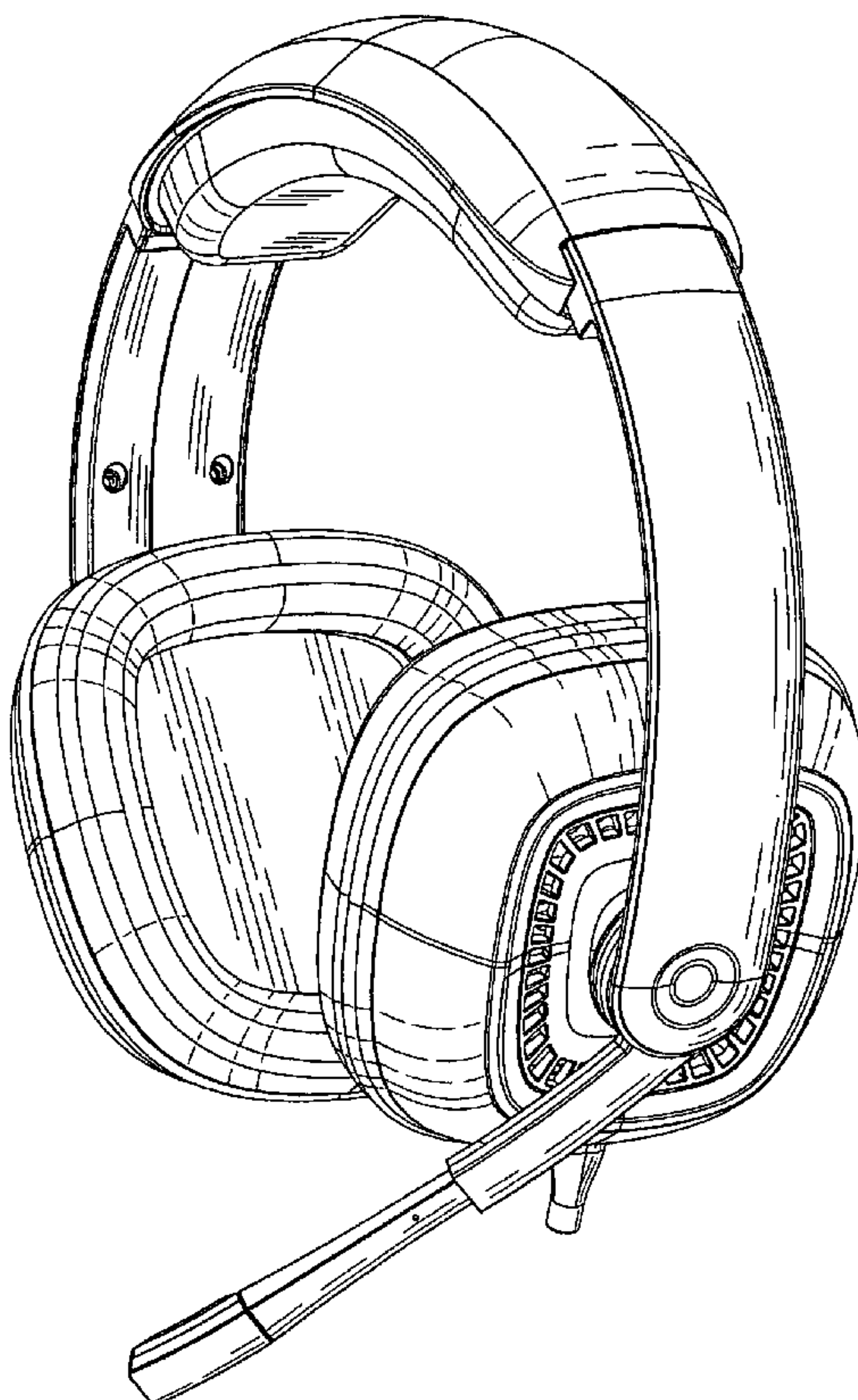
FIG. 5 is a right side view thereof;

FIG. 6 is a top view thereof; and,

FIG. 7 is a bottom view thereof.

The broken lines in FIG. 6 form no part of the claimed design.

1 Claim, 6 Drawing Sheets



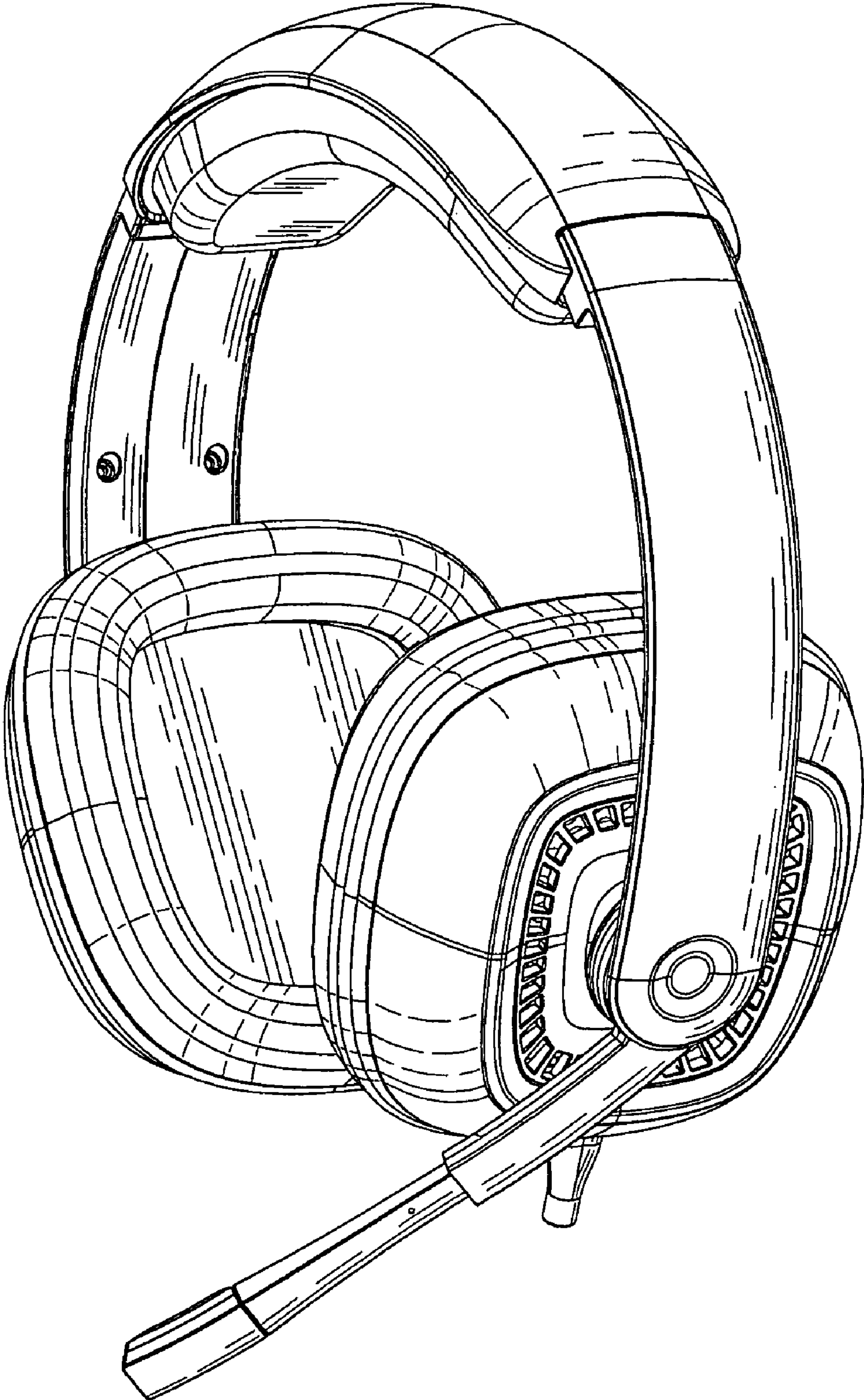


FIG. 1

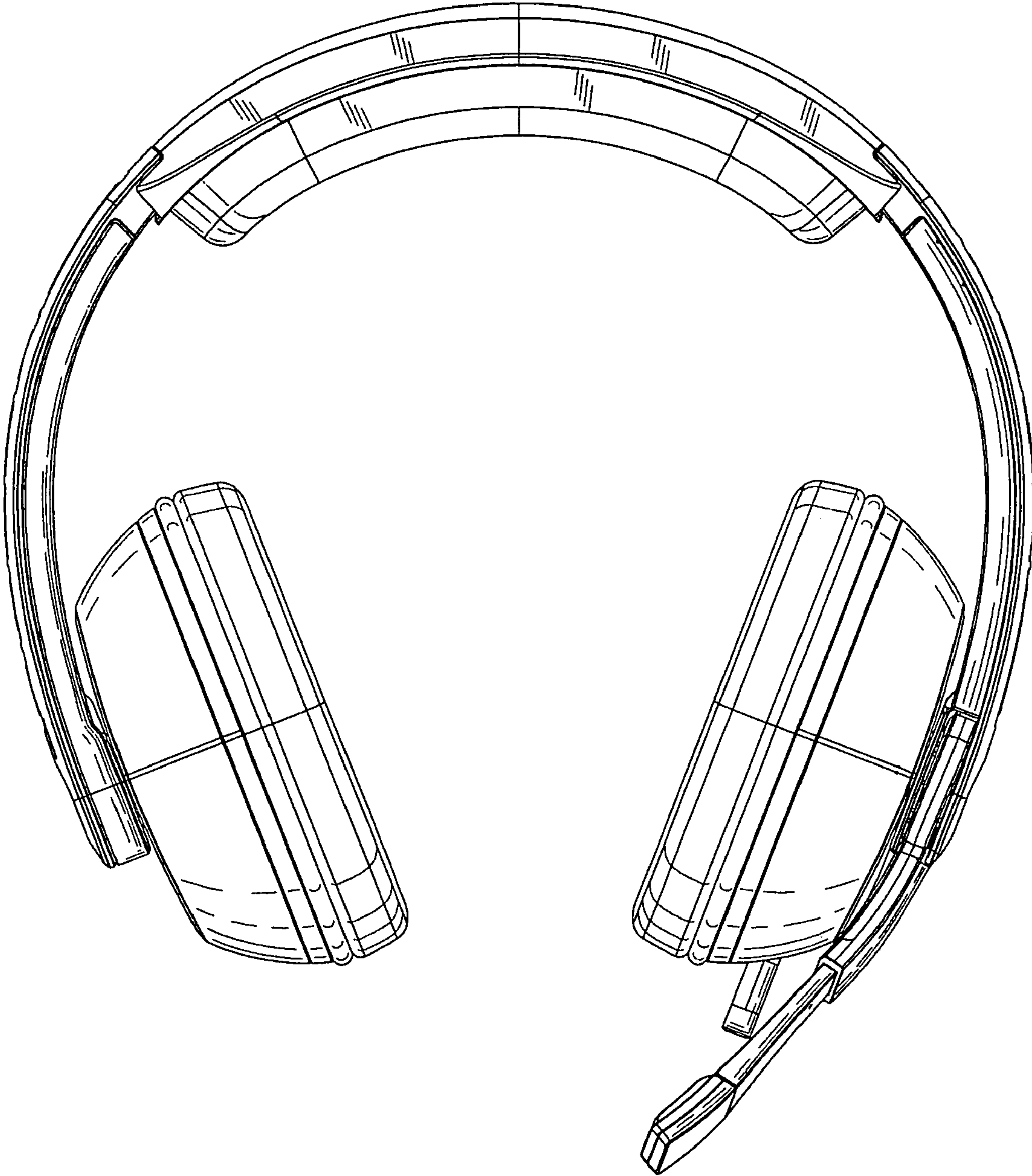


FIG. 2



FIG. 3

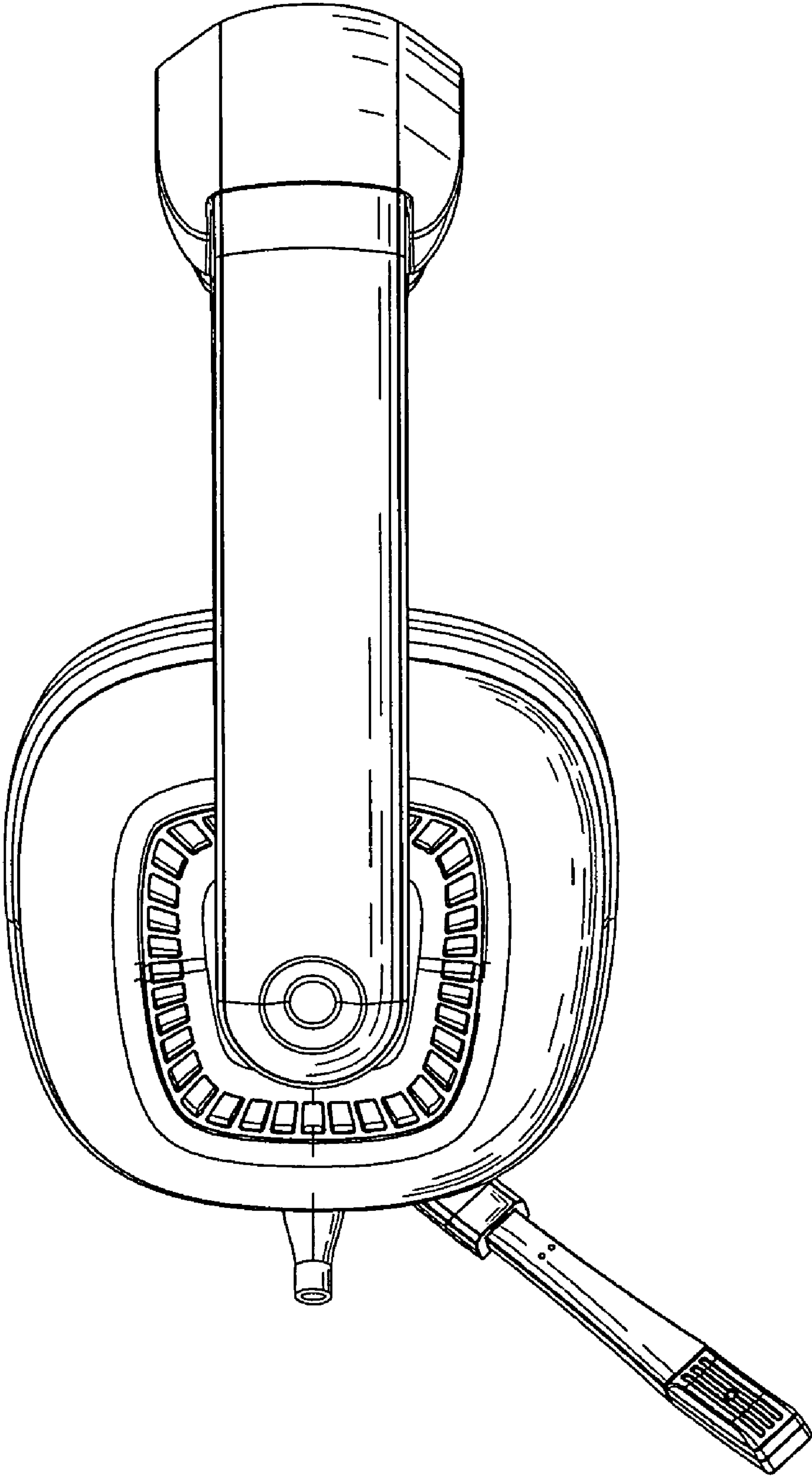


FIG. 4

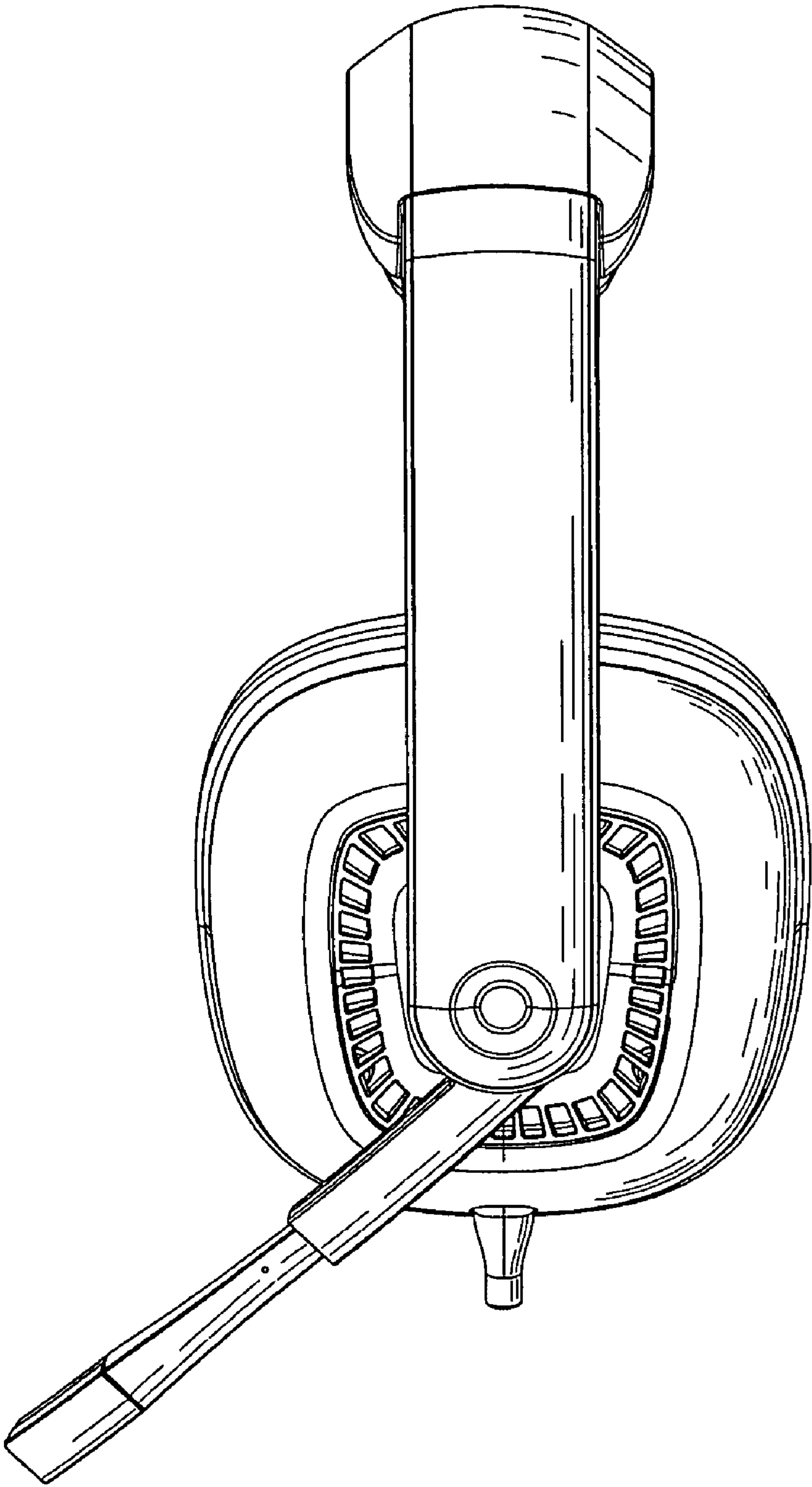


FIG. 5

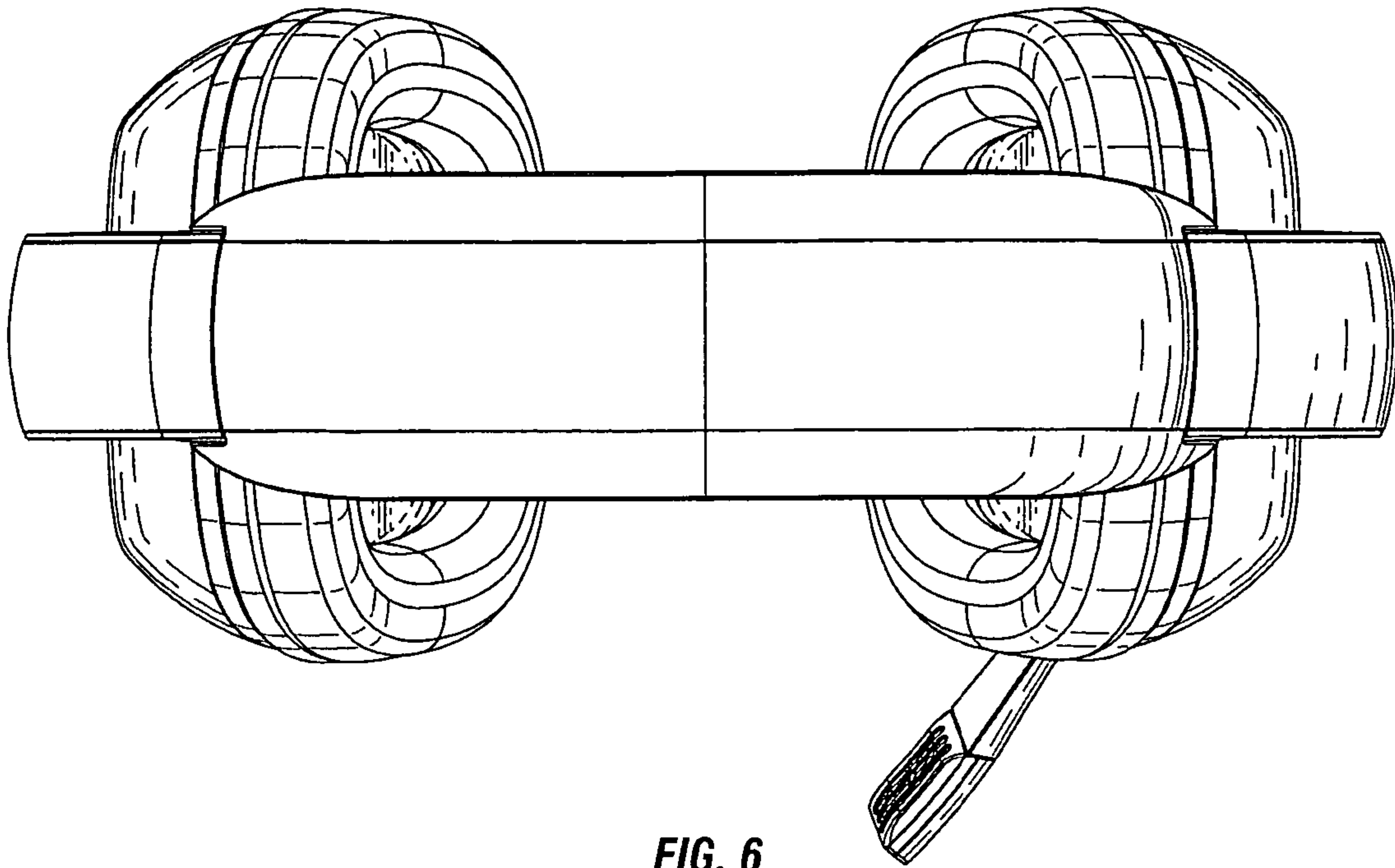


FIG. 6

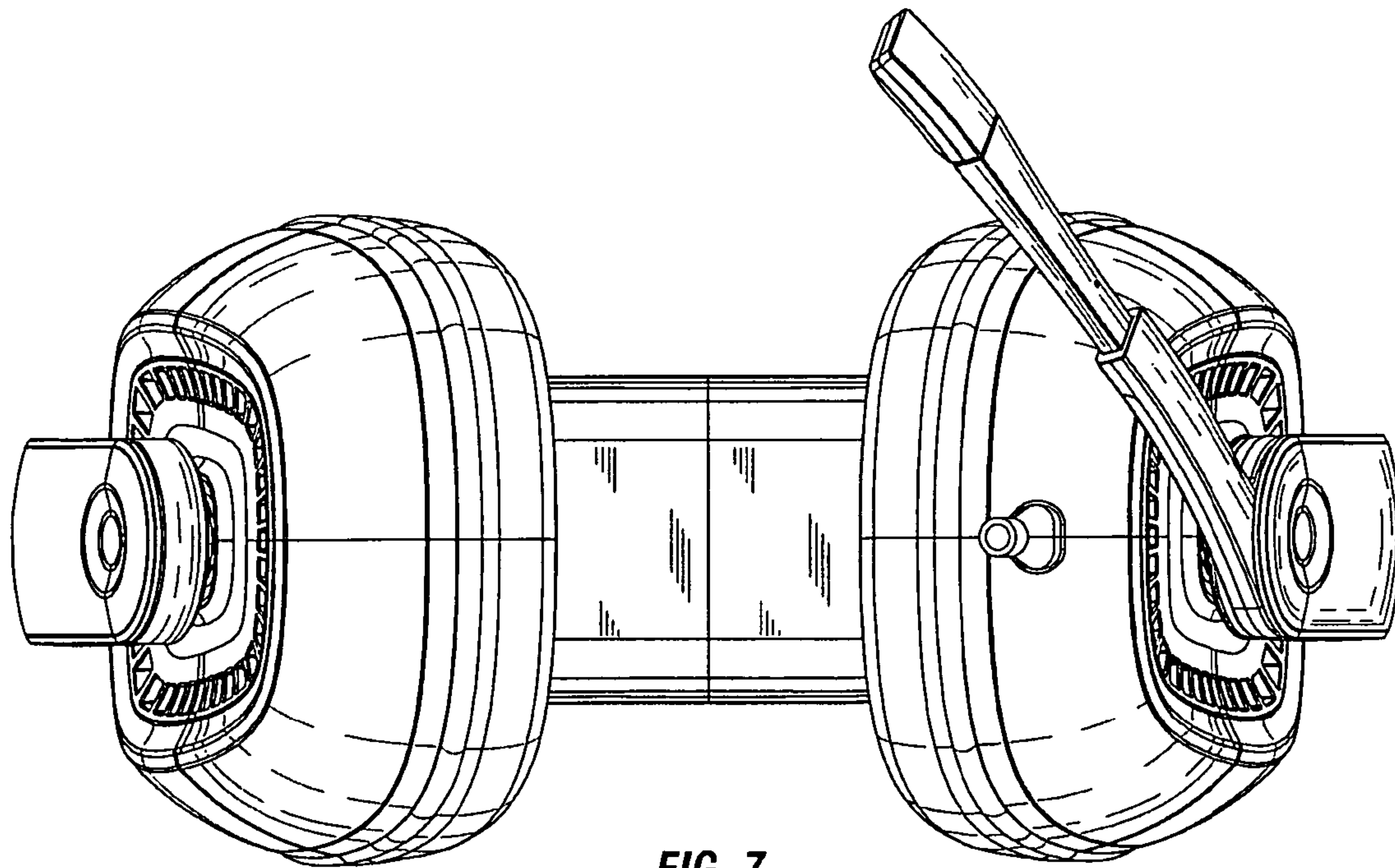


FIG. 7