



US00D589491S

(12) **United States Design Patent**
Andre et al.

(10) **Patent No.:** **US D589,491 S**
(45) **Date of Patent:** **** Mar. 31, 2009**

(54) **EAR PHONE**

(75) Inventors: **Bartley K. Andre**, Menlo Park, CA (US); **Daniel J. Coster**, San Francisco, CA (US); **Daniele De Iuliis**, San Francisco, CA (US); **Richard P. Howarth**, San Francisco, CA (US); **Jonathan P. Ive**, San Francisco, CA (US); **Duncan Robert Kerr**, San Francisco, CA (US); **Shin Nishibori**, San Francisco, CA (US); **Matthew Dean Rohrbach**, San Francisco, CA (US); **Douglas B. Satzger**, Menlo Park, CA (US); **Calvin Q. Seid**, Palo Alto, CA (US); **Christopher J. Stringer**, Portola Valley, CA (US); **Eugene Antony Whang**, San Francisco, CA (US); **Rico Zorkendorfer**, San Francisco, CA (US)

(73) Assignee: **Apple Inc.**, Cupertino, CA (US)

(**) Term: **14 Years**

(21) Appl. No.: **29/317,749**

(22) Filed: **May 6, 2008**

Related U.S. Application Data

(63) Continuation of application No. 29/266,004, filed on Sep. 11, 2006, now Pat. No. Des. 568,291.

(51) **LOC (9) Cl.** **14-01**

(52) **U.S. Cl.** **D14/205**

(58) **Field of Classification Search** D14/205, D14/206, 223, 240, 133, 142, 155, 242, 248, D14/226, 423, 218; 181/129, 130, 135; 379/419, 379/420.04, 430, 431; 381/380, 381, 367, 381/373, 375; D24/174; 455/550.1, 569.1, 455/575.1, 569.2

See application file for complete search history.

(56) **References Cited**

U.S. PATENT DOCUMENTS

1,650,039 A 11/1927 Price

(Continued)

OTHER PUBLICATIONS

JPO Design Division Document Card No. D 12014188.

Primary Examiner—Paula Greene

(74) *Attorney, Agent, or Firm*—Sterne, Kessler, Goldstein & Fox P.L.L.C.

(57) **CLAIM**

The ornamental design for an ear phone, as shown and described.

DESCRIPTION

FIG. 1 is a perspective view of an ear phone assembly showing our new design;

FIG. 2 is a perspective view of an ear phone showing our new design, the ear phone is shown without the cord for purposes of illustration;

FIG. 3 is a left view thereof;

FIG. 4 is a right view thereof;

FIG. 5 is a top view thereof;

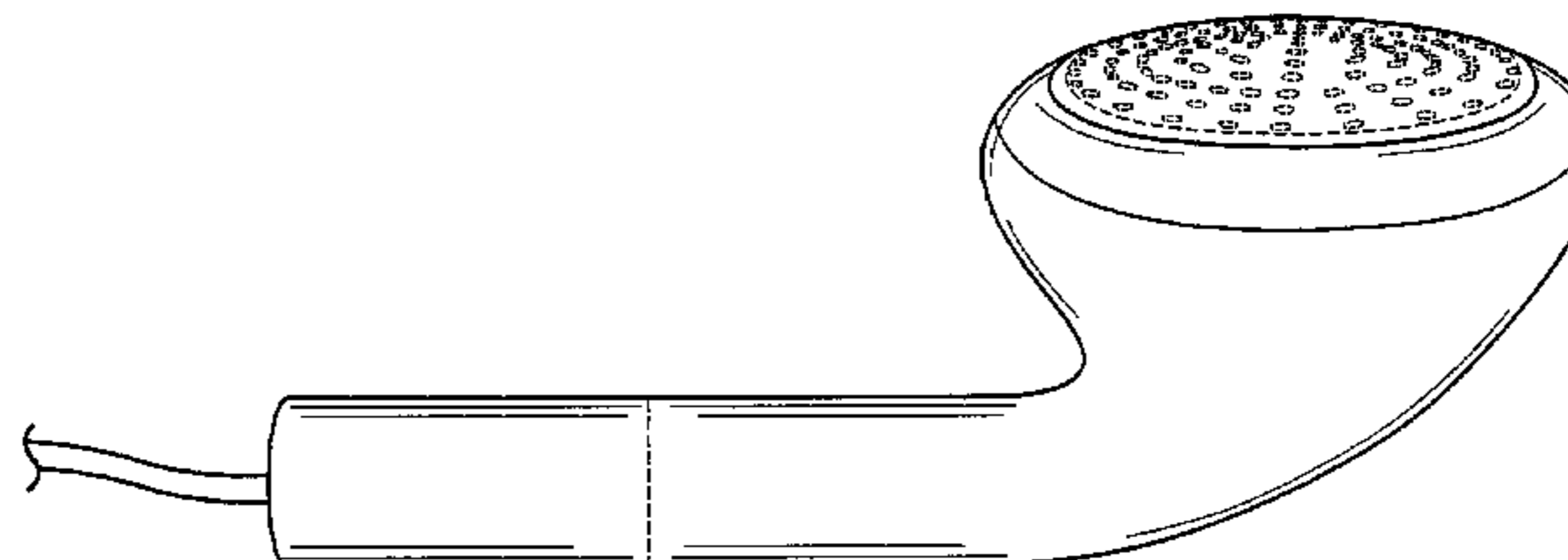
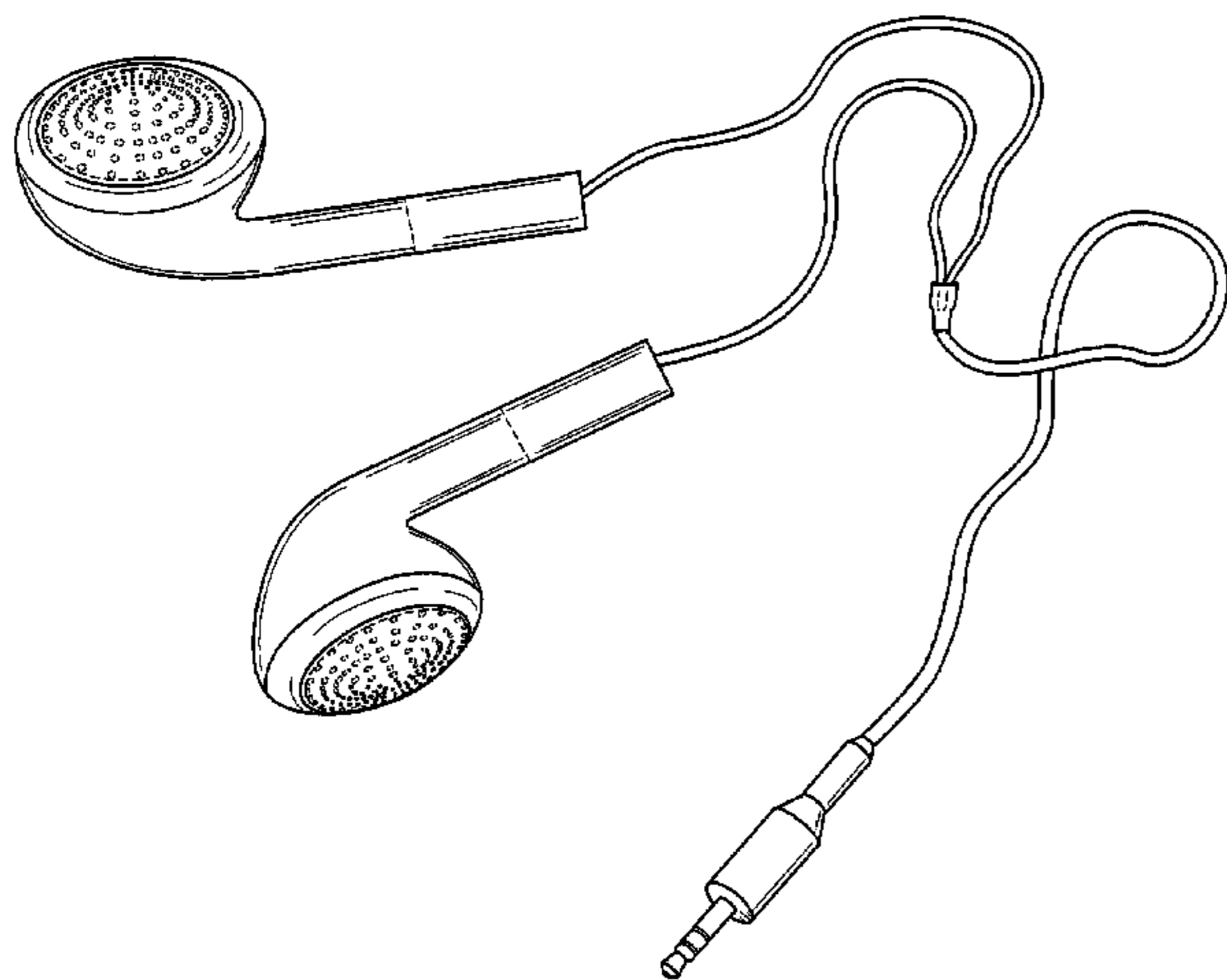
FIG. 6 is a bottom view thereof;

FIG. 7 is a front view thereof; and,

FIG. 8 is a rear view thereof.

The broken lines are unclaimed environment and form no part of the claimed design.

1 Claim, 7 Drawing Sheets



US D589,491 S

Page 2

U.S. PATENT DOCUMENTS

2,325,590	A	8/1943	Carlisle et al.	D337,589	S	7/1993	Wada	
D153,577	S	5/1949	Bland	5,363,444	A *	11/1994	Norris	379/430
D270,634	S	9/1983	Ungar	5,373,555	A *	12/1994	Norris et al.	379/430
D278,234	S	4/1985	Saito	D391,572	S	3/1998	Lee	
4,588,867	A	5/1986	Konomi	D410,079	S	5/1999	Falco et al.	
4,646,872	A	3/1987	Kamon et al.	D430,139	S	8/2000	Peters et al.	
4,677,675	A	6/1987	Killion et al.	6,122,369	A	9/2000	Hwang et al.	
D299,344	S	1/1989	Stevens	6,411,722	B1	6/2002	Wolf	
4,893,344	A	1/1990	Tragardh et al.	D469,753	S	2/2003	Andre et al.	
4,942,617	A	7/1990	Boylan	6,668,064	B1	12/2003	Lin	
D311,007	S	10/1990	Daido	6,731,772	B1	5/2004	Byum	
4,965,838	A	10/1990	Kamon et al.	6,810,987	B1	11/2004	DeKalb	
D316,550	S	4/1991	Sogabe	D506,744	S	6/2005	Andre et al.	
D318,670	S	7/1991	Taniguchi	D511,157	S	11/2005	Johnson	
D318,864	S	8/1991	Daido et al.	D514,552	S	2/2006	Lee et al.	
D318,865	S	8/1991	Ichikawa	D515,070	S	2/2006	Andre et al.	
D326,655	S	6/1992	Iribe	D523,846	S	6/2006	Lee	
D331,057	S	11/1992	Isonaga	D531,169	S *	10/2006	Tokioka et al.	D14/223
5,185,802	A	2/1993	Stanton	D554,109	S *	10/2007	Ledbetter et al.	D14/223
D334,043	S	3/1993	Taniguchi et al.	D555,152	S *	11/2007	Wang	D14/223
D337,118	S	7/1993	Seikita	D556,741	S *	12/2007	Yeo	D14/223
				D568,291	S	5/2008	Andre et al.	

* cited by examiner

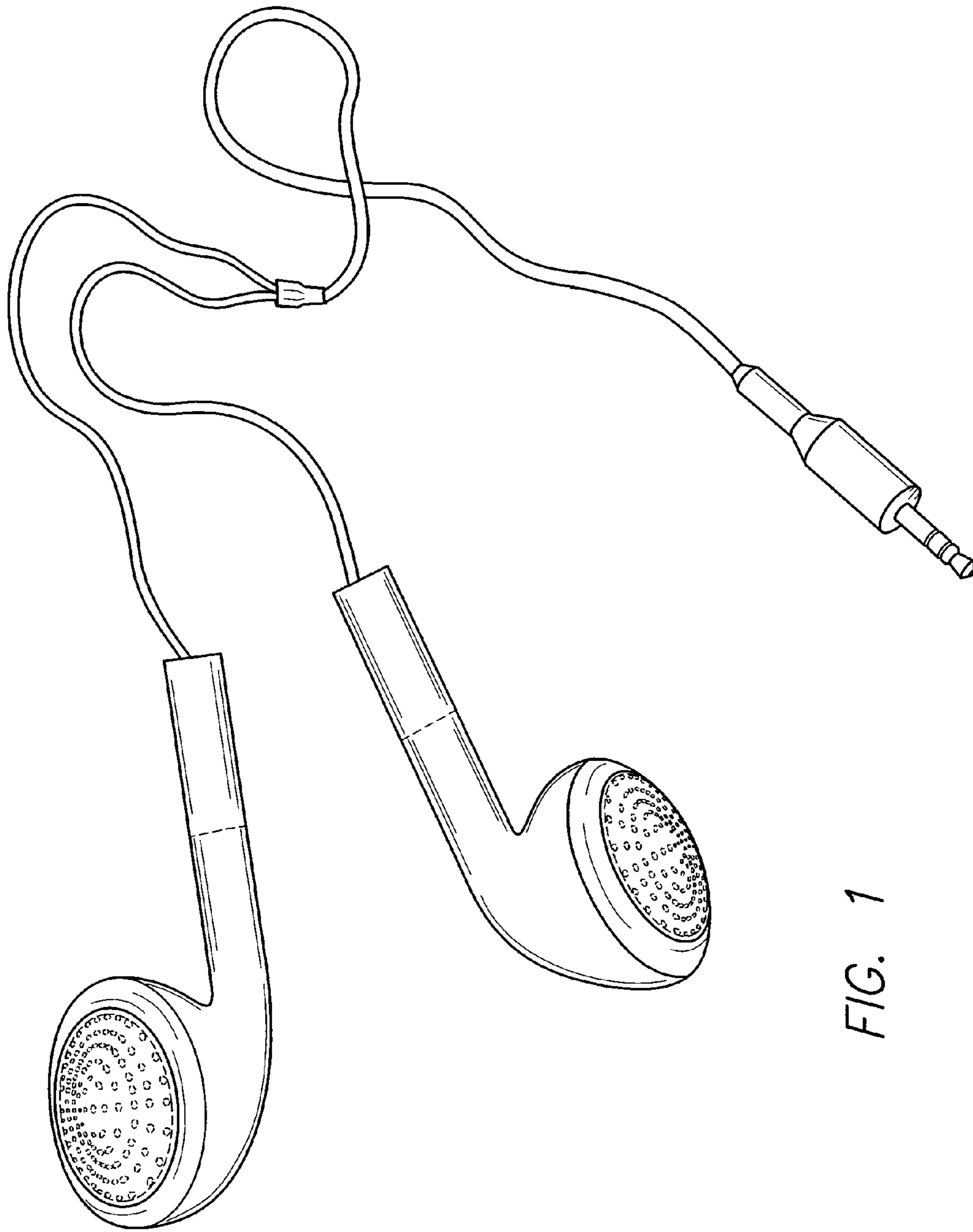


FIG. 1

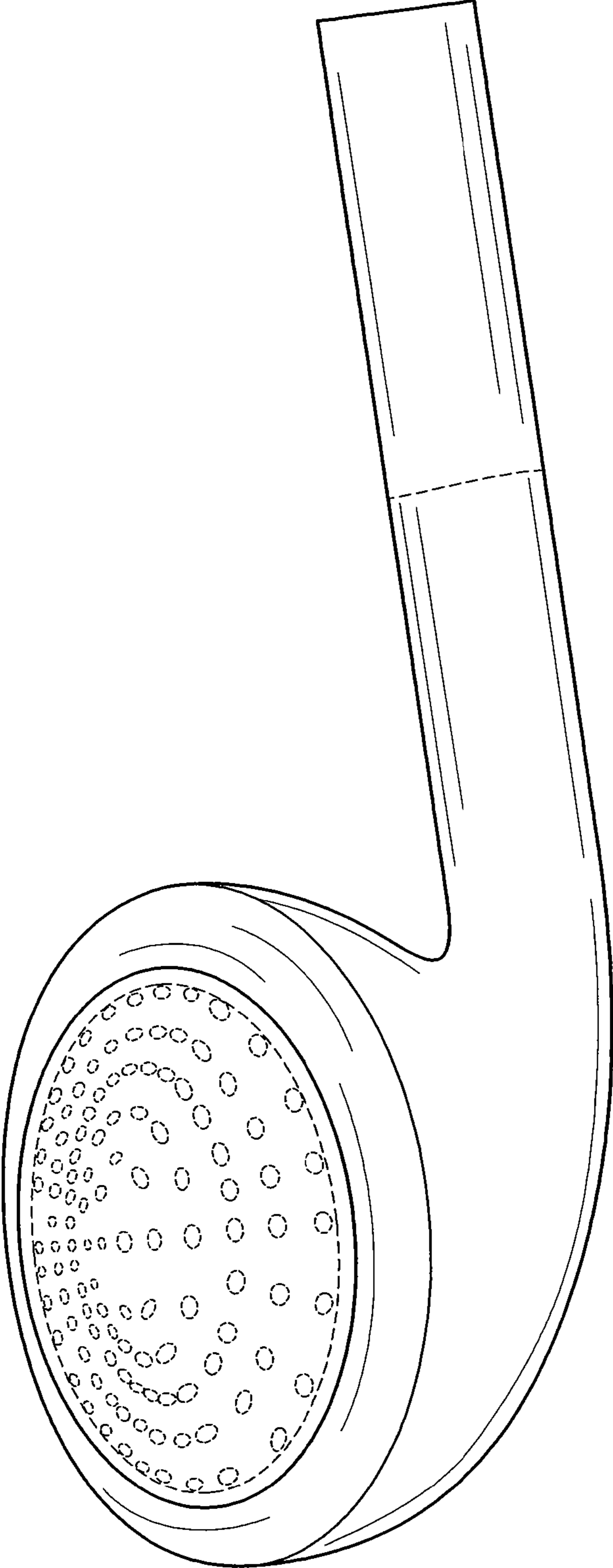


FIG. 2

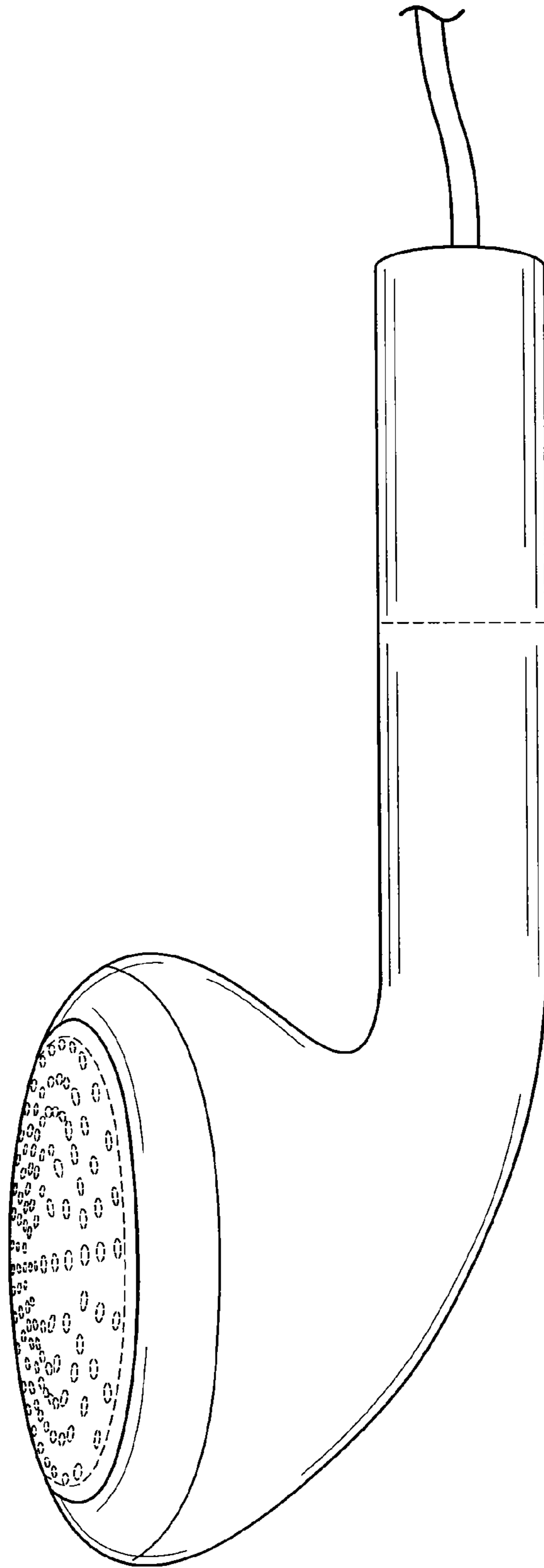


FIG. 3

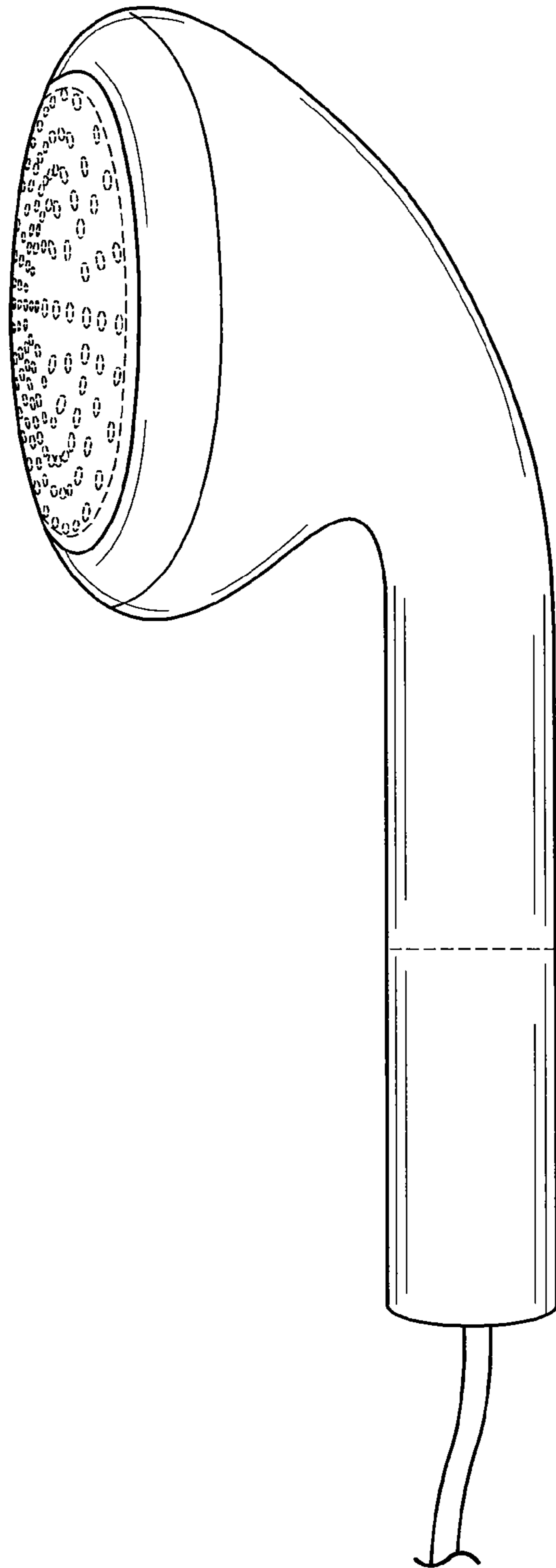


FIG. 4

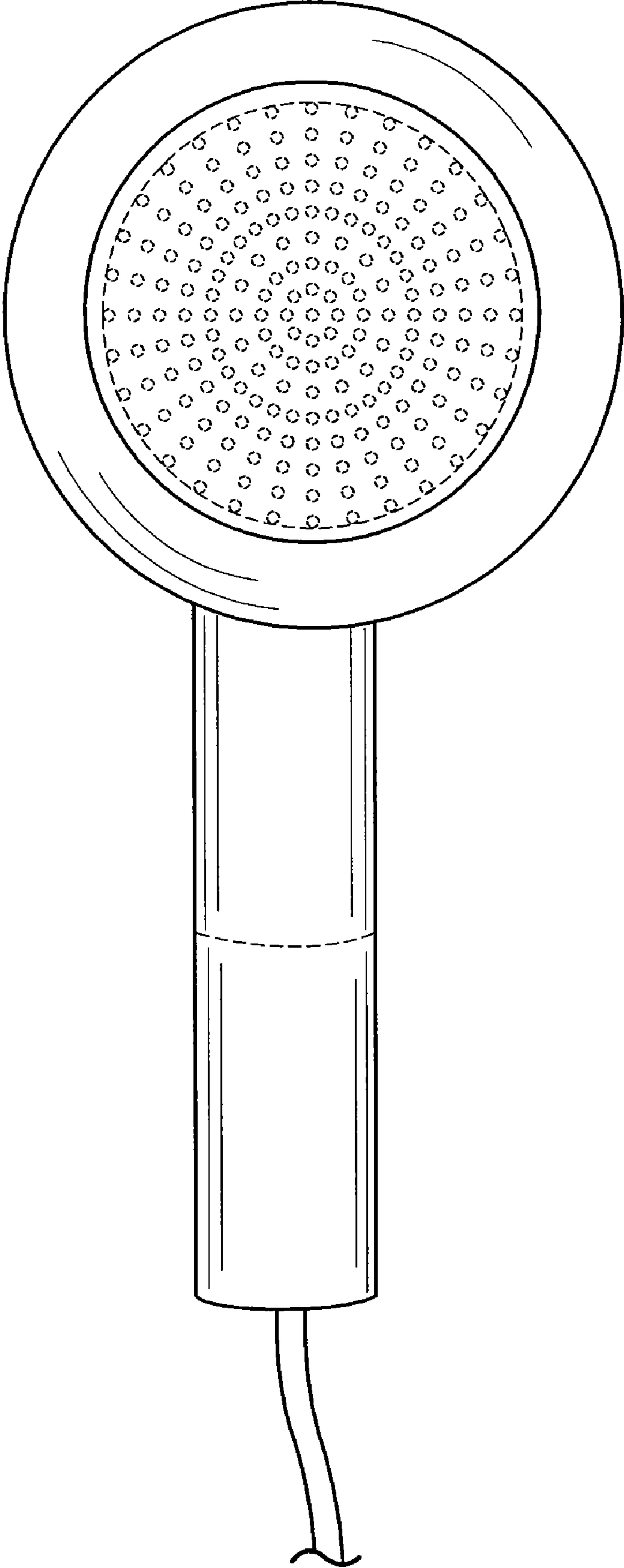


FIG. 5

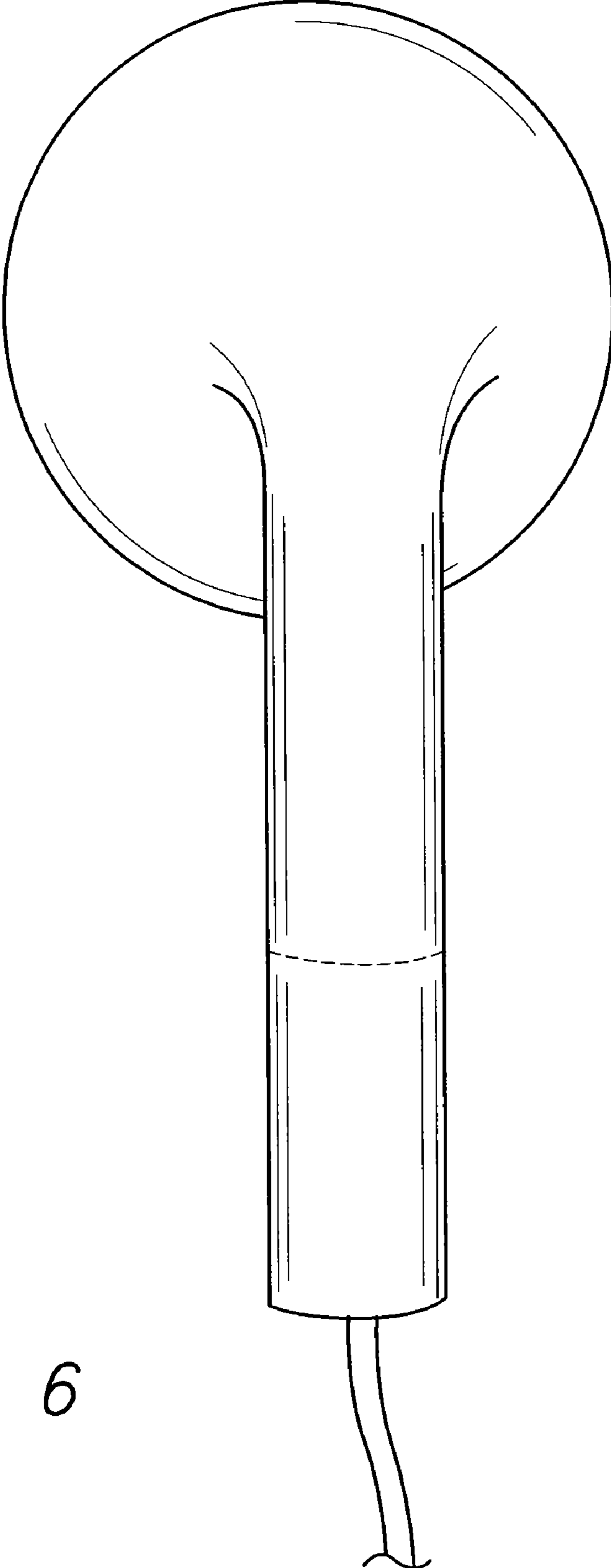


FIG. 6

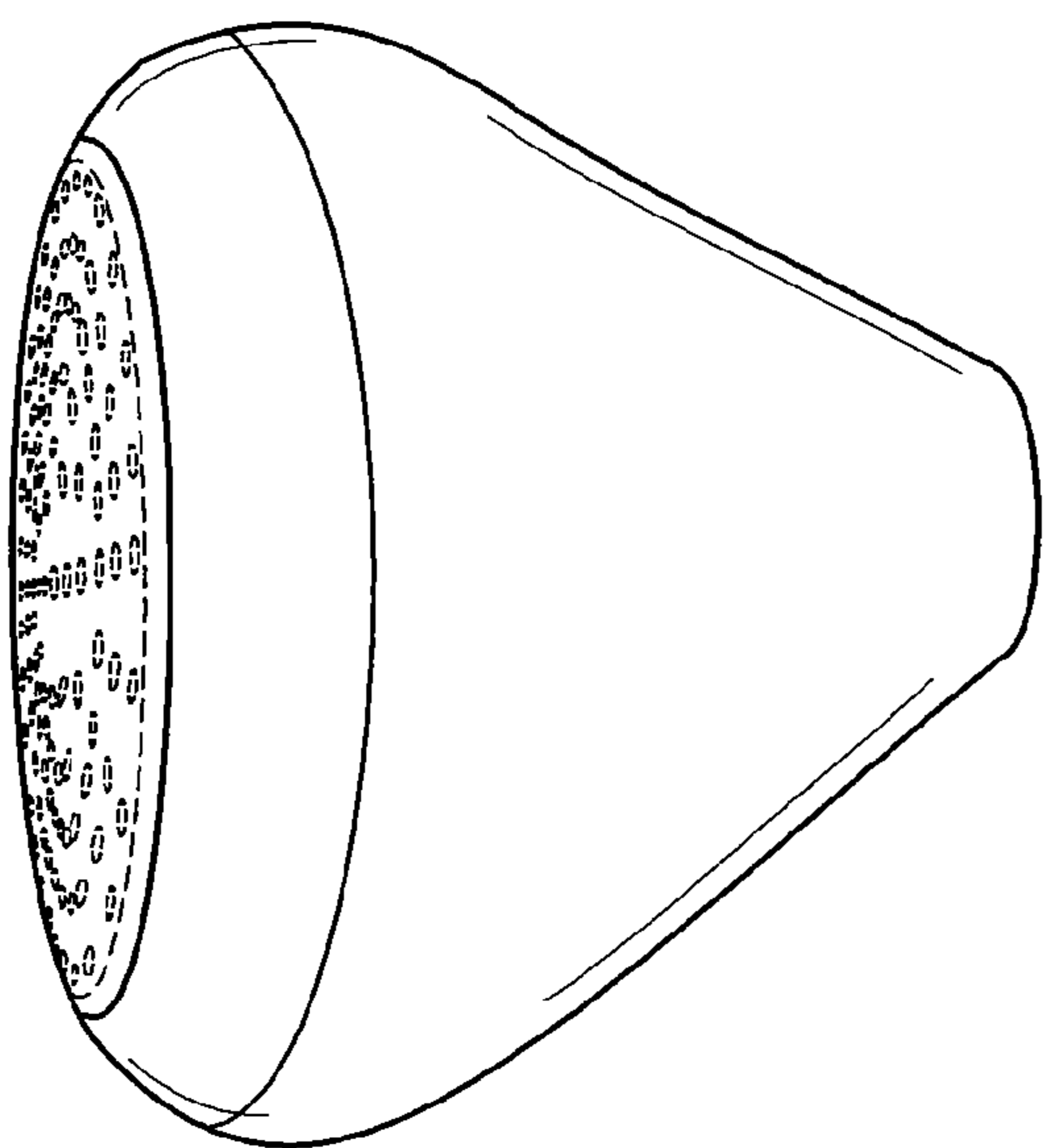


FIG. 7

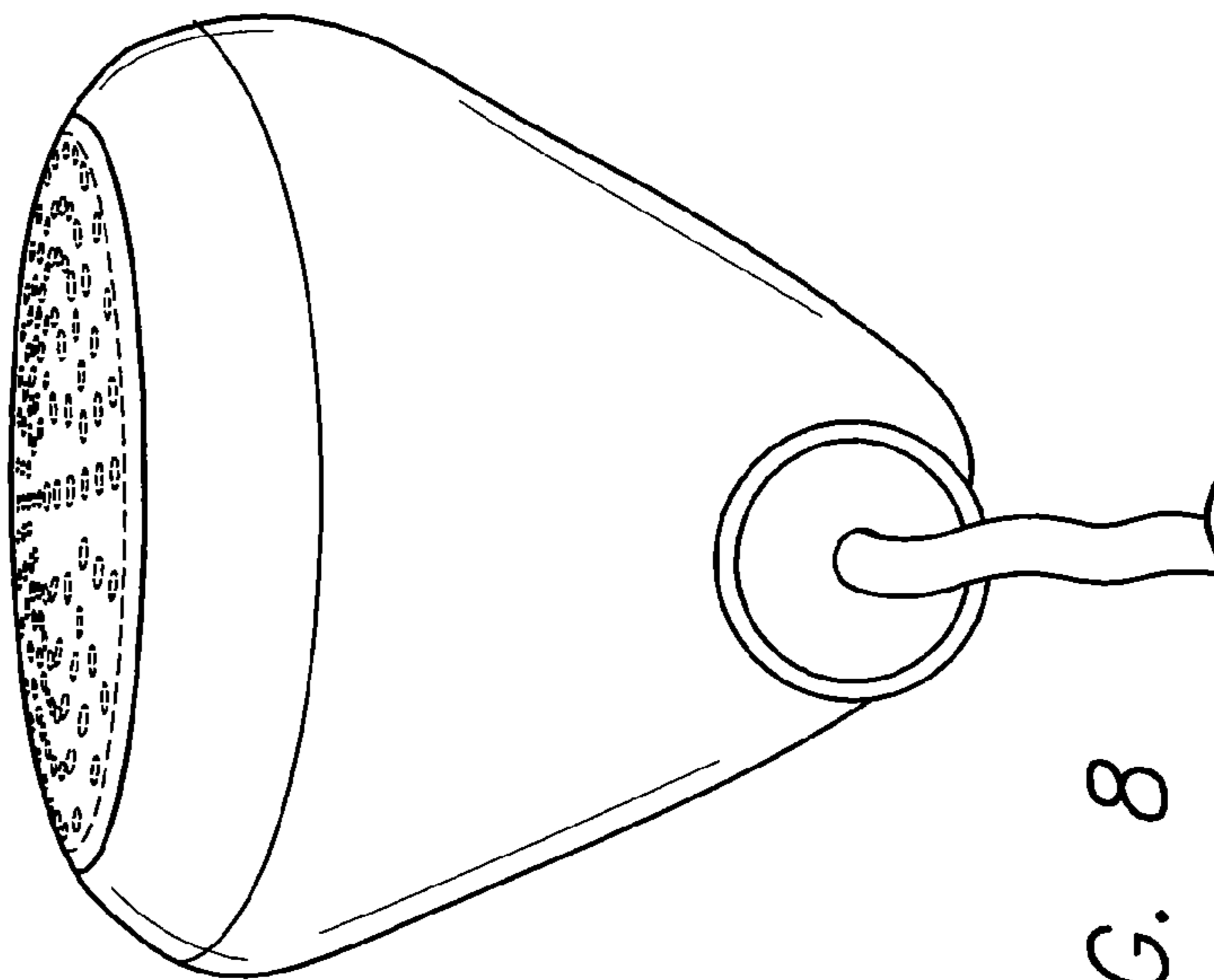


FIG. 8