



US00D589490S

(12) **United States Design Patent**
Thusbass

(10) **Patent No.:** **US D589,490 S**
(45) **Date of Patent:** **** Mar. 31, 2009**

(54) **TRANSMITTER**

(75) Inventor: **Alexander Thusbass, Salzburg (AT)**

(73) Assignee: **AKG Acoustics GmbH, Vienna (AT)**

(**) Term: **14 Years**

(21) Appl. No.: **29/320,280**

(22) Filed: **Jun. 24, 2008**

(30) **Foreign Application Priority Data**

Feb. 6, 2008 (EM) 000873716

(51) **LOC (9) Cl.** **14-03**

(52) **U.S. Cl.** **D14/155**

(58) **Field of Classification Search** D14/155,
D14/125, 136, 167, 188, 240, 301, 311, 349,
D14/351, 365, 368, 433, 496; D10/106;
386/91, 52, 68; 455/350, 347, 344
See application file for complete search history.

(56) **References Cited**

U.S. PATENT DOCUMENTS

- 4,899,135 A * 2/1990 Ghahariiran 340/573.4
- D345,314 S * 3/1994 Chandra D10/106
- D364,164 S * 11/1995 Hanig D14/192
- D386,703 S * 11/1997 Nowak D10/104
- D387,765 S * 12/1997 Brassard D14/217
- D390,233 S * 2/1998 Zeitman D14/194
- D395,433 S * 6/1998 Kee D14/192
- D404,034 S * 1/1999 Bhavnani D14/194
- D430,052 S * 8/2000 Nowak D10/104
- D436,350 S * 1/2001 Cowan et al. D14/188
- D451,896 S * 12/2001 Kim D14/137

- D483,024 S * 12/2003 Sanchez et al. D14/155
- D496,346 S * 9/2004 Fuss et al. D14/188
- D496,347 S * 9/2004 Choi et al. D14/191
- D508,215 S * 8/2005 Grygo D10/78
- D519,101 S * 4/2006 Alwicker et al. D14/188
- D540,774 S * 4/2007 Alwicker et al. D14/155
- D577,708 S * 9/2008 von Meiss et al. D14/158
- D579,912 S * 11/2008 Lamason D14/159
- D579,913 S * 11/2008 Lamason D14/159

* cited by examiner

Primary Examiner—Cathron C Brooks

Assistant Examiner—Austin Murphy

(74) *Attorney, Agent, or Firm*—Plumsea Law Group, LLC

(57) **CLAIM**

The ornamental design for a transmitter, as shown and described.

DESCRIPTION

FIG. 1 is a perspective view of a transmitter showing my new design;

FIG. 2 is a front elevational view thereof;

FIG. 3 is a rear elevational view thereof;

FIG. 4 is a side elevational view of one side thereof;

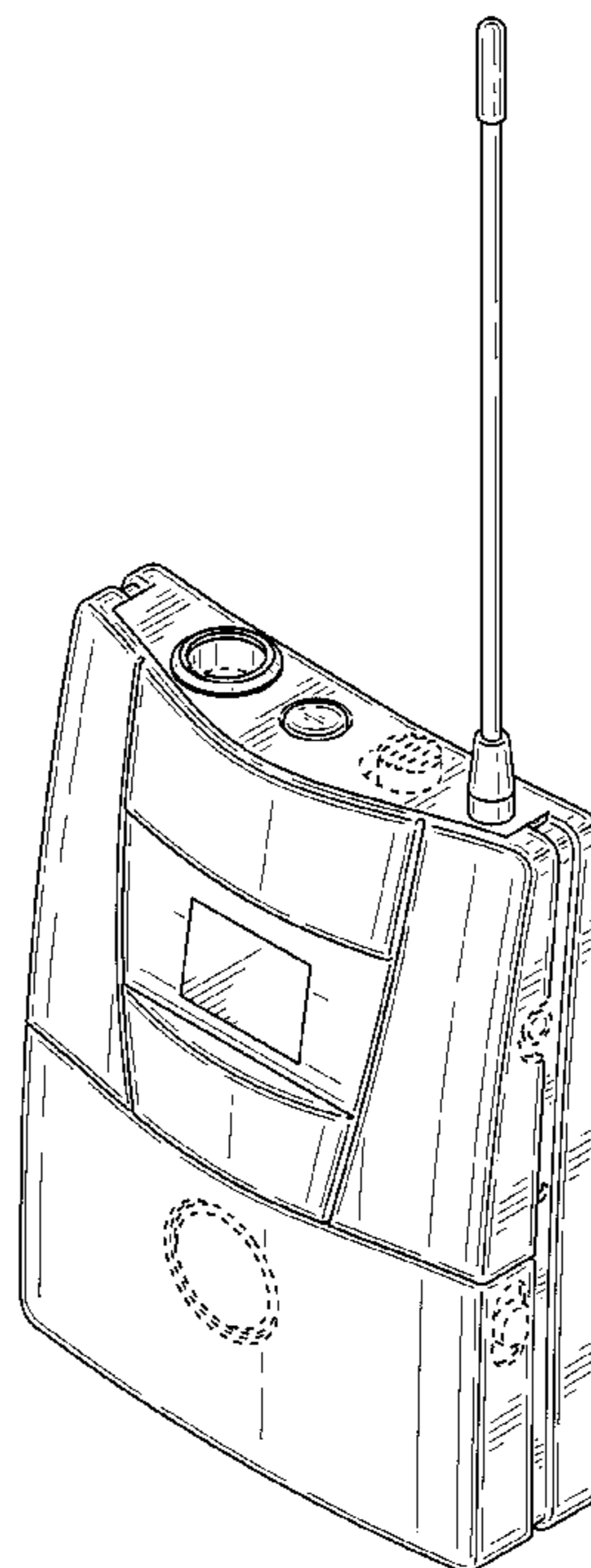
FIG. 5 is a side elevational view of the opposite side thereof;

FIG. 6 is a top plan view thereof; and,

FIG. 7 is a bottom plan view thereof.

The broken line showings of the circles, lozenge shapes, arcs and rectangles and portions thereof depict environmental subject matter and form no part of the claimed design.

1 Claim, 5 Drawing Sheets



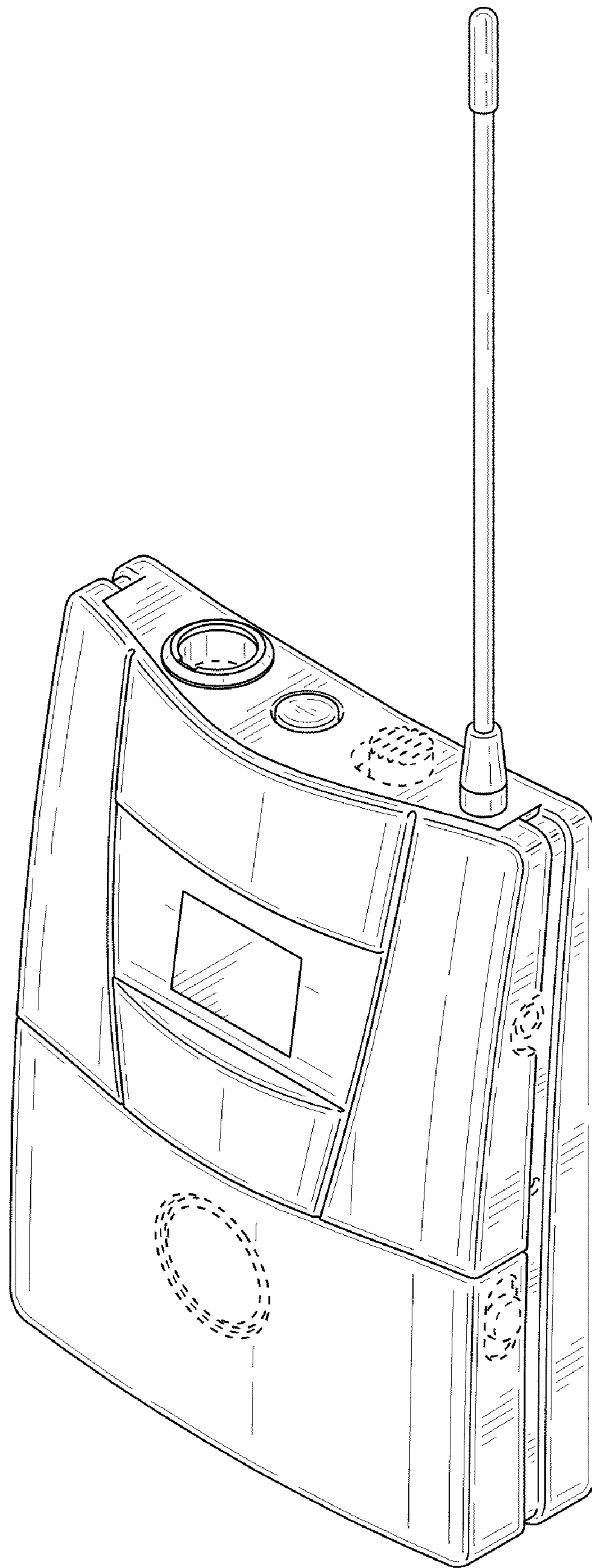


FIG. 1

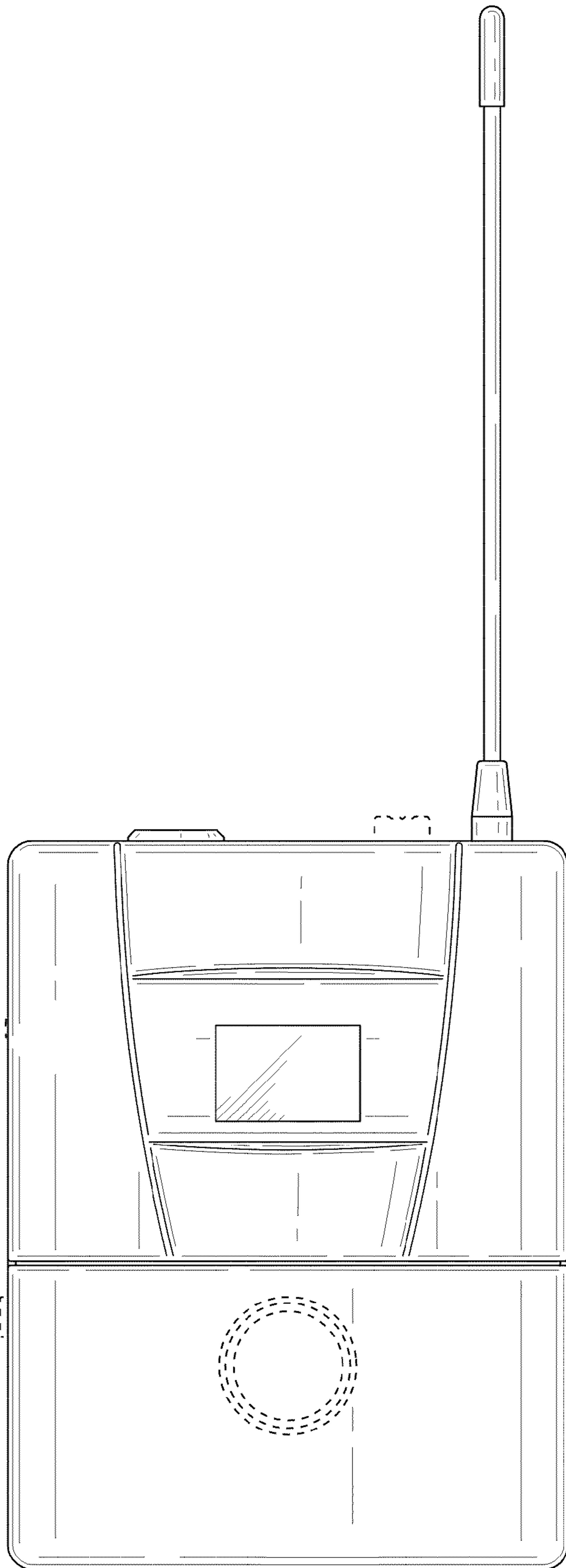


FIG. 2

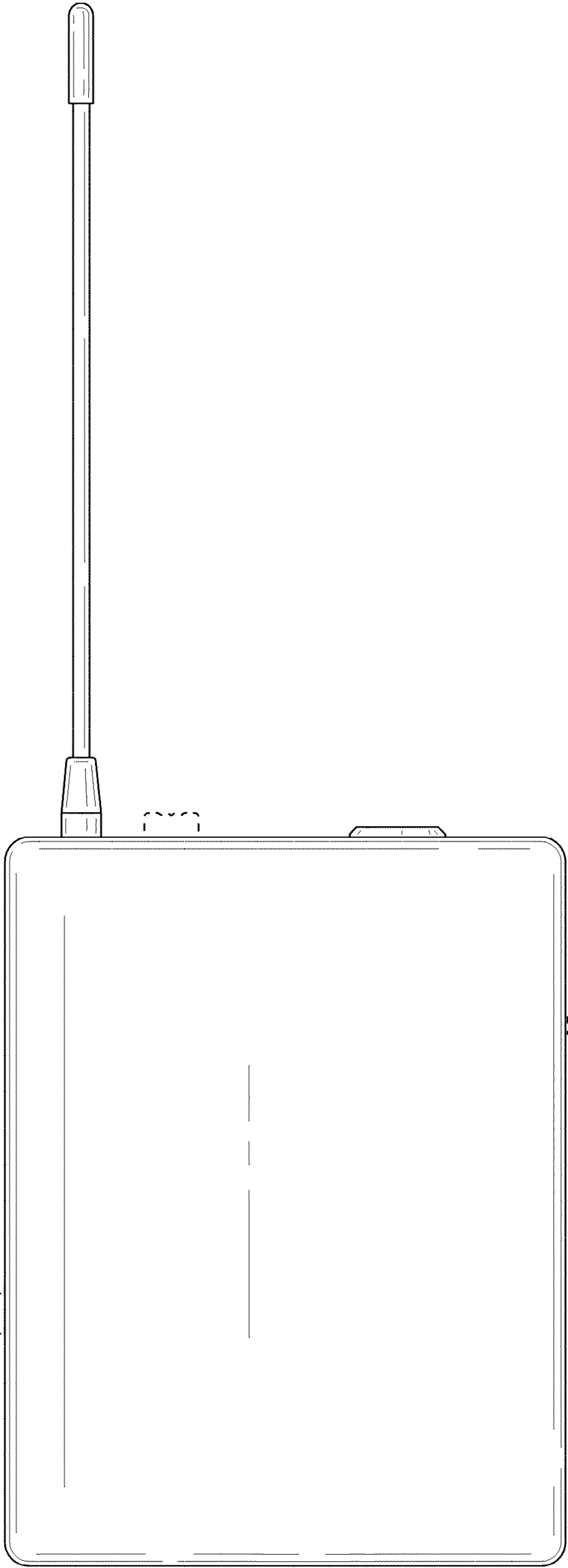


FIG. 3

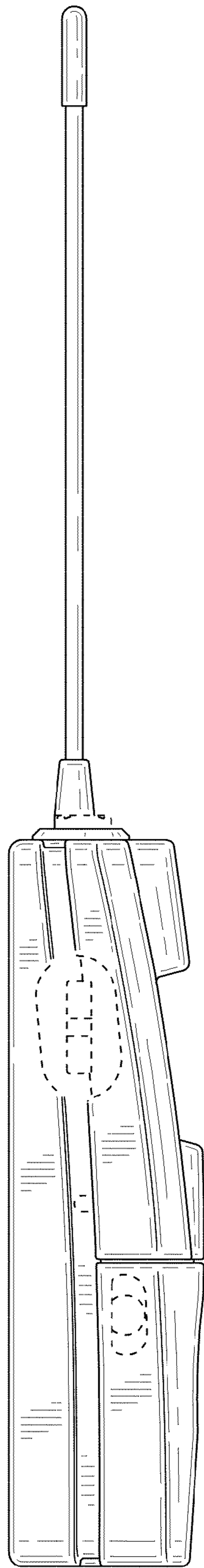


FIG. 4

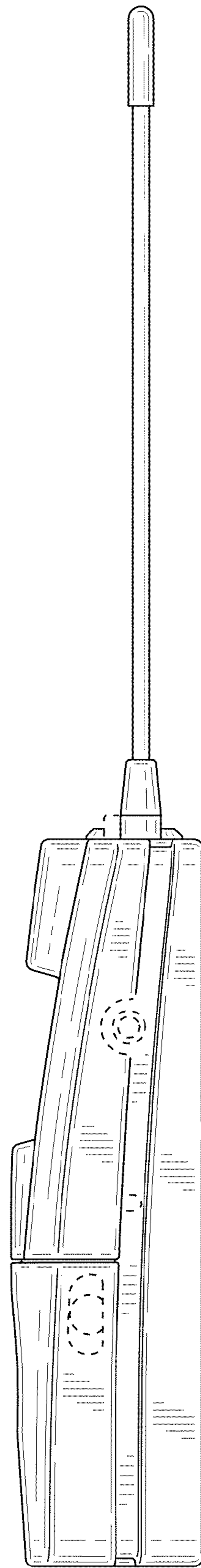


FIG. 5

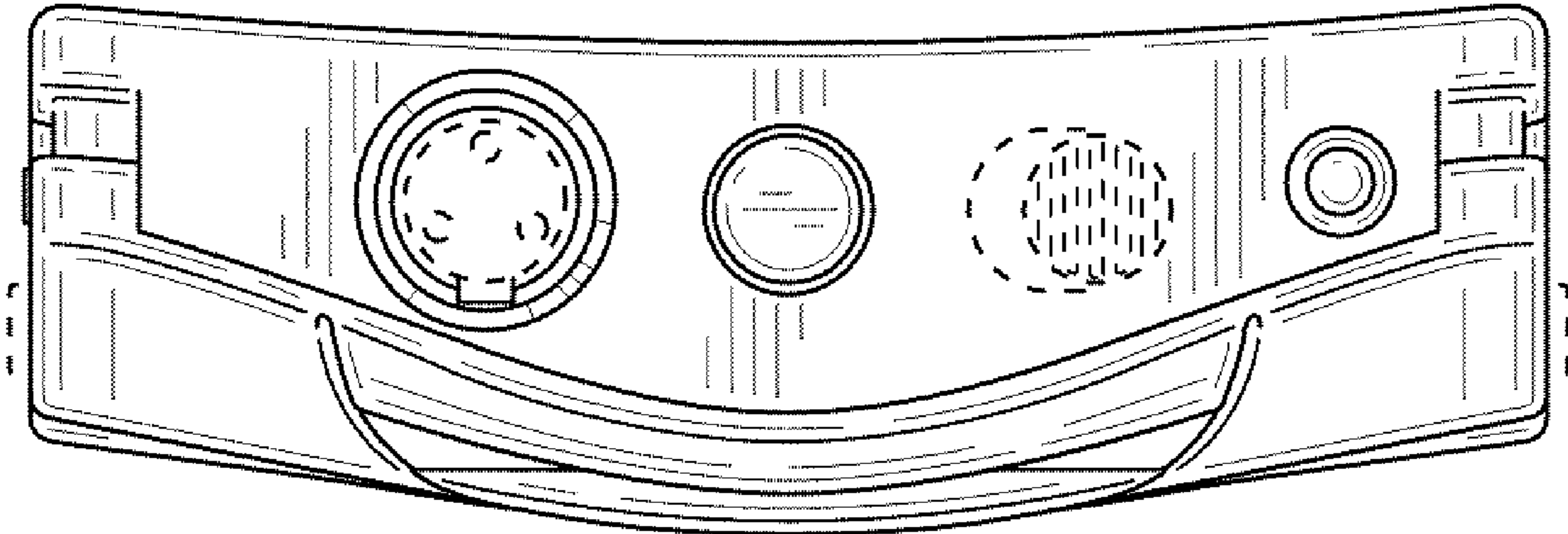


FIG. 6

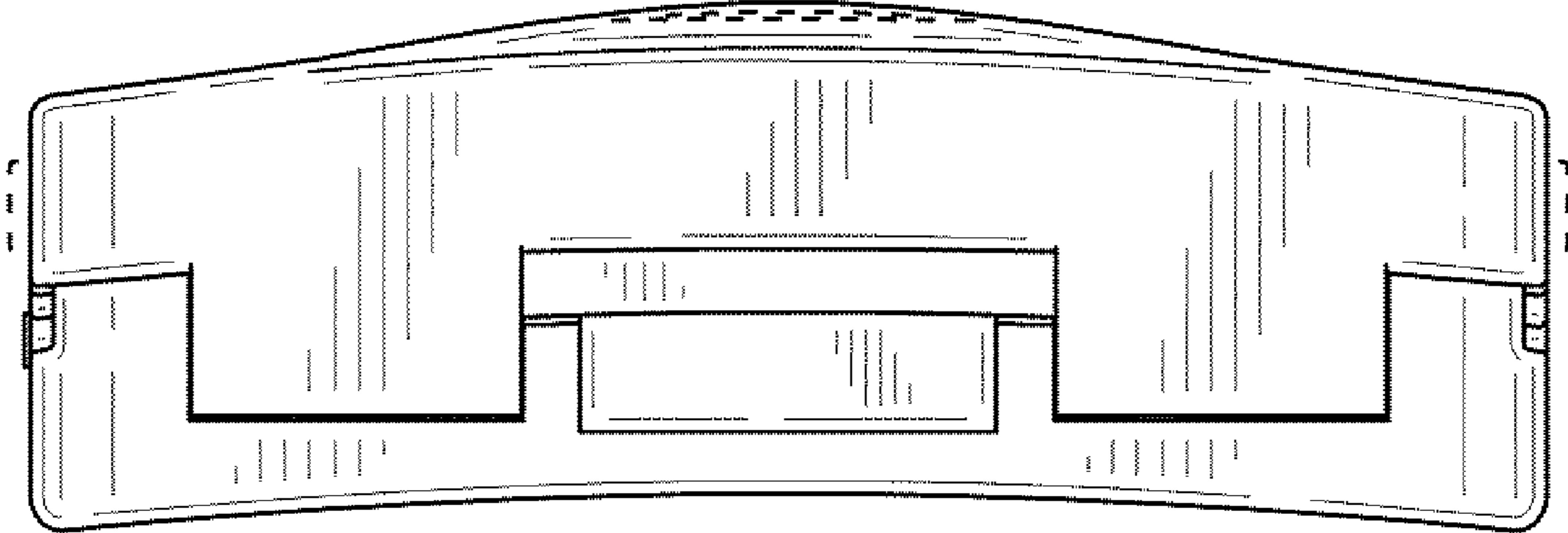


FIG. 7