



US00D589485S

(12) **United States Design Patent**  
**He**

(10) **Patent No.:** **US D589,485 S**

(45) **Date of Patent:** **\*\* Mar. 31, 2009**

(54) **HANDSET**

(75) Inventor: **Wei-Jones He**, Beijing (CN)

(73) Assignee: **Nokia Corporation**, Espoo (FI)

(\*\*) Term: **14 Years**

(21) Appl. No.: **29/305,994**

(22) Filed: **Mar. 31, 2008**

(51) **LOC (9) Cl.** ..... **14-03**

(52) **U.S. Cl.** ..... **D14/138 AB**

(58) **Field of Classification Search** ..... D14/137 AB,  
D14/138 AA, 496, 341-347, 247, 455-456,  
D14/218; 455/575.3, 575.1

See application file for complete search history.

(56) **References Cited**

U.S. PATENT DOCUMENTS

- D168,240 S \* 11/1952 Rodriguez ..... D11/24
- D217,280 S \* 4/1970 Poon ..... D11/21
- 3,657,059 A \* 4/1972 Figge ..... 428/110
- D358,149 S \* 5/1995 Fellingner ..... D14/138 AB
- D441,745 S \* 5/2001 Yabusaki ..... D14/247
- D468,284 S \* 1/2003 Hung ..... D14/138 AA
- D488,452 S \* 4/2004 Chung ..... D14/138 AB
- D491,160 S \* 6/2004 Lin ..... D14/167
- D494,950 S \* 8/2004 Keunecke ..... D14/138 AA
- D499,709 S \* 12/2004 Nuovo et al. .... D14/138 AA
- D506,736 S \* 6/2005 Lodato et al. .... D14/138 AB
- 6,904,148 B1 \* 6/2005 Yabusaki ..... 379/433.07
- D518,013 S \* 3/2006 Fuxen ..... D14/138 AB
- D538,276 S \* 3/2007 Wang ..... D14/247
- D539,259 S \* 3/2007 Wang et al. .... D14/138 AA
- 7,206,618 B2 \* 4/2007 Latto et al. .... 455/575.8
- D542,254 S \* 5/2007 Ahn et al. .... D14/138 AB
- D543,173 S \* 5/2007 Park et al. .... D14/138 AB
- D546,309 S \* 7/2007 Lee ..... D14/138 AB
- D560,189 S \* 1/2008 Kim et al. .... D14/138 AB
- D562,295 S \* 2/2008 Lindner et al. .... D14/138 AB
- D563,924 S \* 3/2008 Arnold et al. .... D14/138 AB
- 7,337,565 B2 \* 3/2008 Tsutsumi et al. .... 40/451
- D567,783 S \* 4/2008 Lee et al. .... D14/138 AB

- D573,123 S \* 7/2008 Kim et al. .... D14/138
- D576,597 S \* 9/2008 Lim et al. .... D14/138 AB
- D578,504 S \* 10/2008 Stillerman ..... D14/138 AB
- D578,979 S \* 10/2008 Choi et al. .... D14/138 R
- D578,990 S \* 10/2008 Youn et al. .... D14/138 R
- D579,153 S \* 10/2008 Lee ..... D28/83
- D580,900 S \* 11/2008 Wong et al. .... D14/138 R
- 2005/0054397 A1 \* 3/2005 Kim et al. .... 455/575.4
- 2008/0125197 A1 \* 5/2008 Hongo et al. .... 455/575.3
- 2008/0218484 A1 \* 9/2008 Nishiwaki ..... 345/169

FOREIGN PATENT DOCUMENTS

- WO DM/069203 \* 5/2007
- WO DM/069204 \* 5/2007
- WO DM/069913 \* 3/2008

OTHER PUBLICATIONS

Nokia 7070 Prism telephone, announced Apr. 2008, [online], [site visited Nov. 4, 2008]. Available from Internet ,<URL: <http://www.gsmarena.com>>.\*

(Continued)

*Primary Examiner*—Jeffrey D Asch  
(74) *Attorney, Agent, or Firm*—Banner & Witcoff, Ltd

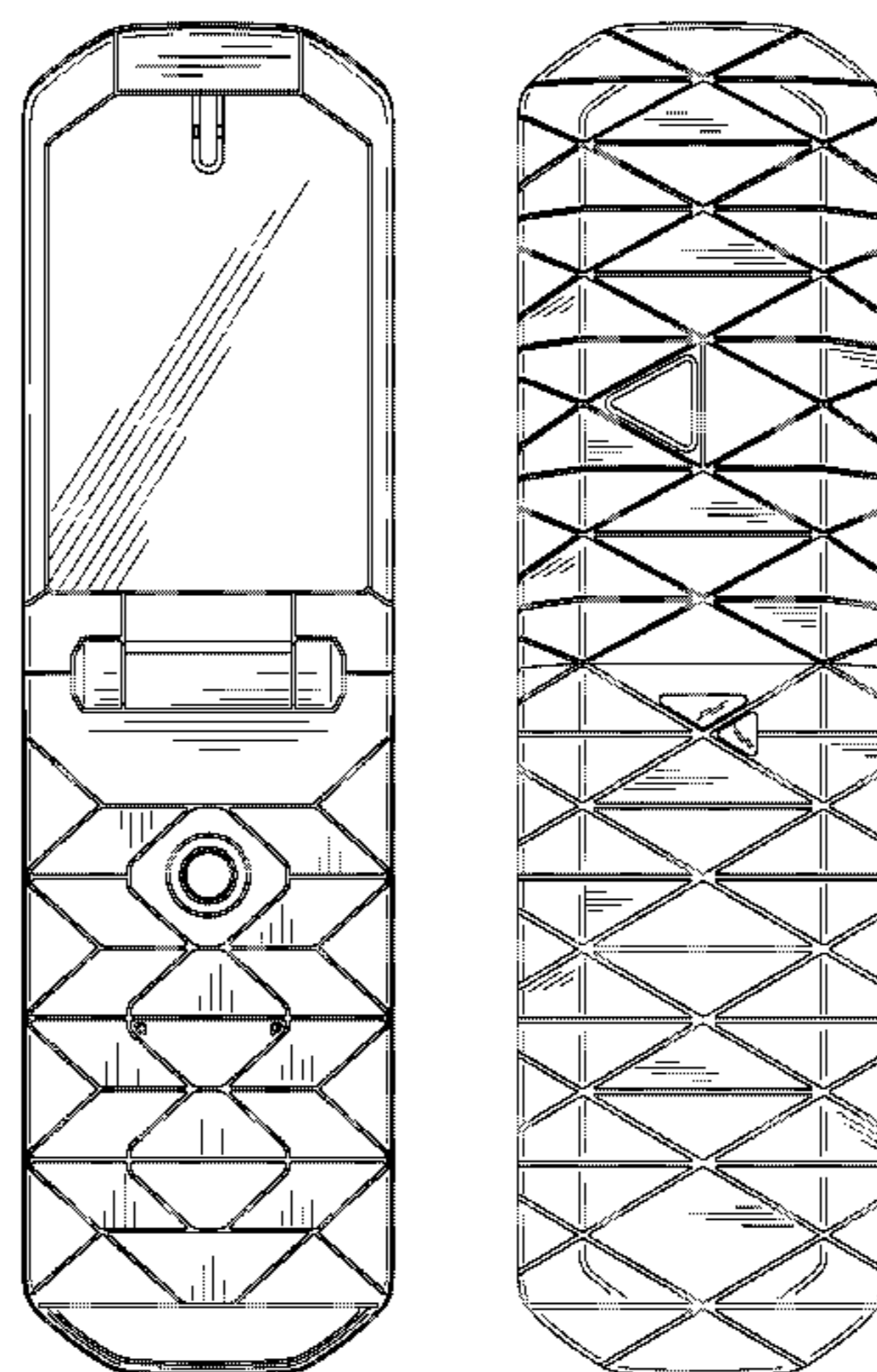
(57) **CLAIM**

The ornamental design for a handset, as shown and described.

**DESCRIPTION**

- FIG. 1 is a front perspective view of a handset showing my new design;
- FIG. 2 is a front view thereof;
- FIG. 3 is a rear view thereof;
- FIG. 4 is a right side view thereof;
- FIG. 5 is a left side view thereof;
- FIG. 6 is a top view thereof;
- FIG. 7 is a bottom view thereof; and,
- FIG. 8 is a rear perspective view thereof.

**1 Claim, 5 Drawing Sheets**



OTHER PUBLICATIONS

Nokia 7900 Crystal Prism telephone, announced Jan. 2008, [online], [site visited Nov. 4, 2008]. Available from Internet ,<URL: <http://www.gsmarena.com>>.\*

Nokia 7900 Prism telephone, announced Aug. 2007, [online], [site visited Nov. 4, 2008]. Available from Internet ,<URL: <http://www.gsmarena.com>>.\*

Nokia 7500 Prism telephone, announced Jul. 2007, [online], [site visited Nov. 4, 2008]. Available from Internet ,<URL: <http://www.gsmarena.com>>.\*

Alcatel OT-V670 telephone, announced Feb. 2008, [online], [site visited Nov. 4, 2008]. Available from Internet ,<URL: <http://www.gsmarena.com>>.\*

BenQ A520 telephone, announced 1st quarter 2005, [online], [site visited Nov. 4, 2008]. Available from Internet ,<URL: <http://www.gsmarena.com>>.\*

Nokia Model # 7900, Nokia Corporation, 1 color sheet of photographs, disclosed on or about Aug. 2007.

\* cited by examiner

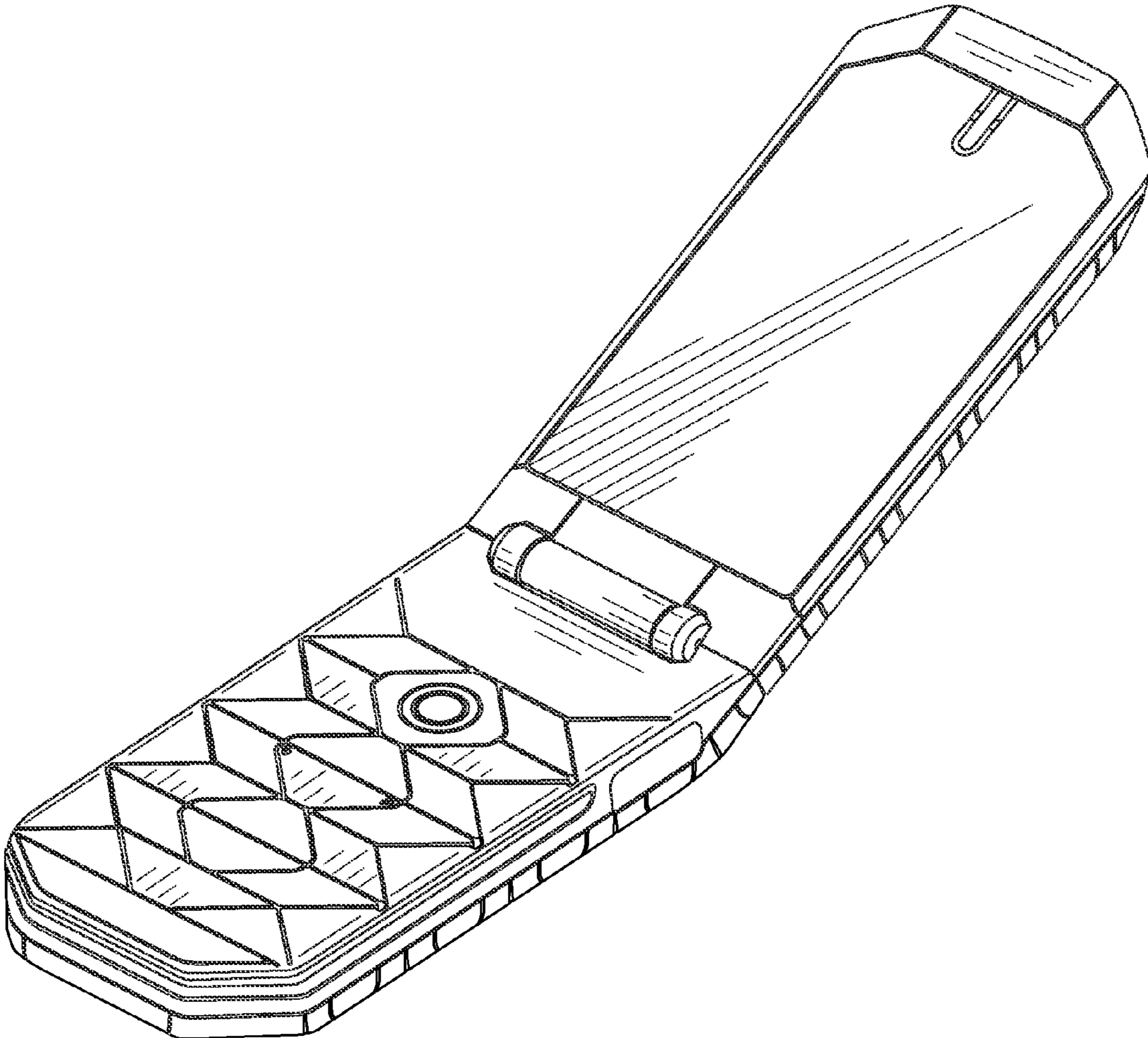


FIG. 1

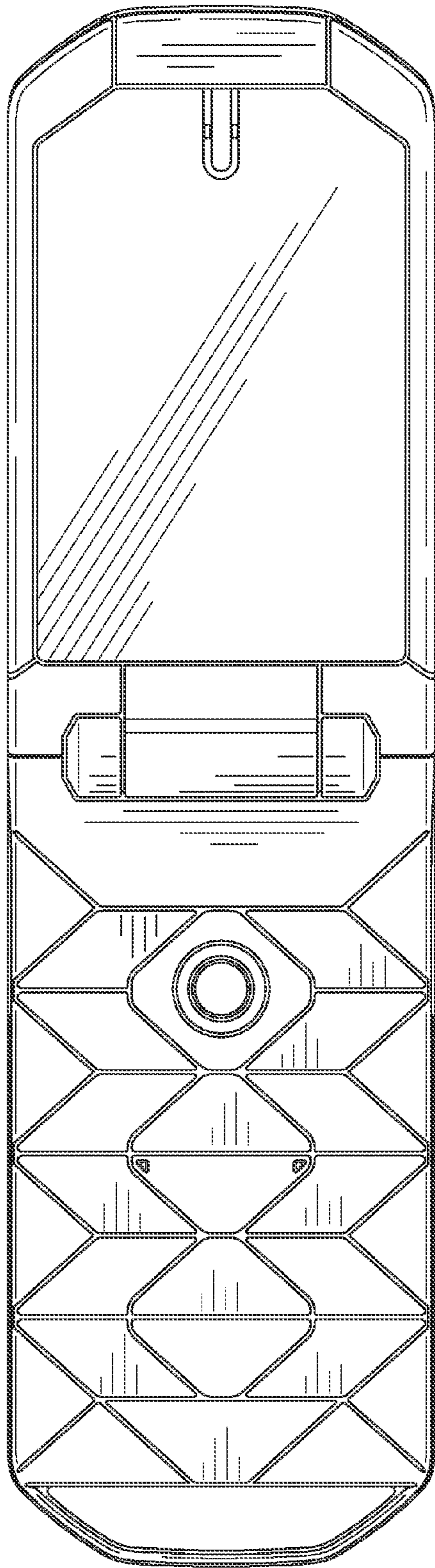


FIG. 2

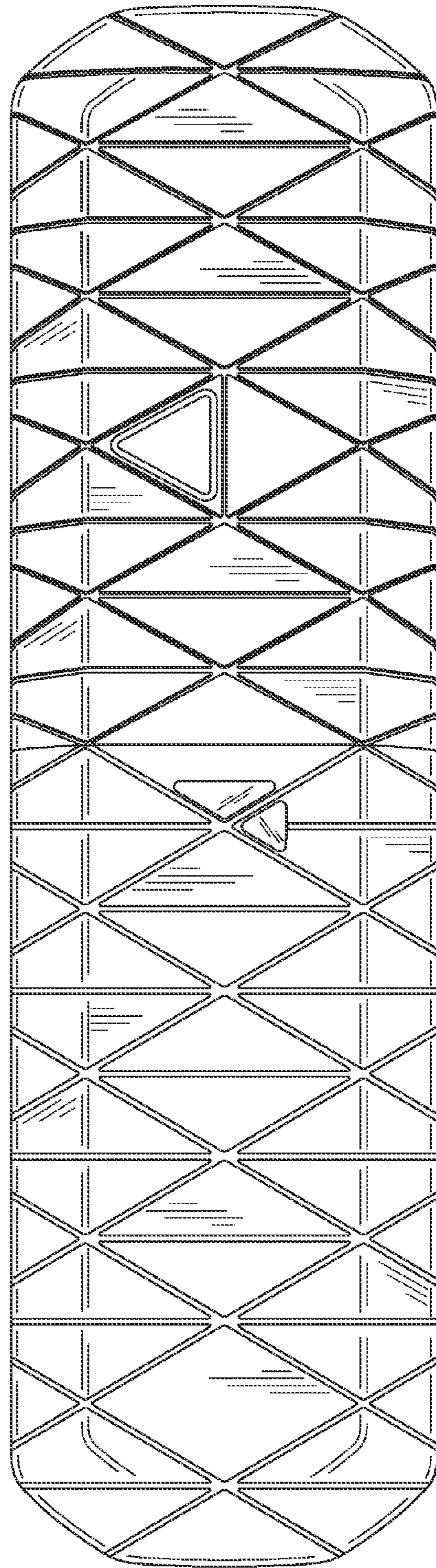


FIG. 3

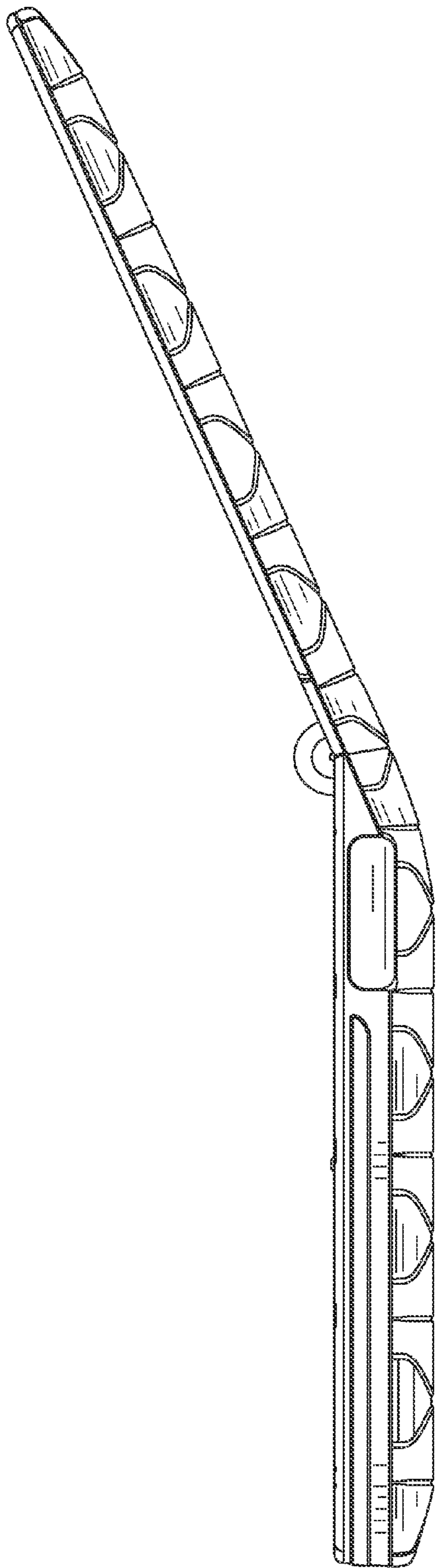


FIG. 4

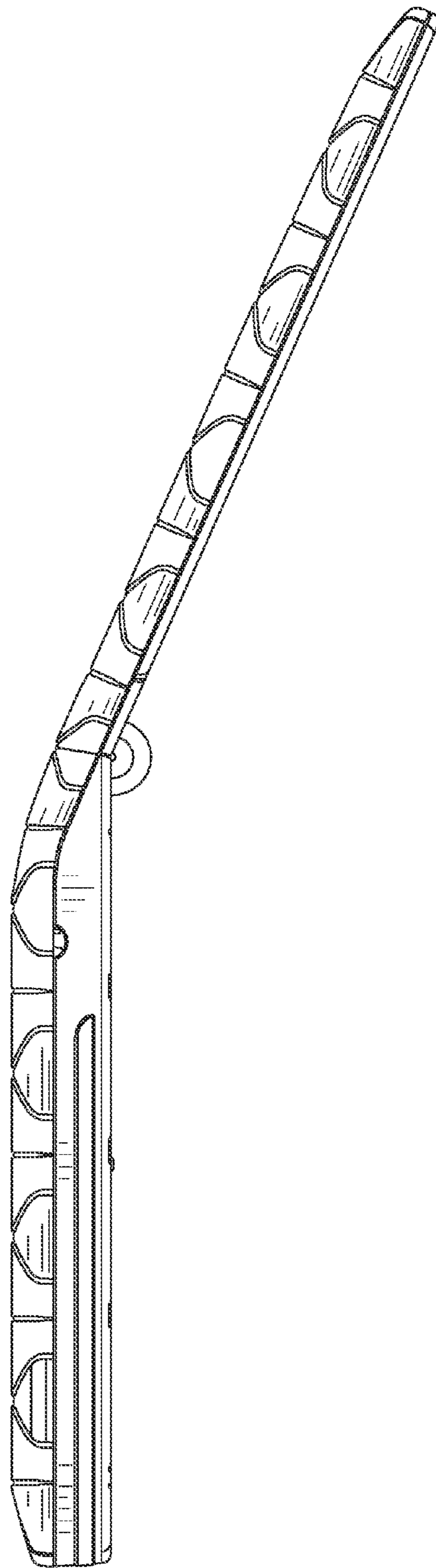


FIG. 5

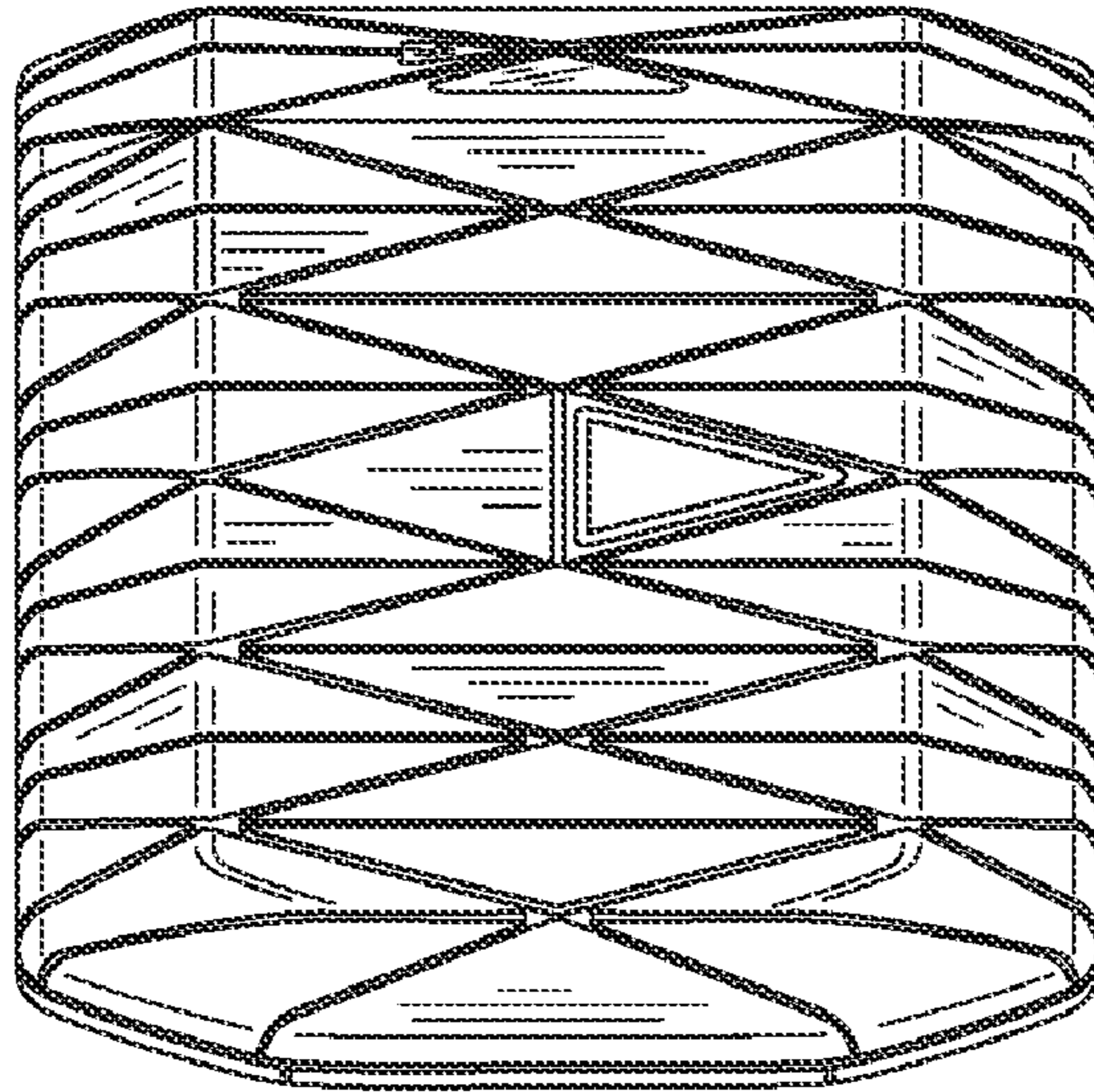


FIG. 6

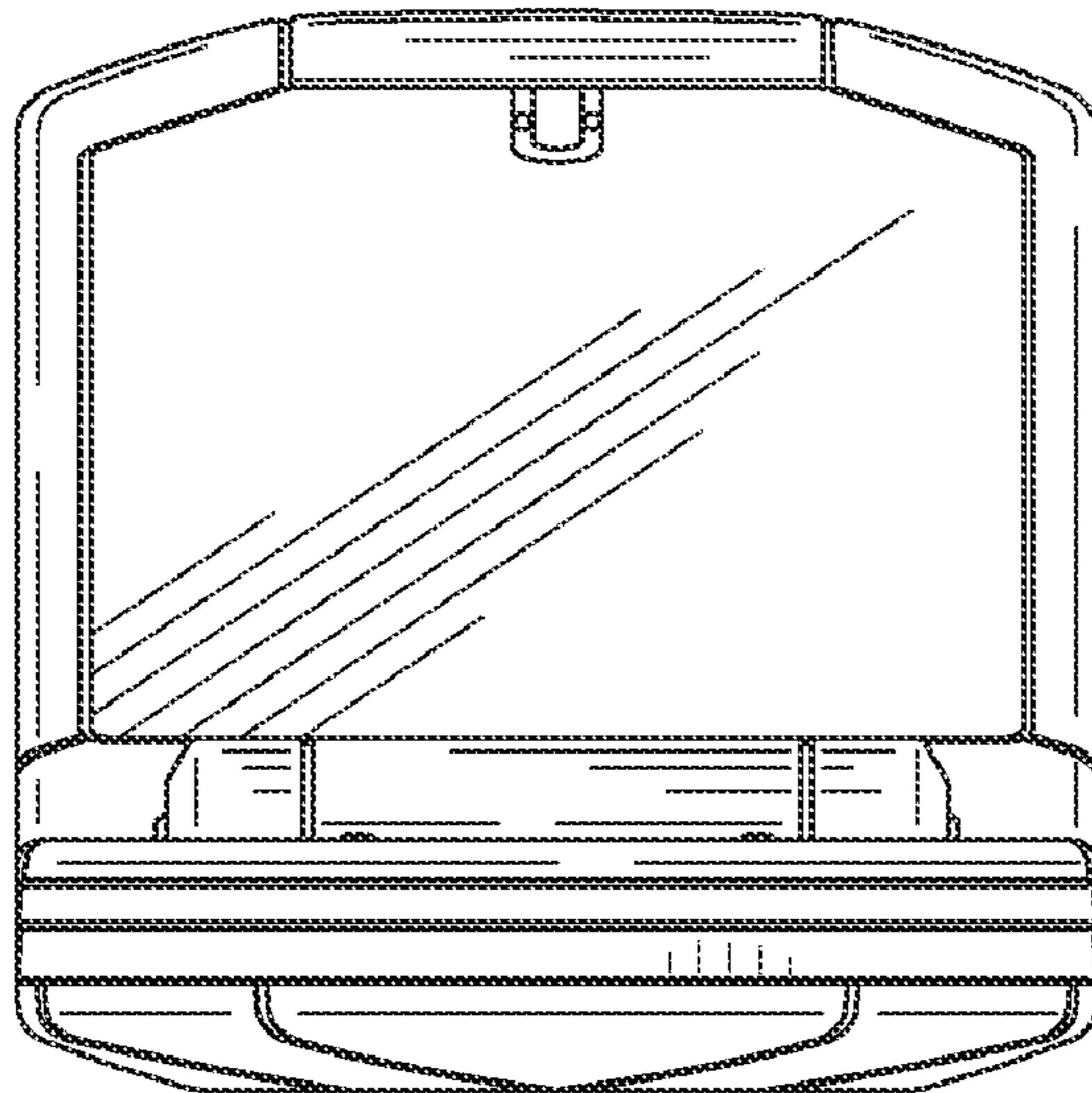


FIG. 7

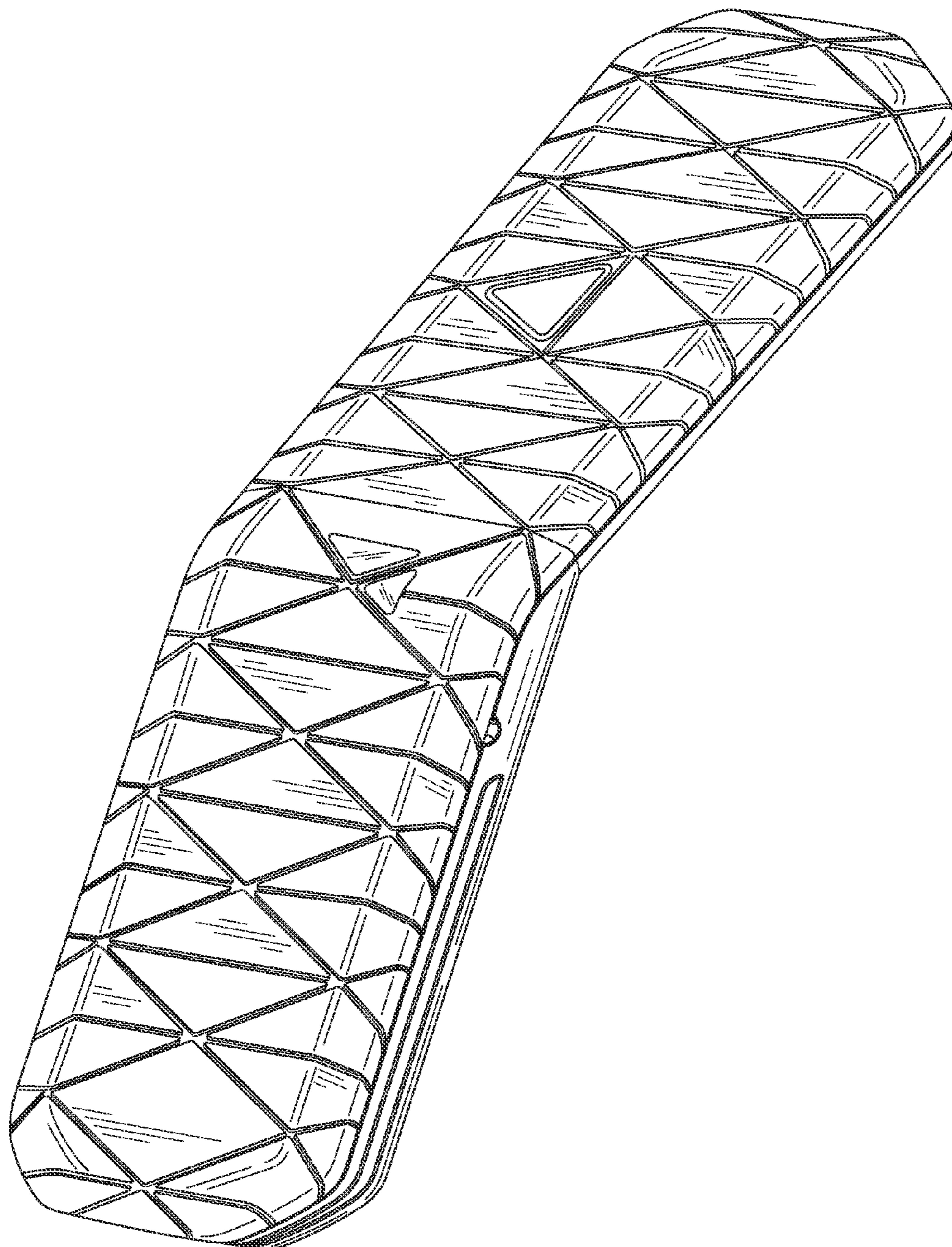


FIG. 8