



US00D589483S

(12) **United States Design Patent**
Tkachuk

(10) **Patent No.:** **US D589,483 S**
(45) **Date of Patent:** **** Mar. 31, 2009**

(54) **MOBILE PHONE**

(75) Inventor: **Steven Tkachuk**, Los Angeles, CA (US)

(73) Assignee: **Samsung Electronics Co., Ltd.**,
Suwon-Si (KR)

(**) Term: **14 Years**

(21) Appl. No.: **29/300,734**

(22) Filed: **Apr. 30, 2008**

(30) **Foreign Application Priority Data**

Jan. 25, 2008 (KR) 30-2008-0003783

(51) **LOC (9) Cl.** **14-03**

(52) **U.S. Cl.** **D14/138 AD**

(58) **Field of Classification Search** D14/137,
D14/138 R, 138 AA, 138 AB, 138 AC, 138 AD,
D14/138 C, 138 G, 147, 191, 218, 247-248,
D14/341-347, 455, 496; D10/65, 78, 104;
D13/168; D18/7; 455/556.1, 566, 575.1,
455/575.3; 345/169

See application file for complete search history.

(56) **References Cited**

U.S. PATENT DOCUMENTS

D495,695 S * 9/2004 Yugaya D14/346
D503,699 S * 4/2005 Lee et al. D14/138 AD
D509,202 S * 9/2005 Lee et al. D14/138 AD
D517,042 S * 3/2006 Byun et al. D14/191
D526,301 S * 8/2006 Shin D14/138 AD
D530,295 S * 10/2006 Chung et al. D14/138 AD
D536,691 S * 2/2007 Park D14/138 AD
D544,460 S * 6/2007 Yau D14/138 AD
D548,715 S * 8/2007 Lee et al. D14/138 AD
D549,204 S * 8/2007 Cho D14/138 AD
D551,201 S * 9/2007 Kim et al. D14/138 AD
D551,646 S * 9/2007 Kim et al. D14/138 AC
D552,579 S * 10/2007 Lee et al. D14/138 AC
D553,599 S * 10/2007 Lee et al. D14/138 AC

D557,245 S * 12/2007 Kim et al. D14/138 AD
D558,789 S * 1/2008 Yu et al. D14/496
D563,929 S * 3/2008 Park D14/138 AD
D572,699 S * 7/2008 Ahn et al. D14/138
D575,759 S * 8/2008 Park et al. D14/138
D576,141 S * 9/2008 Moon et al. D14/138 G
D579,899 S * 11/2008 Park et al. D14/138 R
D579,904 S * 11/2008 Kim et al. D14/138 R
2005/0143108 A1 * 6/2005 Seo et al. 455/466
2005/0245251 A1 * 11/2005 Lee et al. 455/422.1
2006/0205450 A1 * 9/2006 Amano et al. 455/575.4
2008/0242377 A1 * 10/2008 Lee 455/575.1

OTHER PUBLICATIONS

BenQ EL71 and/or BenQ-Siemens EL71, both announced Feb. 2006, [online]. [retrieved on Dec. 13, 2007 and Feb. 16, 2007 respectively]. Retrieved from Internet ,<URL: <http://www.gsmarena.com>>.*

(Continued)

Primary Examiner—Jeffrey D Asch

Assistant Examiner—Bridget L Eland

(74) *Attorney, Agent, or Firm*—Staas & Halsey LLP

(57)

CLAIM

The ornamental design for a mobile phone, as shown and described.

DESCRIPTION

FIG. 1 is a perspective view of a mobile phone;

FIG. 2 is a front view of the mobile phone of FIG. 1;

FIG. 3 is a rear view of the mobile phone of FIG. 1;

FIG. 4 is a left-side view of the mobile phone of FIG. 1;

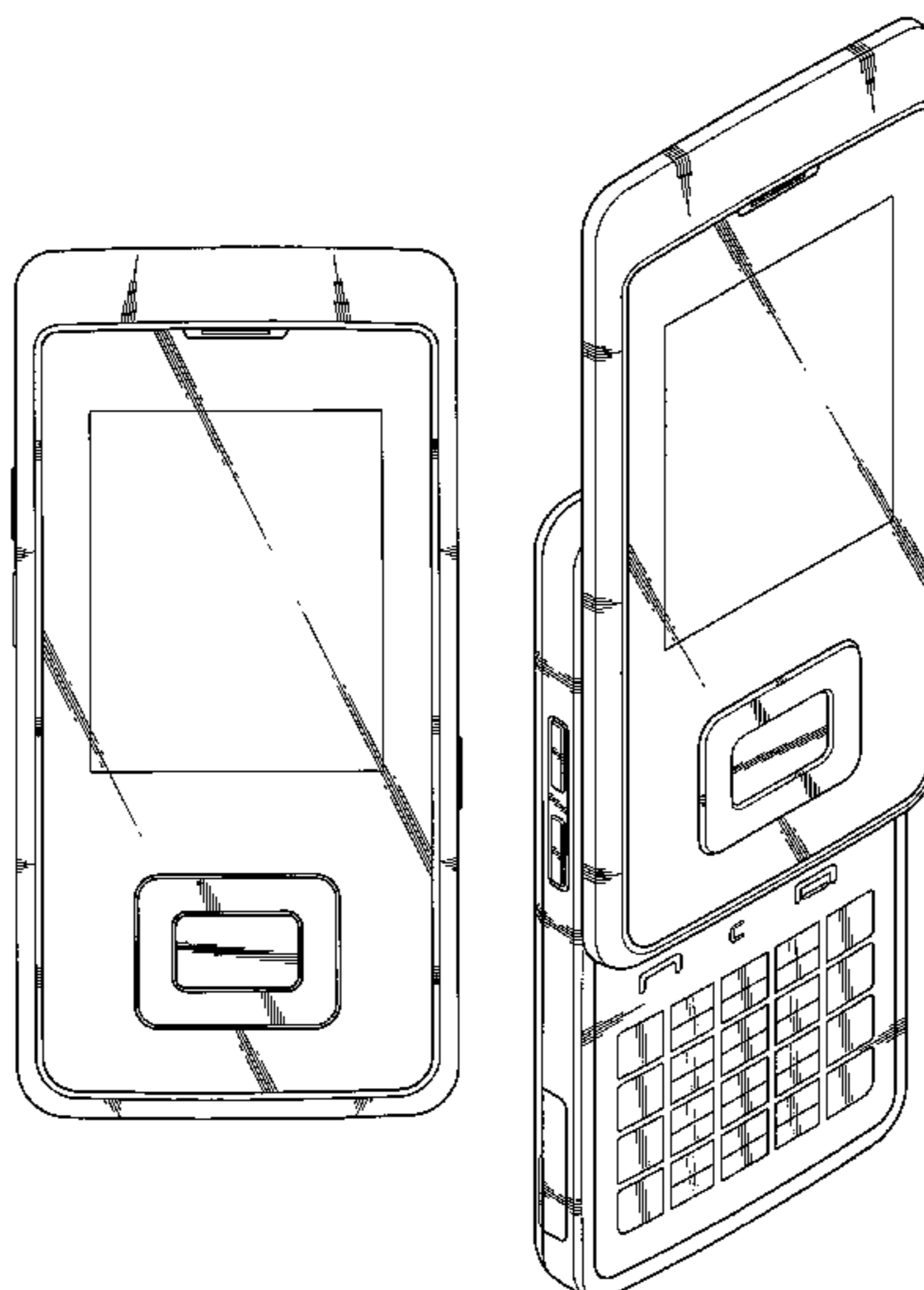
FIG. 5 is a right-side view of the mobile phone of FIG. 1;

FIG. 6 is a top plan view of the mobile phone of FIG. 1;

FIG. 7 is a bottom plan view of the mobile phone of FIG. 1; and,

FIG. 8 is an open perspective view of the mobile phone of FIG. 1.

1 Claim, 6 Drawing Sheets



OTHER PUBLICATIONS

Asus P535, announced Nov. 2006, [online], [retrieved on Feb. 20, 2007]. Retrieved from Internet ,<URL: <http://www.gsmarena.com>>.*

Eten glofish X500, announced Oct. 2006, [online], [retrieved on Feb. 20, 2007]. Retrieved from Internet ,<URL: <http://www.gsmarena.com>>.*

LG KG800, announced Mar. 2006, [online], [retrieved on Feb. 20, 2007]. Retrieved from Internet ,<URL: <http://www.gsmarena.com>>.*

Qtek A9100, announced Mar. 2006, [online], [retrieved on Nov. 8, 2008]. Retrieved from Internet ,<URL: <http://www.gsmarena.com>>.*

Samsung G800, announced Oct. 2007, [online], [retrieved on Dec. 13, 2007]. Retrieved from Internet ,<URL: <http://www.gsmarena.com>>.*

Samsung P960, announced Feb. 2008, [online], [retrieved on Mar. 21, 2008]. Retrieved from Internet ,<URL: <http://www.gsmarena.com>>.*

* cited by examiner

FIG. 1

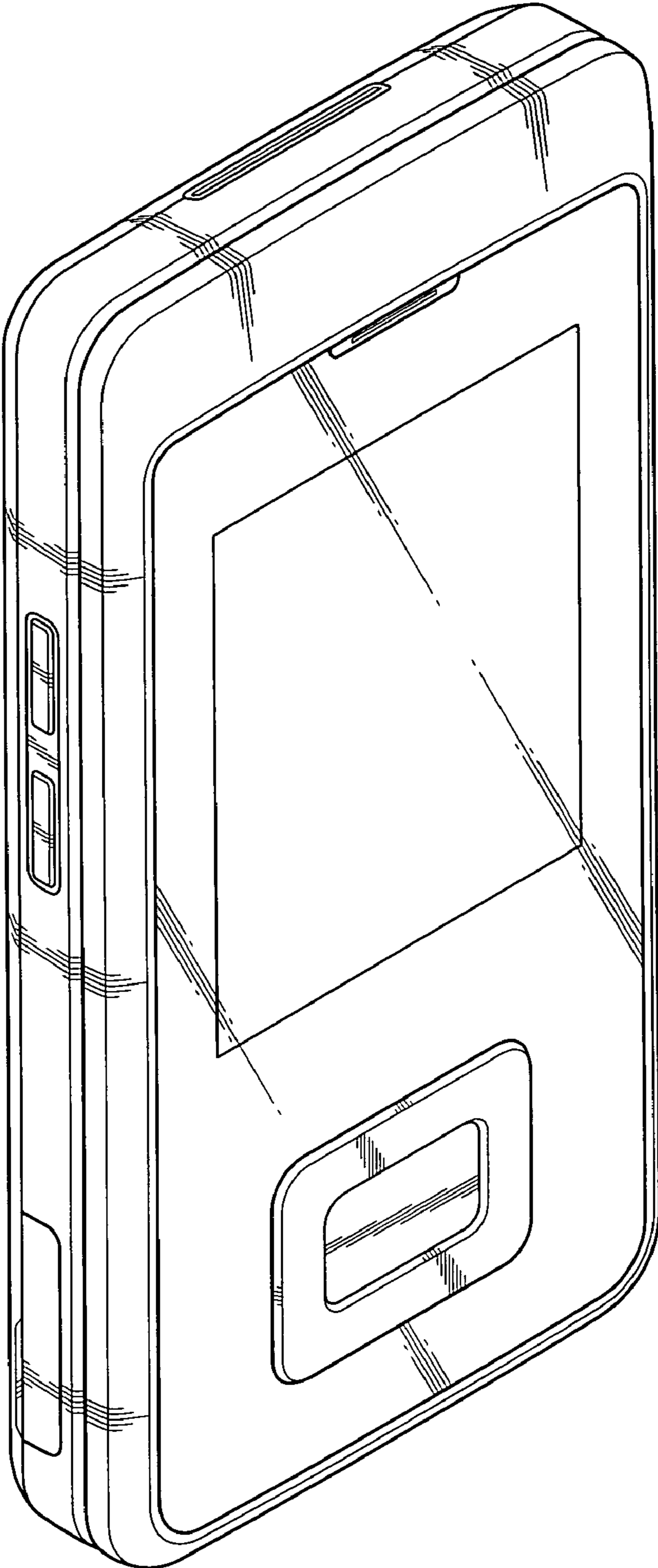


FIG. 2

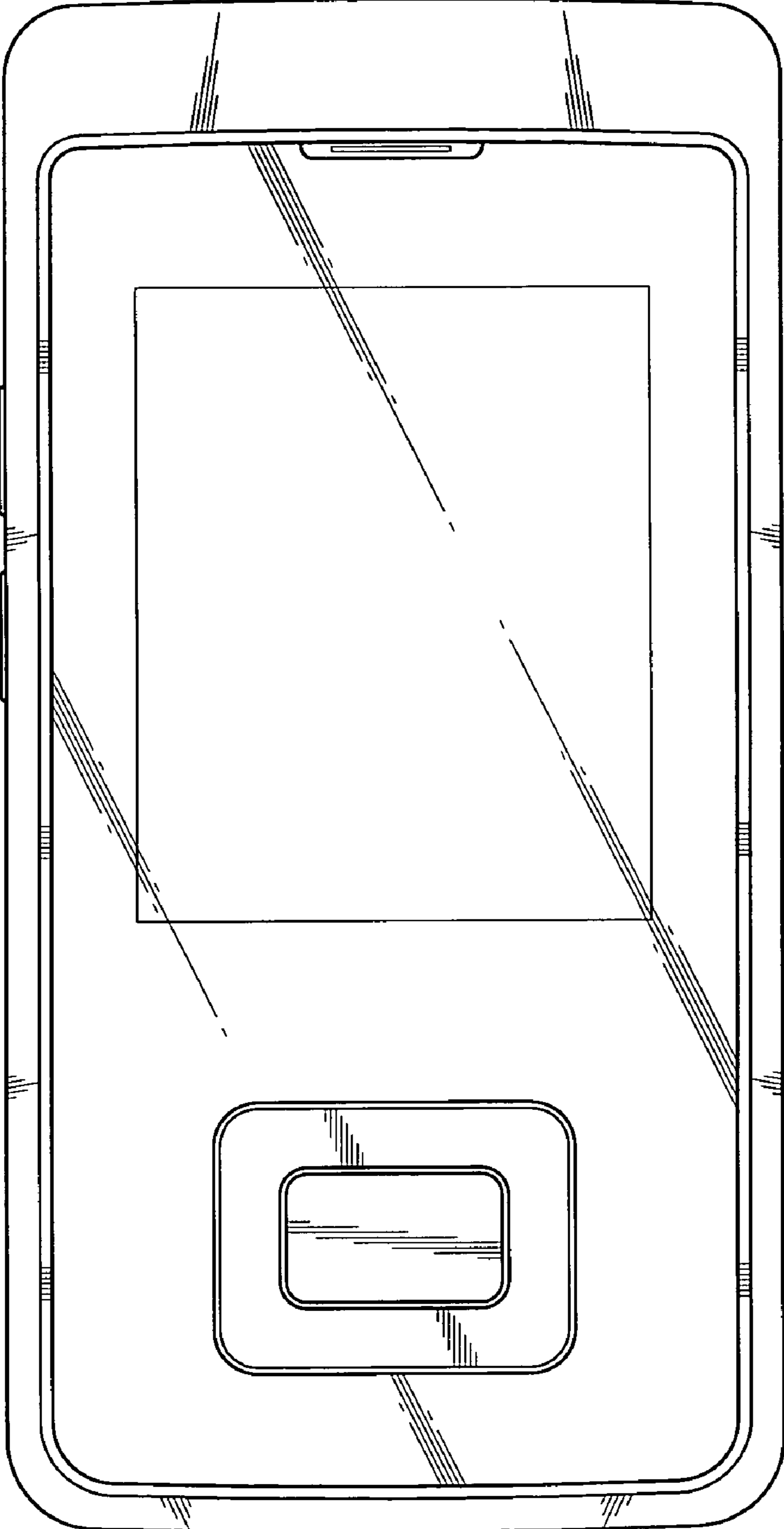


FIG. 3

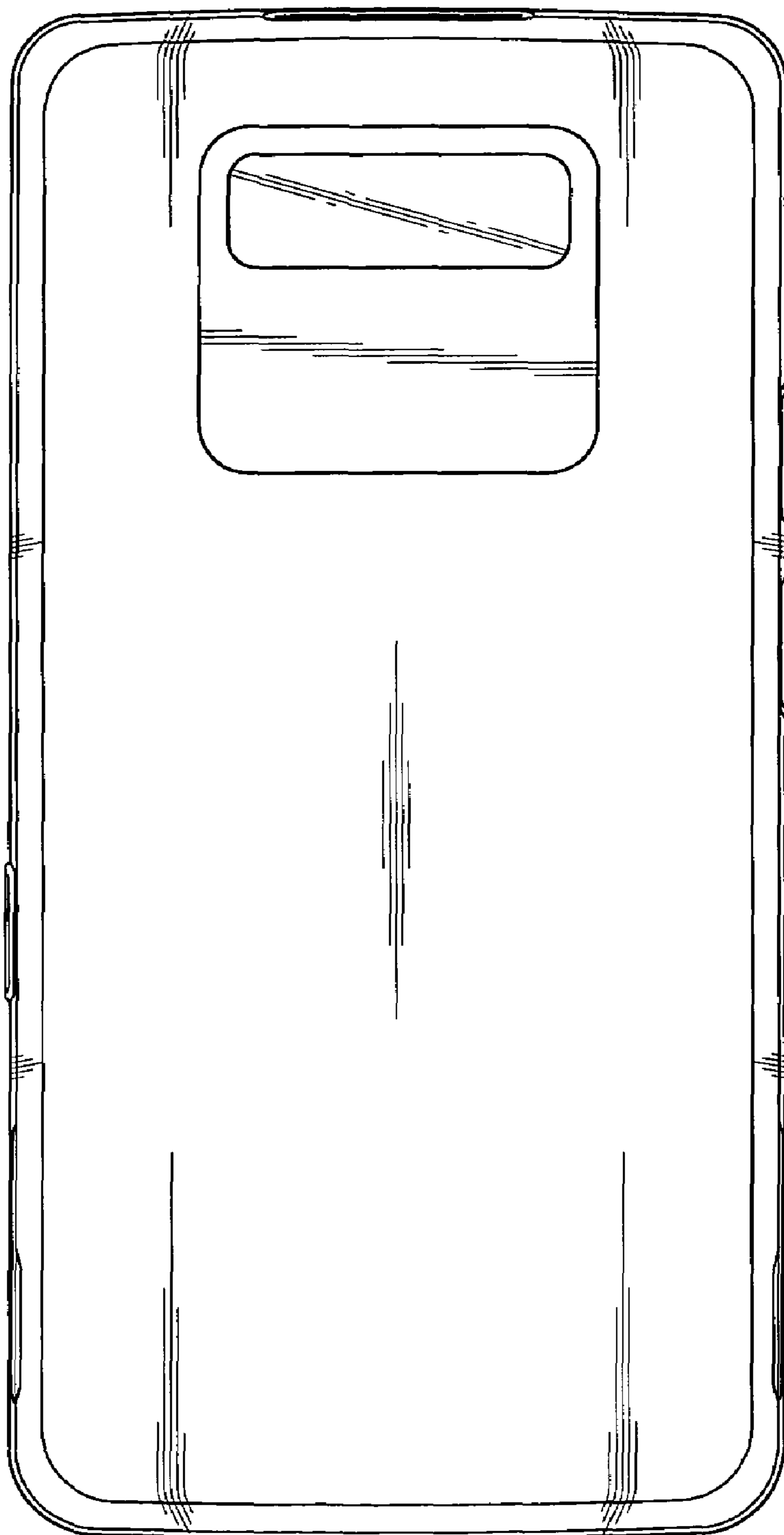


FIG. 4

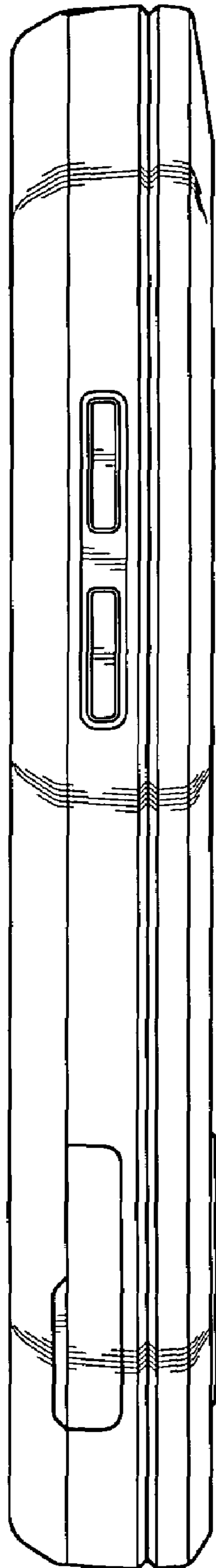


FIG. 5

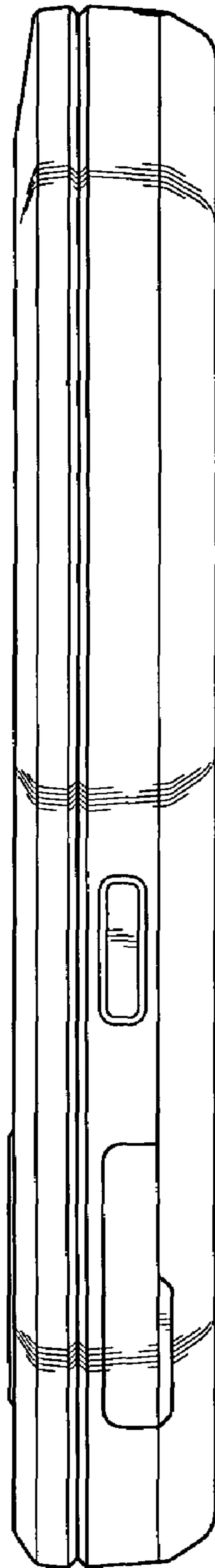


FIG. 6



FIG. 7

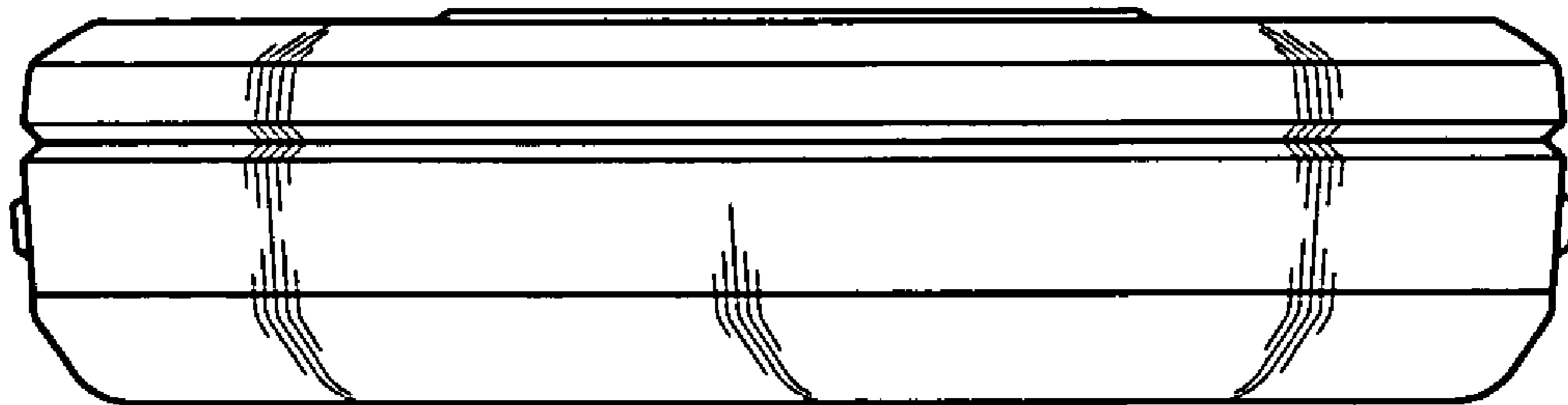


FIG. 8

