



US00D589482S

(12) **United States Design Patent**
Lee et al.

(10) **Patent No.:** **US D589,482 S**
(45) **Date of Patent:** **** Mar. 31, 2009**

(54) **MOBILE PHONE**

(75) Inventors: **Yang-Jic Lee**, Gwacheon-si (KR);
Beom-Ku Han, Seoul (KR); **Gee-Hong Yoon**, Seongnam-si (KR)

(73) Assignee: **Samsung Electronics Co., Ltd.**,
Suwon-Si (KR)

(**) Term: **14 Years**

(21) Appl. No.: **29/300,431**

(22) Filed: **Mar. 26, 2008**

(30) **Foreign Application Priority Data**

Dec. 26, 2007 (KR) 30-2007-0053460

(51) **LOC (9) Cl.** **14-03**

(52) **U.S. Cl.** **D14/138 AD**

(58) **Field of Classification Search** D14/137,
D14/138 R, 138 AA, 138 AB, 138 AC, 138 AD,
D14/138 C, 138 G, 147, 191, 218, 247-248,
D14/341-347, 496; D10/65, 78, 104; D13/168;
D18/7; 455/556.1, 566, 575.1, 575.3; 345/169
See application file for complete search history.

(56) **References Cited**

U.S. PATENT DOCUMENTS

D515,060 S 2/2006 Lee et al.
D519,998 S * 5/2006 Park D14/346
D527,000 S * 8/2006 Hong et al. D14/346
D531,977 S * 11/2006 Kim et al. D14/138 AD
D543,176 S * 5/2007 Hyun et al. D14/138 G
D543,966 S * 6/2007 Peng et al. D14/138 AD
D544,459 S * 6/2007 Wang D14/138 AD
D545,290 S * 6/2007 Yau D14/138 AD
D547,296 S * 7/2007 Lin D14/138 AD
D548,715 S * 8/2007 Lee et al. D14/138 AD
D562,298 S * 2/2008 Yoon D14/138 AD
D563,933 S * 3/2008 Lee et al. D14/138 AB
D567,792 S * 4/2008 Park et al. D14/138 AD
D567,797 S * 4/2008 Suk et al. D14/138 G

D569,365 S * 5/2008 Shin et al. D14/138 AC
D571,234 S * 6/2008 Reeson et al. D10/65
D571,762 S * 6/2008 Lee et al. D14/138
D572,685 S * 7/2008 Peng D14/138
D572,695 S * 7/2008 Tu D14/138
D577,349 S * 9/2008 Choi et al. D14/138 AD
D578,503 S * 10/2008 Shin et al. D14/138 AD
D578,985 S * 10/2008 Kim et al. D14/138 R
D578,986 S * 10/2008 Kim et al. D14/138 R
2008/0024453 A1 * 1/2008 Webb et al. 345/169
2008/0058022 A1 * 3/2008 Ahn 455/566
2008/0207273 A1 * 8/2008 Huo 455/566
2008/0266378 A1 * 10/2008 Ryu 348/14.02

OTHER PUBLICATIONS

Eten glofish DX900, announced Jun. 2008, [online], [retrieved on Jun. 13, 2008]. Retrieved from Internet ,<URL: <http://www.gsmarena.com>>.*

(Continued)

Primary Examiner—Jeffrey D Asch

Assistant Examiner—Bridget L Eland

(74) *Attorney, Agent, or Firm*—Staas & Halsey LLP

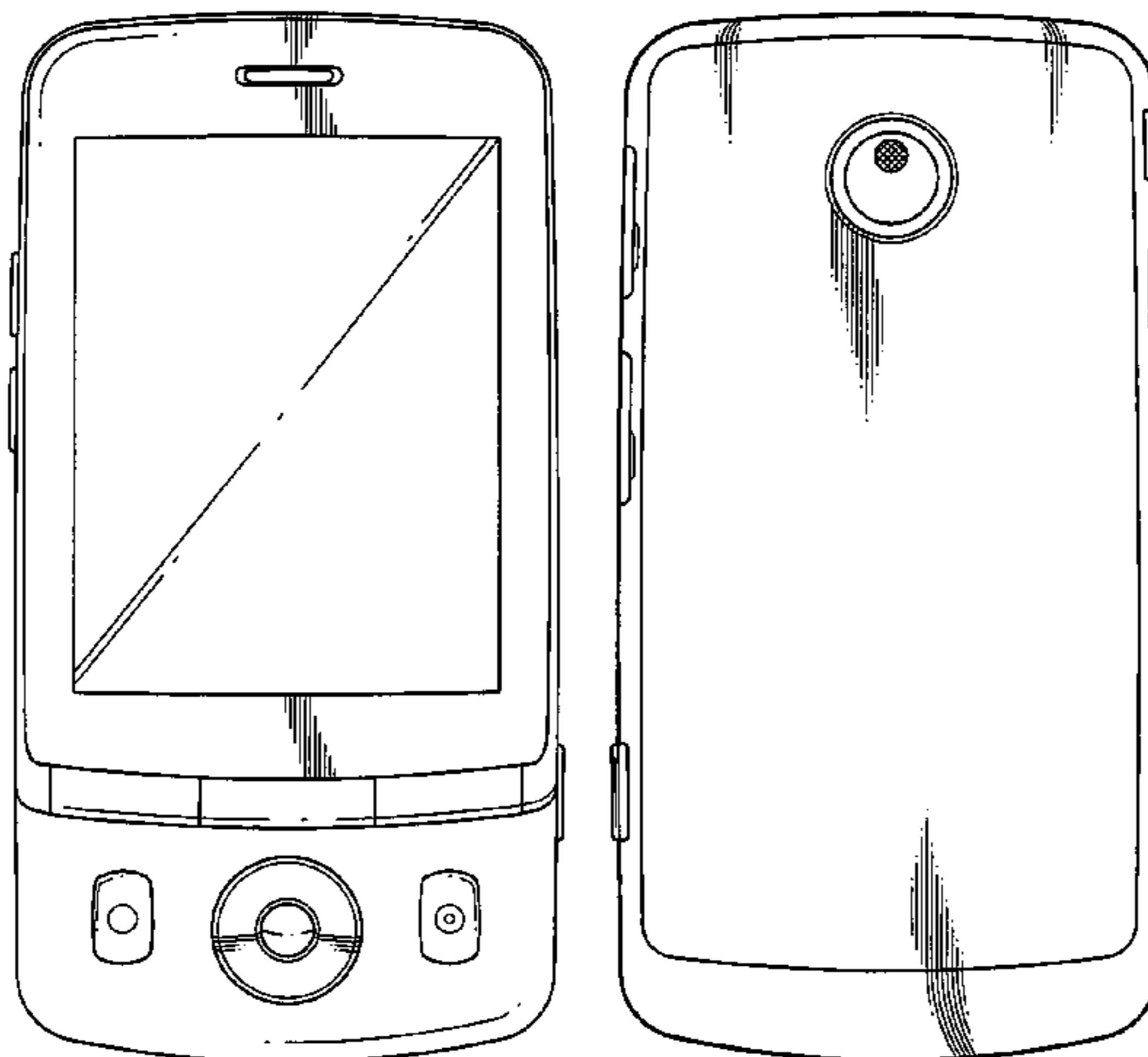
(57) **CLAIM**

The ornamental design for a mobile phone, as shown and described.

DESCRIPTION

FIG. 1 is a perspective view of a mobile phone;
FIG. 2 is a front view of the mobile phone of FIG. 1;
FIG. 3 is a rear view of the mobile phone of FIG. 1;
FIG. 4 is a left-side view of the mobile phone of FIG. 1;
FIG. 5 is a right-side view of the mobile phone of FIG. 1;
FIG. 6 is a top plan view of the mobile phone of FIG. 1;
FIG. 7 is a bottom plan view of the mobile phone of FIG. 1;
and,
FIG. 8 is an open perspective view of the mobile phone of FIG. 1.

1 Claim, 6 Drawing Sheets



OTHER PUBLICATIONS

HTC P3470, announced Feb. 2008, [online], [retrieved on Mar. 21, 2008]. Retrieved from Internet ,<URL: <http://www.gsmarena.com>>.*

LG U960, announced 3rd quarter 2007, [online], [retrieved on Dec. 13, 2007]. Retrieved from Internet ,<URL: <http://www.gsmarena.com>>.*

LG KT520, announced Feb. 2008, [online], [retrieved on Mar. 21, 2008]. Retrieved from Internet ,<URL: <http://www.gsmarena.com>>.*

Nokia 6600 slide, announced Apr. 2008, [online], [retrieved on May 14, 2008]. Retrieved from Internet ,<URL: <http://www.gsmarena.com>>.*

Pantech PG3000, announced 1st quarter 2005, [online], [retrieved on Feb. 20, 2007]. Retrieved from Internet ,<URL: <http://www.gsmarena.com>>.*

Samsung F250, announced Aug. 2007, [online], [retrieved on Dec. 13, 2007]. Retrieved from Internet ,<URL: <http://www.gsmarena.com>>.*

Samsung T819, announced Jan. 2008, [online], [retrieved on Feb. 6, 2008]. Retrieved from Internet ,<URL: <http://www.gsmarena.com>>.*

Taiwanese Office Action issued on Jan. 15, 2009 in corresponding Taiwan Design Patent Application 097302002.

* cited by examiner

FIG. 1

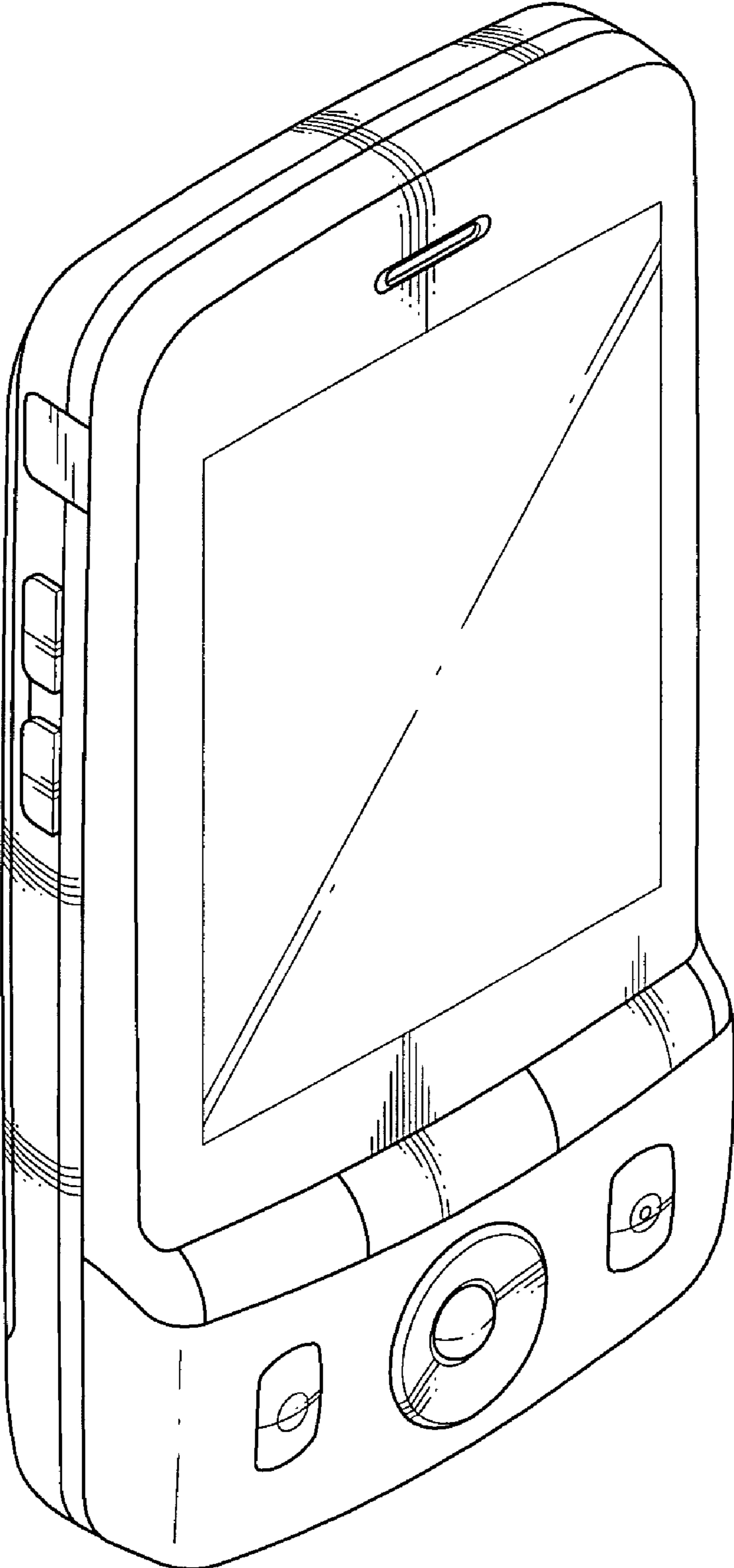


FIG. 2

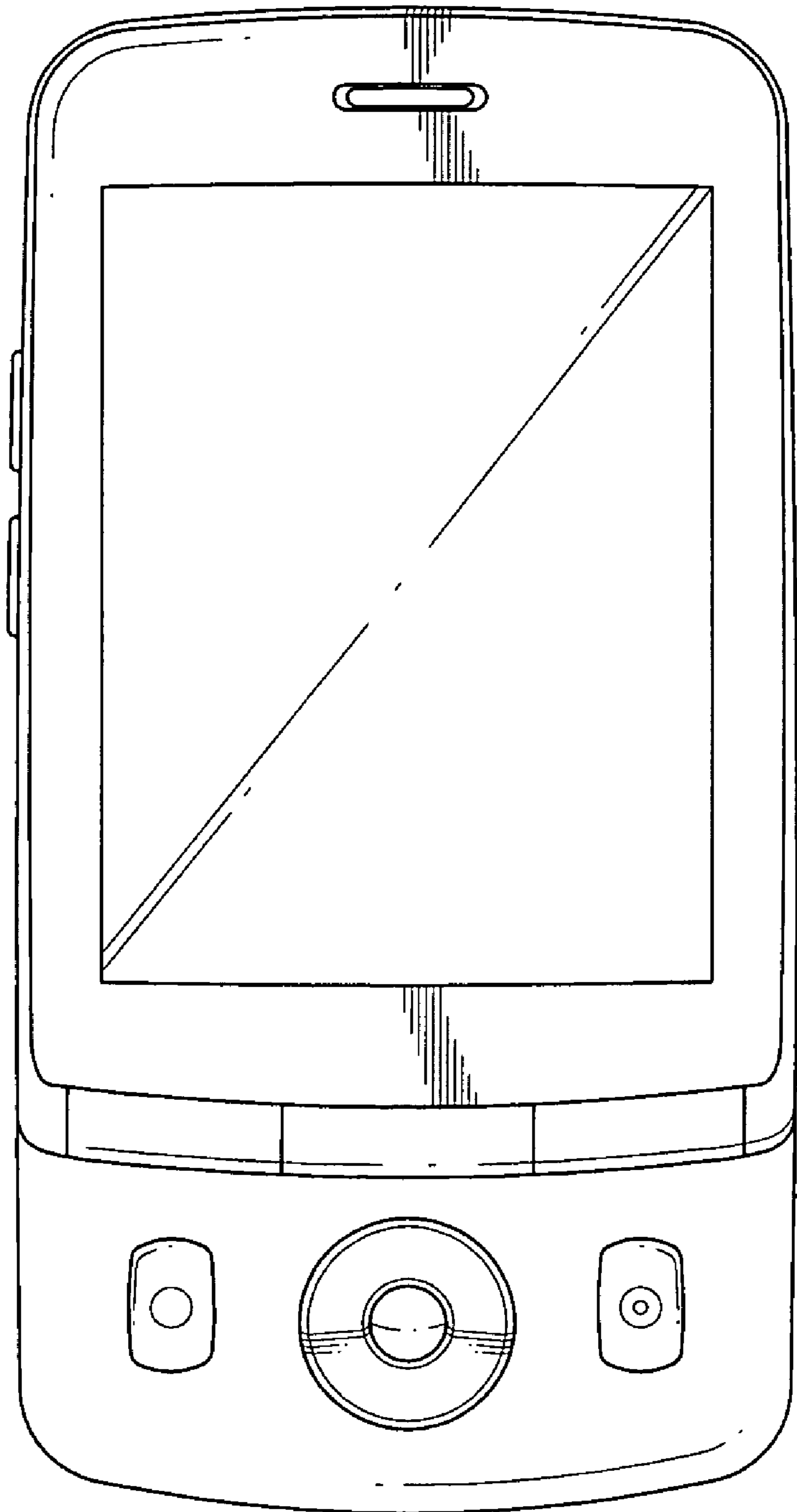


FIG. 3

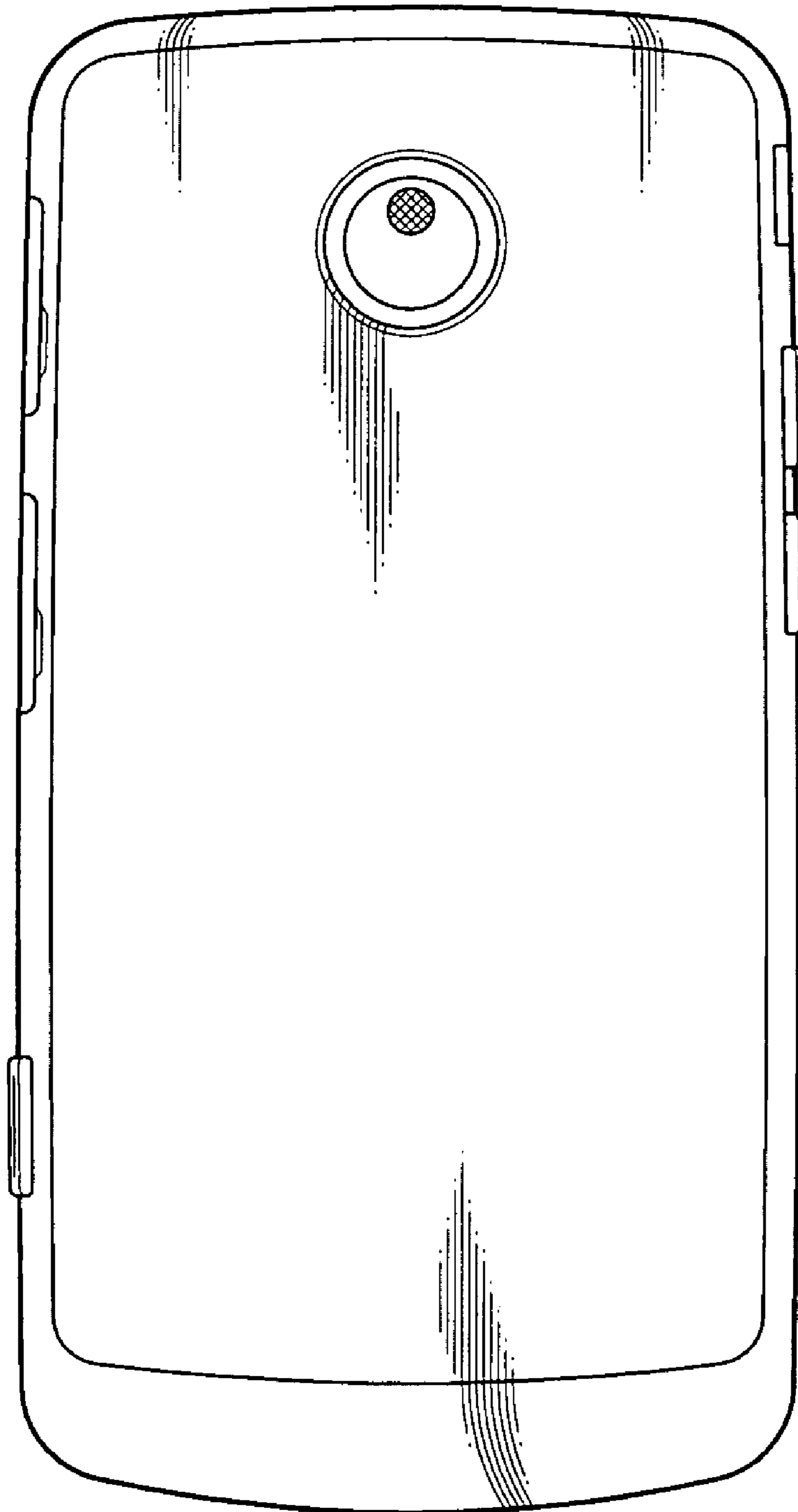


FIG. 4

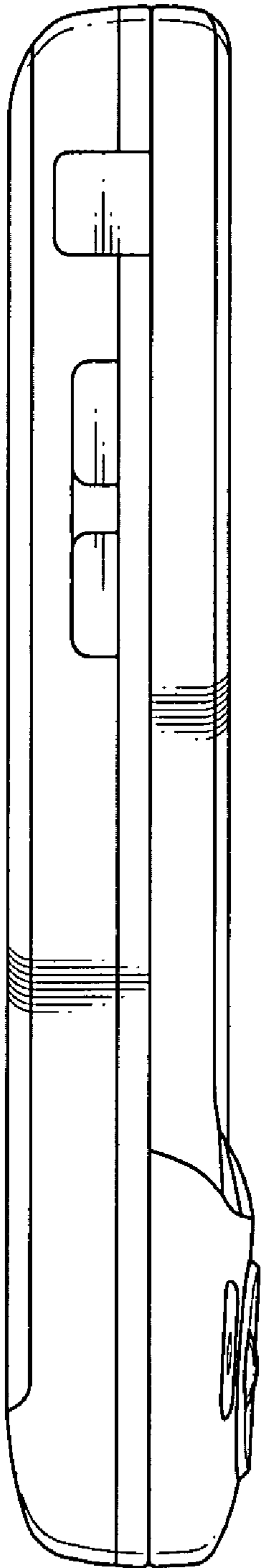


FIG. 5

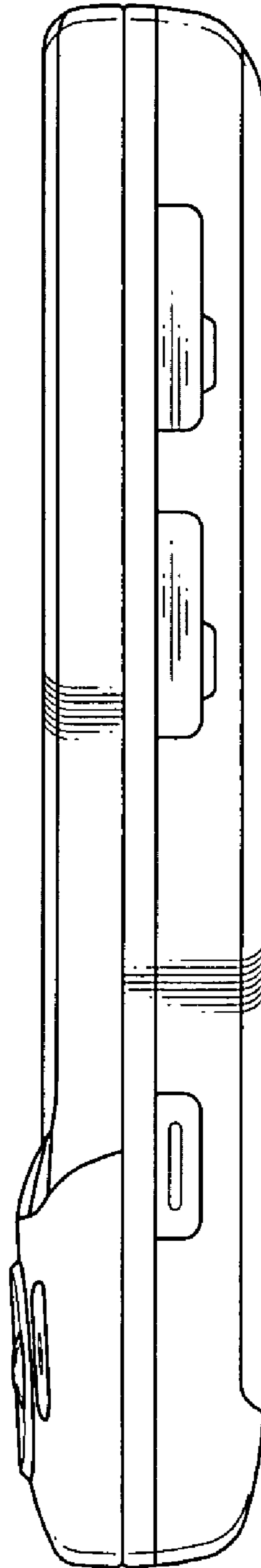


FIG. 6

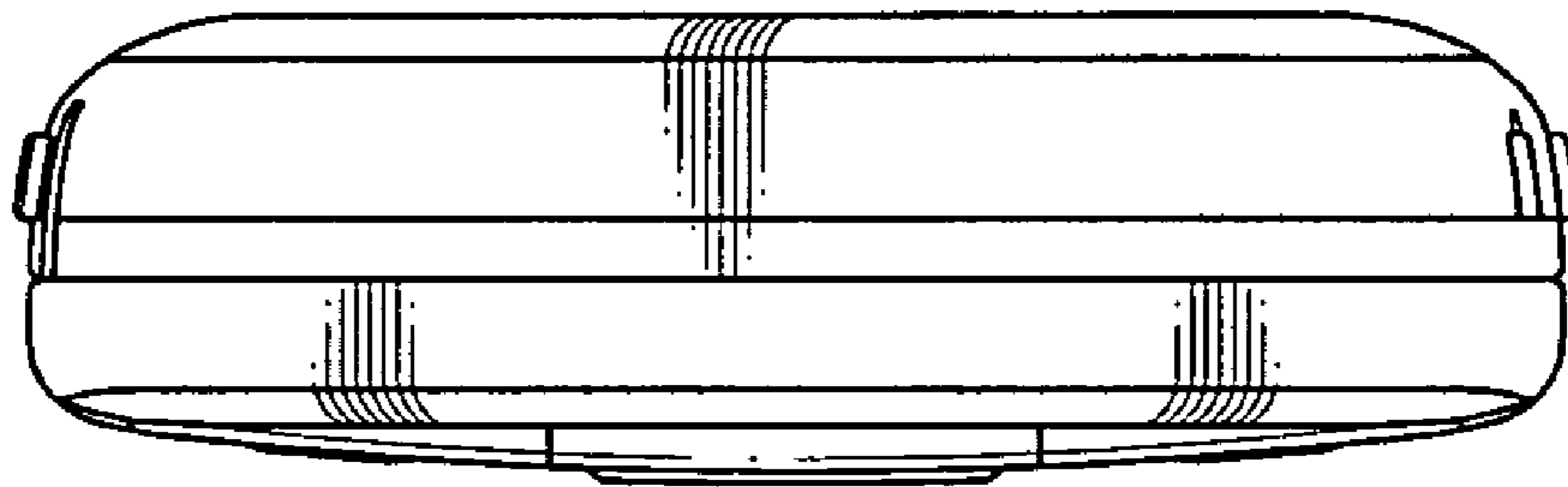


FIG. 7

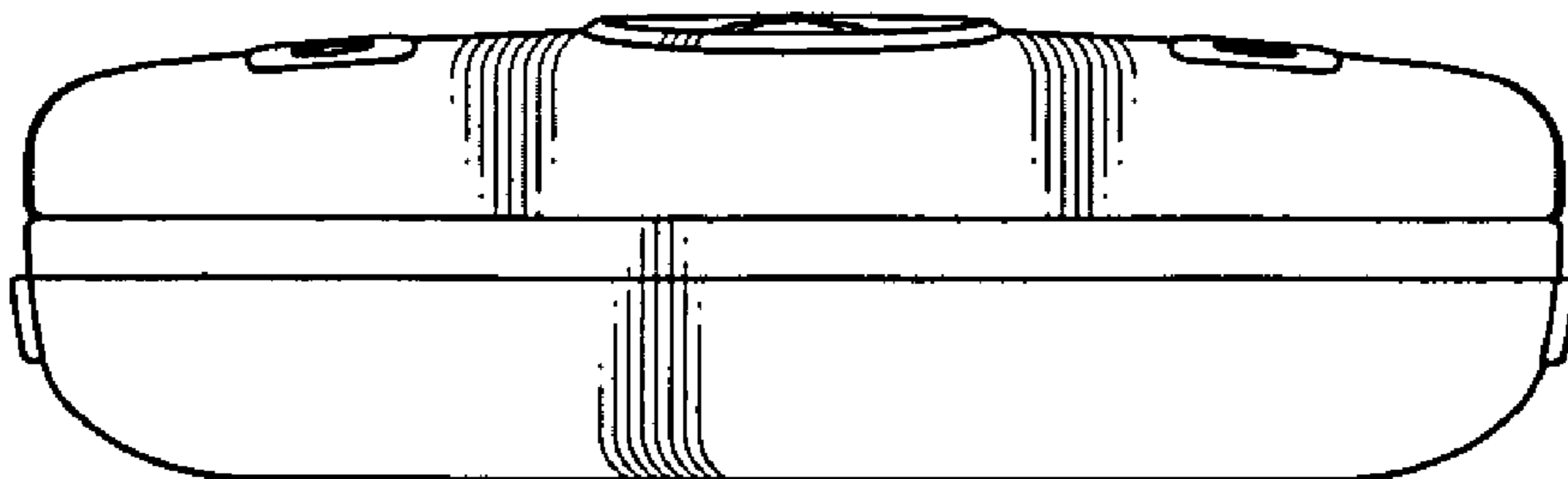


FIG. 8

