



US00D589481S

(12) **United States Design Patent**  
**Nara et al.**

(10) **Patent No.:** **US D589,481 S**  
(45) **Date of Patent:** **\*\* Mar. 31, 2009**

(54) **MOBILE TELEPHONE**

(75) Inventors: **Katsuhiro Nara**, Tokyo (JP); **Masaru Jinde**, Sagamihara (JP); **Shinobu Sugioka**, Ageo (JP)

(73) Assignee: **Casio Hitachi Mobile Communications Co., Ltd.**, Tokyo (JP)

(\*\*) Term: **14 Years**

(21) Appl. No.: **29/294,509**

(22) Filed: **Jan. 15, 2008**

(51) **LOC (9) Cl.** ..... **14-03**

(52) **U.S. Cl.** ..... **D14/138 AB**

(58) **Field of Classification Search** ..... D14/138 AB,  
D14/496, 341-347; 455/575.3

See application file for complete search history.

(56) **References Cited**

U.S. PATENT DOCUMENTS

D489,699 S *	5/2004	Hwang et al. ....	D14/138 AB
D491,158 S *	6/2004	Mou et al. ....	D14/138 AB
D491,548 S *	6/2004	Cho .....	D14/138 AB
D507,553 S *	7/2005	Gotou et al. ....	D14/138 AB
D511,509 S *	11/2005	Kim et al. ....	D14/138 AB
D518,013 S *	3/2006	Fuxen .....	D14/138 AB
D519,481 S *	4/2006	Nara .....	D14/138 AB
D519,965 S *	5/2006	Lodato et al. ....	D14/138 AB
D523,833 S *	6/2006	Koh et al. ....	D14/138 AB
D542,255 S *	5/2007	Hong et al. ....	D14/138 AB
D545,798 S *	7/2007	Kimbre .....	D14/138 AB
D558,708 S *	1/2008	Wolf et al. ....	D14/138 AB
D563,928 S *	3/2008	Sugioka .....	D14/138 AB
D565,007 S *	3/2008	Nara .....	D14/138 AB
D566,078 S *	4/2008	Nara .....	D14/138 AB
D566,087 S *	4/2008	Choi .....	D14/138 AB
D566,670 S *	4/2008	Huang .....	D14/138 AB
D566,675 S *	4/2008	Lee .....	D14/138 AB
D568,848 S *	5/2008	Wolf et al. ....	D14/138 AB
D569,822 S *	5/2008	Laine .....	D14/138 AB
D571,331 S *	6/2008	Jung .....	D14/138
D572,223 S *	7/2008	Lim .....	D14/138
D576,597 S *	9/2008	Lim et al. ....	D14/138 AB
D576,995 S *	9/2008	Jinde et al. ....	D14/138 AB
2006/0160585 A1 *	7/2006	Miyagawa et al. ....	455/575.7

2006/0177048 A1\* 8/2006 Tsutaichi et al. .... 379/433.13

OTHER PUBLICATIONS

NEC N500i telephone, announced Feb. 2006, [online], [site visited Dec. 6, 2008]. Available from Internet ,<URL: http://www.gsmarena.com>.\*

NEC N620 telephone, announced 3<sup>rd</sup> quarter 2004, [online], [site visited Dec. 6, 2008]. Available from Internet ,<URL: http://www.gsmarena.com>.\*

Sony Ericsson Z300 telephone, announced Nov. 2005, [online], [site visited Dec. 6, 2008]. Available from Internet ,<URL: http://www.gsmarena.com>.\*

LG M4300 telephone, announced 1<sup>st</sup> quarter 2005, [online], [site visited Dec. 6, 2008]. Available from Internet ,<URL: http://www.gsmarena.com>.\*

VK Mobile VK300 telephone, announced Jul. 2005, [online], [site visited Dec. 6, 2008]. Available from Internet ,<URL: http://www.gsmarena.com>.\*

Related U.S. Appl. No. 29/294,858, filed Jan. 30, 2008; Inventor(s) M. Jinde, et al, Title: Mobile Telephone.

\* cited by examiner

*Primary Examiner*—Jeffrey D Asch

(74) *Attorney, Agent, or Firm*—Frishauf, Holtz, Goodman & Chick, P.C.

(57) **CLAIM**

The ornamental design for a mobile telephone, as shown and described.

**DESCRIPTION**

FIG. 1 is a front view of a mobile telephone showing our new design;

FIG. 2 is a rear view thereof;

FIG. 3 is a top plan view thereof;

FIG. 4 is a bottom plan view thereof;

FIG. 5 is a left side view thereof;

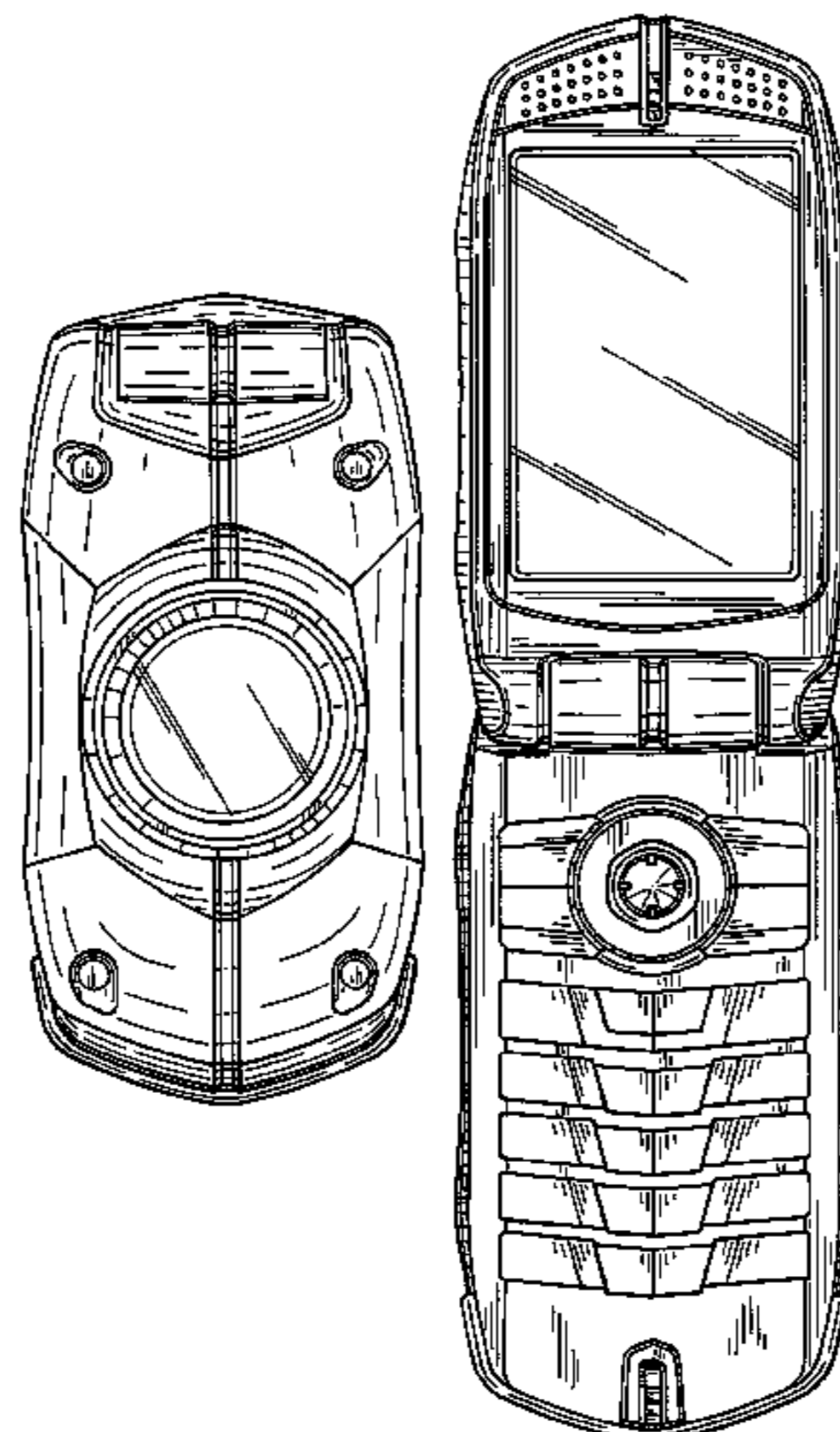
FIG. 6 is a right side view thereof;

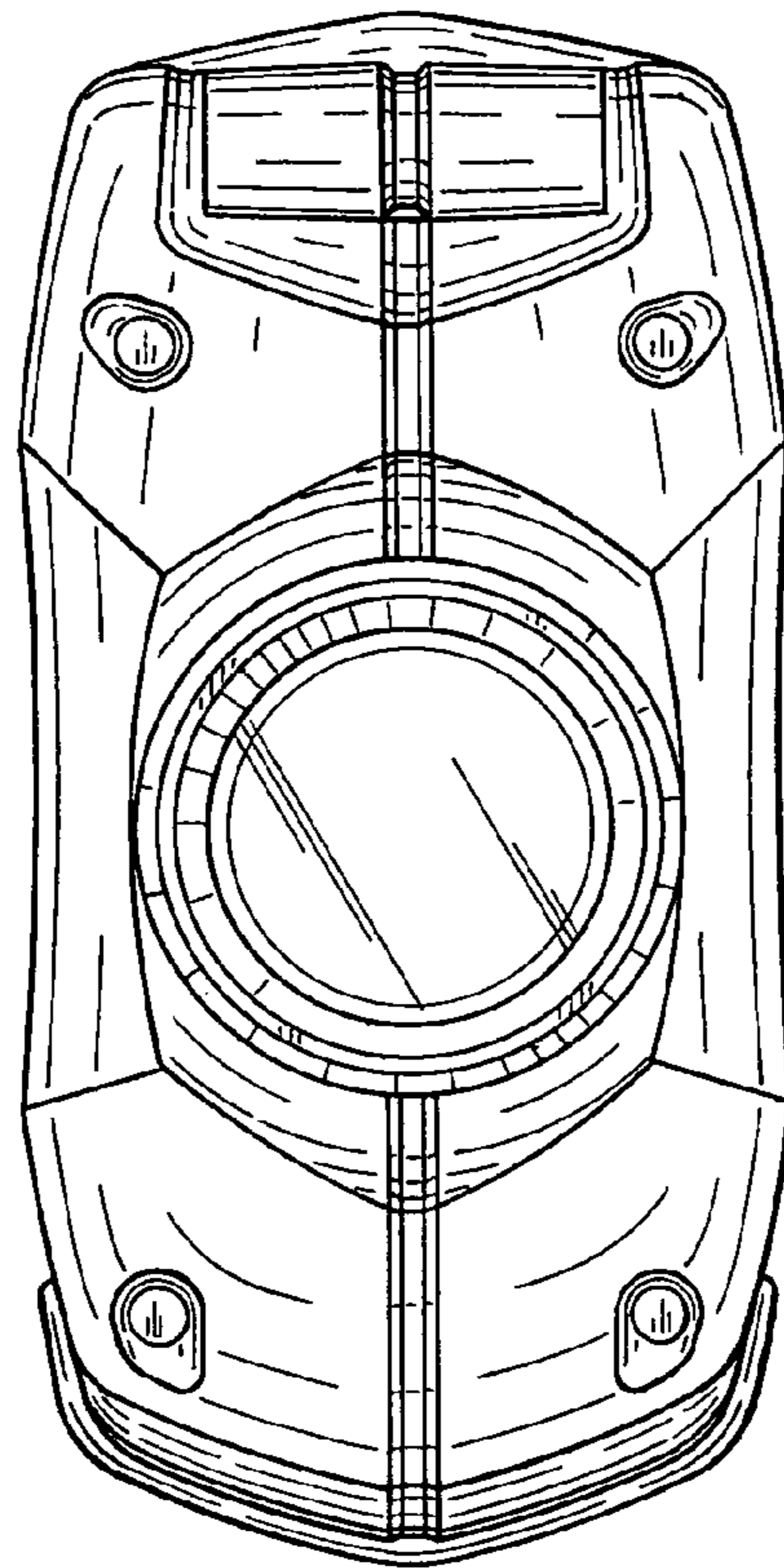
FIG. 7 is a front view thereof in an open position;

FIG. 8 is a right side view thereof; and,

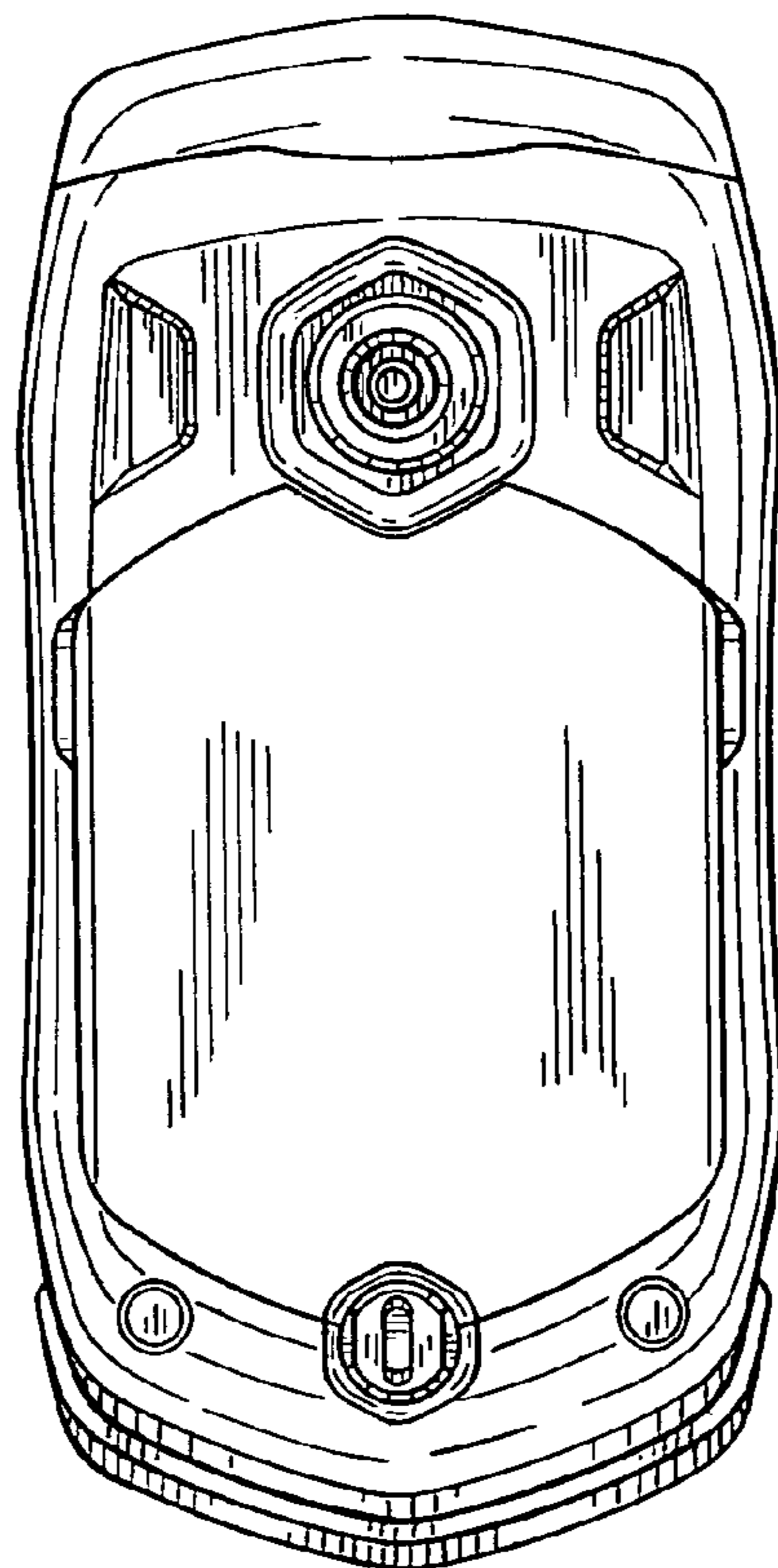
FIG. 9 is a front, right side and bottom perspective view thereof in a closed position.

**1 Claim, 5 Drawing Sheets**

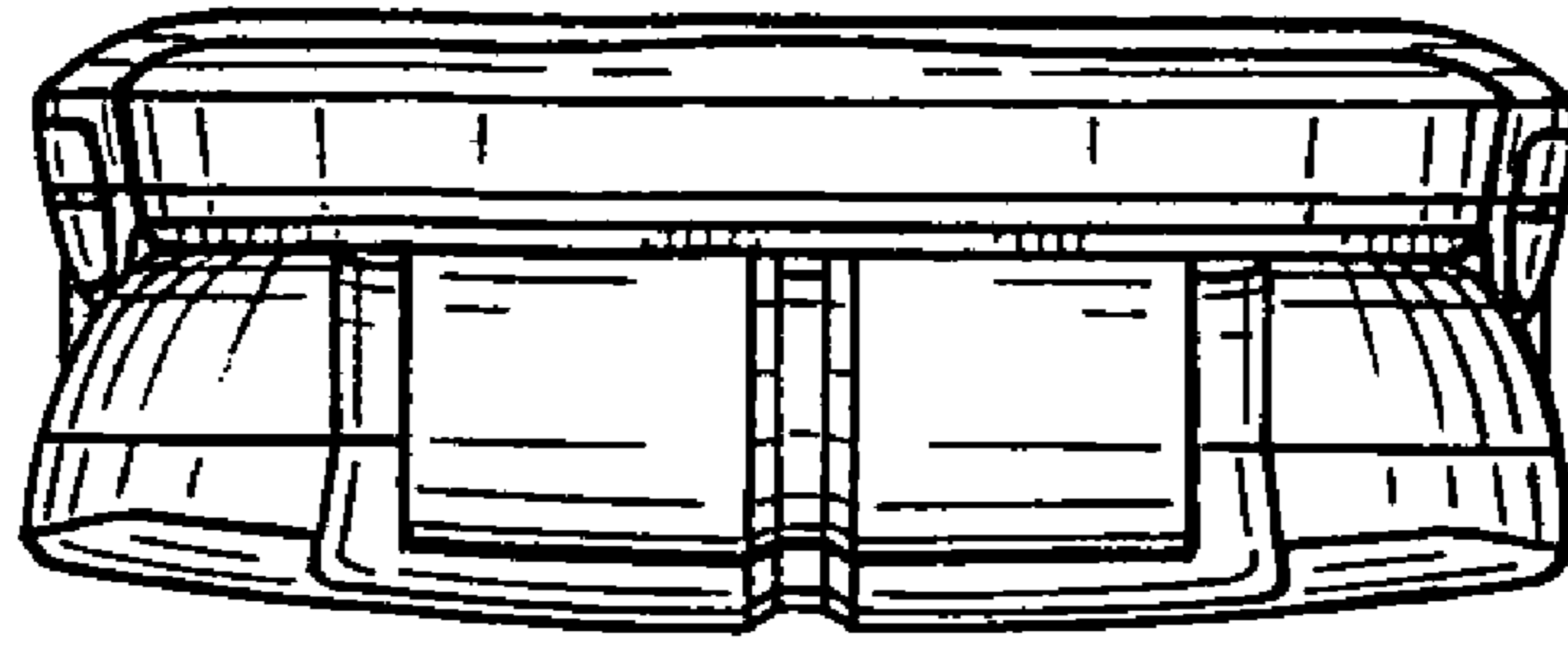




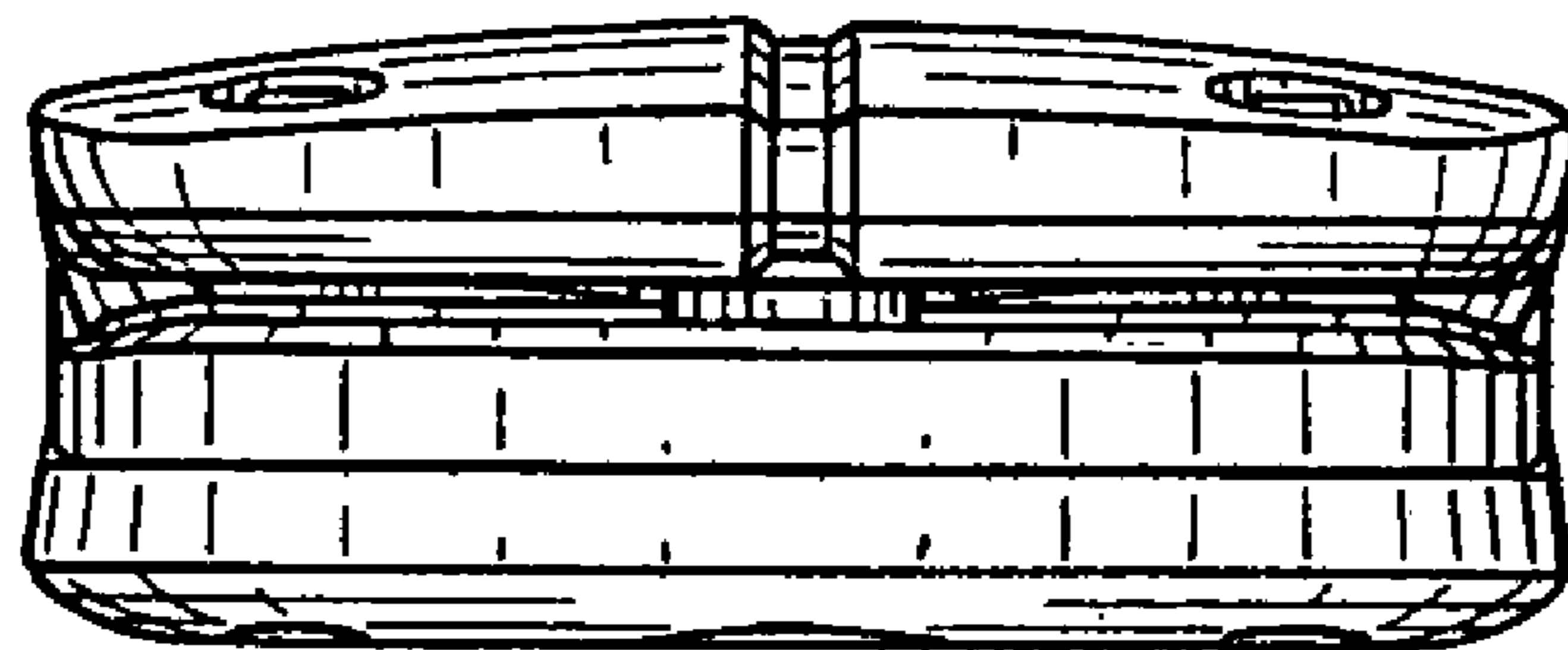
*Fig. 1*



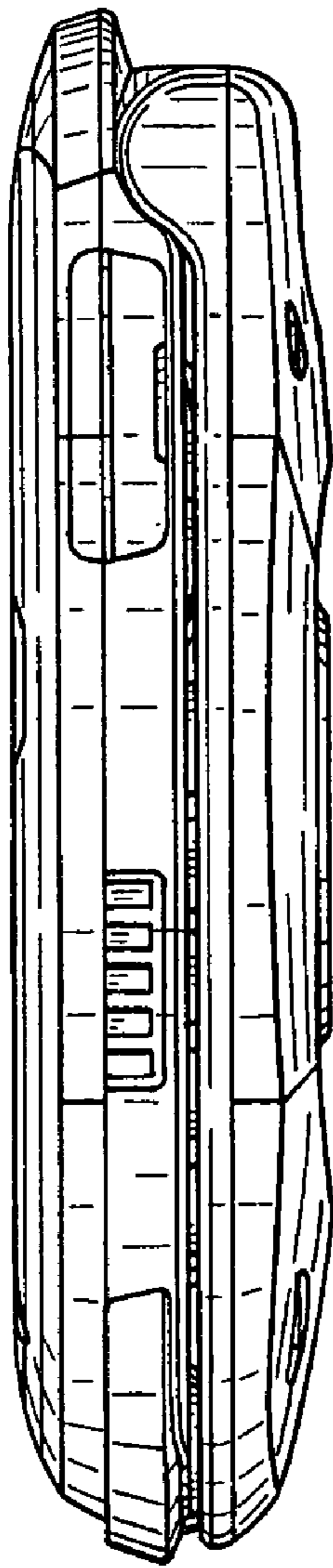
*Fig. 2*



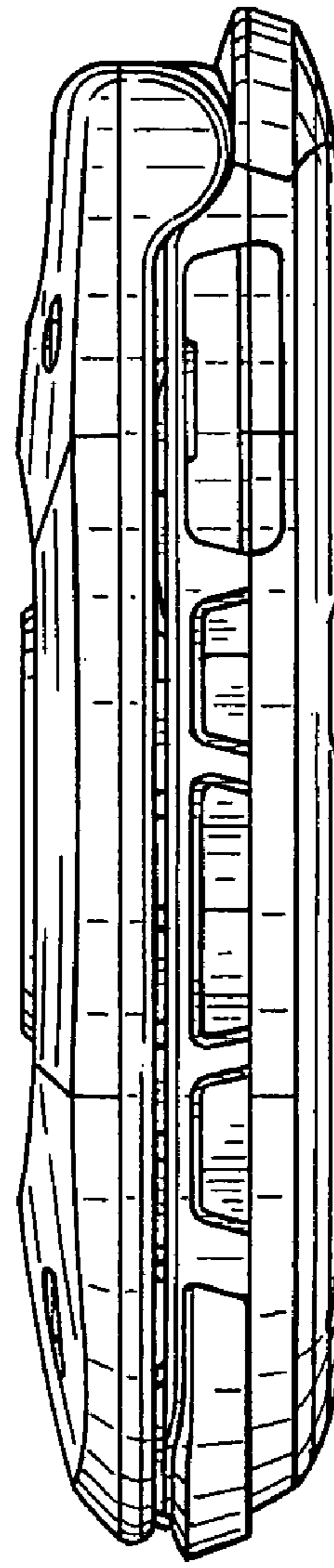
*Fig. 3*



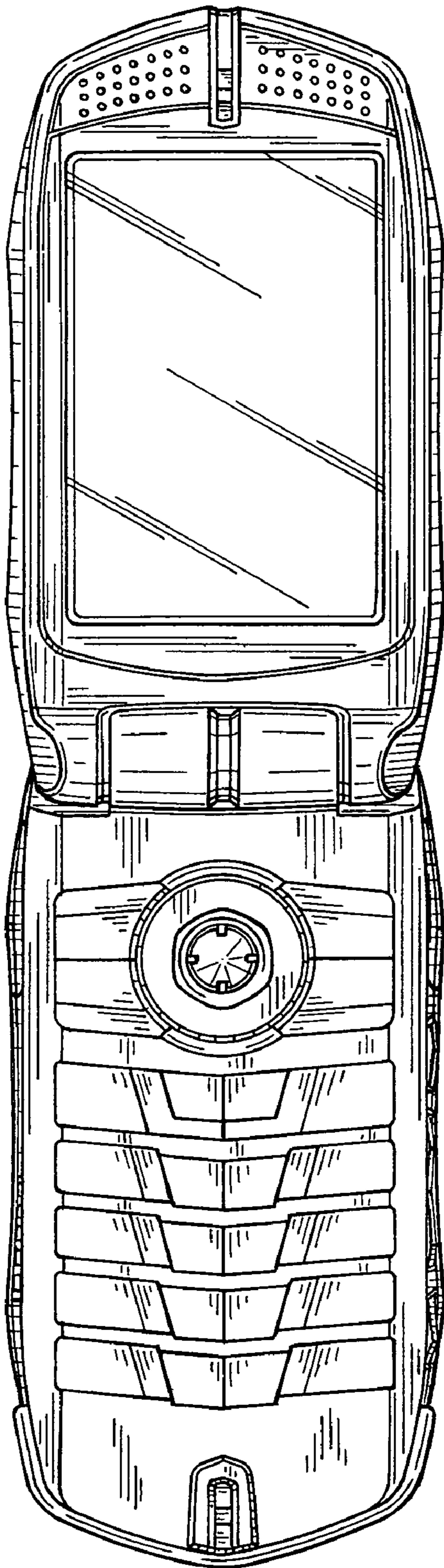
*Fig. 4*



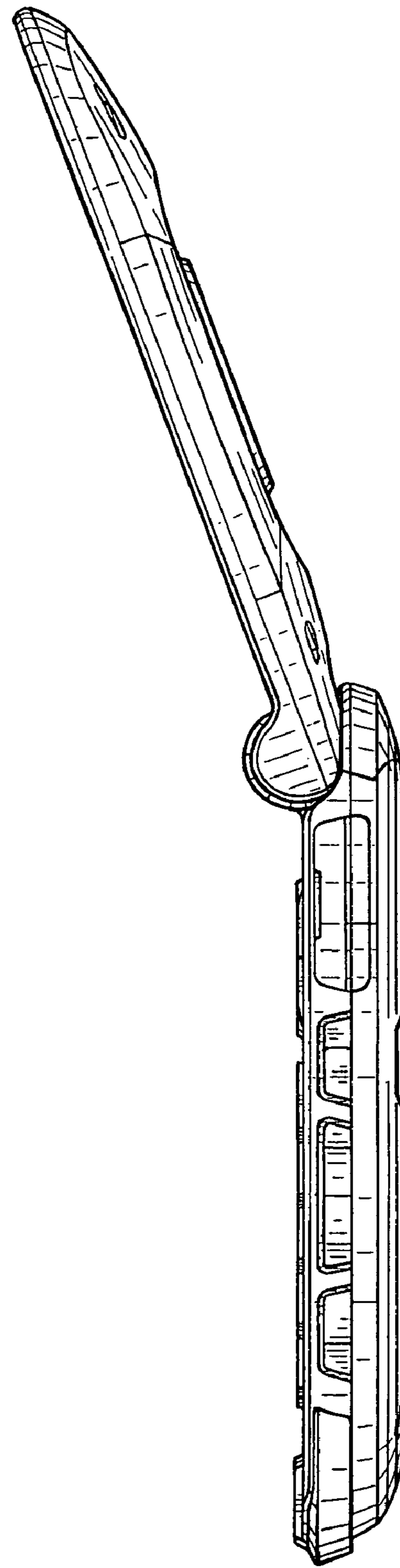
*Fig. 5*



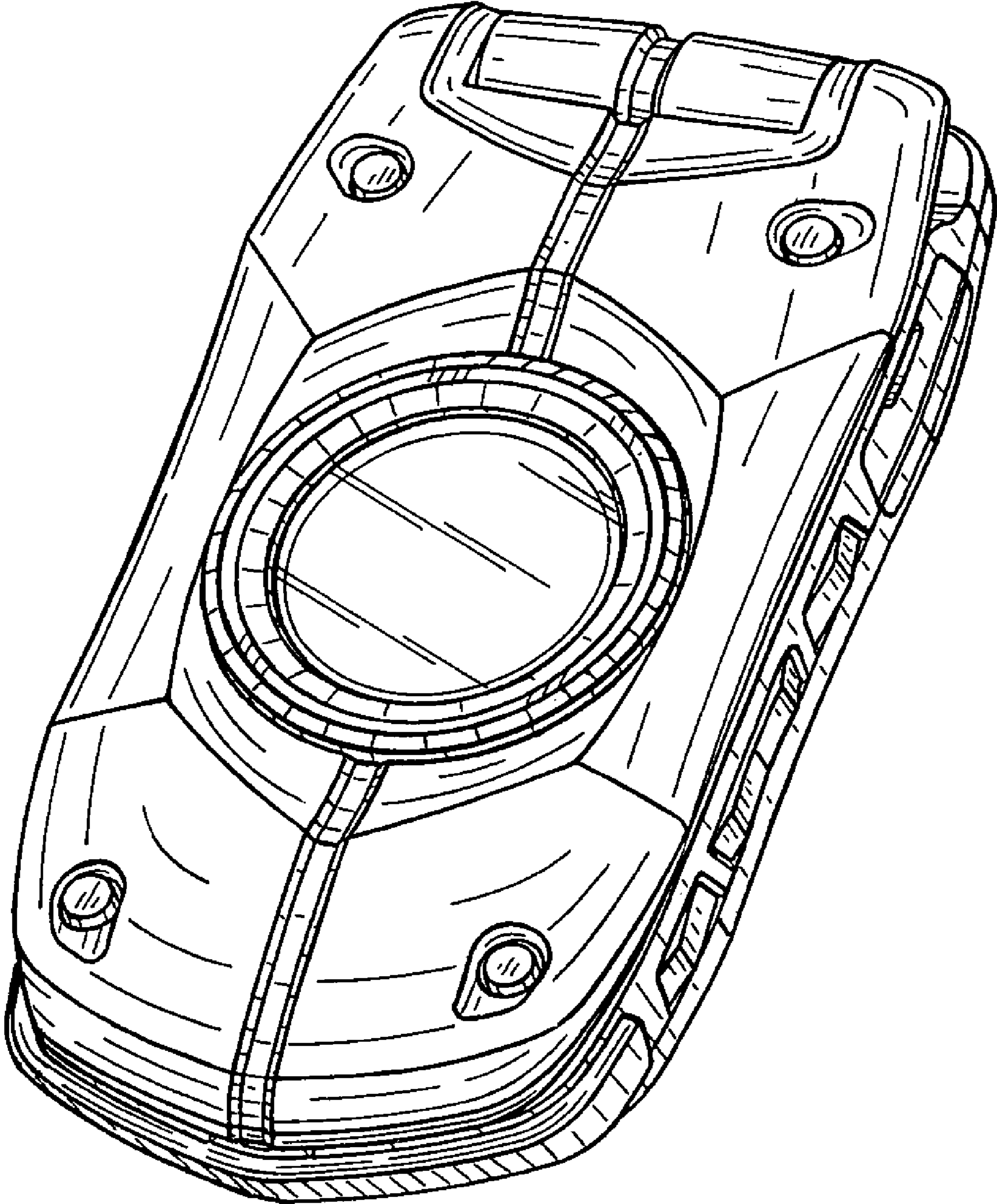
*Fig. 6*



*Fig. 7*



*Fig. 8*



*Fig. 9*