



US00D589478S

(12) **United States Design Patent**  
**Wang**

(10) **Patent No.:** **US D589,478 S**  
(45) **Date of Patent:** **\*\* Mar. 31, 2009**

(54) **FLAT PANEL TELEVISION**

(75) Inventor: **Wei-Jun Wang**, Shenzhen (CN)

(73) Assignee: **Hon Hai Precision Industry Co., Ltd.**,  
Tu-Cheng, Taipei Hsien (TW)

(\*\*) Term: **14 Years**

(21) Appl. No.: **29/321,672**

(22) Filed: **Jul. 21, 2008**

(30) **Foreign Application Priority Data**

Jun. 4, 2008 (CN) ..... 2008 3 0300741

(51) **LOC (9) Cl.** ..... **14-03**

(52) **U.S. Cl.** ..... **D14/126**

(58) **Field of Classification Search** ..... D14/125-134,  
D14/239, 371, 136, 374-377, 440, 450, 448,  
D14/336, 342; 312/7.2; 348/836, 838, 180,  
348/184, 325, 739; 341/12; 248/917-924,  
248/465; 345/104, 133, 156, 168, 87, 173;  
720/605, 669, 600, 655; 369/99, 197; 455/344,  
455/347; D21/329, 515, 577, 622, 333, 433,  
D21/448, 452, 450, 331; D6/447, 479; 273/148 B;  
446/484, 175, 356; D10/15, 26

See application file for complete search history.

(56) **References Cited**

**U.S. PATENT DOCUMENTS**

D424,538 S \* 5/2000 Hayashi et al. .... D14/374

D529,882 S \* 10/2006 Hoehn et al. .... D14/126

D540,759 S \* 4/2007 Macey et al. .... D16/134

D545,777 S \* 7/2007 Kim ..... D14/126

D572,675 S \* 7/2008 Qiu et al. .... D14/126

\* cited by examiner

*Primary Examiner*—Raphael Barkai

(74) *Attorney, Agent, or Firm*—Zhigang Ma

(57) **CLAIM**

The ornamental design for a flat panel television, as shown and described.

**DESCRIPTION**

FIG. 1 is a perspective view of a flat panel television showing my new design;

FIG. 2 is a front elevational view thereof;

FIG. 3 is a rear elevational view thereof;

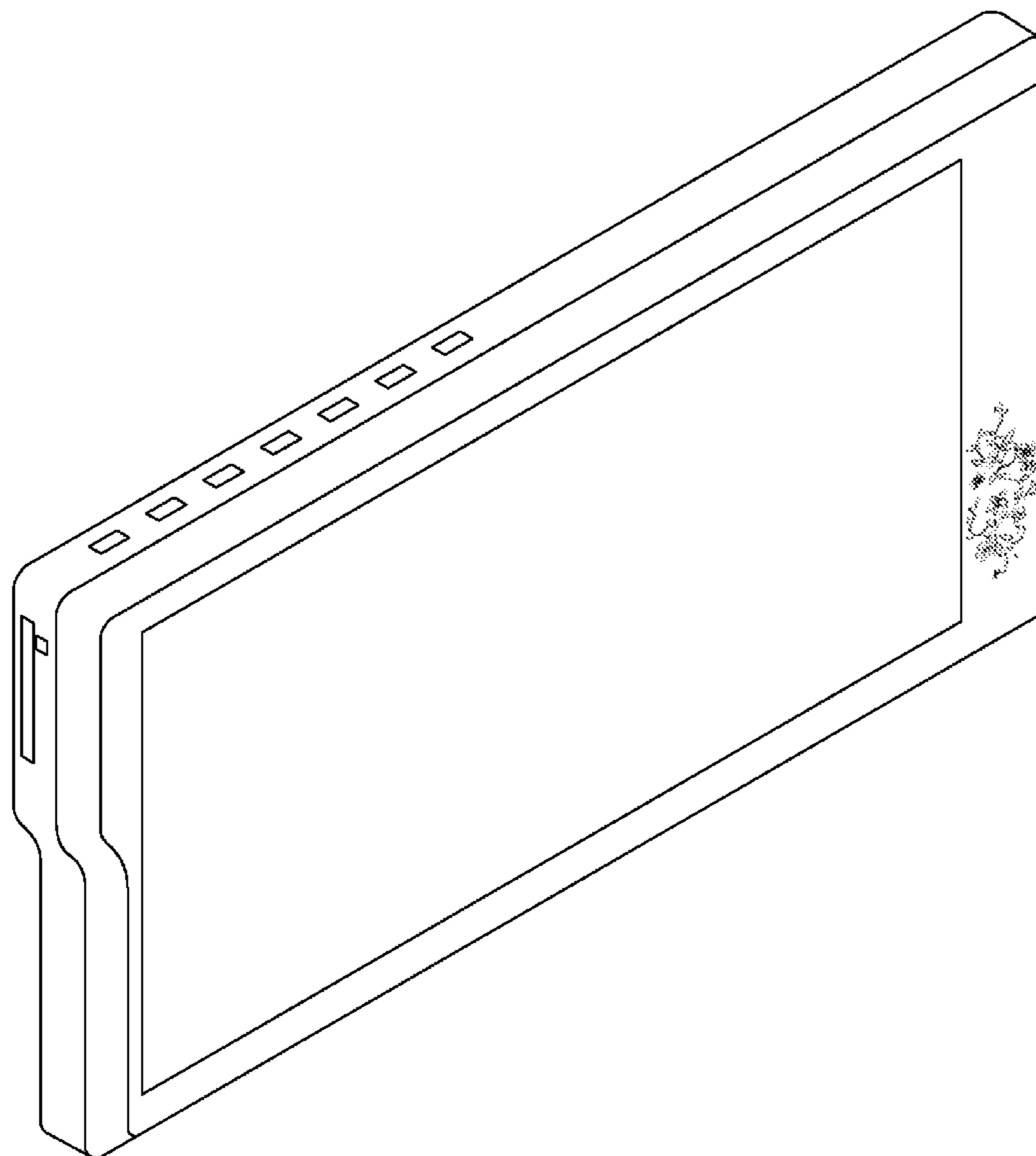
FIG. 4 is a left side elevational view thereof;

FIG. 5 is a right side elevational view thereof;

FIG. 6 is a top plan view thereof; and,

FIG. 7 is a bottom plan view thereof.

**1 Claim, 7 Drawing Sheets**



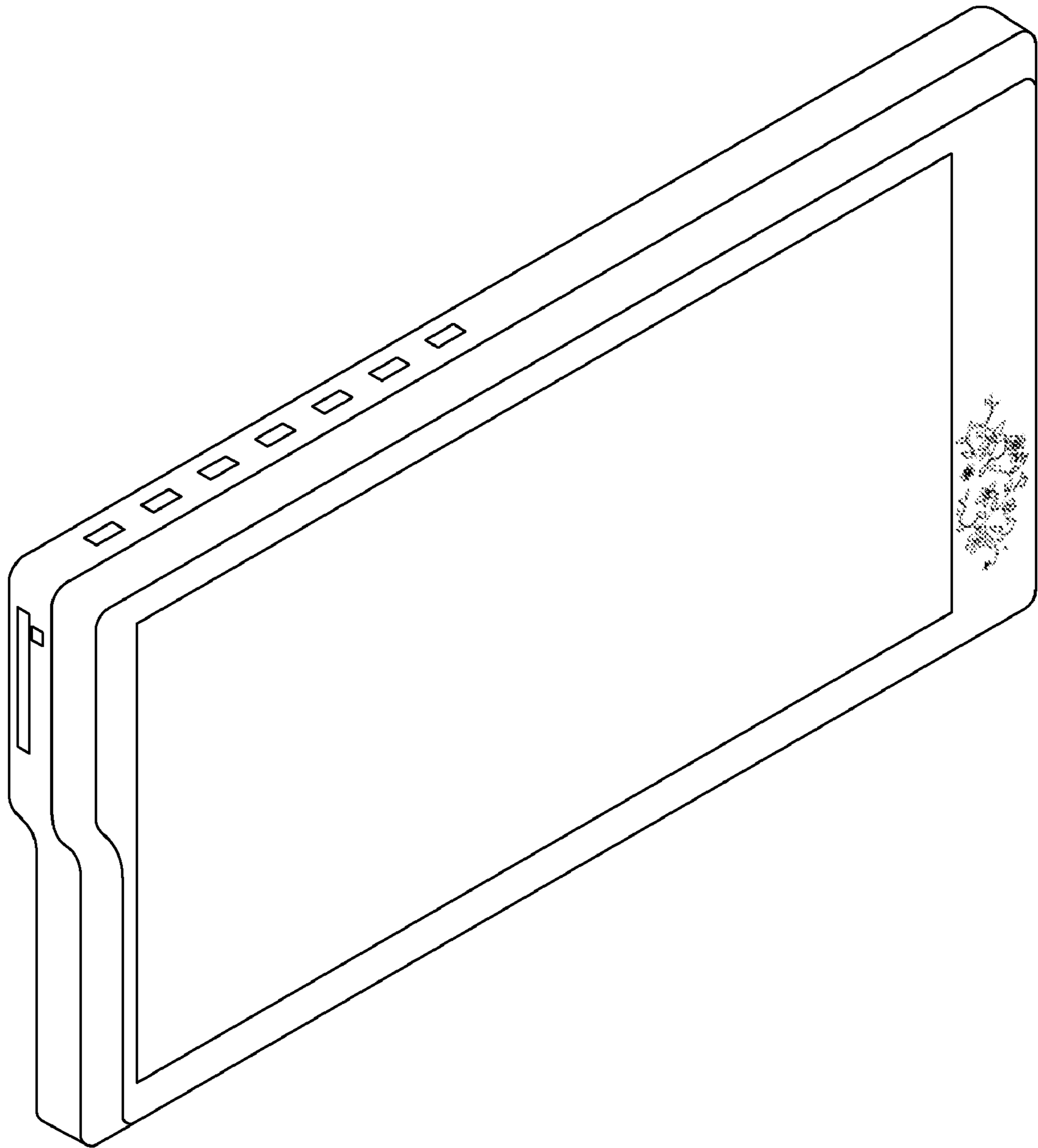


FIG. 1

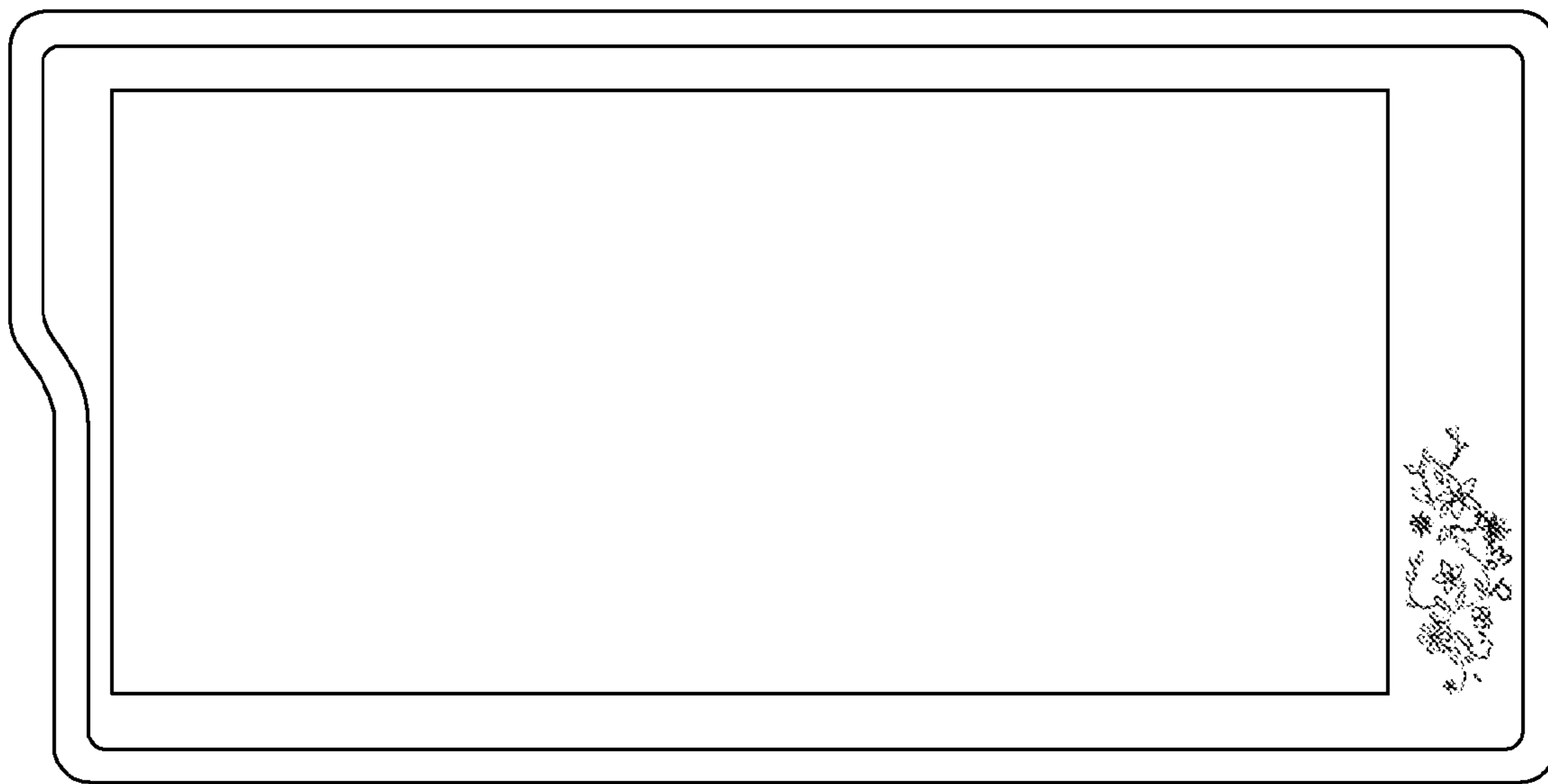


FIG. 2

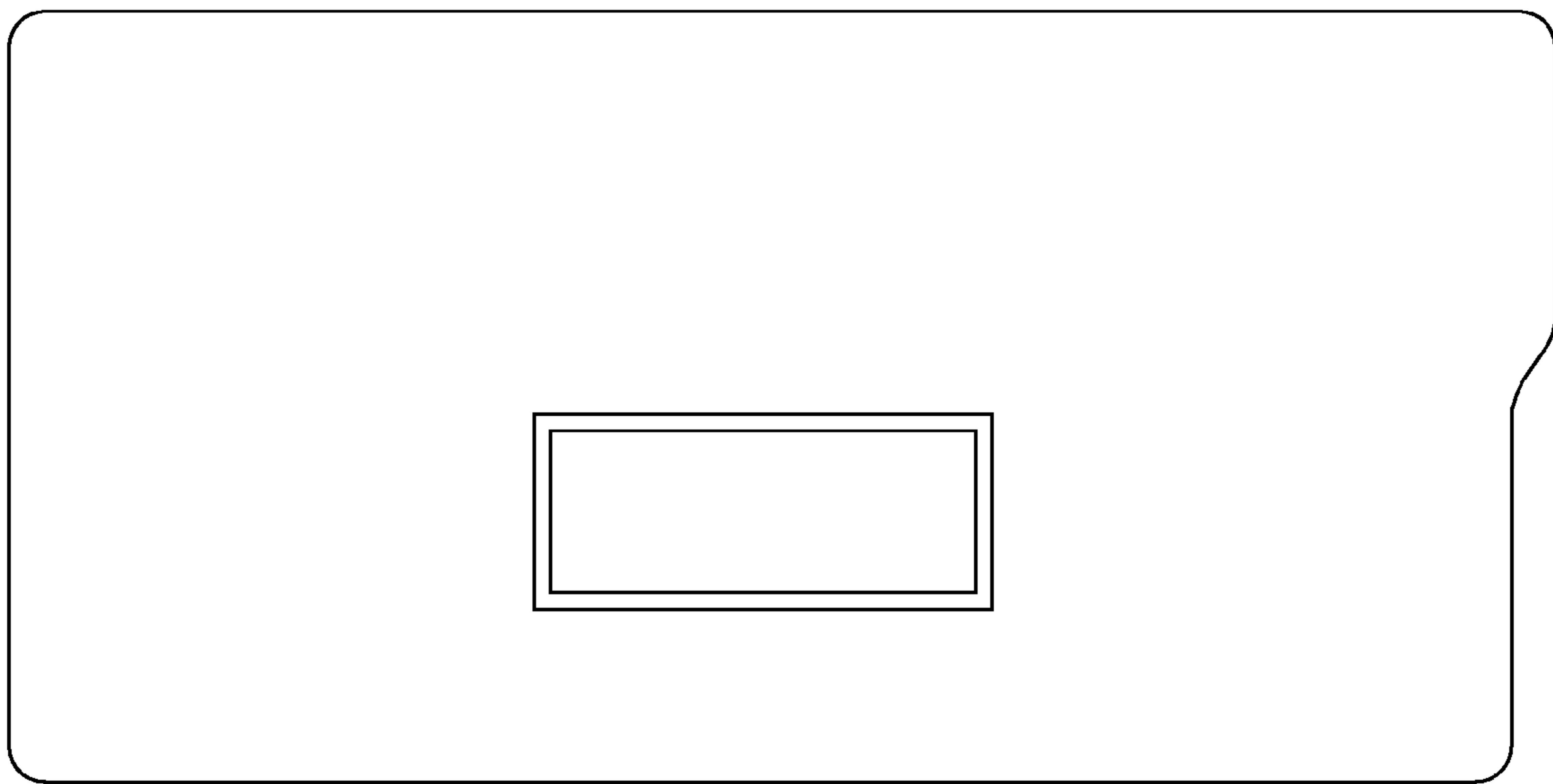


FIG. 3

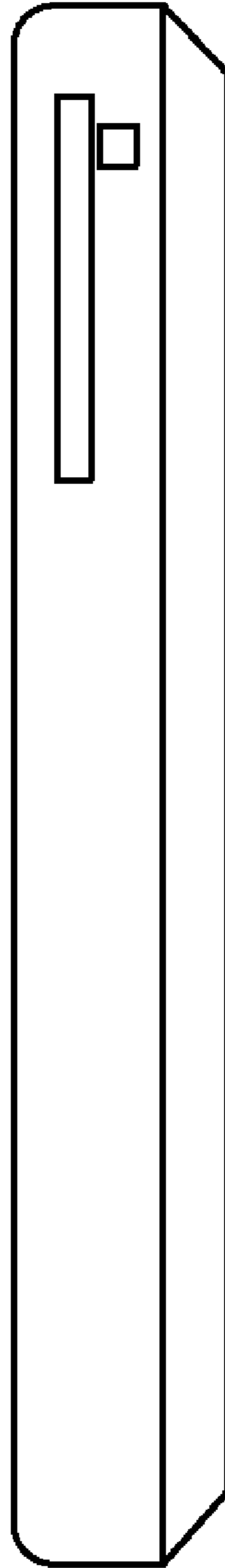


FIG. 4

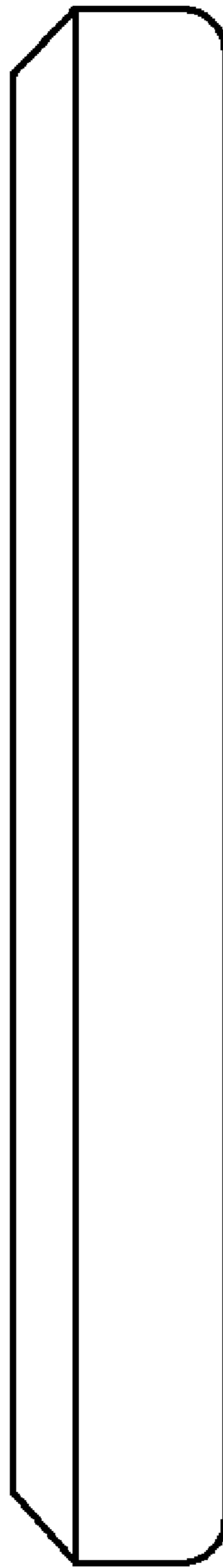


FIG. 5

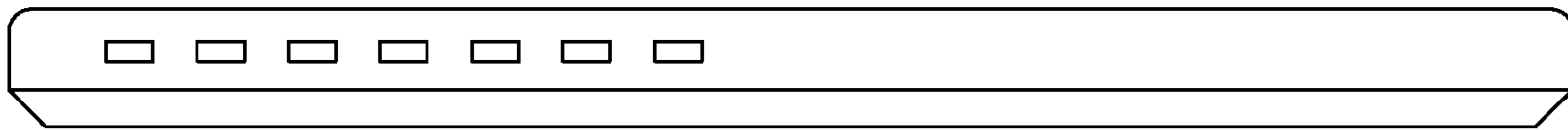


FIG. 6

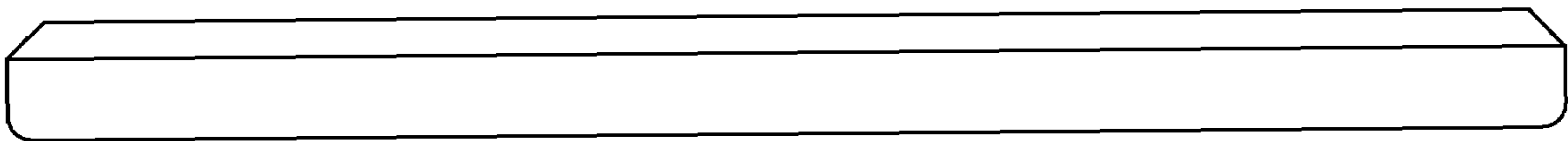


FIG. 7