



US00D589476S

(12) **United States Design Patent**
Li et al.

(10) **Patent No.:** **US D589,476 S**
(45) **Date of Patent:** **** Mar. 31, 2009**

(54) **DIGITAL PHOTO DISPLAY**

(75) Inventors: **Zhi-Qiang Li**, Shenzhen (CN);
Han-Chang Chen, Miao-Li (TW)

(73) Assignees: **Innocom Technology (Shenzhen) Co., Ltd.**, Shenzhen, Guangdong Province (CN); **Innolux Display Corp.**, Miao-Li County (TW)

(**) Term: **14 Years**

(21) Appl. No.: **29/308,962**

(22) Filed: **Jul. 16, 2008**

(30) **Foreign Application Priority Data**

Jan. 18, 2008 (TW) 97300289

(51) **LOC (9) Cl.** **14-03**

(52) **U.S. Cl.** **D14/126**

(58) **Field of Classification Search** D14/125-134,
D14/239, 371, 136, 374-377, 440, 450, 448,
D14/336, 342; 312/7.2; 348/836, 838, 180,
348/184, 325, 739; 341/12; 248/917-924,
248/465; 345/104, 133, 156, 168, 87, 173;
720/605, 669, 600, 655; 369/99, 197; 455/344,
455/347; D21/329, 515, 577, 622, 333, 433,
D21/448, 452, 450, 331; D6/477, 479; 273/148 B;
446/484, 175, 356; D10/15, 26

See application file for complete search history.

(56) **References Cited**

U.S. PATENT DOCUMENTS

5,787,627 A * 8/1998 Snoke et al. 40/791
D415,147 S * 10/1999 Adachi D14/126

6,082,033 A * 7/2000 Skinner 40/750
6,216,377 B1 * 4/2001 Painsith 40/750
D521,956 S * 5/2006 Backs D14/126
D524,767 S * 7/2006 Imboden et al. D14/126
D533,154 S * 12/2006 Nakata D14/126
D545,777 S * 7/2007 Kim D14/126
D545,784 S * 7/2007 Dayan D14/126
D551,196 S * 9/2007 Hsiung D14/129
D568,055 S * 5/2008 Fernandez D6/308
D569,817 S * 5/2008 Lee D14/126
D572,675 S * 7/2008 Qiu et al. D14/126
D576,578 S * 9/2008 Calverley D14/126
2005/0126061 A1 * 6/2005 Lin 40/735
2007/0011929 A1 * 1/2007 Cheng 40/700

* cited by examiner

Primary Examiner—Raphael Barkai

(74) *Attorney, Agent, or Firm*—Wei Te Chung

(57) **CLAIM**

The ornamental design for a digital photo display, as shown and described.

DESCRIPTION

FIG. 1 is a front, top, right side perspective view of a digital photo display showing our new design;

FIG. 2 is a front elevational view thereof;

FIG. 3 is a rear elevational view thereof;

FIG. 4 is a left side elevational view thereof;

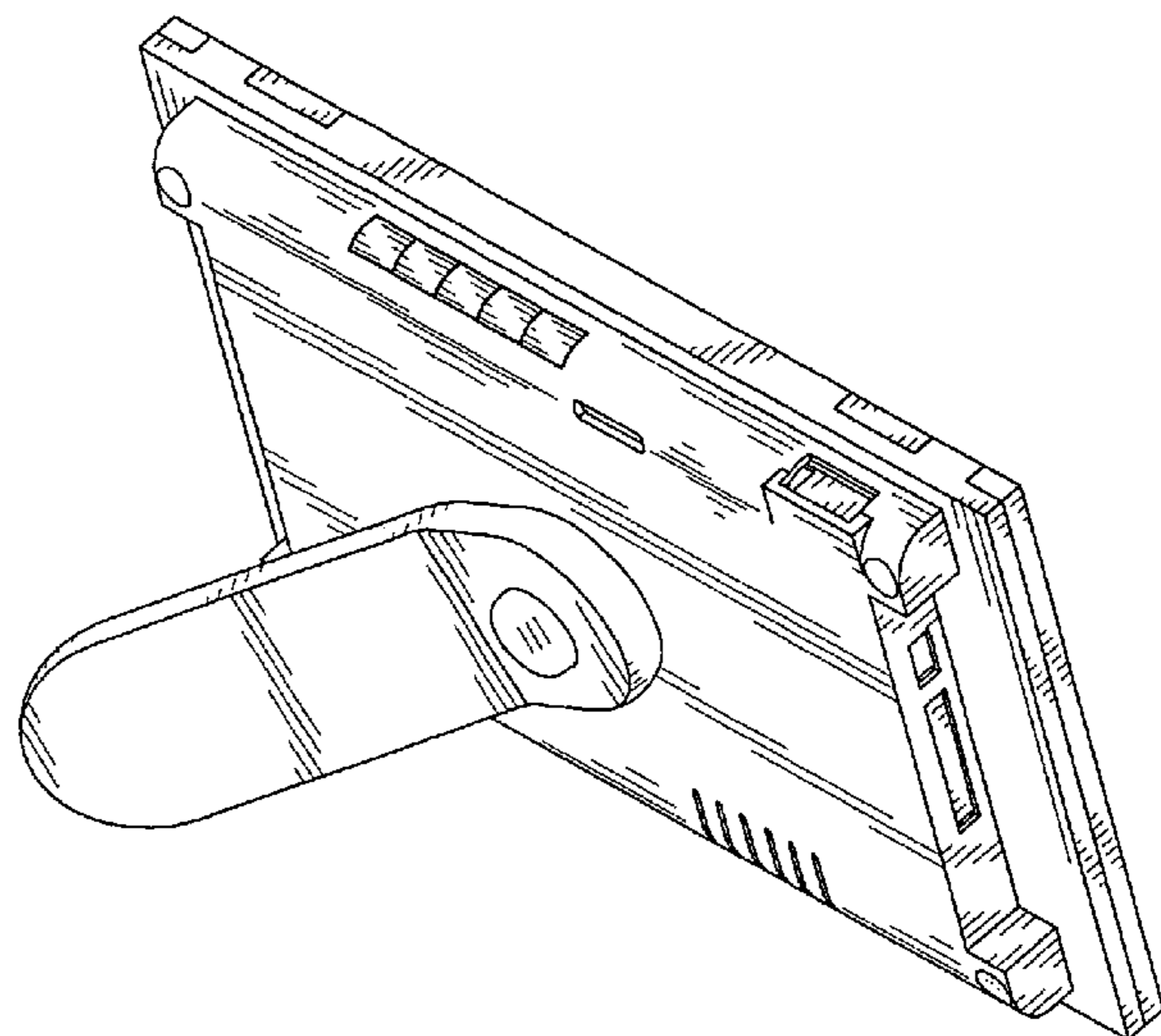
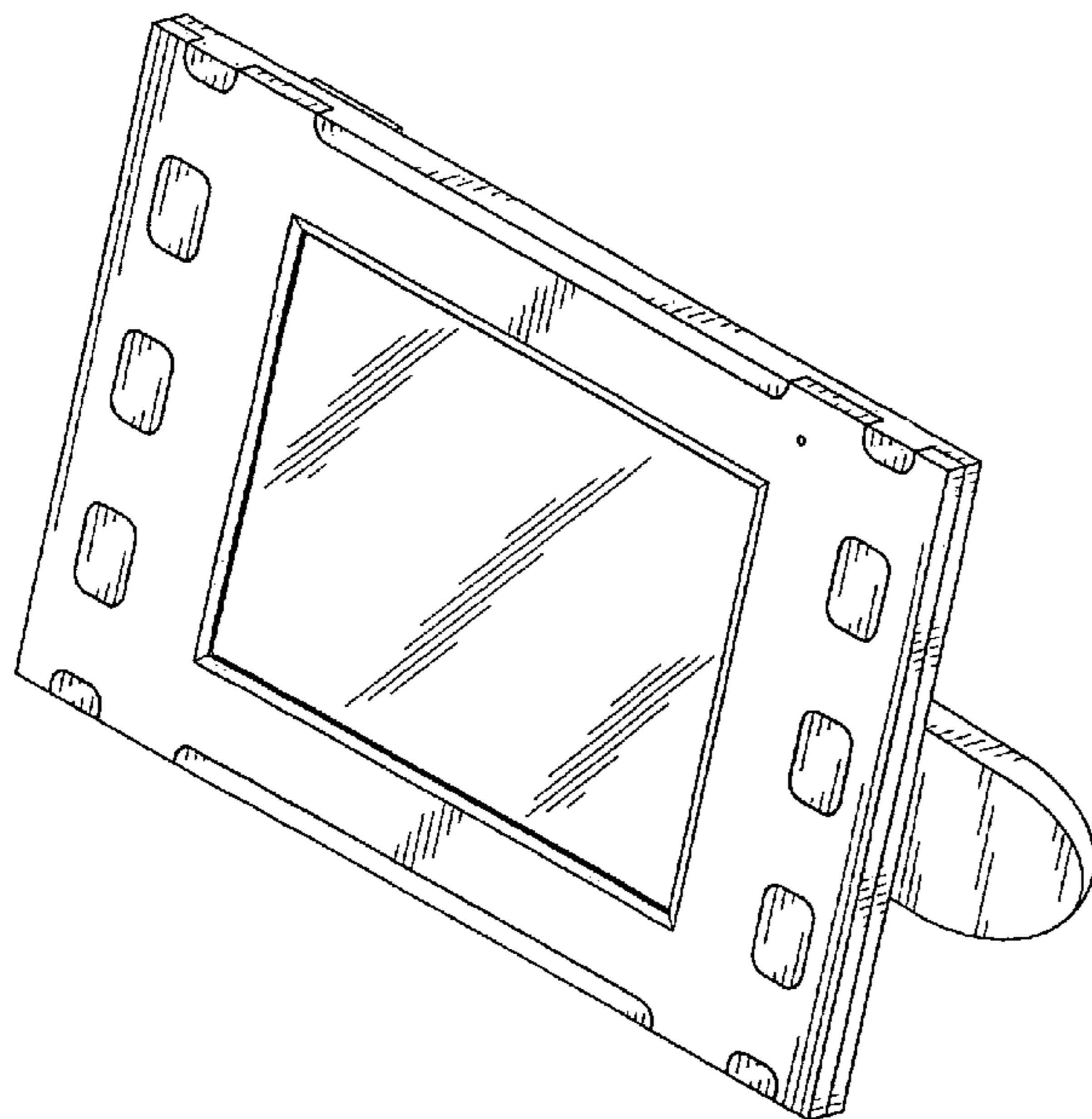
FIG. 5 is a right side elevational view thereof;

FIG. 6 is a top plan view thereof;

FIG. 7 is a bottom plan view thereof; and,

FIG. 8 is a rear, top, right side perspective view thereof.

1 Claim, 6 Drawing Sheets



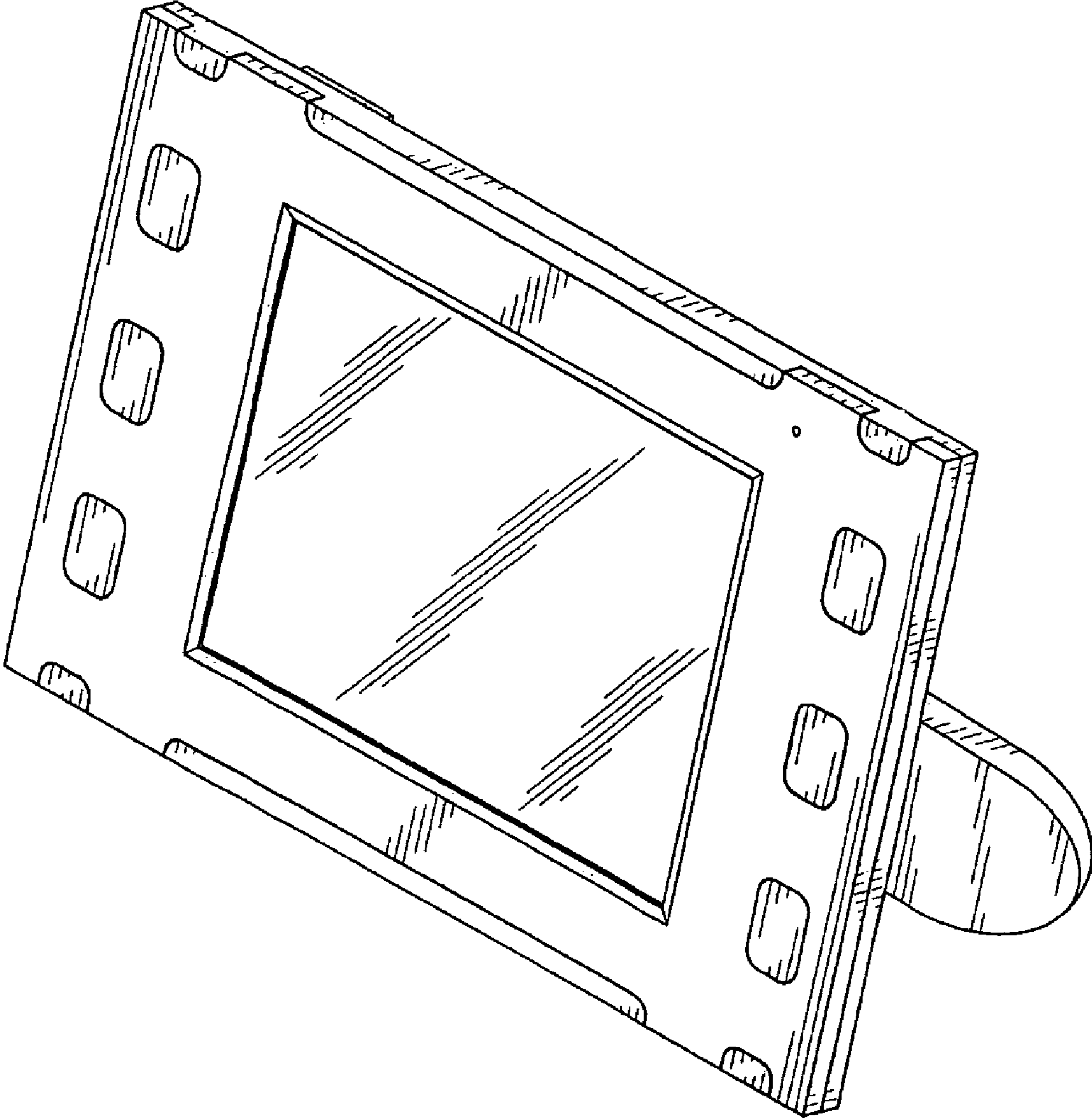


FIG. 1

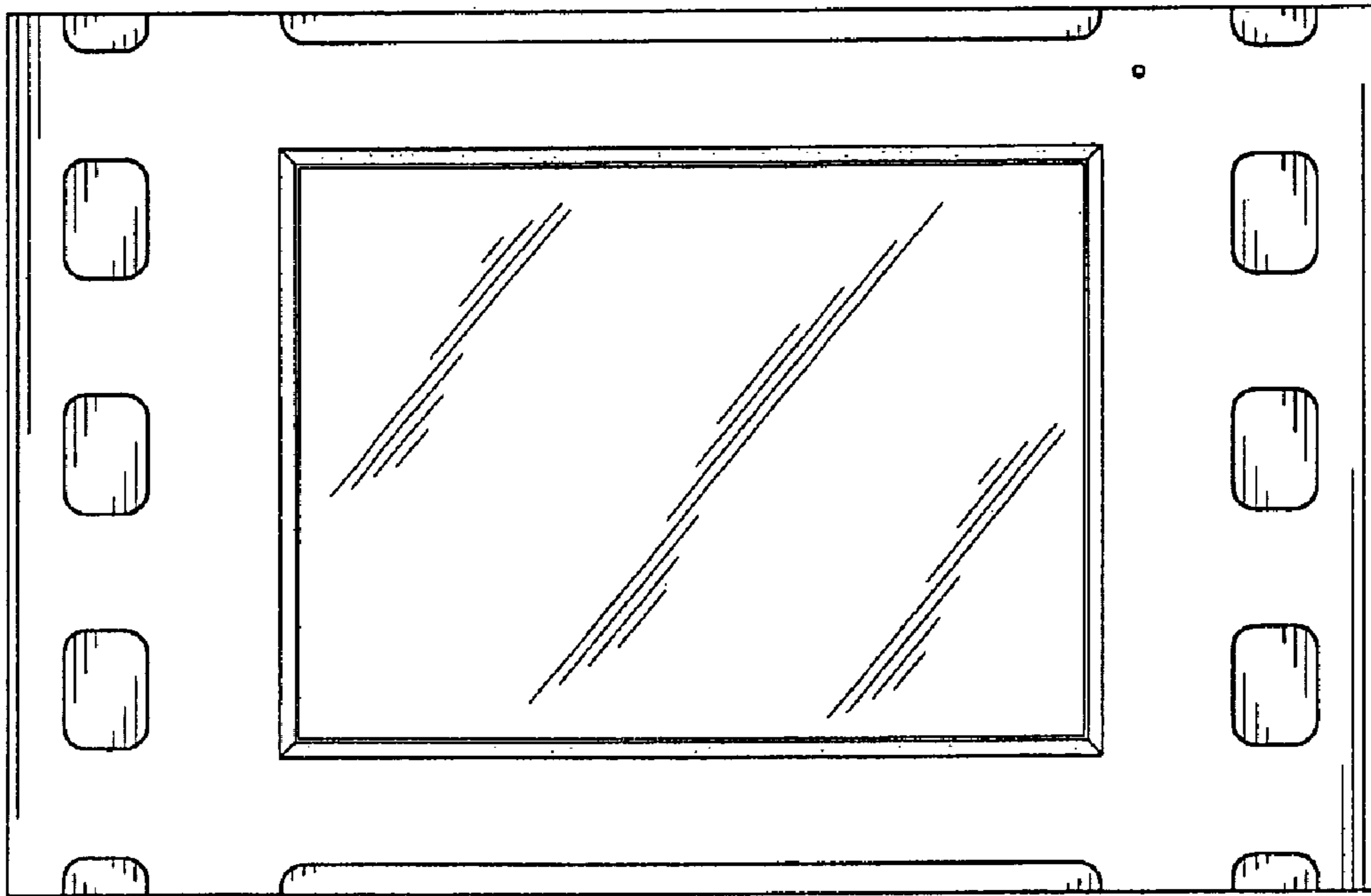


FIG. 2

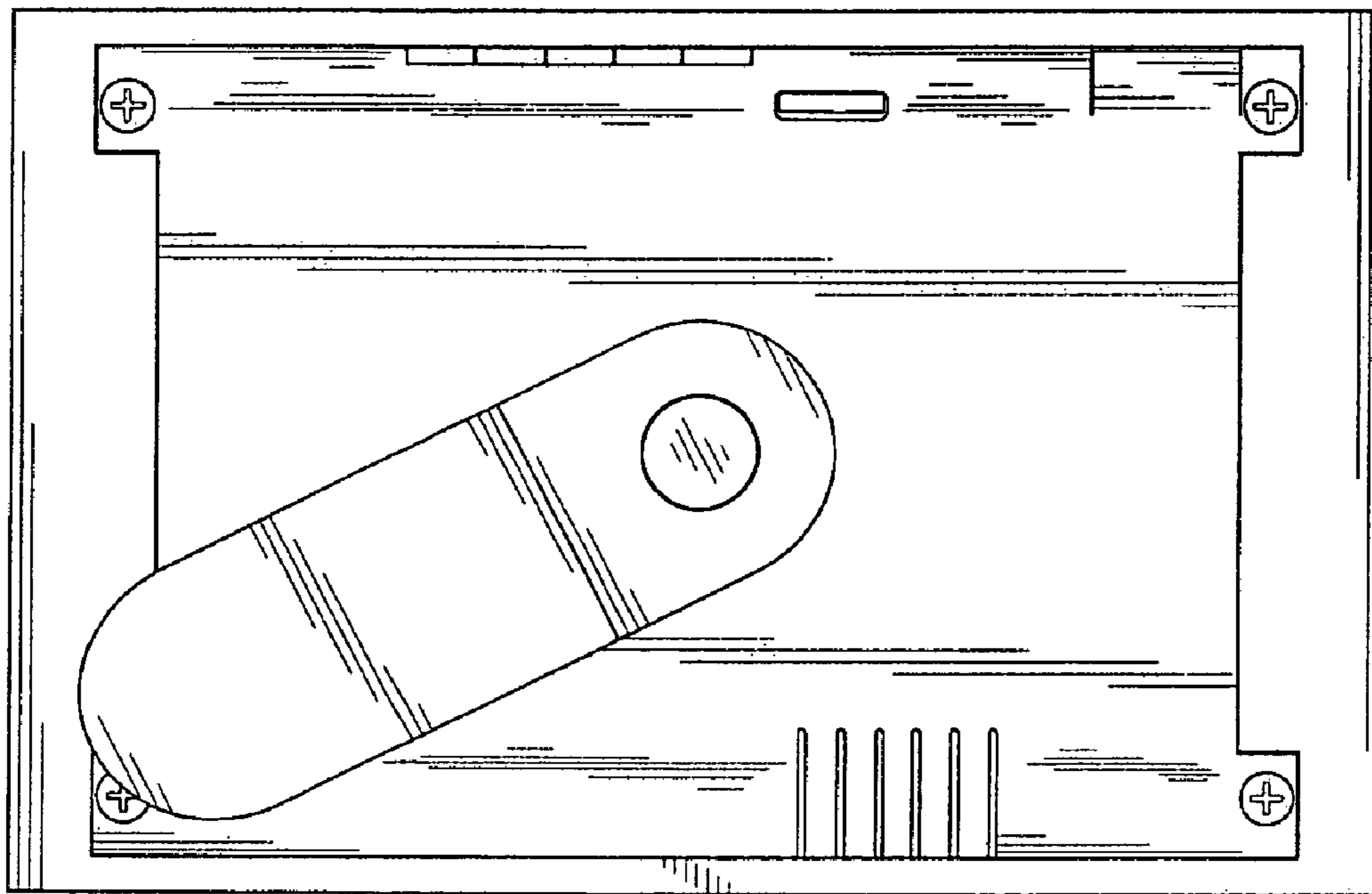


FIG. 3

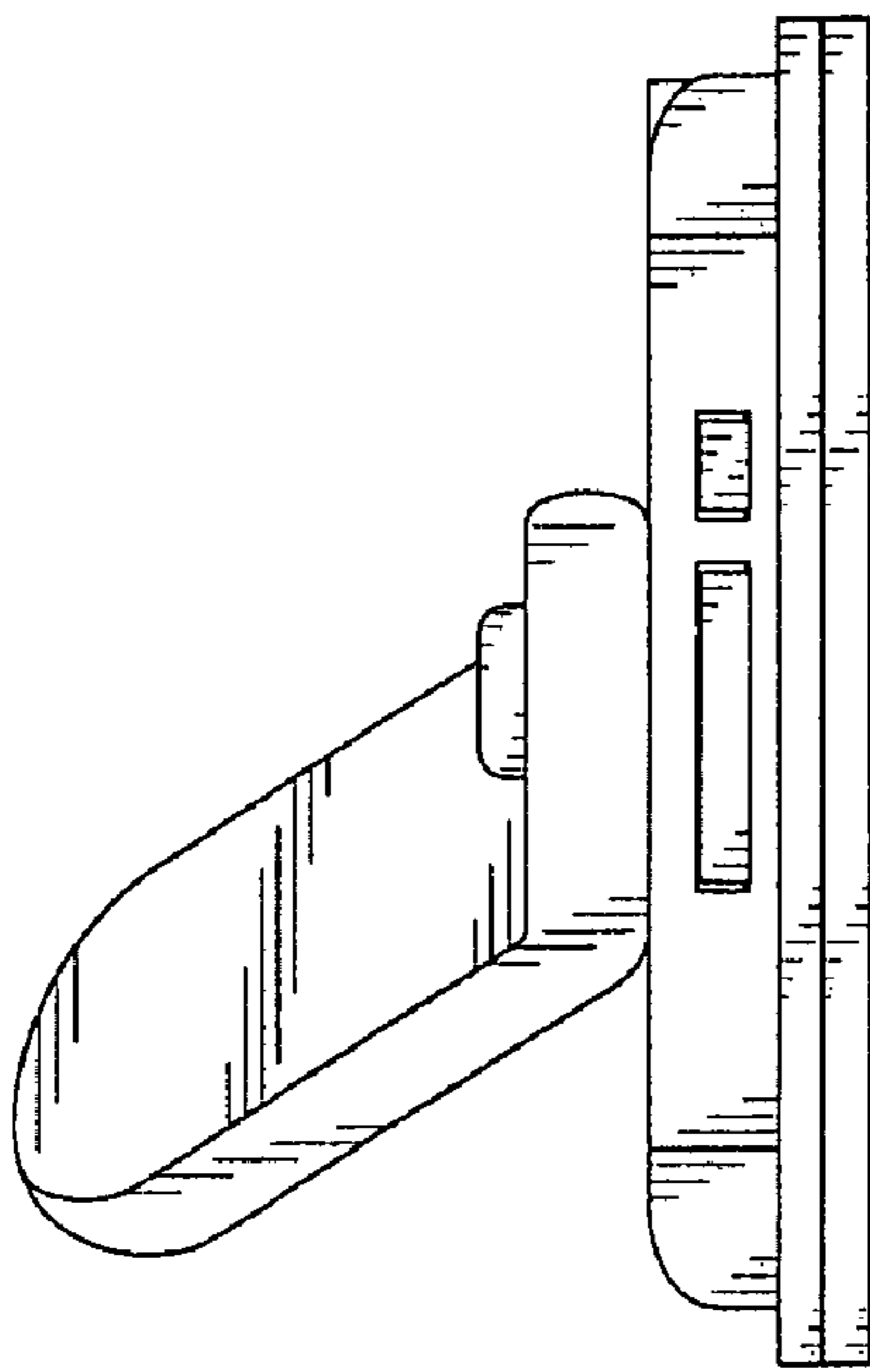


FIG. 4

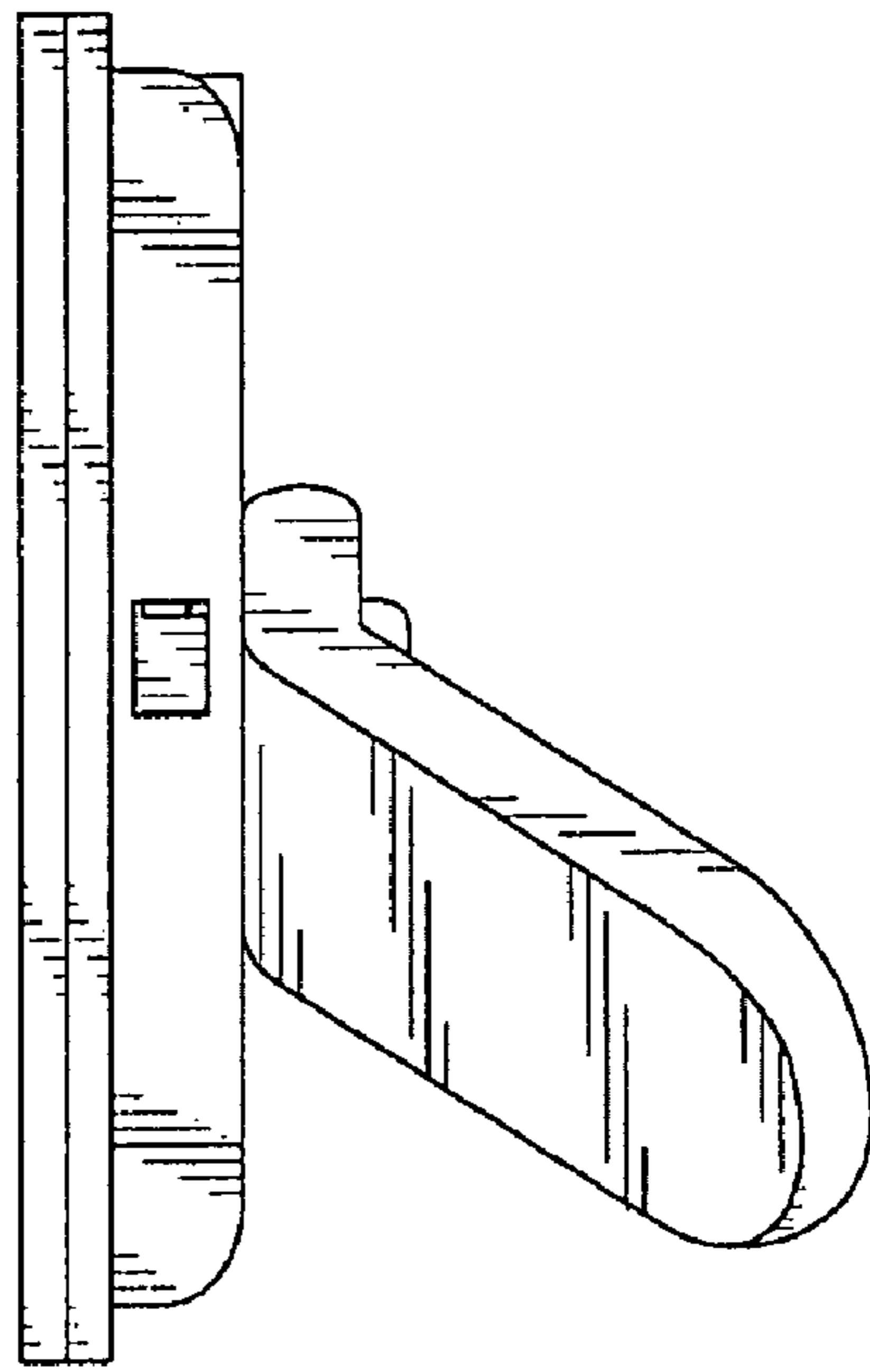


FIG. 5

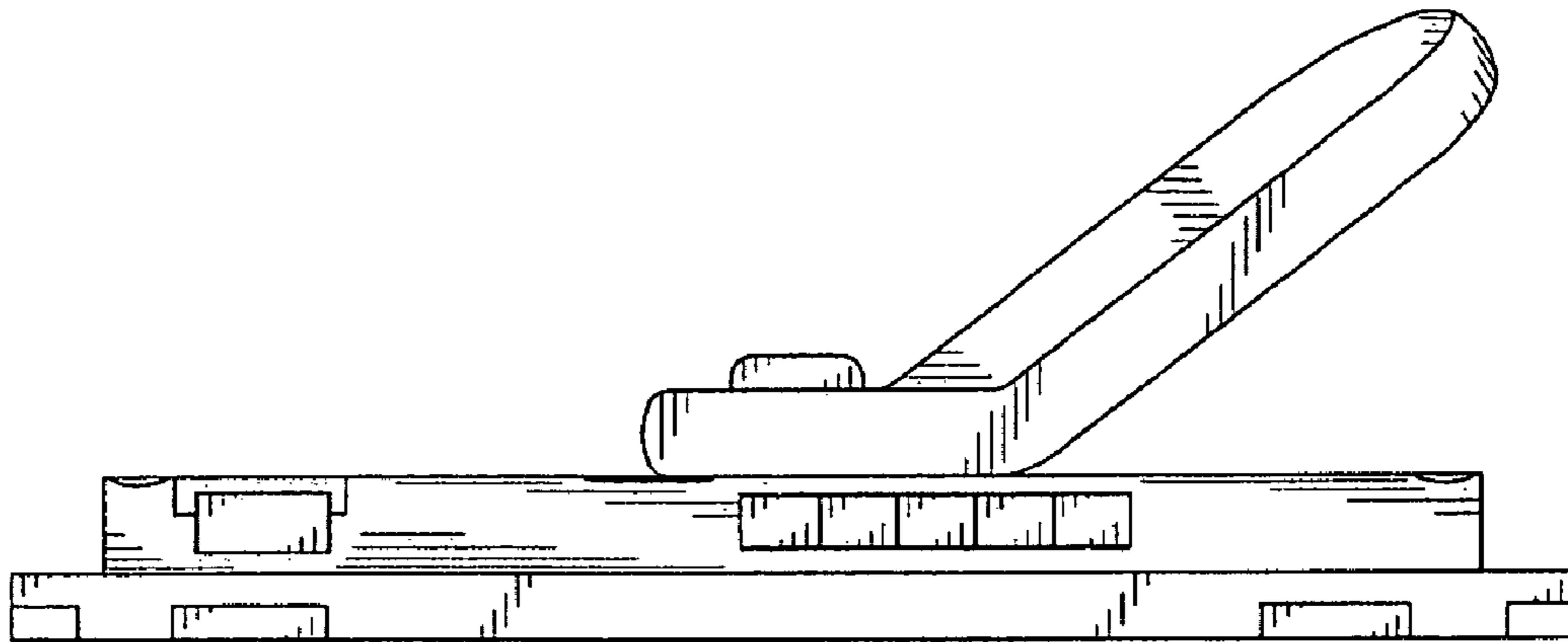


FIG. 6

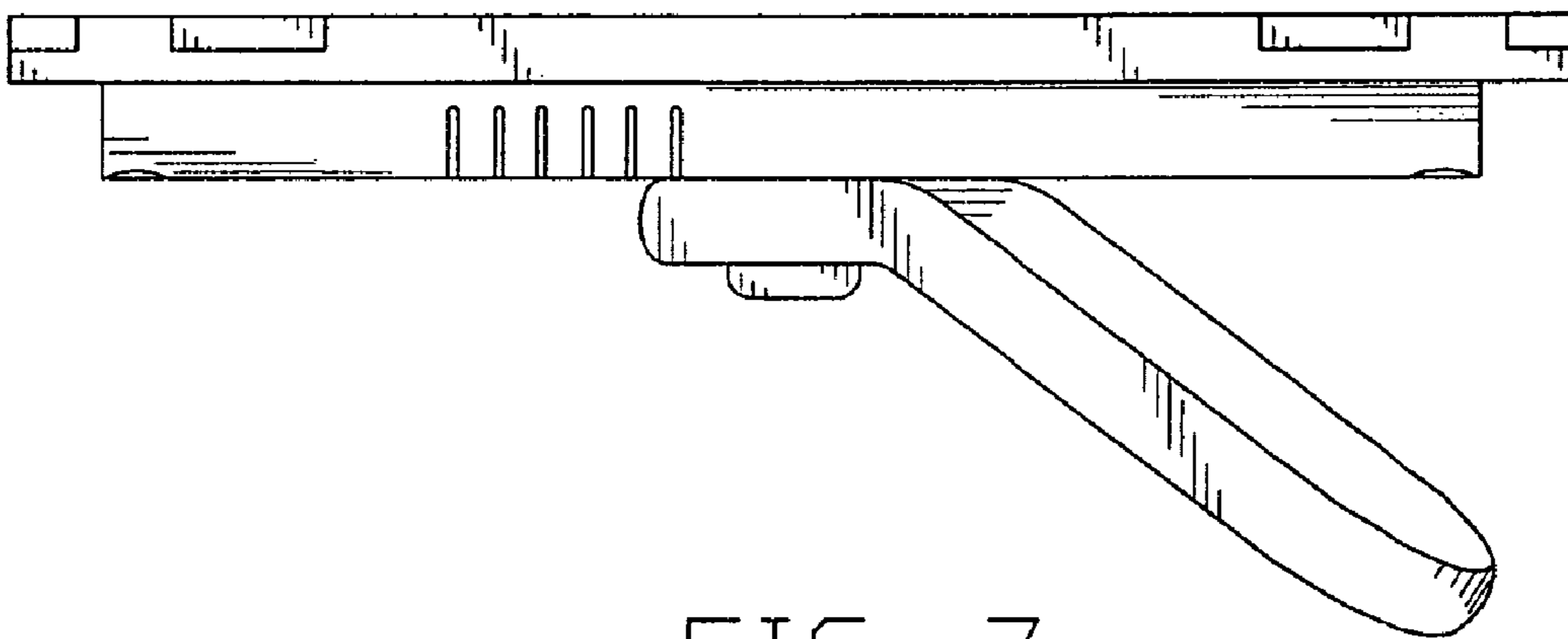


FIG. 7

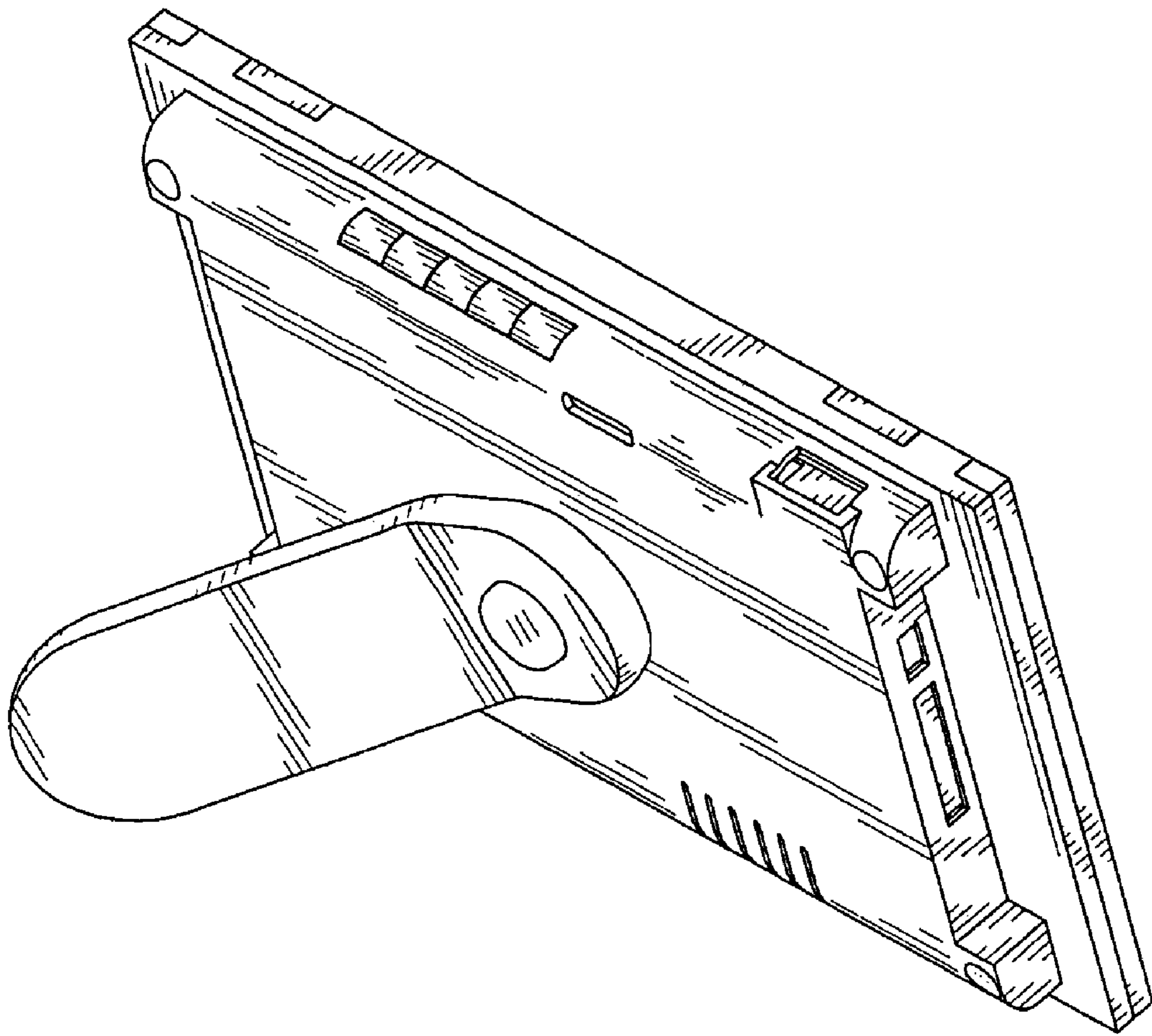


FIG. 8