



US00D589470S

(12) **United States Design Patent**
Chen

(10) **Patent No.:** **US D589,470 S**
(45) **Date of Patent:** **** Mar. 31, 2009**

(54) **LIGHT-EMITTING MODULE**

(75) Inventor: **Jen-Shyan Chen**, Hsinchu (TW)

(73) Assignee: **Neobulb Technologies, Inc.**, Bandar Seri Begawan (BN)

(**) Term: **14 Years**

(21) Appl. No.: **29/300,995**

(22) Filed: **Jun. 9, 2008**

(30) **Foreign Application Priority Data**

Feb. 1, 2008 (TW) 97300611

(51) **LOC (9) Cl.** **13-03**

(52) **U.S. Cl.** **D13/180**

(58) **Field of Classification Search** D13/180;
D26/2; 257/79, 80, 81, 88, 89, 95, 98, 99,
257/100, 676, 678; 313/483, 498, 500; 362/555,
362/800

See application file for complete search history.

(56) **References Cited**

U.S. PATENT DOCUMENTS

6,921,926 B2 * 7/2005 Hsu 257/98
D524,260 S * 7/2006 Ishizaka et al. D13/180

7,115,979 B2 * 10/2006 Park et al. 257/676
7,262,438 B2 * 8/2007 Mok et al. 257/98
D551,180 S * 9/2007 Song et al. D13/180
D570,797 S * 6/2008 Song D13/180
D572,671 S * 7/2008 Okada et al. D13/180
D573,551 S * 7/2008 Lee D13/180
D576,970 S * 9/2008 Uemoto et al. D13/180

* cited by examiner

Primary Examiner—Selina Sikder

(74) *Attorney, Agent, or Firm*—Reed Smith LLP; Juan Carlos A. Marquez, Esq.

(57) **CLAIM**

The ornamental design for a light-emitting module, as shown and described.

DESCRIPTION

FIG. 1 is a perspective view of a light-emitting module showing our design;

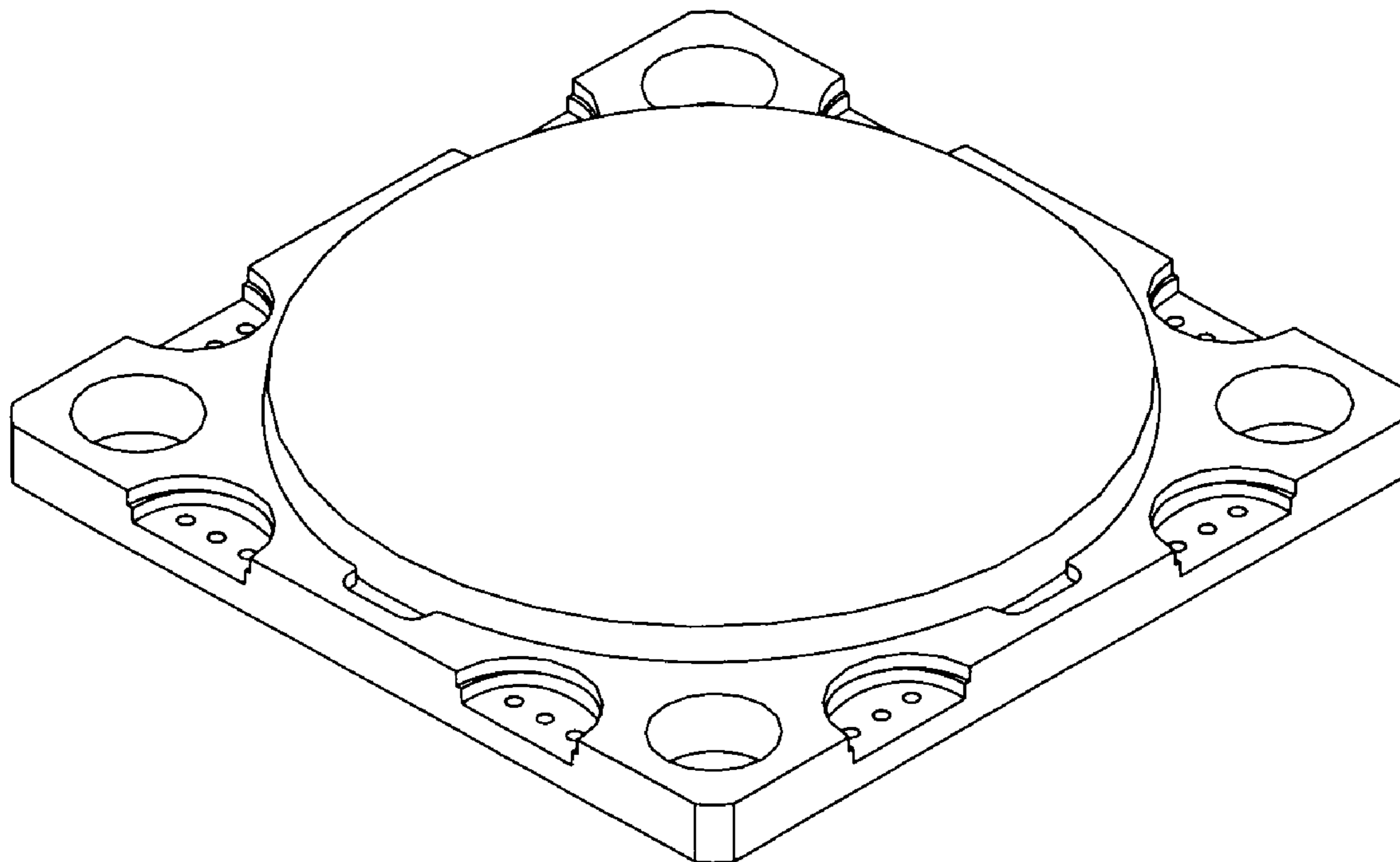
FIG. 2 is another perspective view thereof;

FIG. 3 is a top plan view thereof;

FIG. 4 is a bottom plan view thereof; and,

FIG. 5 is a front elevation view thereof, the rear, left, and right elevation views thereof each being the same as the front.

1 Claim, 3 Drawing Sheets



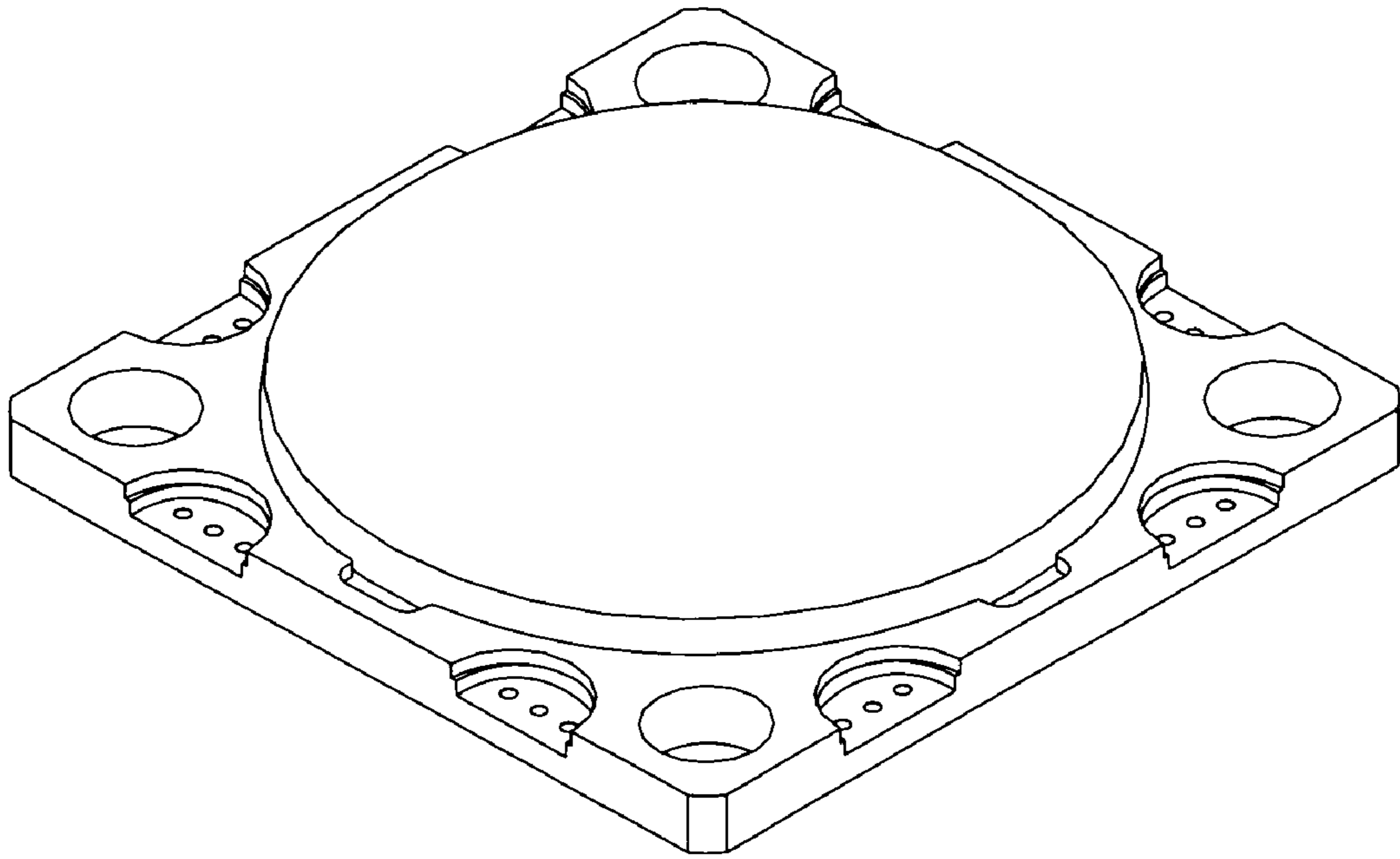


FIG. 1

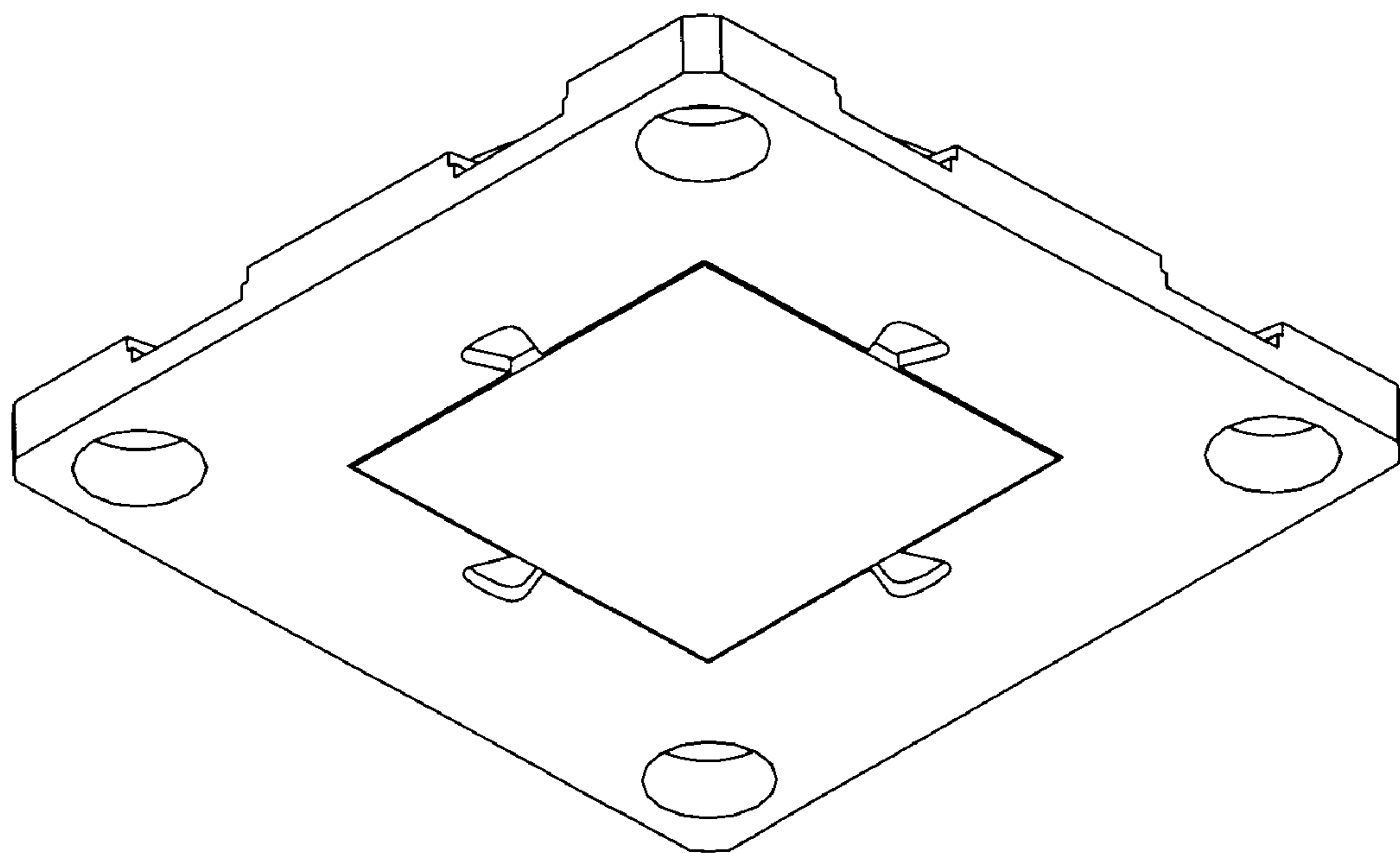


FIG. 2

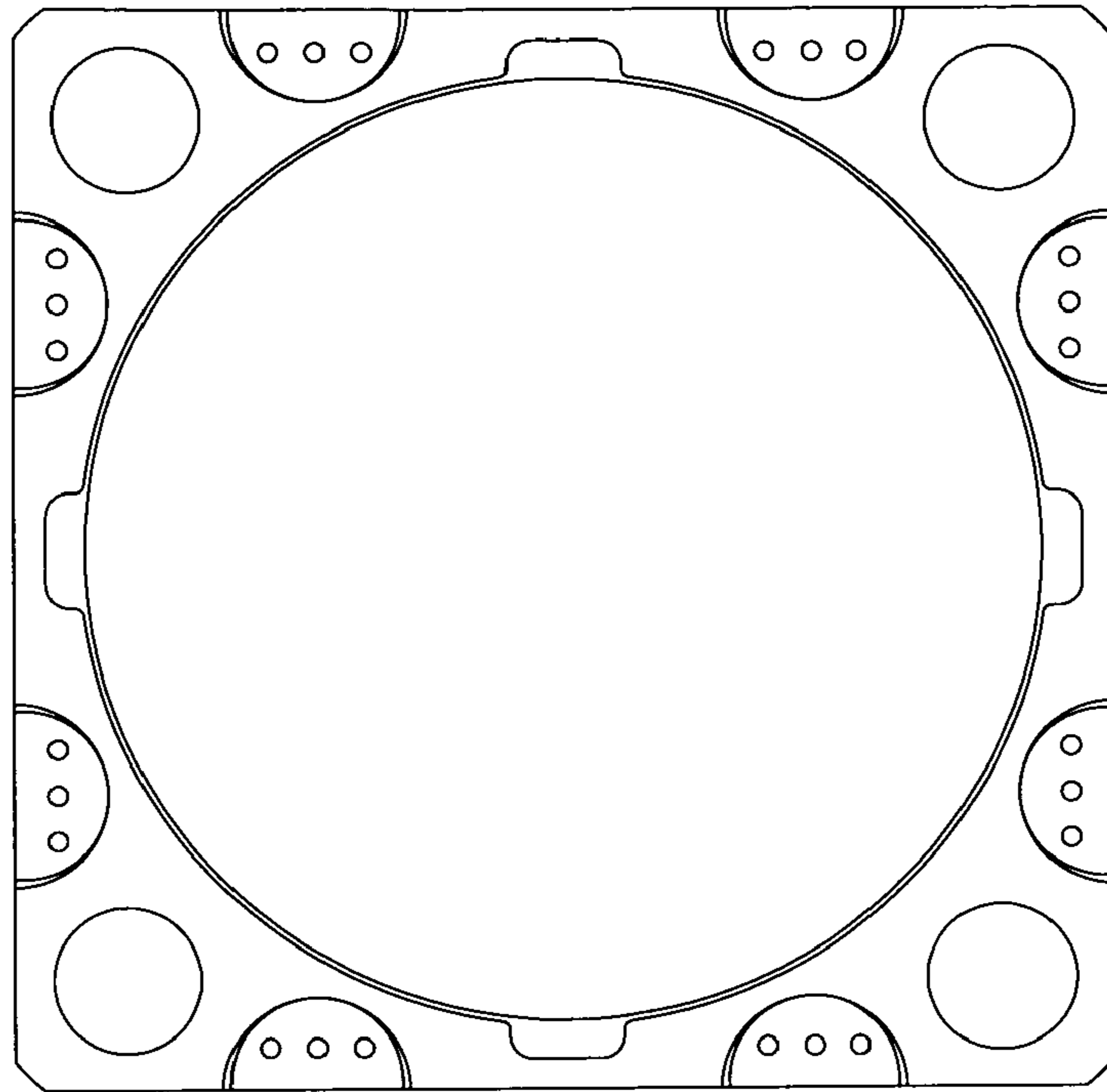


FIG. 3

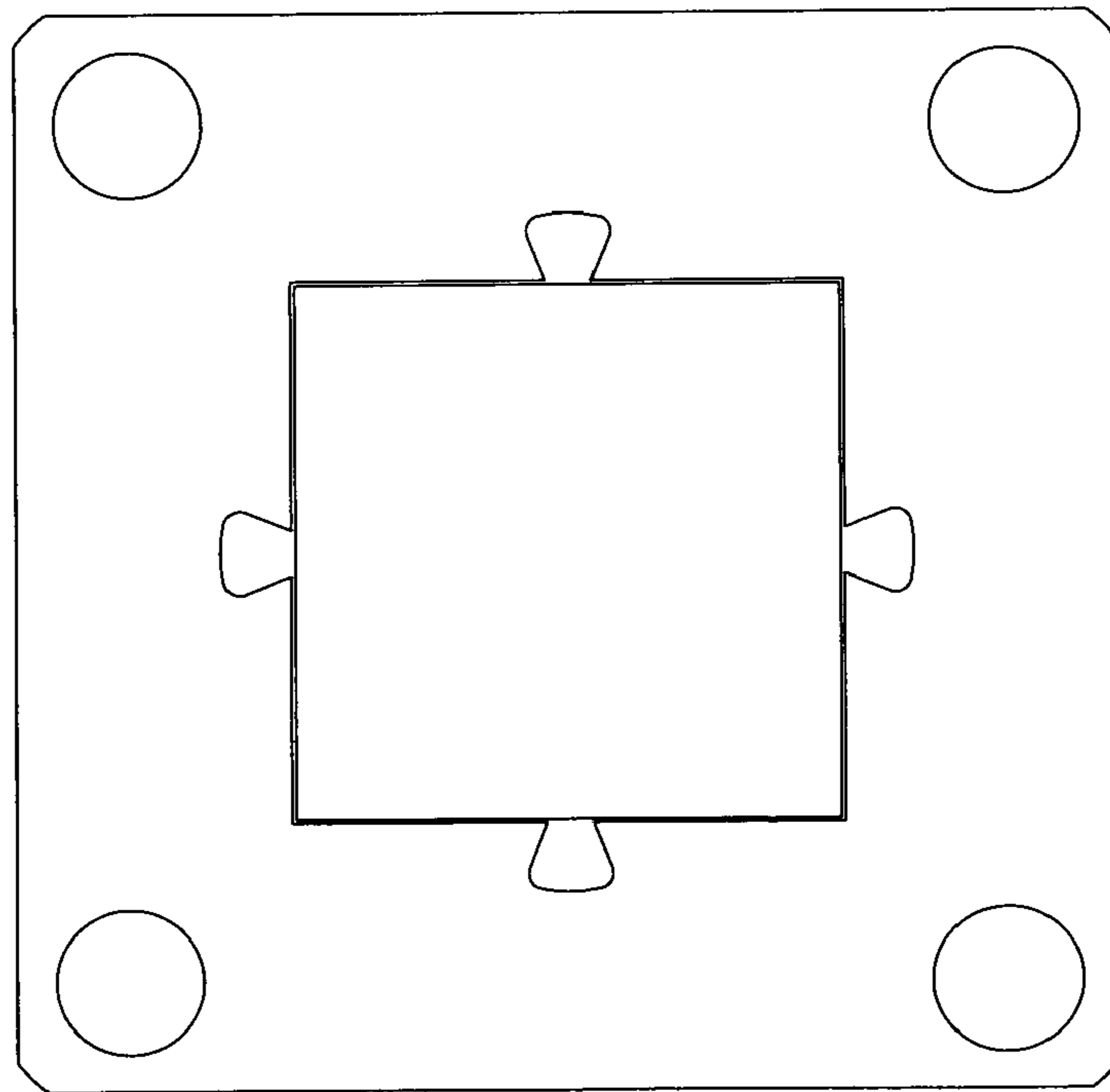


FIG. 4

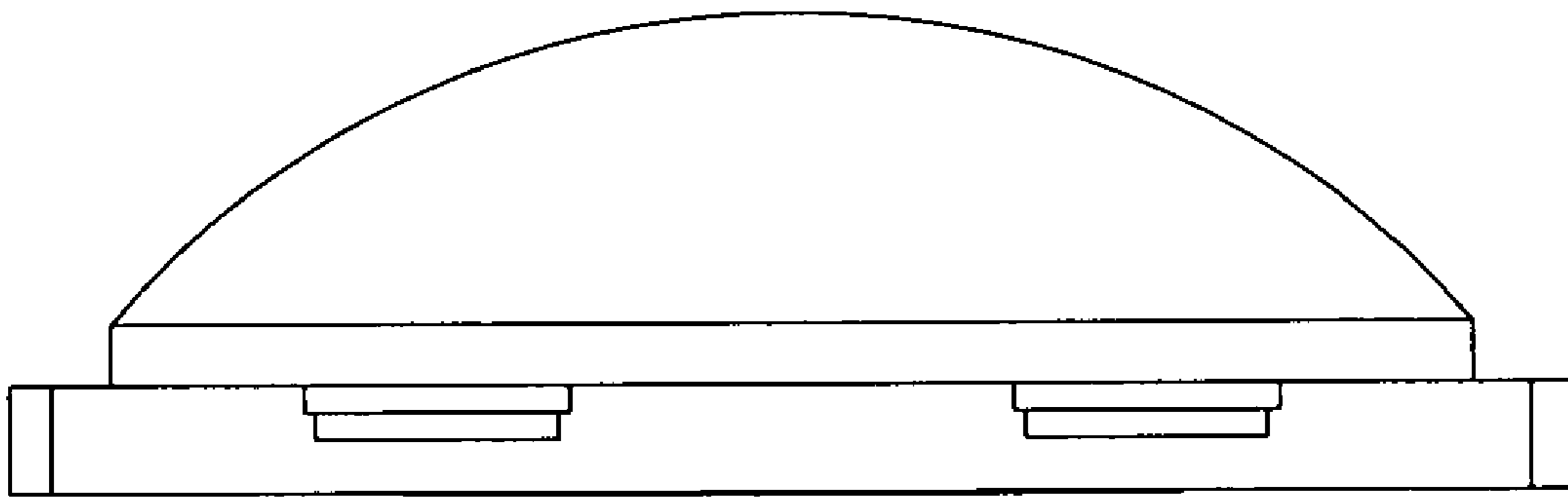


FIG. 5