



US00D589467S

(12) **United States Design Patent**
Horng et al.

(10) **Patent No.:** **US D589,467 S**
(45) **Date of Patent:** **** Mar. 31, 2009**

(54) **MINI FAN CASING**

(75) Inventors: **Alex Horng**, Ling Ya Dt. (TW);
Tso-Kuo Yin, Ling Ya Dt. (TW)

(73) Assignee: **Sunowearth Electric Machine Industry Co., Ltd.**, Kaoshiung (TW)

(**) Term: **14 Years**

(21) Appl. No.: **29/300,215**

(22) Filed: **Feb. 29, 2008**

5,419,780 A	5/1995	Suski	
5,484,262 A	1/1996	Thomas et al.	
5,494,098 A	2/1996	Morosas	
5,597,034 A	1/1997	Barker, III et al.	
5,704,419 A	1/1998	Agonafer et al.	
6,084,328 A *	7/2000	Yamashita et al.	310/90
6,157,104 A *	12/2000	Yokozawa et al.	310/58
6,309,190 B1 *	10/2001	Chen	417/423.1
6,345,664 B1	2/2002	Katsui	
6,655,929 B2	12/2003	Hsieh	
7,021,906 B2 *	4/2006	Chang	417/360
7,044,721 B2 *	5/2006	Horng et al.	417/423.7
2003/0015311 A1	1/2003	Lin et al.	
2004/0124735 A1 *	7/2004	Hsiao	310/257

* cited by examiner

Related U.S. Application Data

(63) Continuation-in-part of application No. 29/272,299, filed on Feb. 6, 2007, now Pat. No. Des. 581,374.

Primary Examiner—Selina Sikder

(74) *Attorney, Agent, or Firm*—Bacon & Thomas, PLLC

(30) **Foreign Application Priority Data**

Oct. 5, 2006 (TW) 95305554

(57) **CLAIM**

The ornamental design for mini fan casing, as shown and described.

(51) **LOC (9) Cl.** **13-03**

(52) **U.S. Cl.** **D13/179**

(58) **Field of Classification Search** D13/179;
165/80.3, 104.33, 151, 122, 185; 257/706,
257/707, 718-722; 361/687, 695, 697, 700,
361/702, 704, 709, 710, 711, 719; 310/62,
310/63, 67 R; 415/176; 417/354, 423.15,
417/423.7; D23/370

See application file for complete search history.

DESCRIPTION

FIG. 1 is a perspective view of the mini fan casing in accordance with the claimed design;

FIG. 2 is a front elevation view thereof;

FIG. 3 is a rear elevation view thereof;

FIG. 4 is a left side elevation view thereof;

FIG. 5 is a right side elevation view thereof;

FIG. 6 is a top plan view thereof; and,

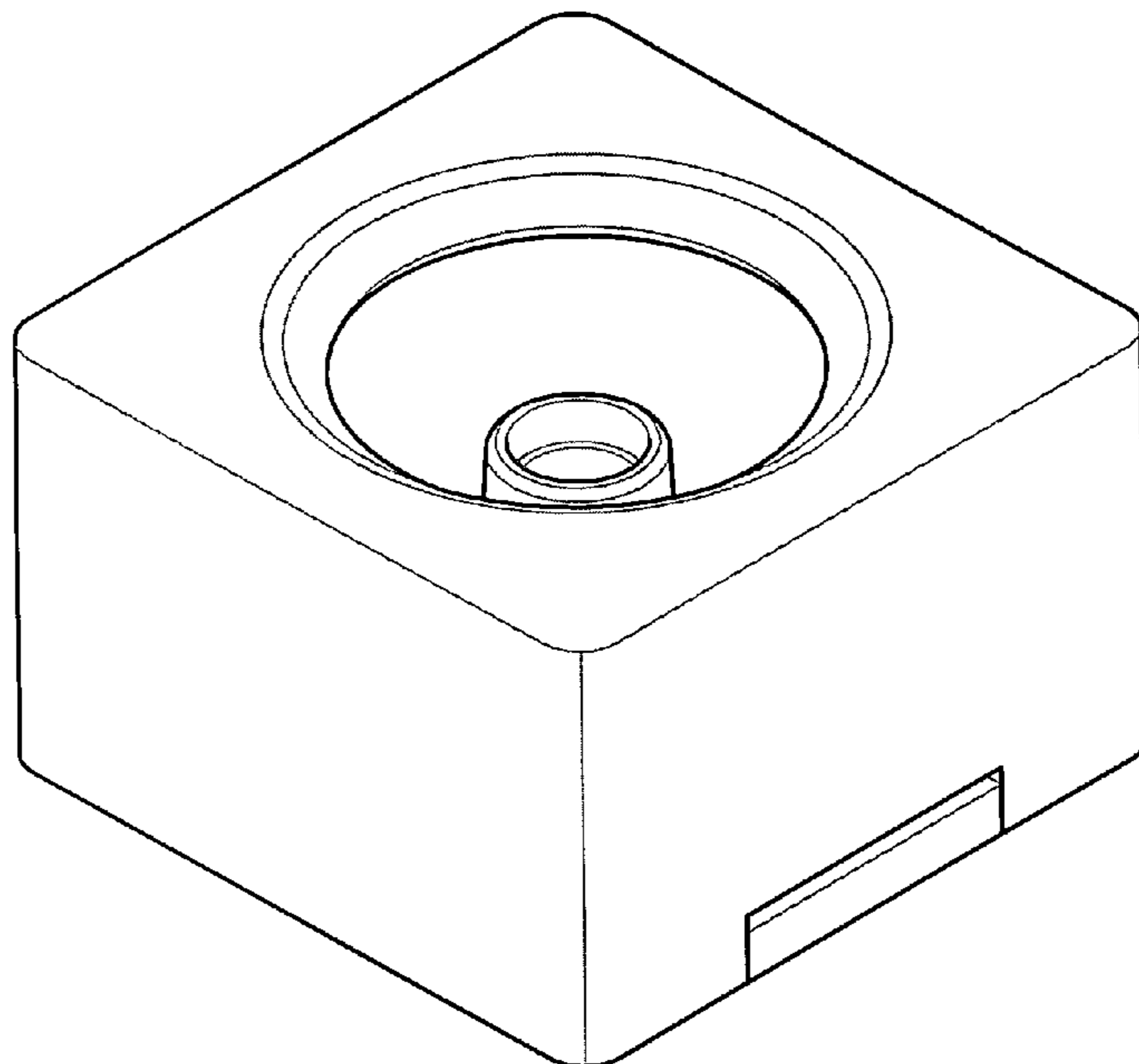
FIG. 7 is a bottom plan view thereof wherein the broken lines define portions of the mini fan casing that form no part of the claimed design.

(56) **References Cited**

U.S. PATENT DOCUMENTS

5,297,617 A	3/1994	Herbert
D356,777 S	3/1995	Katsui et al.
D357,900 S	5/1995	Katsui et al.

1 Claim, 4 Drawing Sheets



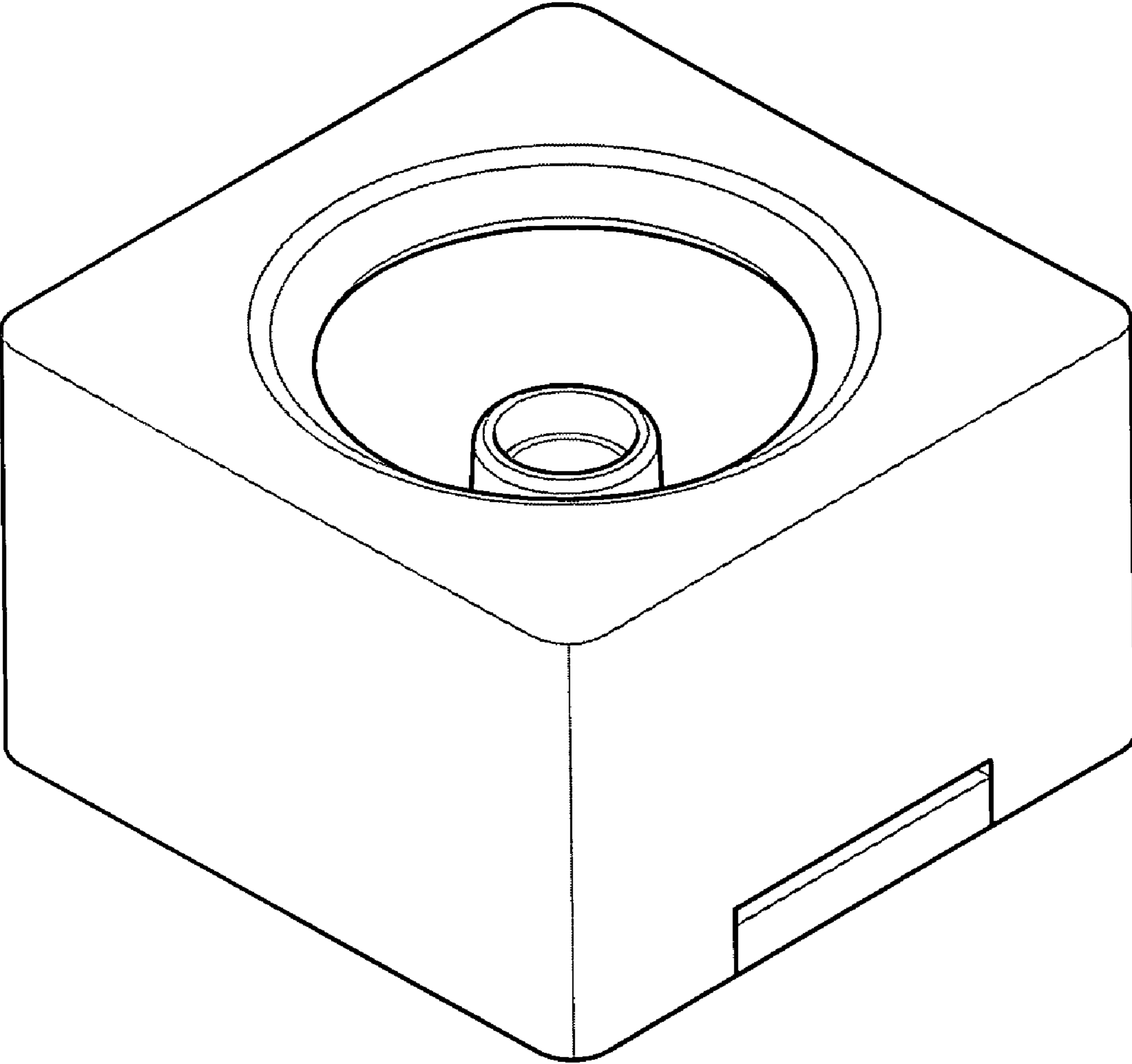


FIG. 1

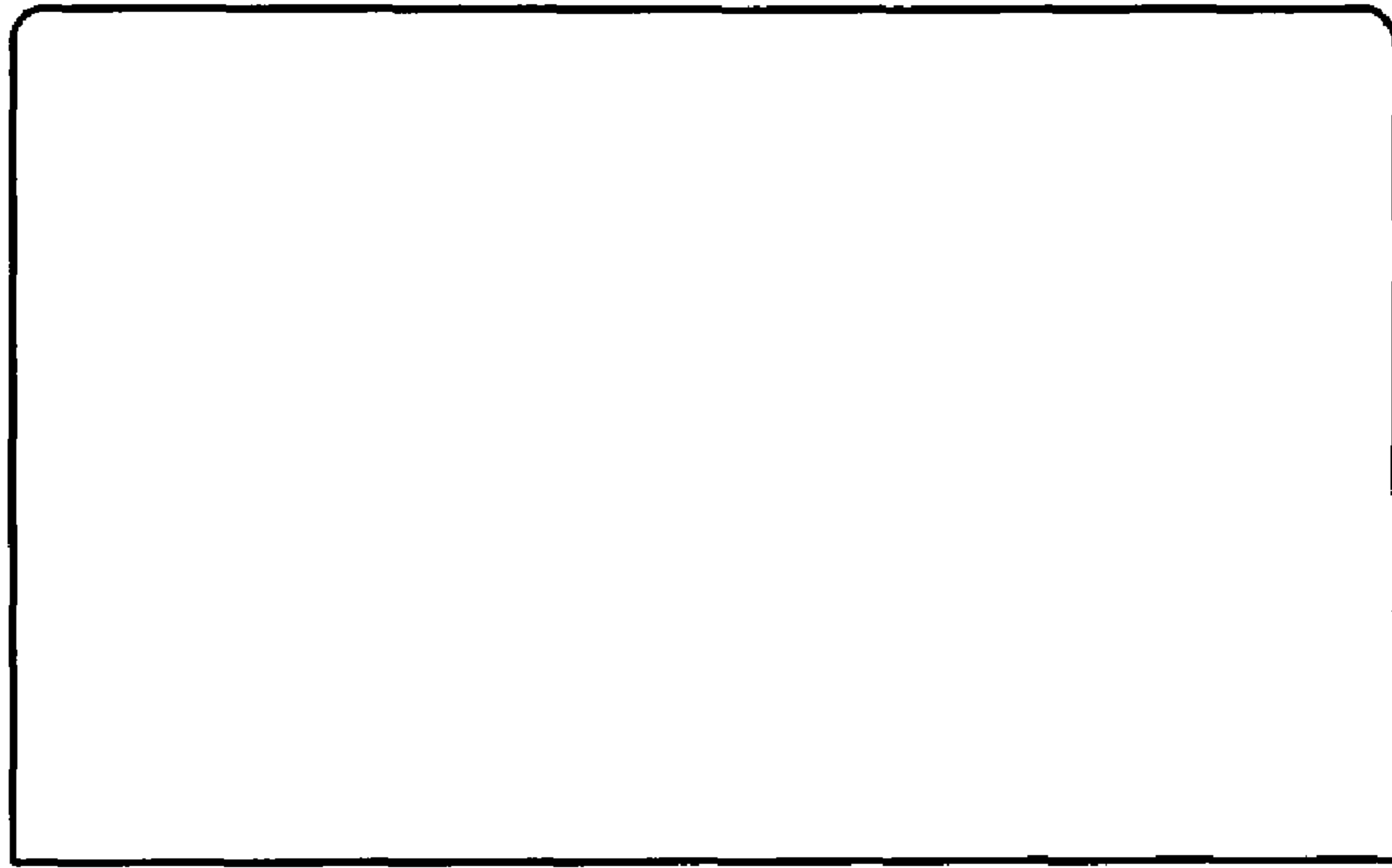


FIG. 2

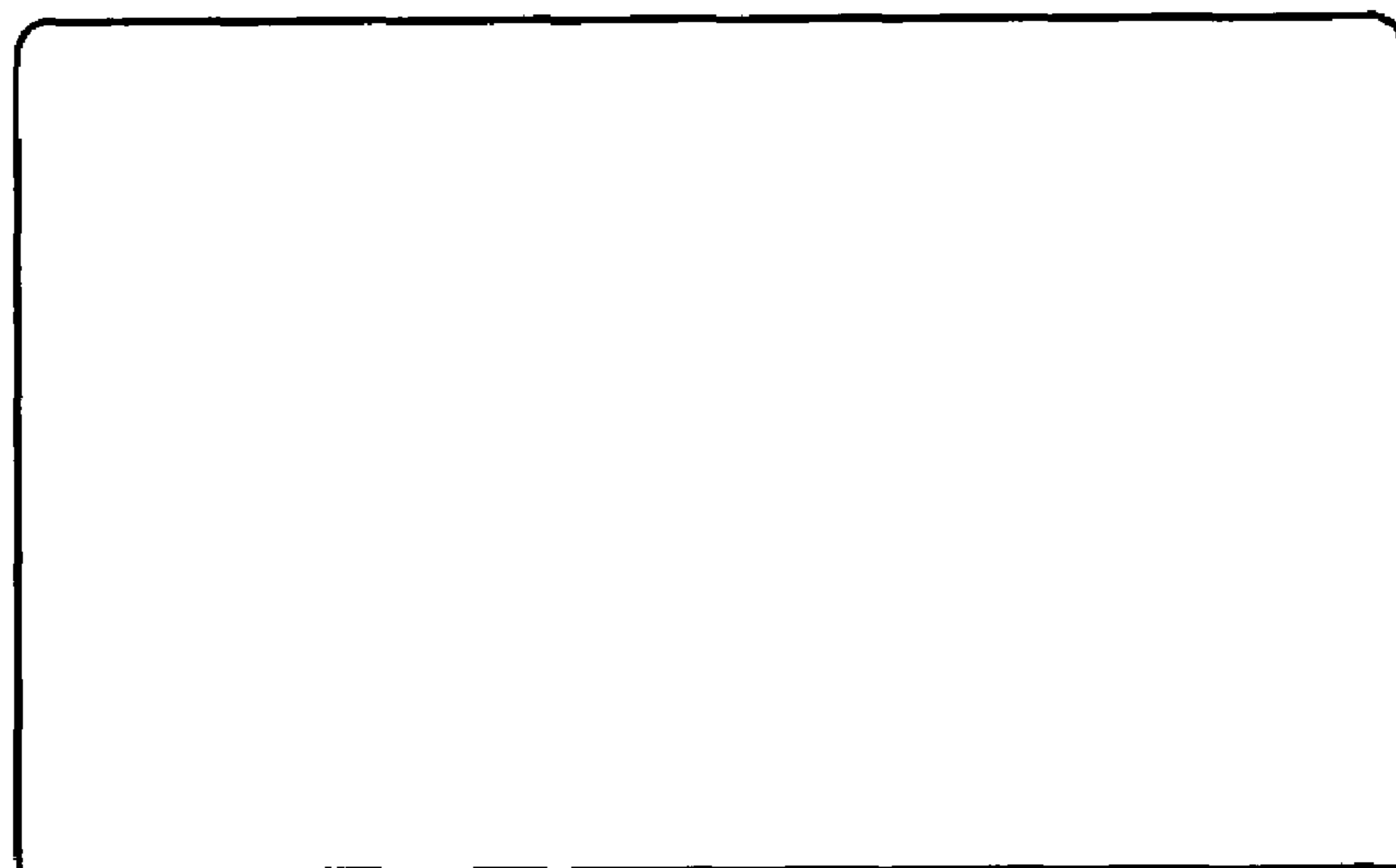


FIG. 3

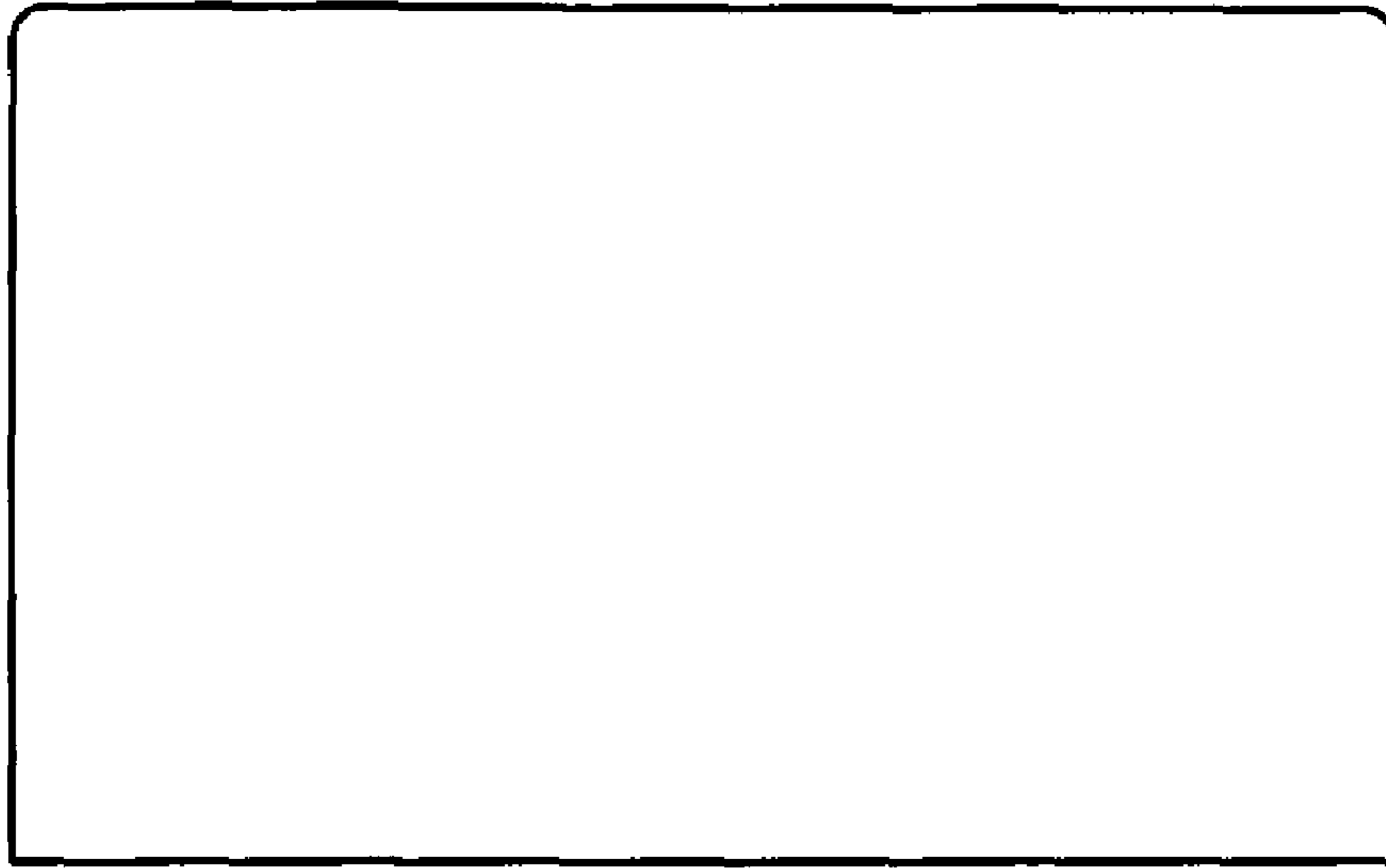


FIG. 4

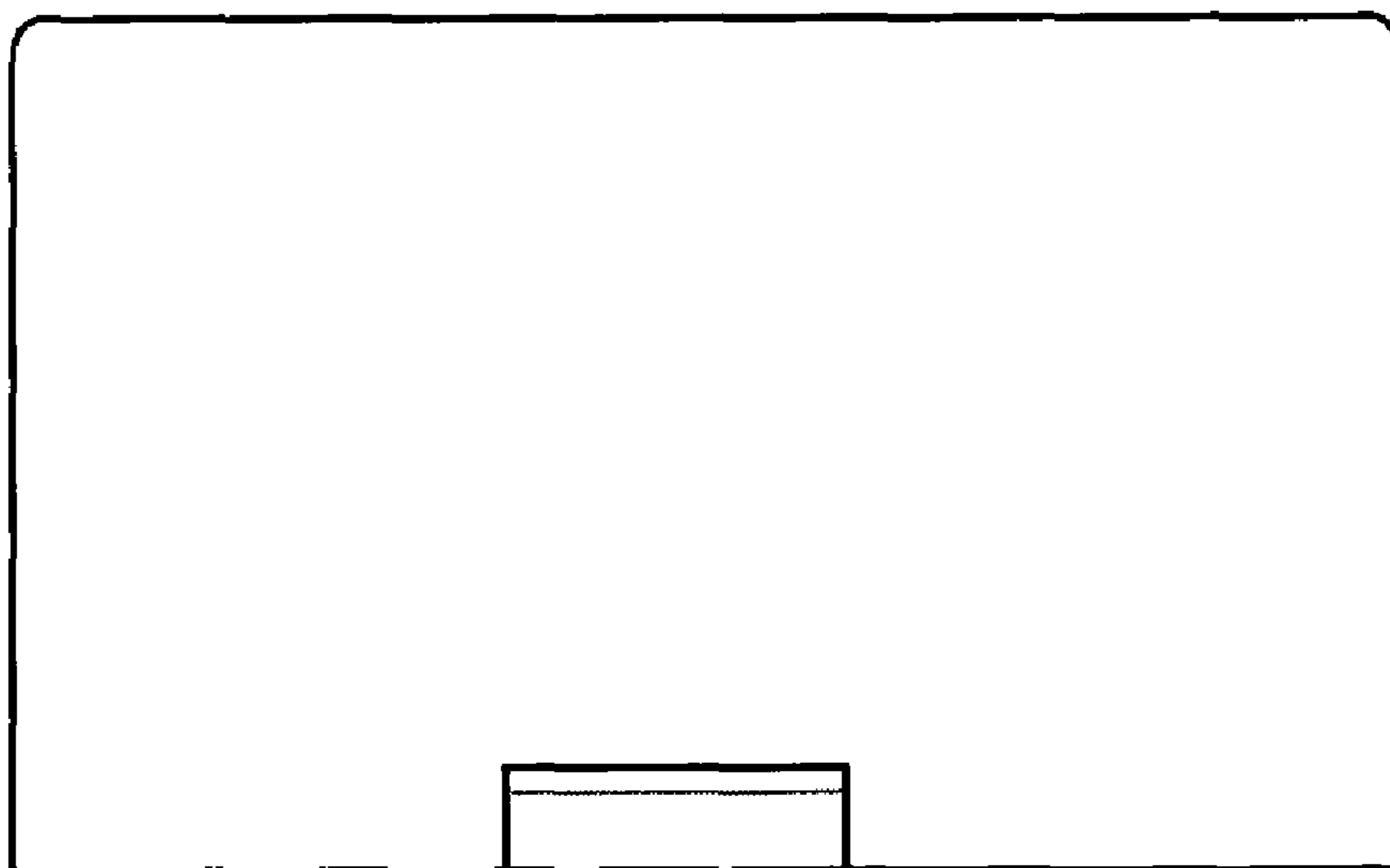


FIG. 5

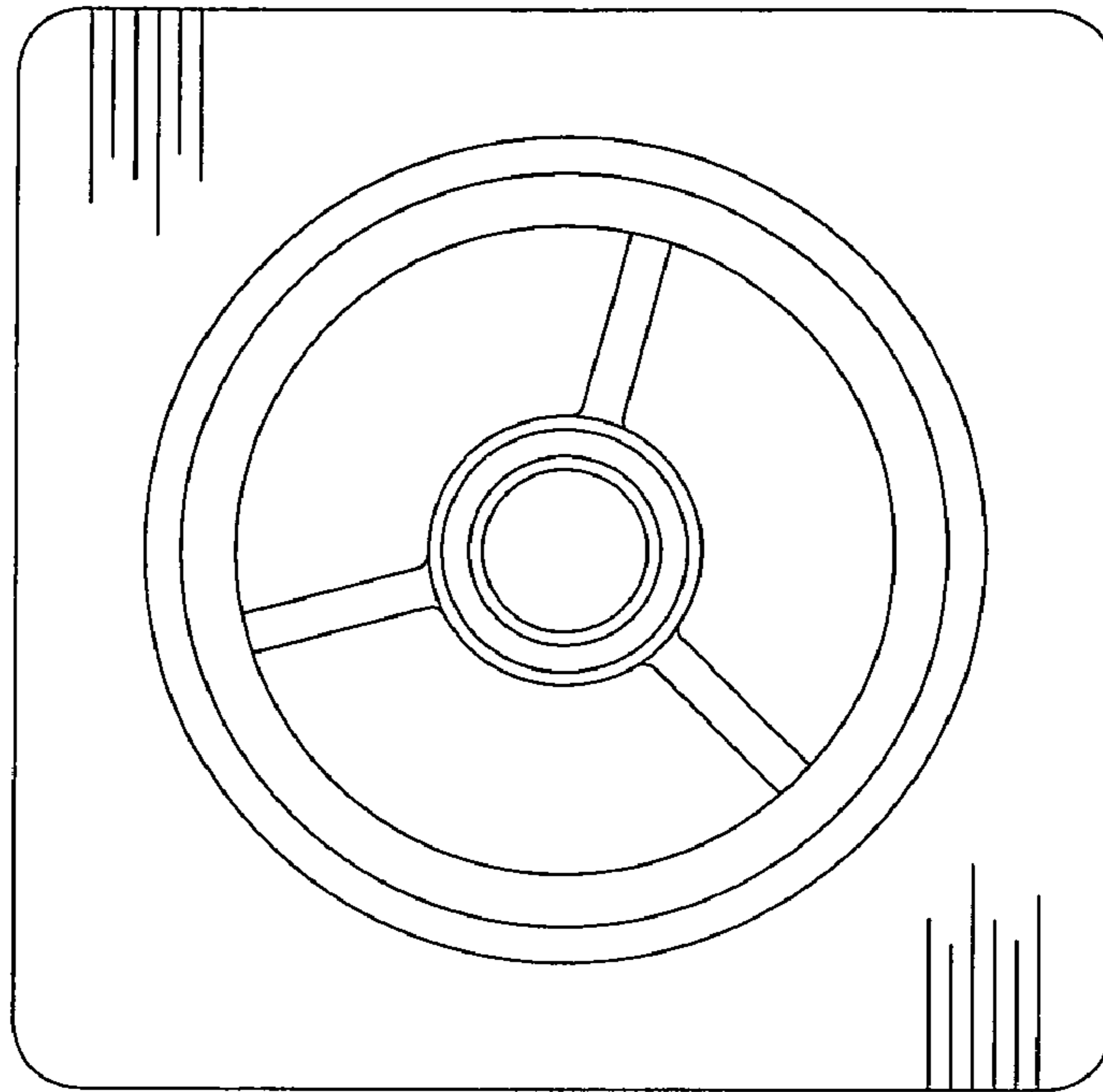


FIG. 6

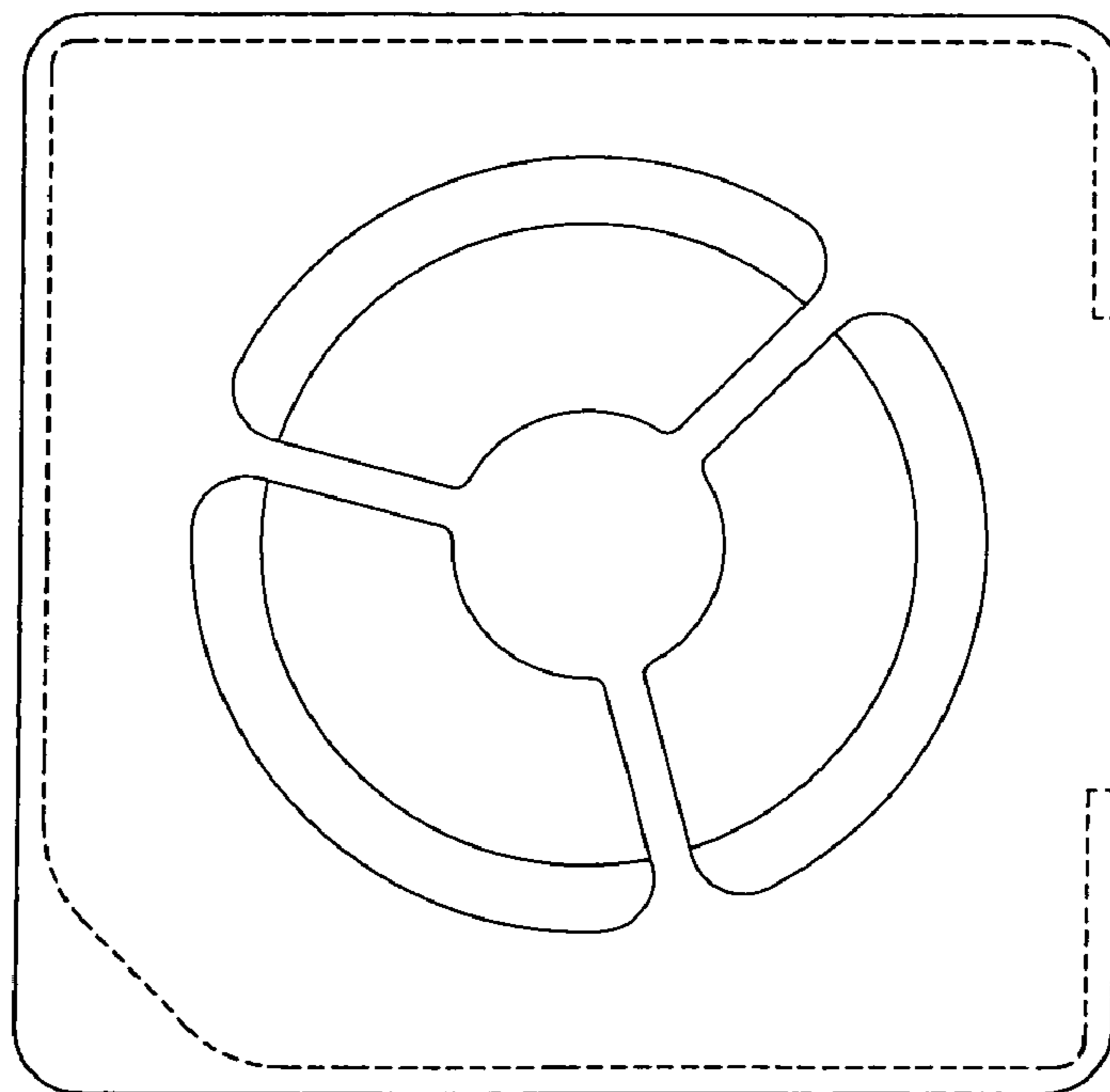


FIG. 7