



US00D589463S

(12) **United States Design Patent**
Sykes

(10) **Patent No.:** **US D589,463 S**
(45) **Date of Patent:** **** Mar. 31, 2009**

(54) **WIRELESS LIGHT WITH ON/OFF SWITCH**

(75) Inventor: **Brian John Sykes**, Mission Viejo, CA (US)

(73) Assignee: **Shye Worldwide LLC**, Lake Forest, CA (US)

(**) Term: **14 Years**

(21) Appl. No.: **29/305,534**

(22) Filed: **Mar. 22, 2008**

(51) **LOC (9) Cl.** **13-03**

(52) **U.S. Cl.** **D13/169; D13/168**

(58) **Field of Classification Search** D13/168, D13/169, 171; 174/66; 200/5 R, 5 A, 1 B, 200/6 A, 293, 296, 329, 335, 339, 406, 513, 200/520, 530, 302.1, 302.2, 314, 315, 341, 200/344; 315/291-296; 338/198-200

See application file for complete search history.

(56) **References Cited**

U.S. PATENT DOCUMENTS

D292,204 S *	10/1987	Booty et al.	D13/156
D300,528 S *	4/1989	Drane	D13/171
4,899,063 A *	2/1990	Suck	307/9.1
4,975,547 A *	12/1990	Nakayama et al.	200/5 R
D320,596 S *	10/1991	Sdunek	D13/174
5,213,204 A *	5/1993	Sommer	200/303
D374,658 S *	10/1996	Bever et al.	D13/177
D464,630 S *	10/2002	Woodworth	D13/171
6,965,085 B1 *	11/2005	Orrico et al.	200/314
7,030,324 B2 *	4/2006	Gotoh	200/6 A
7,078,632 B2 *	7/2006	Komatsu	200/5 R
D533,143 S *	12/2006	Jones	D13/169
7,180,021 B2 *	2/2007	Birdwell et al.	200/310

2007/0102275 A1* 5/2007 Genz et al. 200/406

* cited by examiner

Primary Examiner—Selina Sikder

(74) *Attorney, Agent, or Firm*—John A. Artz; Dickinson Wright PLLC

(57) **CLAIM**

The ornamental design for the wireless light with on/off switch, as shown and described.

DESCRIPTION

FIG. 1 is a perspective view of the wireless light with on/off switch in accordance with the present invention;

FIG. 2 is a front elevational view of the wireless light with on/off switch in accordance with the present invention;

FIG. 3 is a back elevational view of the wireless light with on/off switch in accordance with the present invention;

FIG. 4 is a left side view of the wireless light with on/off switch in accordance with the present invention shown separately for ease of illustration;

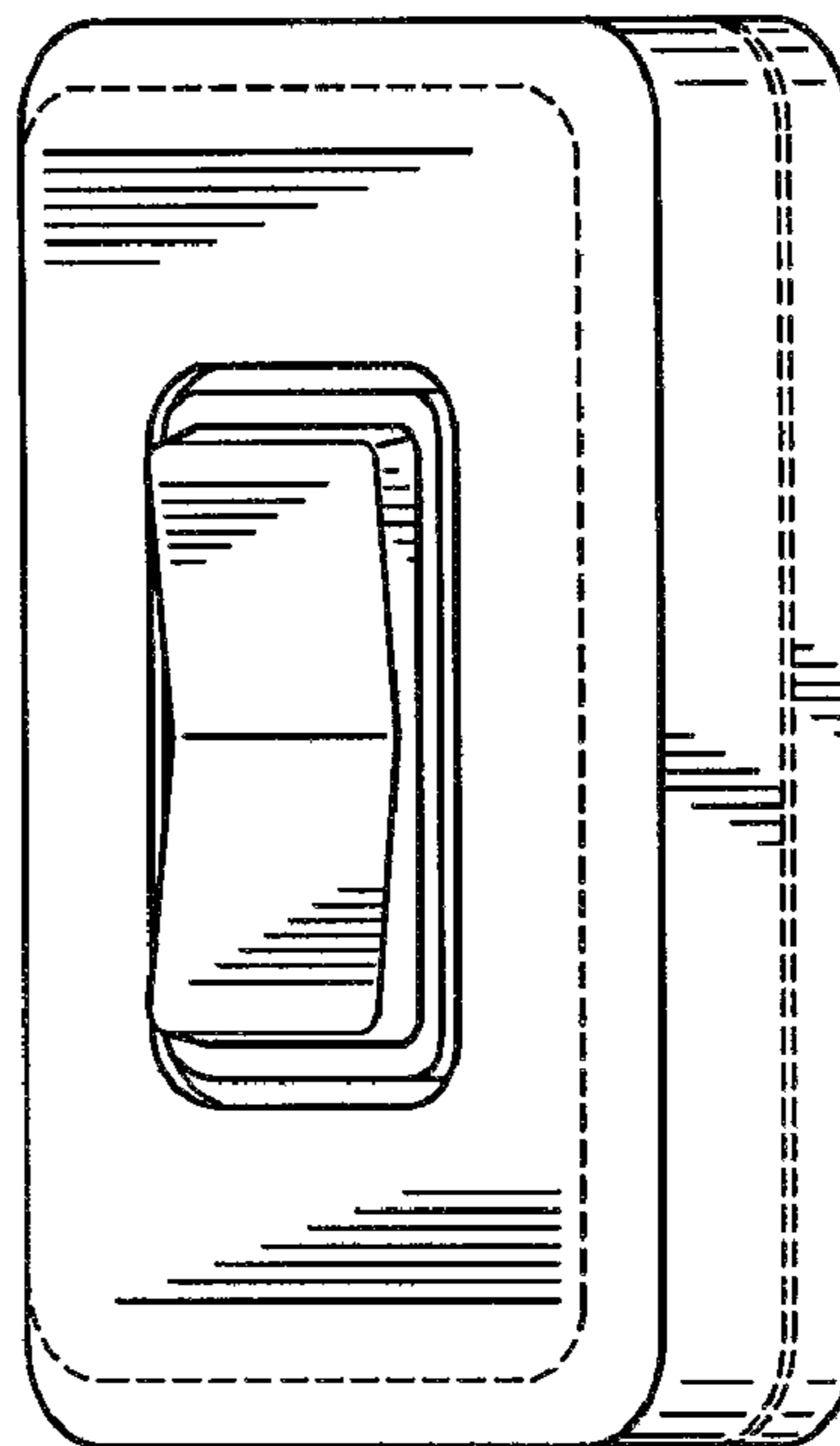
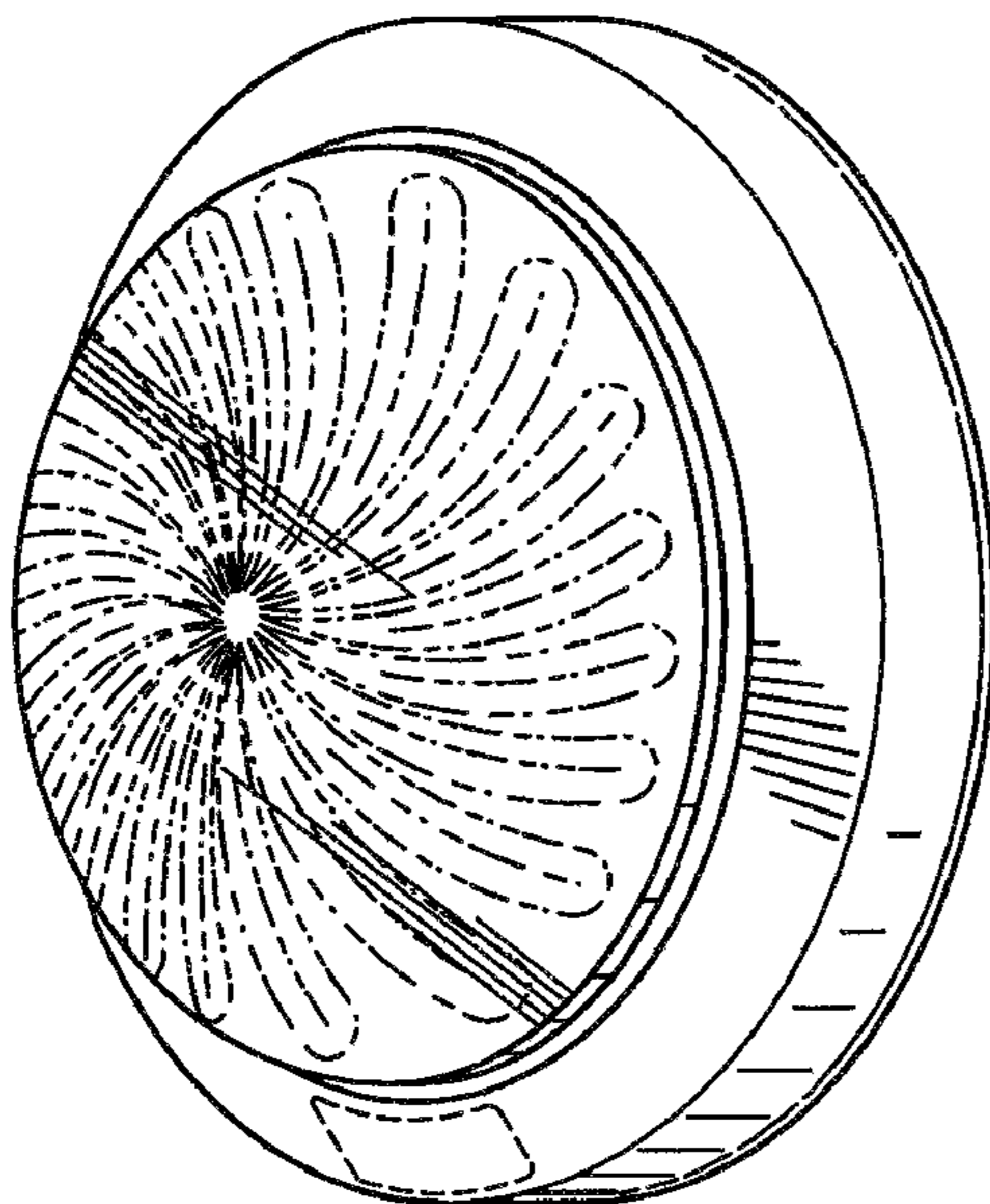
FIG. 5 is a right side view of the on/off switch in accordance with the present invention, shown separately for ease of illustration;

FIG. 6 is a top plan view of the wireless light with on/off switch in accordance with the present invention; and,

FIG. 7 is a bottom plan view of the wireless light in accordance with the present invention, shown separately for ease of illustration. The bottom plan view of the on/off switch is a mirror image of the top plan view shown in FIG. 6.

The parts and items shown in dashed lines are part of the environment and are not part of the claimed design.

1 Claim, 3 Drawing Sheets



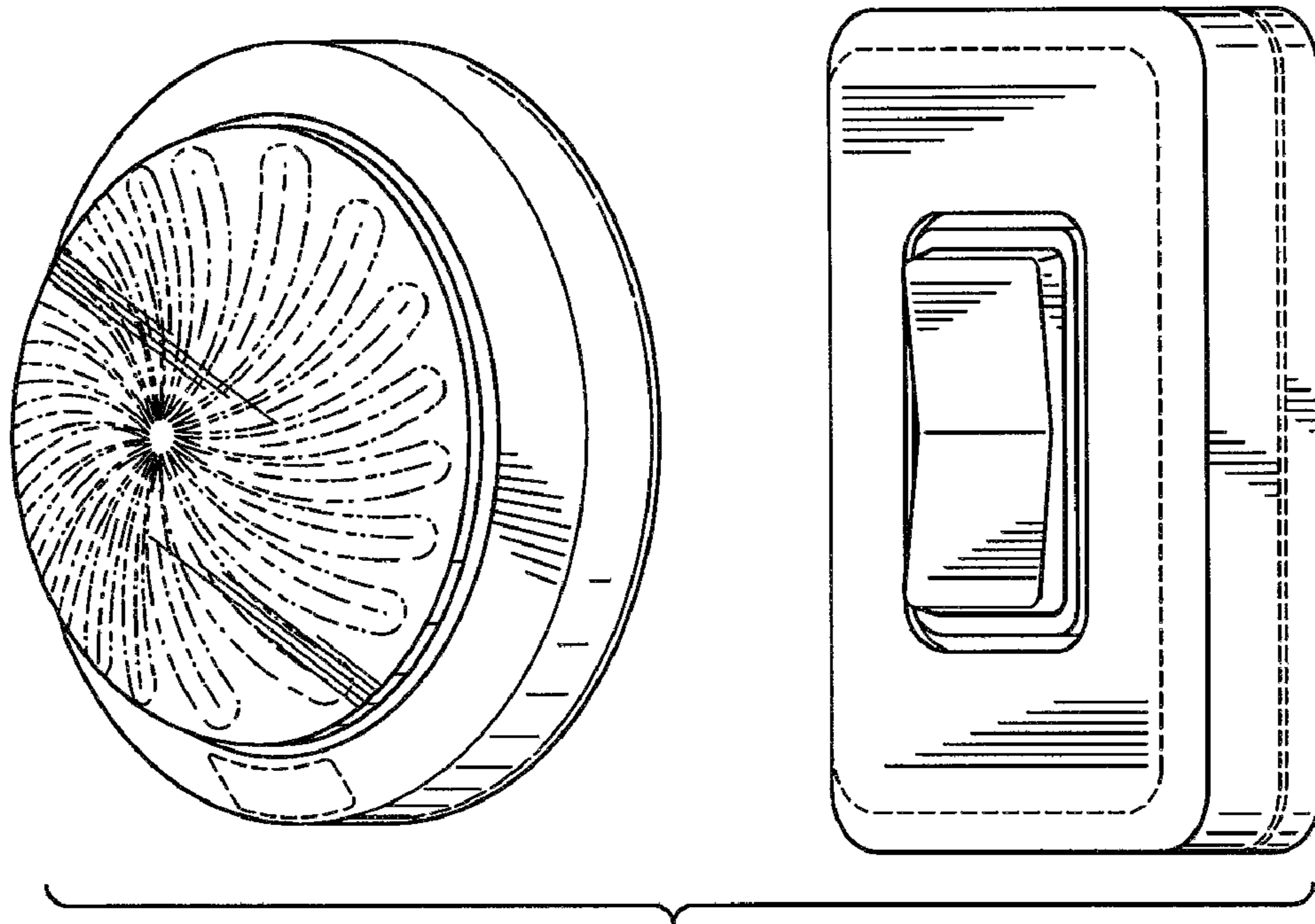


FIG. 1

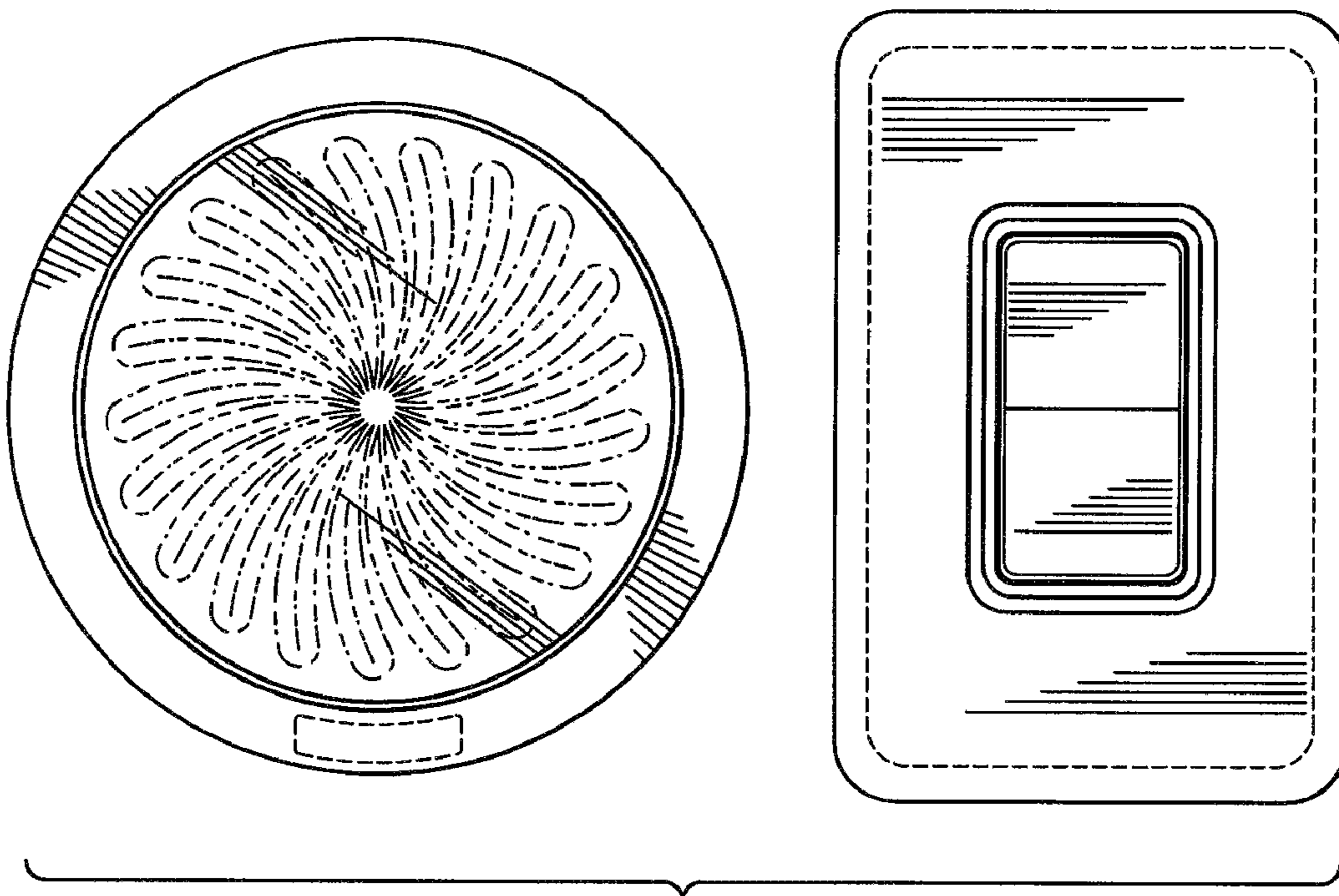


FIG. 2

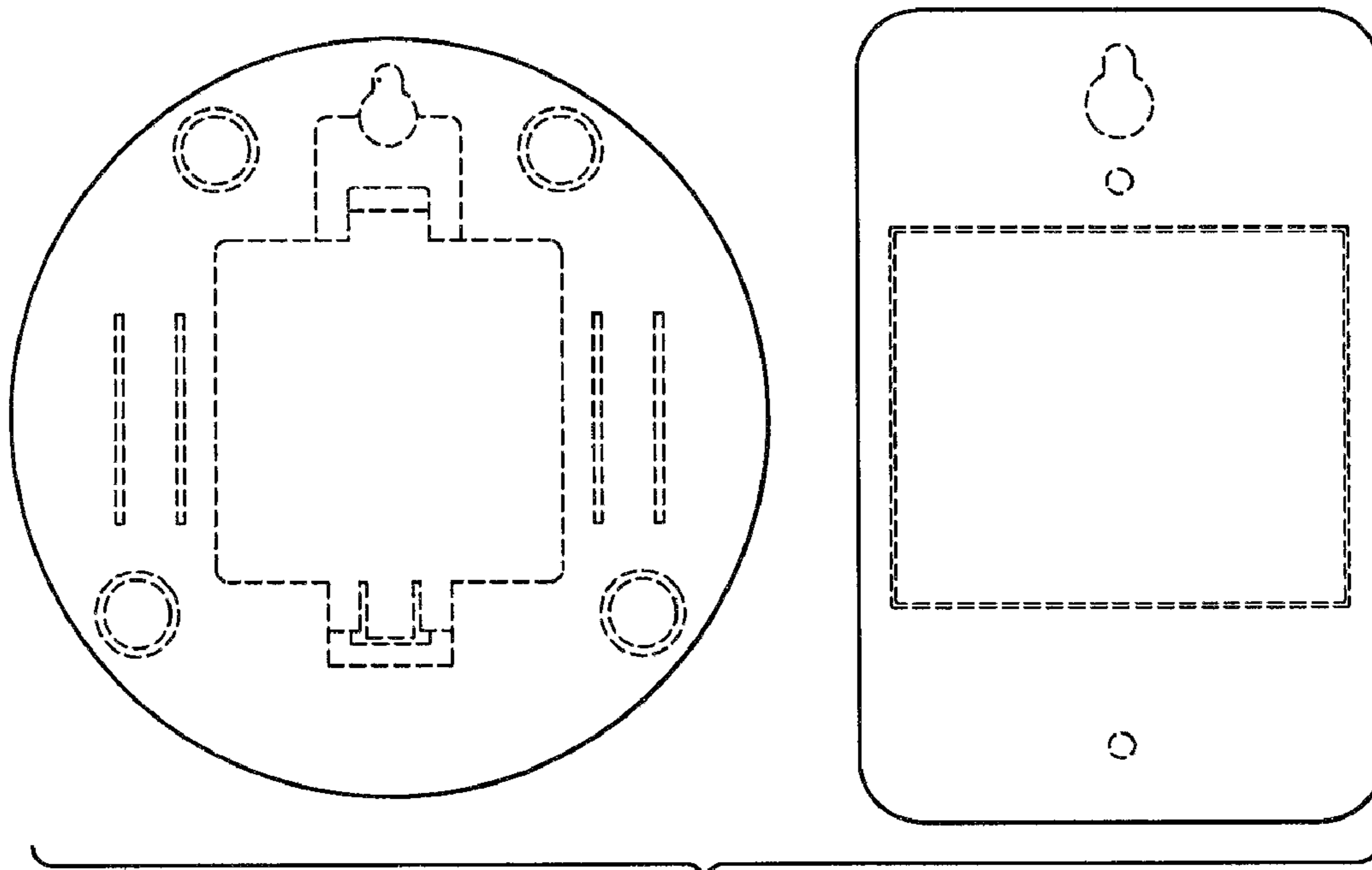


FIG. 3

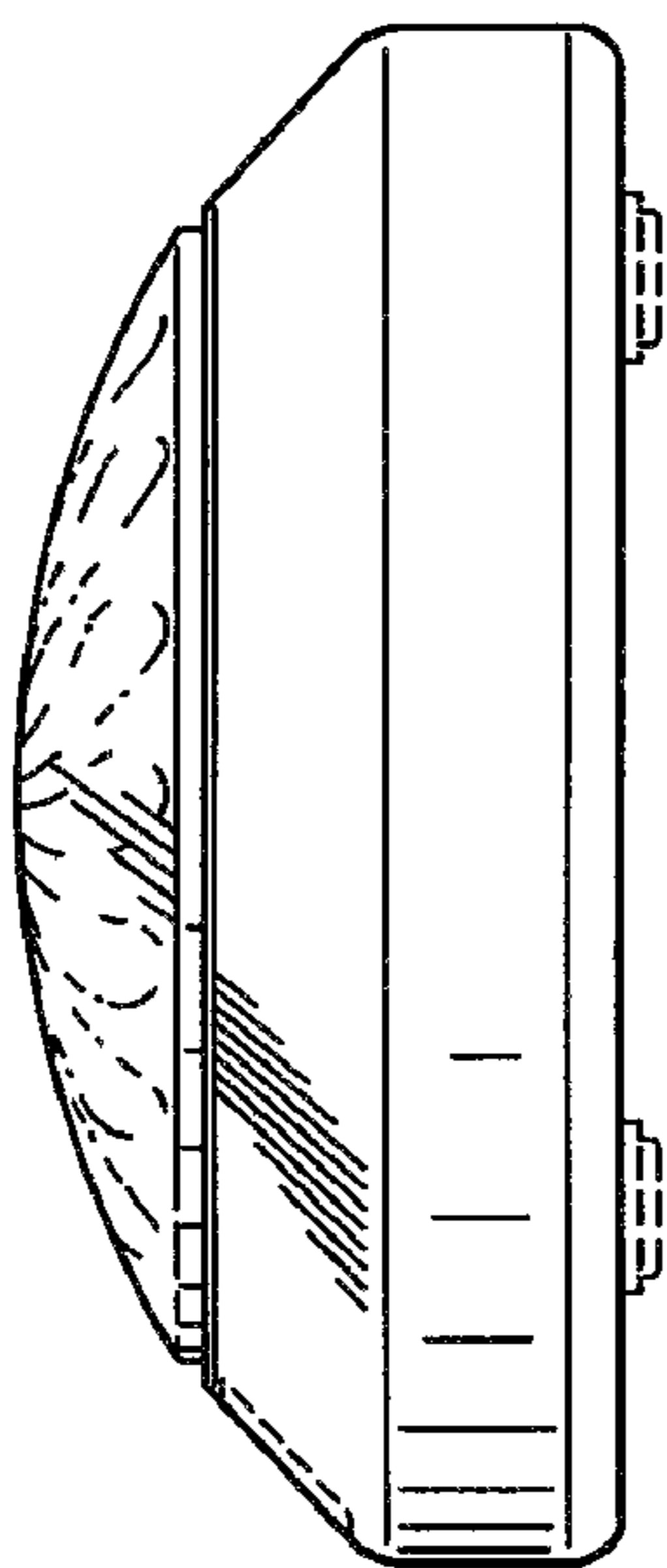


FIG. 4

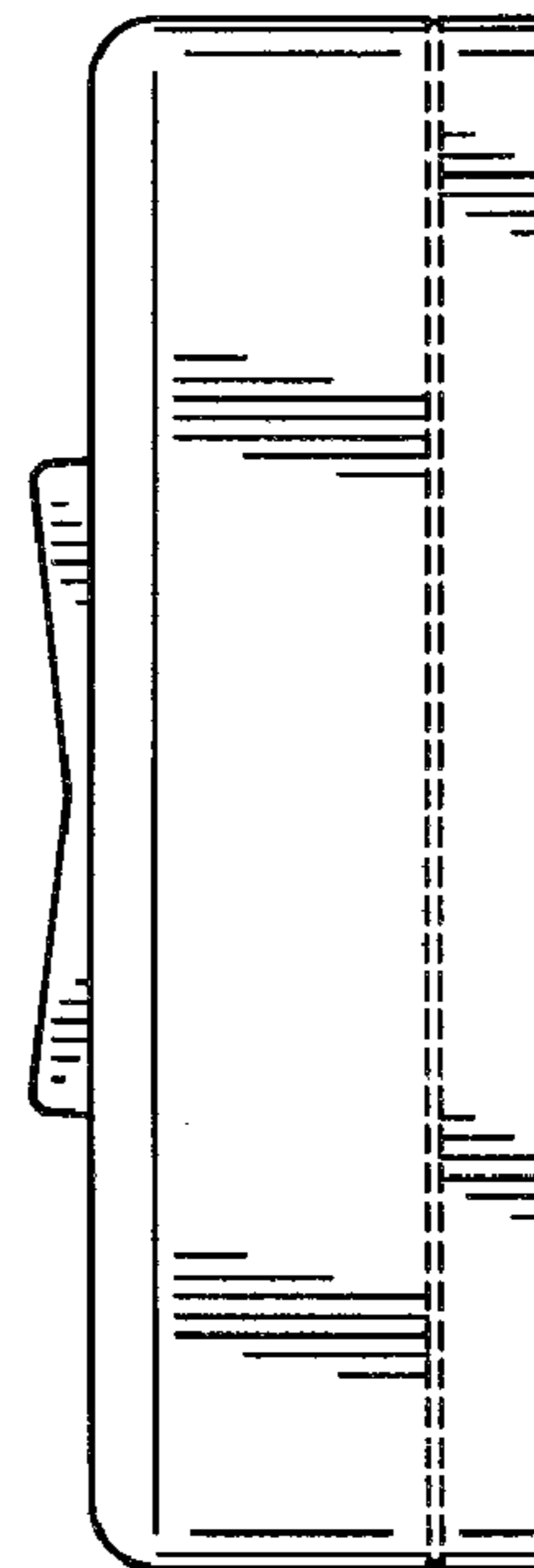


FIG. 5

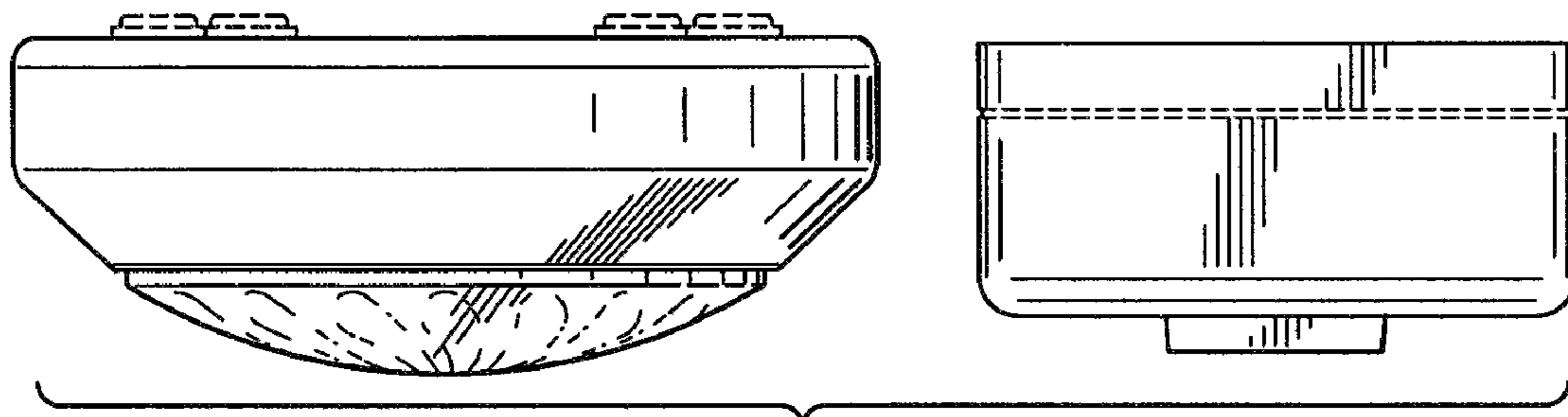


FIG. 6

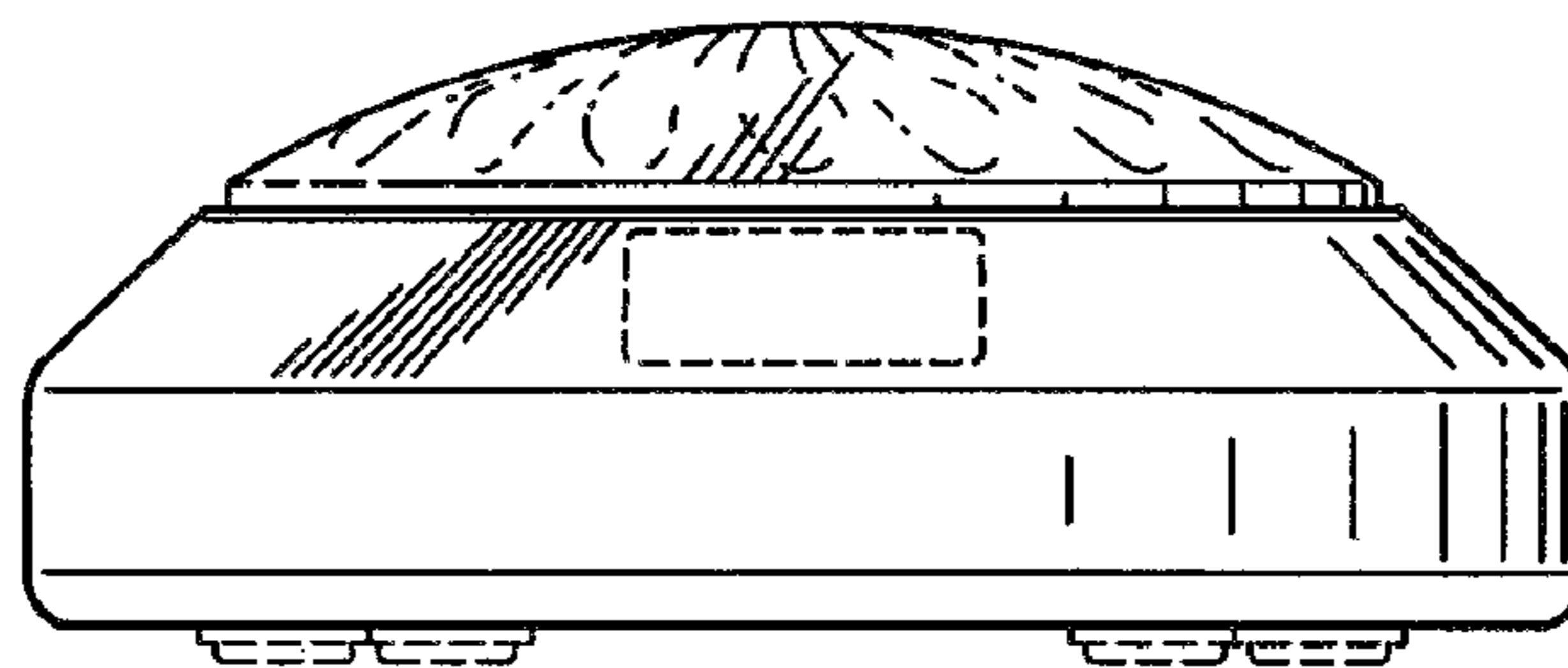


FIG. 7