



US00D589462S

(12) **United States Design Patent**
Tupinier

(10) **Patent No.:** **US D589,462 S**
(45) **Date of Patent:** **** Mar. 31, 2009**

(54) **REMOTE CONTROL RING FOR VEHICLE
MOTOR AND TRANSMISSION**

D274,318 S * 6/1984 Bulgari D11/27
D327,876 S * 7/1992 Stickle D13/168
D342,740 S * 12/1993 Parker D14/218
D381,009 S * 7/1997 Nagata D13/168
D411,131 S * 6/1999 Chen D11/27
D567,227 S * 4/2008 Hada D14/218

(75) Inventor: **Laurent Tupinier**, Reichstett (FR)

(73) Assignee: **Delphi France SAS**, Tremblay en France (FR)

(**) Term: **14 Years**

(21) Appl. No.: **29/308,124**

(22) Filed: **May 28, 2008**

(30) **Foreign Application Priority Data**

Feb. 7, 2008 (EM) 000874342-0001

(51) **LOC (9) Cl.** **14-03**

(52) **U.S. Cl.** **D13/168**

(58) **Field of Classification Search** D13/168,
D13/199; D10/104, 106, 31; D14/218, 247;
340/426.1, 426.18, 426.36, 5.23, 5.25, 5.61,
340/5.62, 5.64, 5.72, 825.69, 825.72; 341/20,
341/22, 23, 34, 176; 345/156, 158, 169;
348/734; 701/2; D11/27

See application file for complete search history.

(56) **References Cited**

U.S. PATENT DOCUMENTS

1,906,003 A * 4/1933 Green 131/258

* cited by examiner

Primary Examiner—Selina Sikder

(74) *Attorney, Agent, or Firm*—Abelman, Frayne & Schwab

(57) **CLAIM**

The ornamental design for a remote control ring for vehicle motor and transmission, as shown and described.

DESCRIPTION

FIG. 1 is a perspective view of the remote control ring for a vehicle motor and transmission access showing my new design;

FIG. 2 is a top plan view thereof;

FIG. 3 is a front side elevation view thereof;

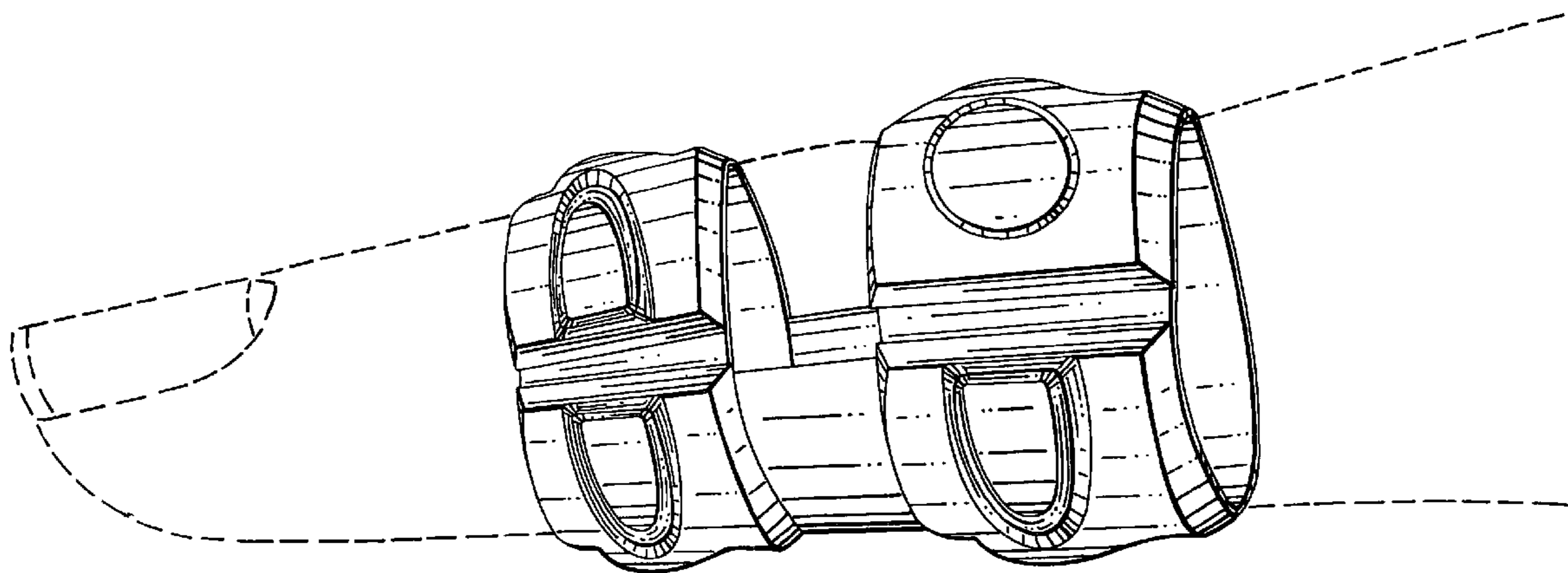
FIG. 4 is a left side elevation view thereof;

FIG. 5 is a right side elevation view thereof;

FIG. 6 is a rear side elevation view thereof; and,

FIG. 7 is a bottom plan view thereof.

1 Claim, 4 Drawing Sheets



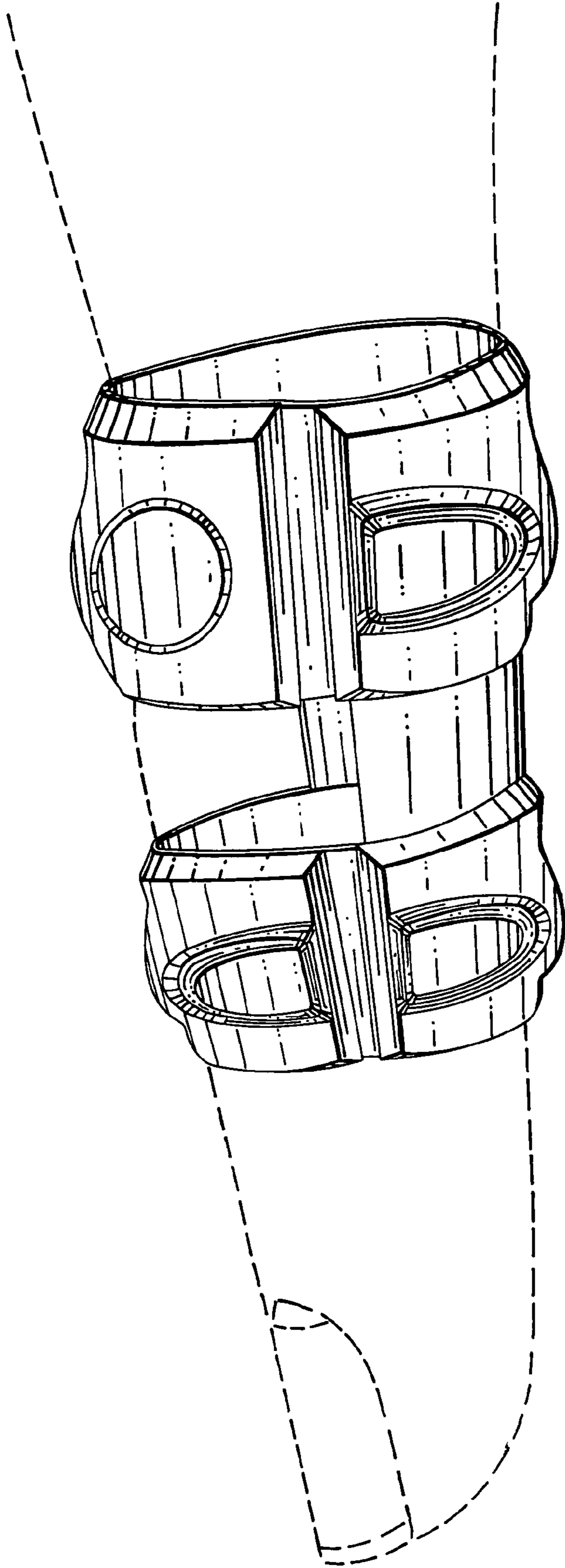


FIG. 1

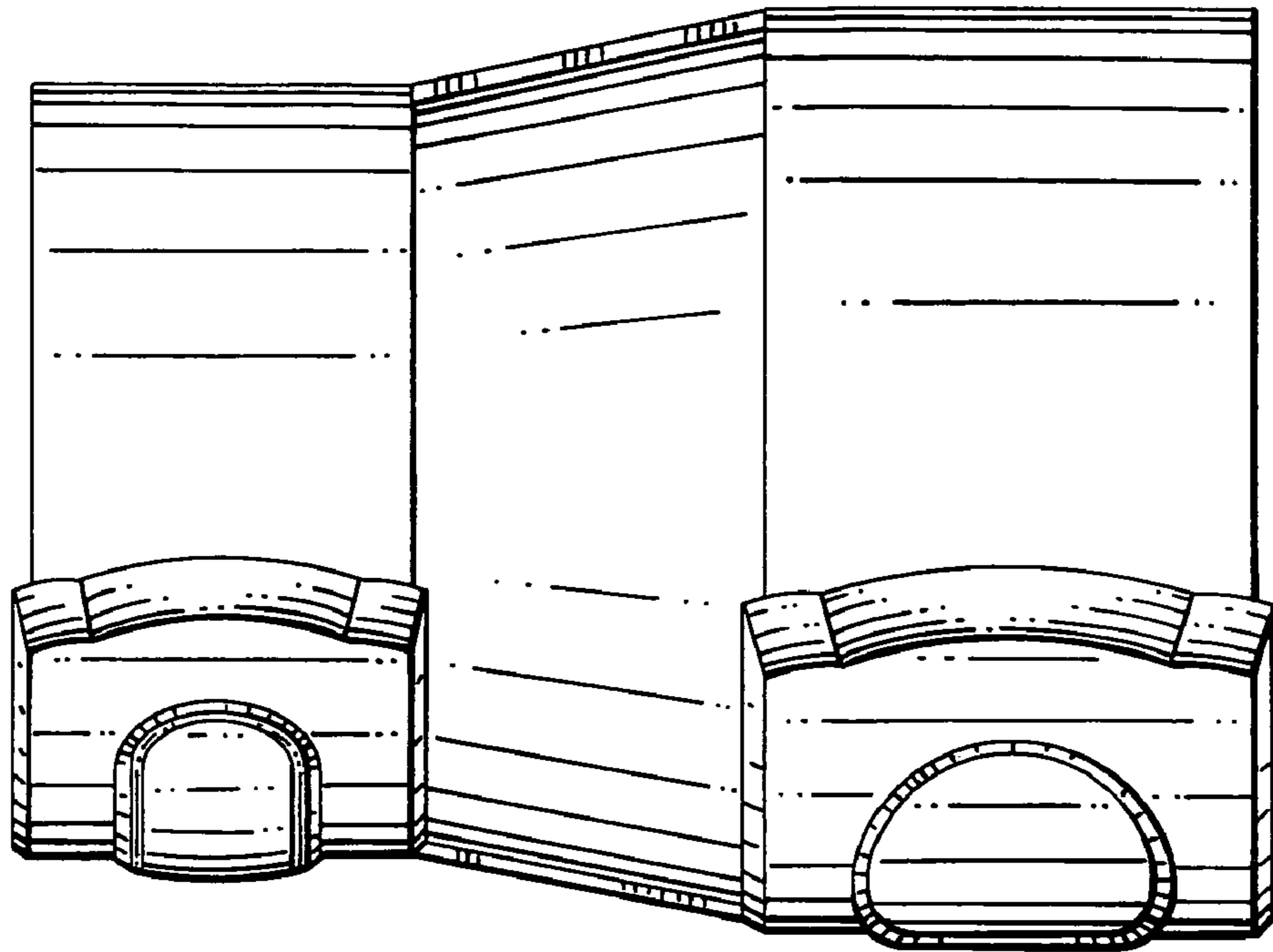


FIG. 2

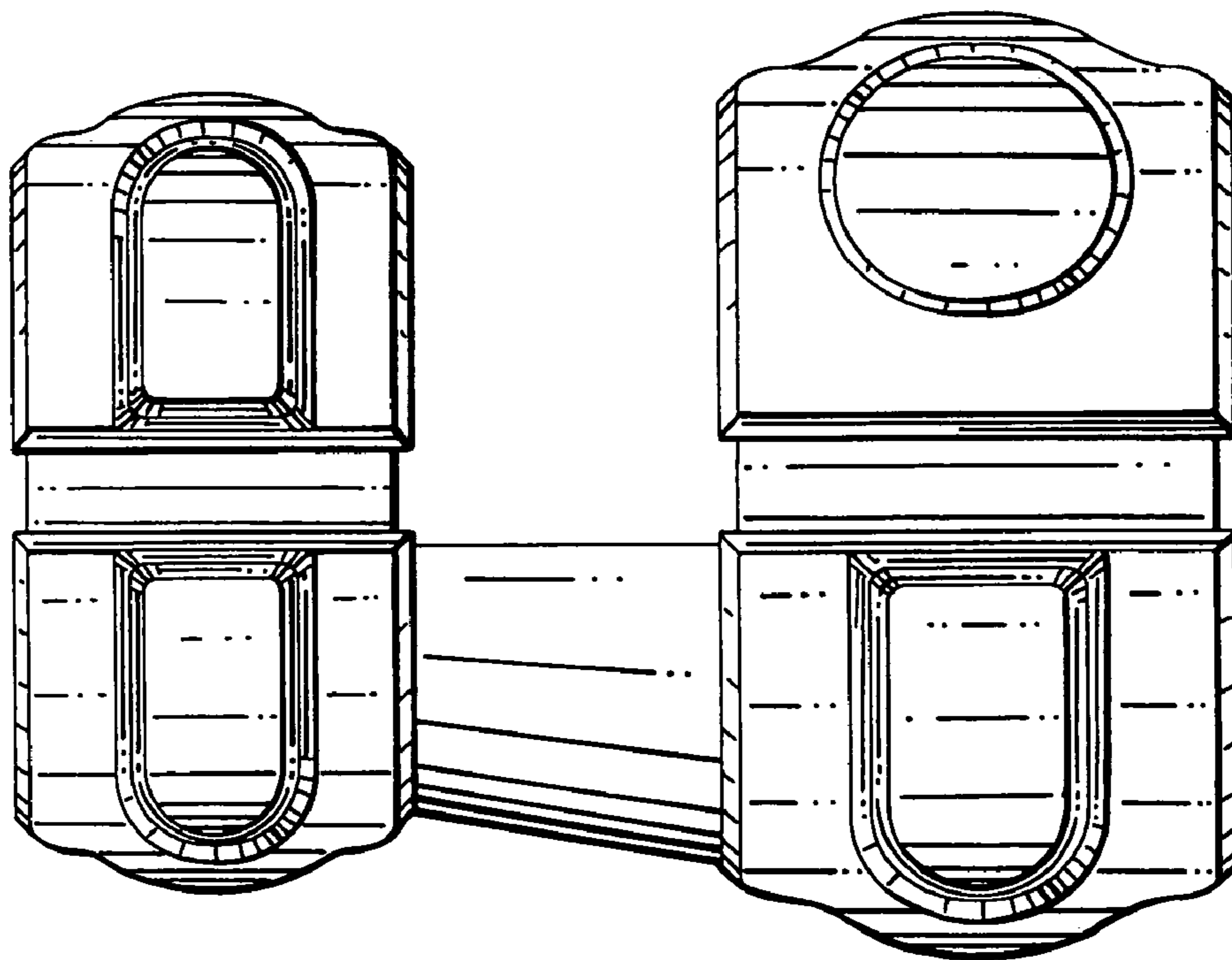


FIG. 3

FIG. 4

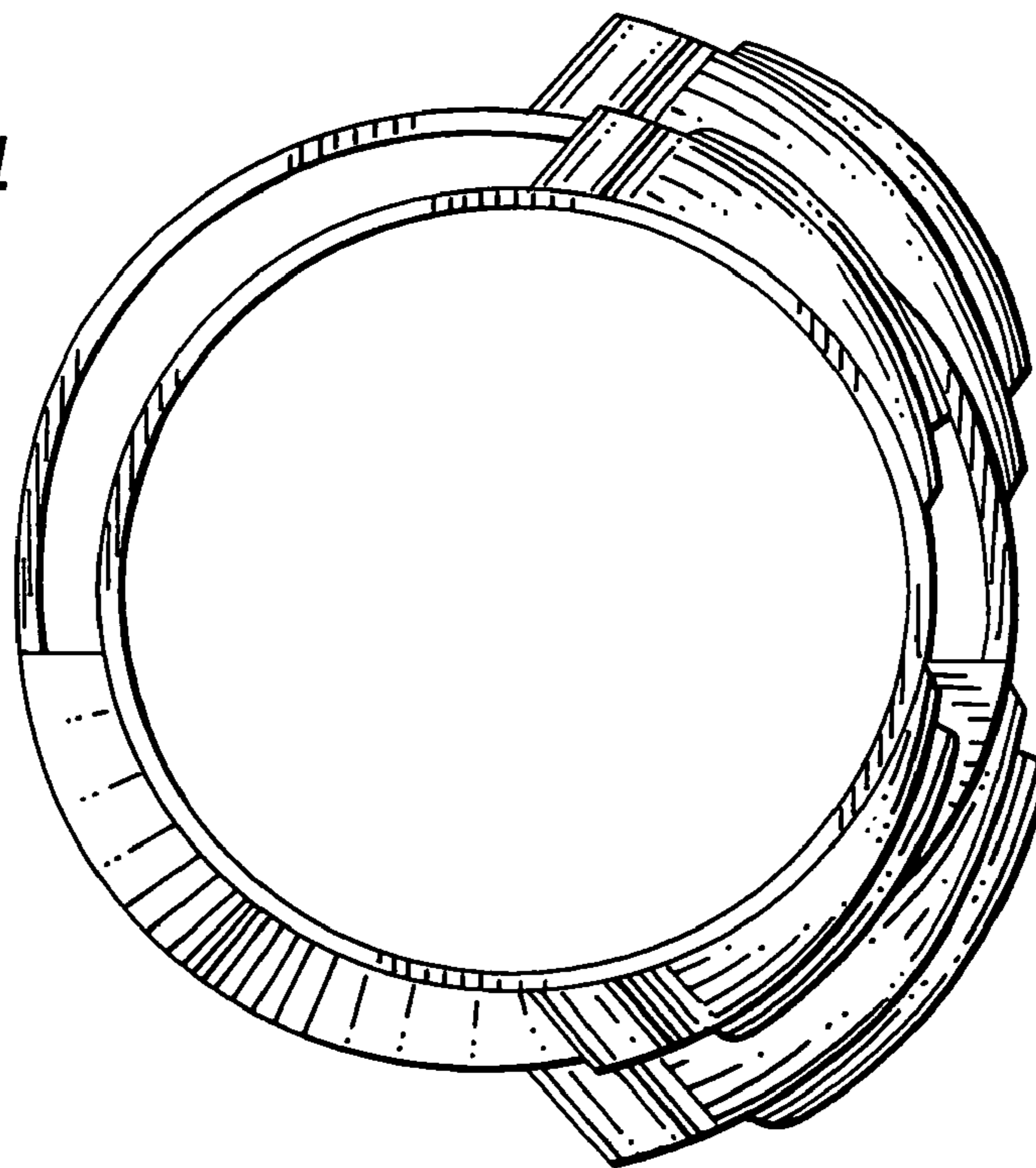


FIG. 5

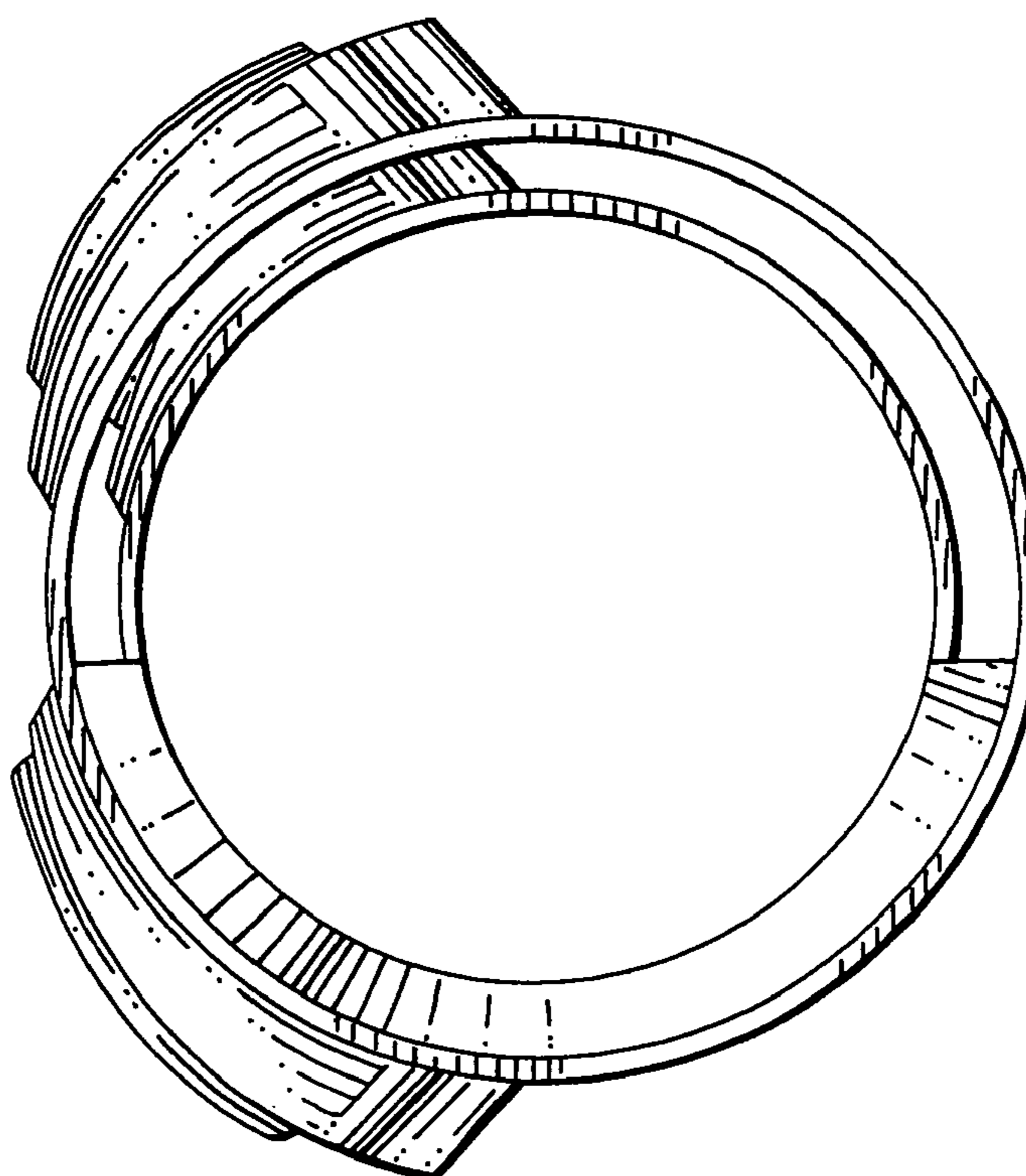


FIG. 6

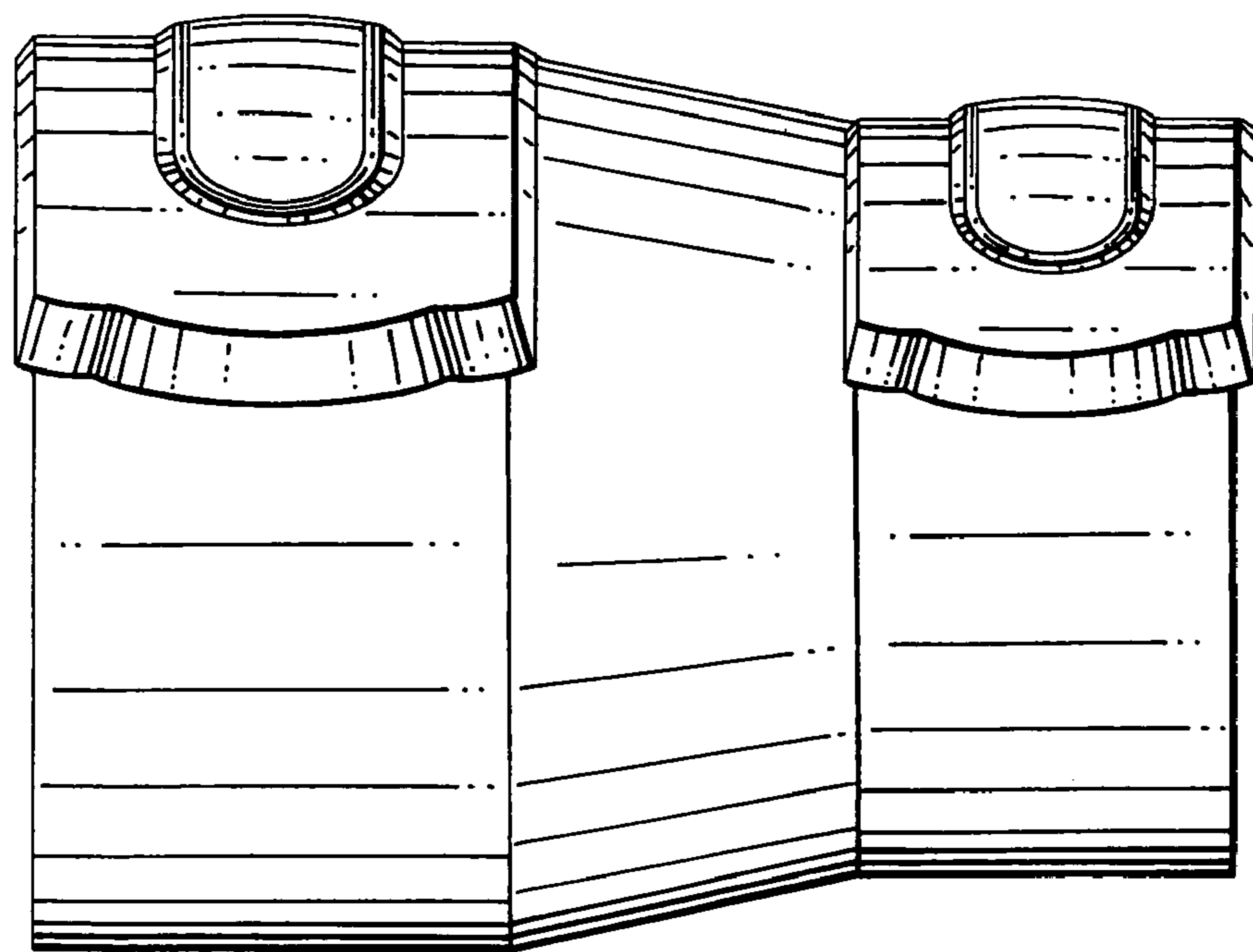
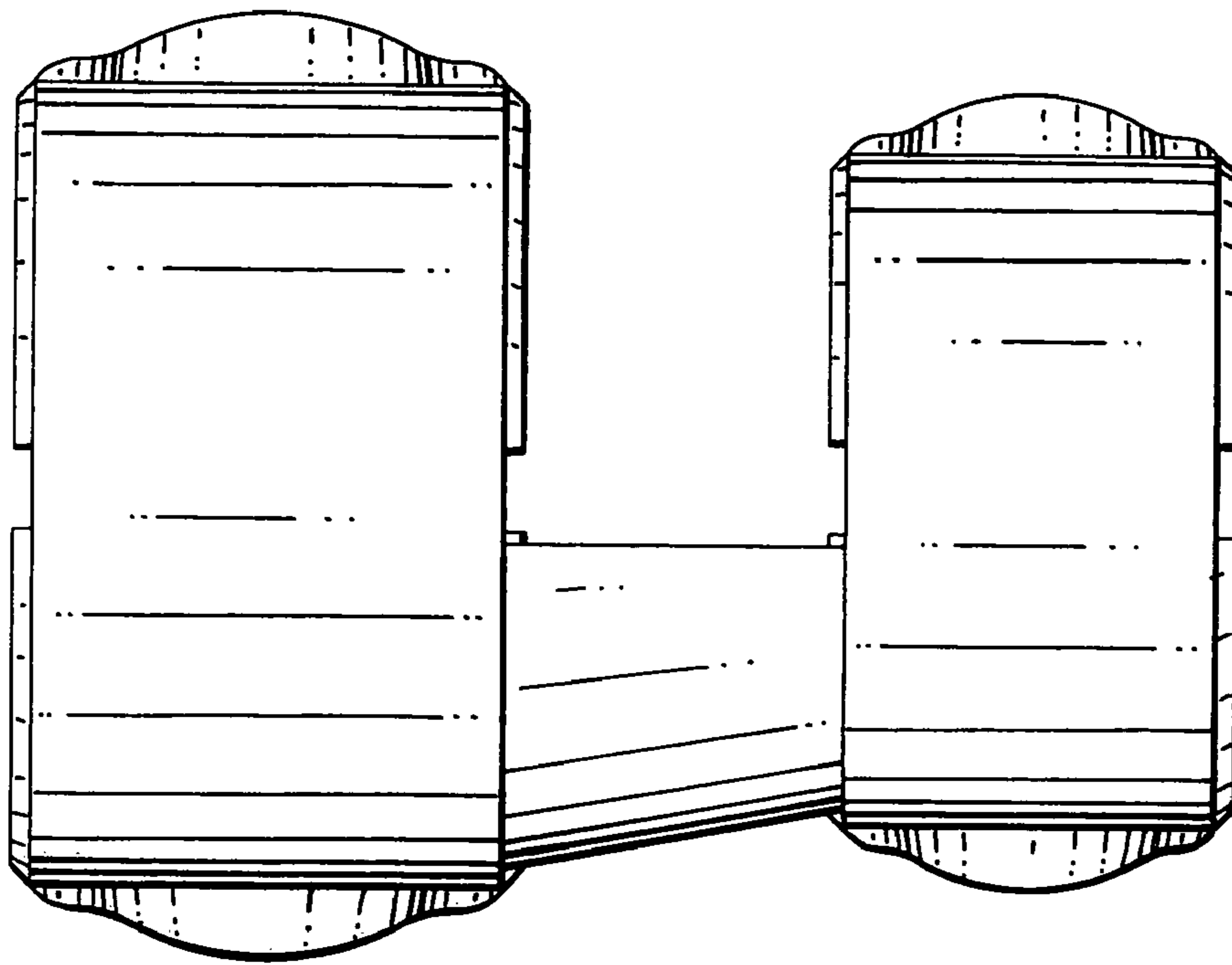


FIG. 7