



US00D589459S

(12) **United States Design Patent**
Iida

(10) **Patent No.:** **US D589,459 S**
(45) **Date of Patent:** **** Mar. 31, 2009**

(54) **ELECTRIC ACTUATOR**

(75) Inventor: **Kazuhiro Iida**, Tsukubamirai (JP)

(73) Assignee: **SMC Corporation**, Chiyoda-ku, Tokyo (JP)

(**) Term: **14 Years**

(21) Appl. No.: **29/301,954**

(22) Filed: **Mar. 25, 2008**

Related U.S. Application Data

(63) Continuation of application No. 29/253,321, filed on Feb. 3, 2006, now abandoned.

(30) **Foreign Application Priority Data**

Aug. 29, 2005 (JP) 2005-024887

(51) **LOC (9) Cl.** **13-03**

(52) **U.S. Cl.** **D13/158; D13/166**

(58) **Field of Classification Search** D13/158,
D13/166, 170, 174, 183, 184, 199; 439/717,
439/721, 725; D15/143, 199, 5, 7; 474/148;
74/89

See application file for complete search history.

(56) **References Cited**

U.S. PATENT DOCUMENTS

D303,393	S	*	9/1989	Stoll	D15/7
D317,922	S	*	7/1991	Toyoda et al.	D15/5
D329,434	S	*	9/1992	Toyoda et al.	D15/5
5,234,386	A	*	8/1993	Nagai et al.	474/148
D342,941	S	*	1/1994	Tannenbaum et al.	D13/183
D348,433	S	*	7/1994	Tochihara et al.	D13/158
D367,863	S	*	3/1996	Shiino et al.	D15/5
D375,508	S	*	11/1996	Shiino et al.	D15/143
D375,965	S	*	11/1996	Shiino et al.	D15/143

D378,513	S	*	3/1997	Bandas et al.	D13/183
5,735,174	A	*	4/1998	Enomoto	74/89.32
D399,491	S	*	10/1998	Nagai et al.	D13/158
D409,625	S	*	5/1999	Yonezawa et al.	D15/5
D412,917	S	*	8/1999	Nagai et al.	D15/199
D413,129	S	*	8/1999	Nagai et al.	D15/199
6,344,718	B1	*	2/2002	Nagai et al.	318/14
D456,826	S	*	5/2002	Nagai et al.	D15/143
D458,284	S	*	6/2002	Landerholm et al.	D15/143
D497,620	S	*	10/2004	Morton	D15/7
D523,880	S	*	6/2006	Christensen et al.	D15/143
D524,335	S	*	7/2006	Klinke et al.	D15/143
D534,560	S	*	1/2007	Klinke et al.	D15/143
2003/0000322	A1	*	1/2003	Nagai et al.	74/89.36
2003/0217610	A1	*	11/2003	Nagai et al.	74/89.2
2005/0011291	A1	*	1/2005	Nagai et al.	74/89.32
2005/0054468	A1	*	3/2005	Nagai et al.	474/148

* cited by examiner

Primary Examiner—Daniel D Bui

Assistant Examiner—Thomas J Johannes

(74) *Attorney, Agent, or Firm*—Yokoi & Co., U.S.A., Inc.; Peter Ganjian

(57) **CLAIM**

The ornamental design for an electric actuator, as shown and described.

DESCRIPTION

FIG. 1 shows a front view of an electric actuator showing my new design;

FIG. 2 shows a top view thereof;

FIG. 3 shows a bottom view thereof;

FIG. 4 shows a left side view thereof;

FIG. 5 shows a right side view thereof; and,

FIG. 6 shows a top, front and left side perspective view thereof.

1 Claim, 5 Drawing Sheets

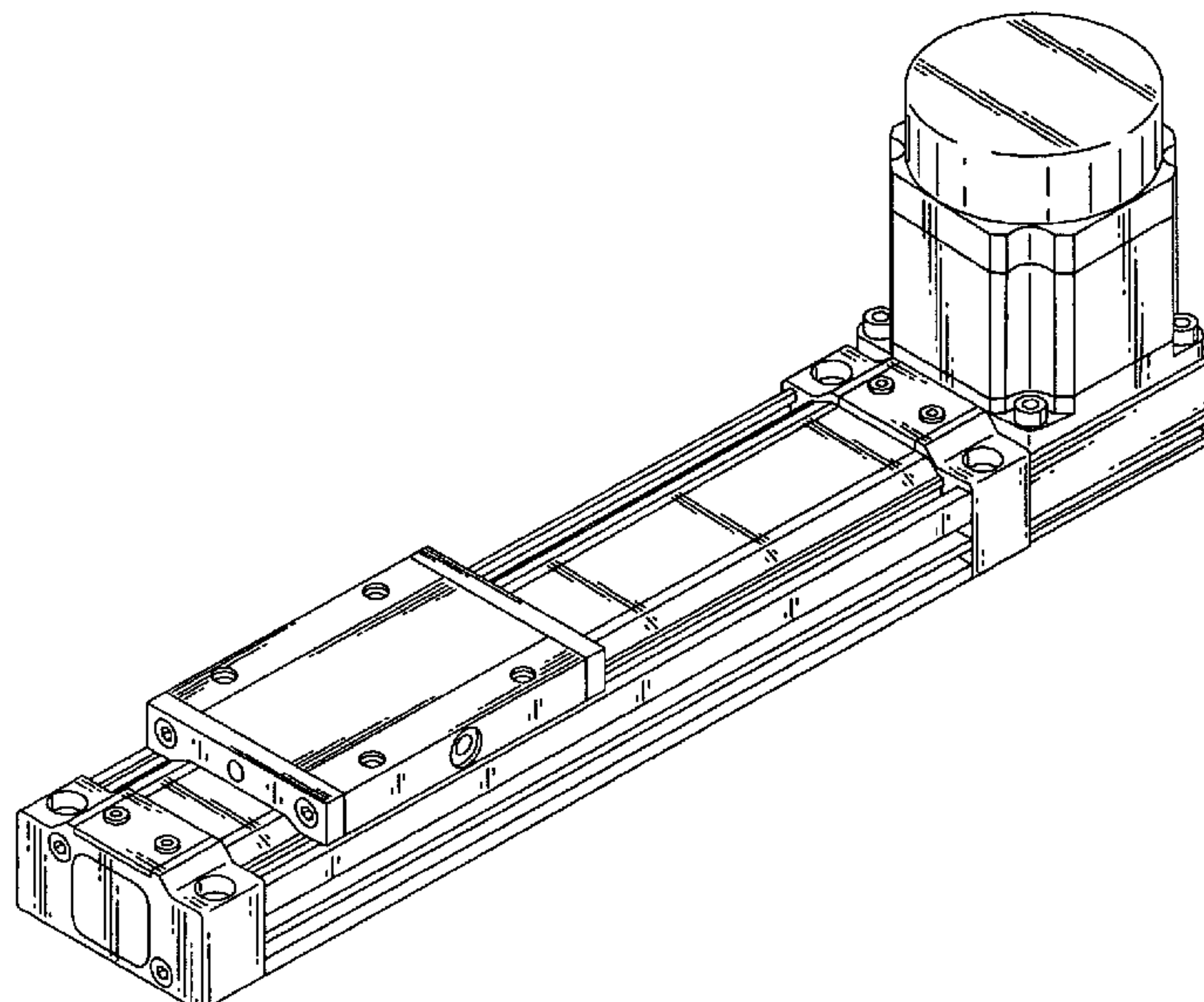


FIG. 1

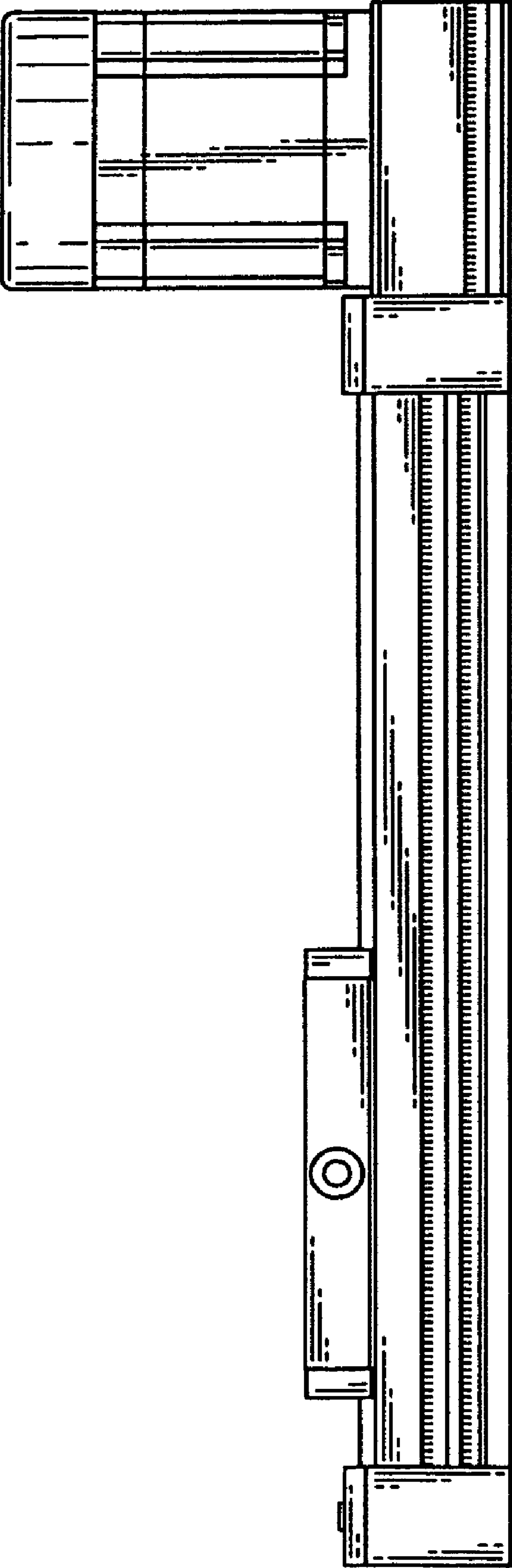


FIG. 2

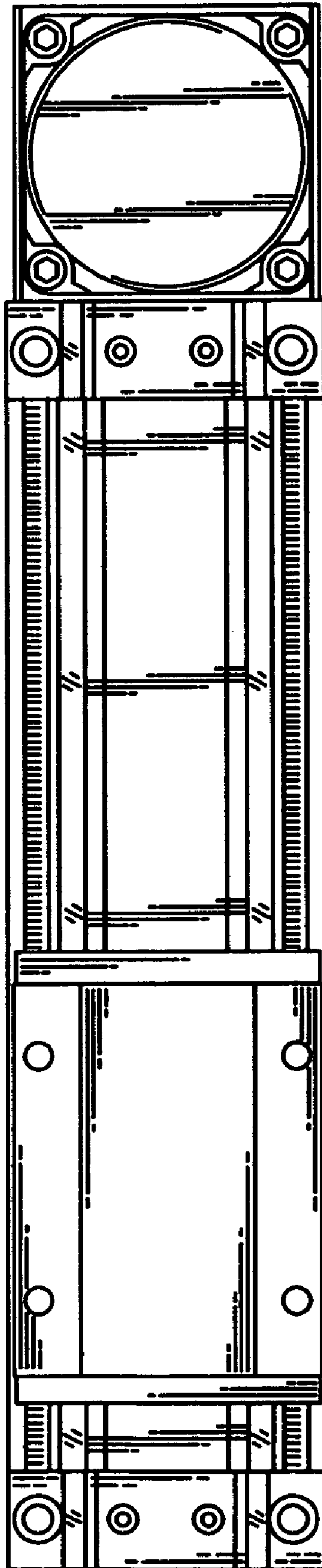


FIG. 3

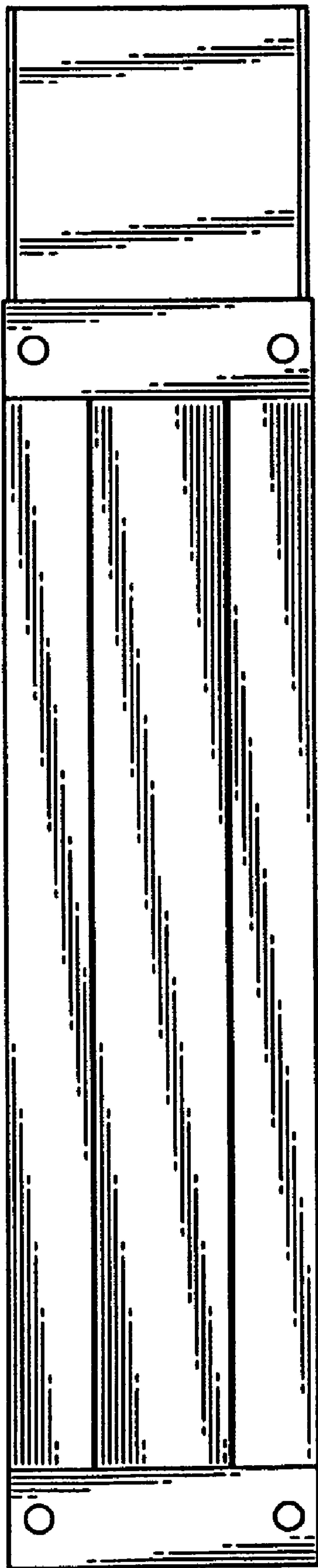


FIG. 4

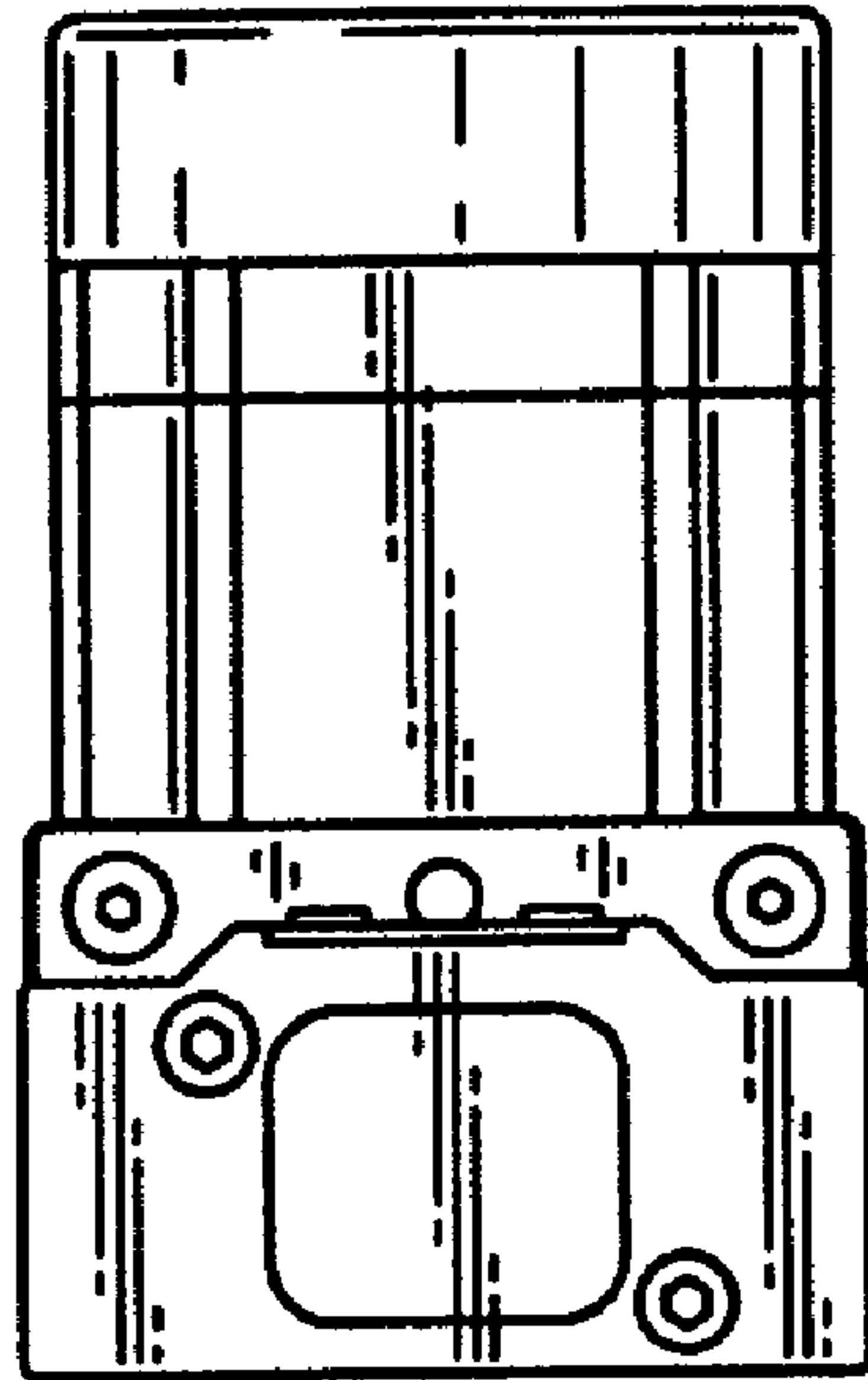


FIG. 5

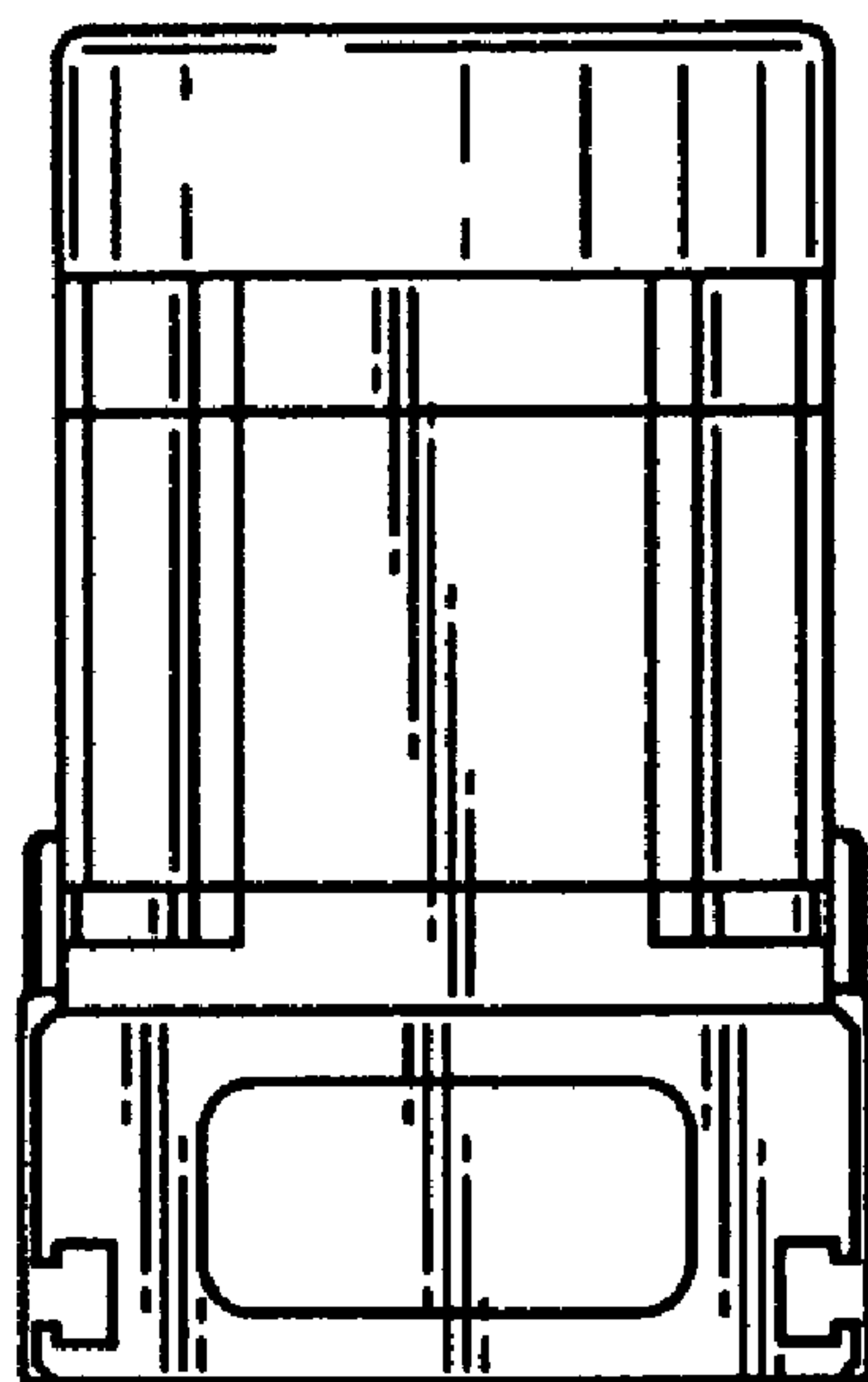


FIG. 6

