



US00D589457S

(12) **United States Design Patent**  
**Capaldi-Tallon**

(10) **Patent No.:** **US D589,457 S**

(45) **Date of Patent:** **\*\* Mar. 31, 2009**

(54) **ELECTRICAL TERMINAL BLOCK**

(76) **Inventor:** **Alan Capaldi-Tallon**, 10 Salterns Close,  
Hayling Island PO11 9PL (GB)

(\*\*) **Term:** **14 Years**

(21) **Appl. No.:** **29/289,889**

(22) **Filed:** **Aug. 6, 2007**

(51) **LOC (9) Cl.** ..... **13-03**

(52) **U.S. Cl.** ..... **D13/154**

(58) **Field of Classification Search** ..... D13/133,  
D13/146, 147, 154, 184, 199; D14/256;  
174/59; 439/402, 413, 488, 516, 521, 709,  
439/721, 723

See application file for complete search history.

(56) **References Cited**

**U.S. PATENT DOCUMENTS**

D321,683 S	11/1991	Marach	.....	D13/173
D345,729 S	4/1994	Dickens et al.	.....	D13/147
D366,456 S	1/1996	Rodriguez et al.	.....	D13/147
D449,282 S	10/2001	Kramer	.....	D13/199
6,452,098 B1	9/2002	Gretz	.....	174/59
D472,877 S	4/2003	Jaag	.....	D13/133
D570,783 S	6/2008	So	.....	D13/147
2003/0094299 A1	5/2003	Lee	.....	174/59

*Primary Examiner*—Daniel D Bui

*Assistant Examiner*—Thomas J Johannes

(74) *Attorney, Agent, or Firm*—Patti, Hewitt & Arezina LLC

(57) **CLAIM**

The ornamental design for an “electrical terminal block,” as shown and described.

**DESCRIPTION**

FIG. 1 is a perspective view of the top of an electrical terminal block showing my new design.

FIG. 2 is a perspective view of the bottom thereof.

FIG. 3 is a front elevation view thereof.

FIG. 4 is a right elevation view thereof.

FIG. 5 is a bottom plan view thereof.

FIG. 6 is a perspective view of the top of an electrical terminal block showing my new design with an alternate usage environment.

FIG. 7 is a perspective view of the bottom thereof.

FIG. 8 is a front elevation view thereof; and,

FIG. 9 is a right elevation view thereof.

The broken lines shown are for illustrative purposes only and form no part of the claimed design.

**1 Claim, 6 Drawing Sheets**

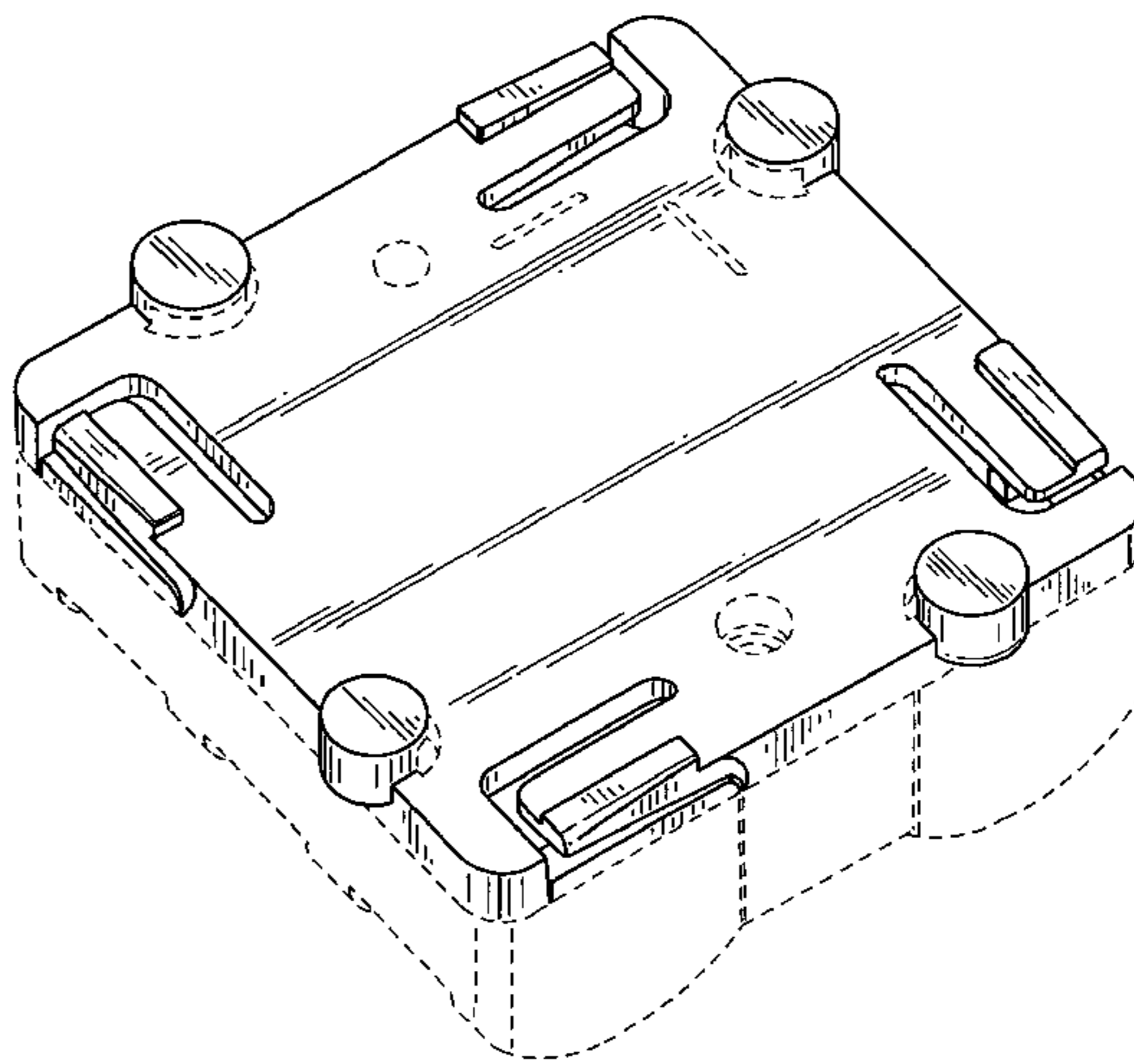
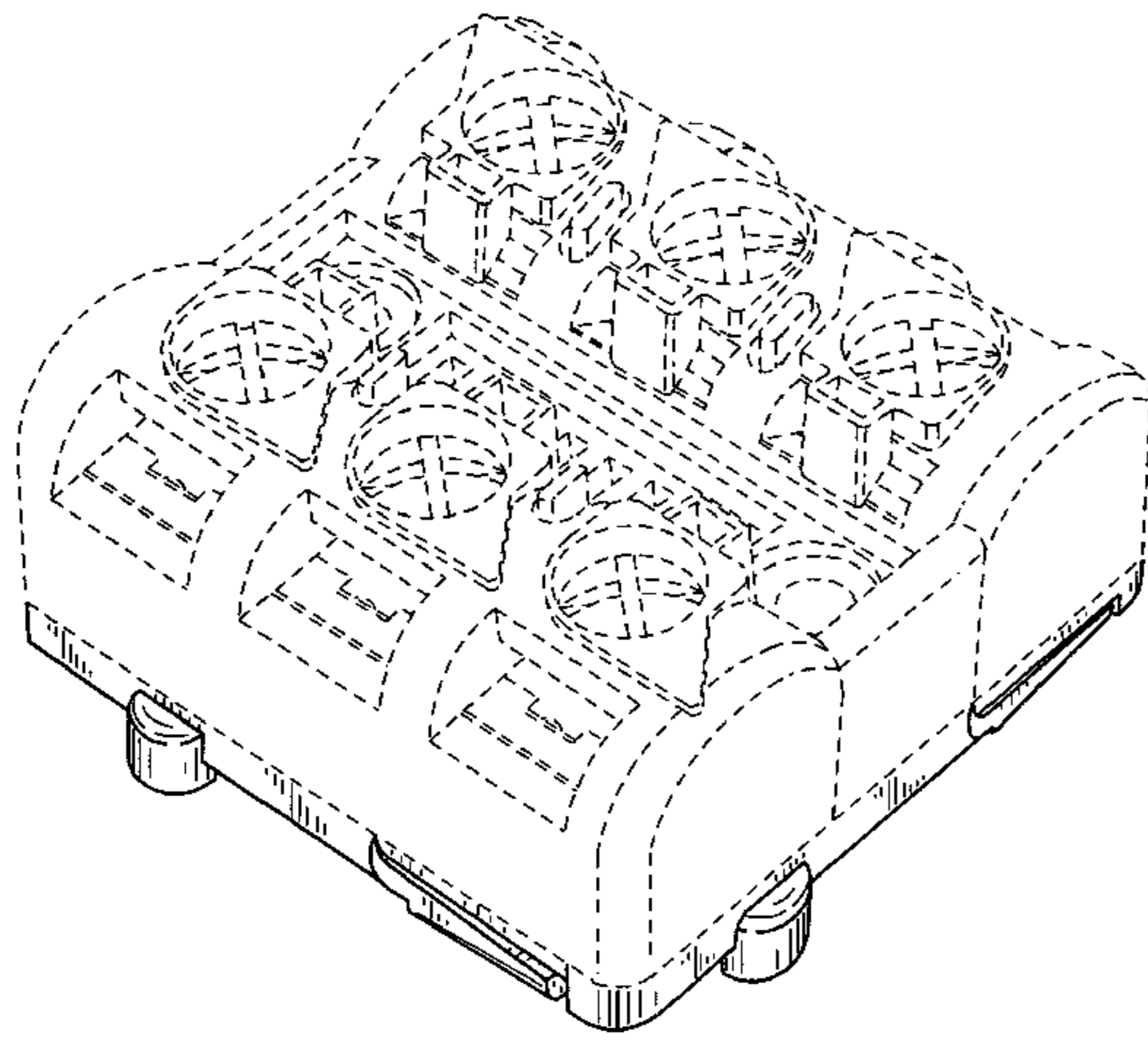


FIG. 1

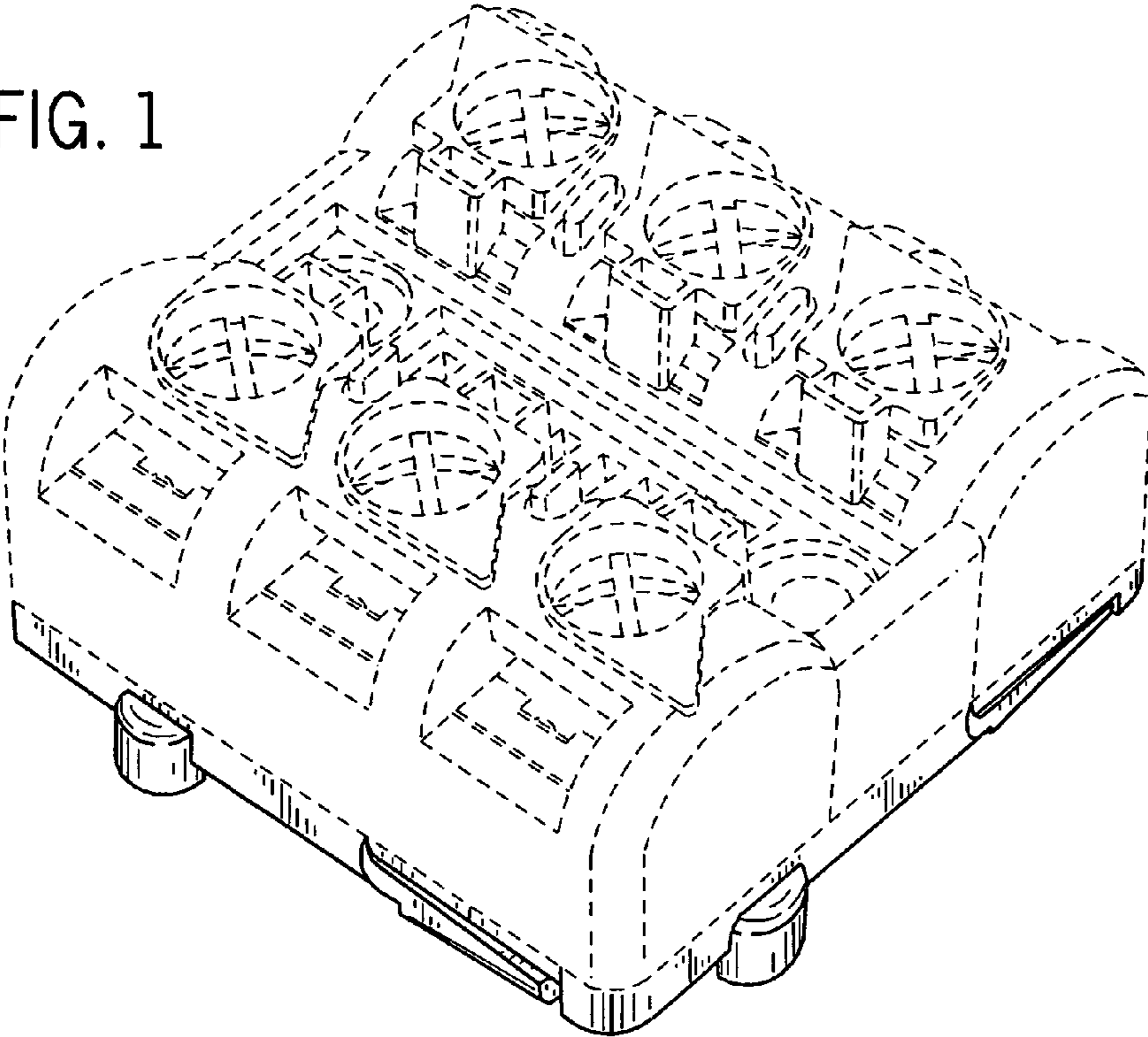
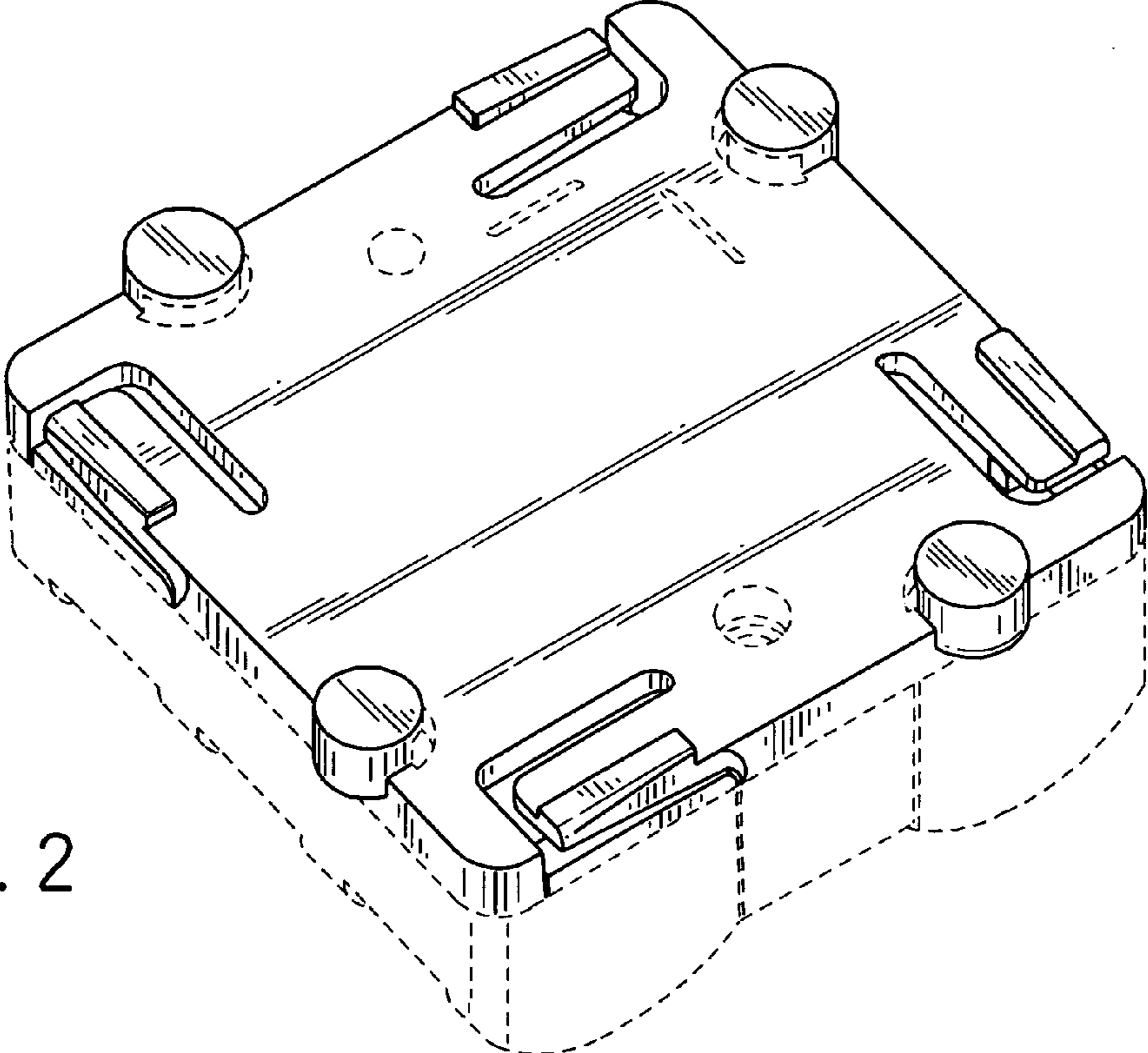


FIG. 2



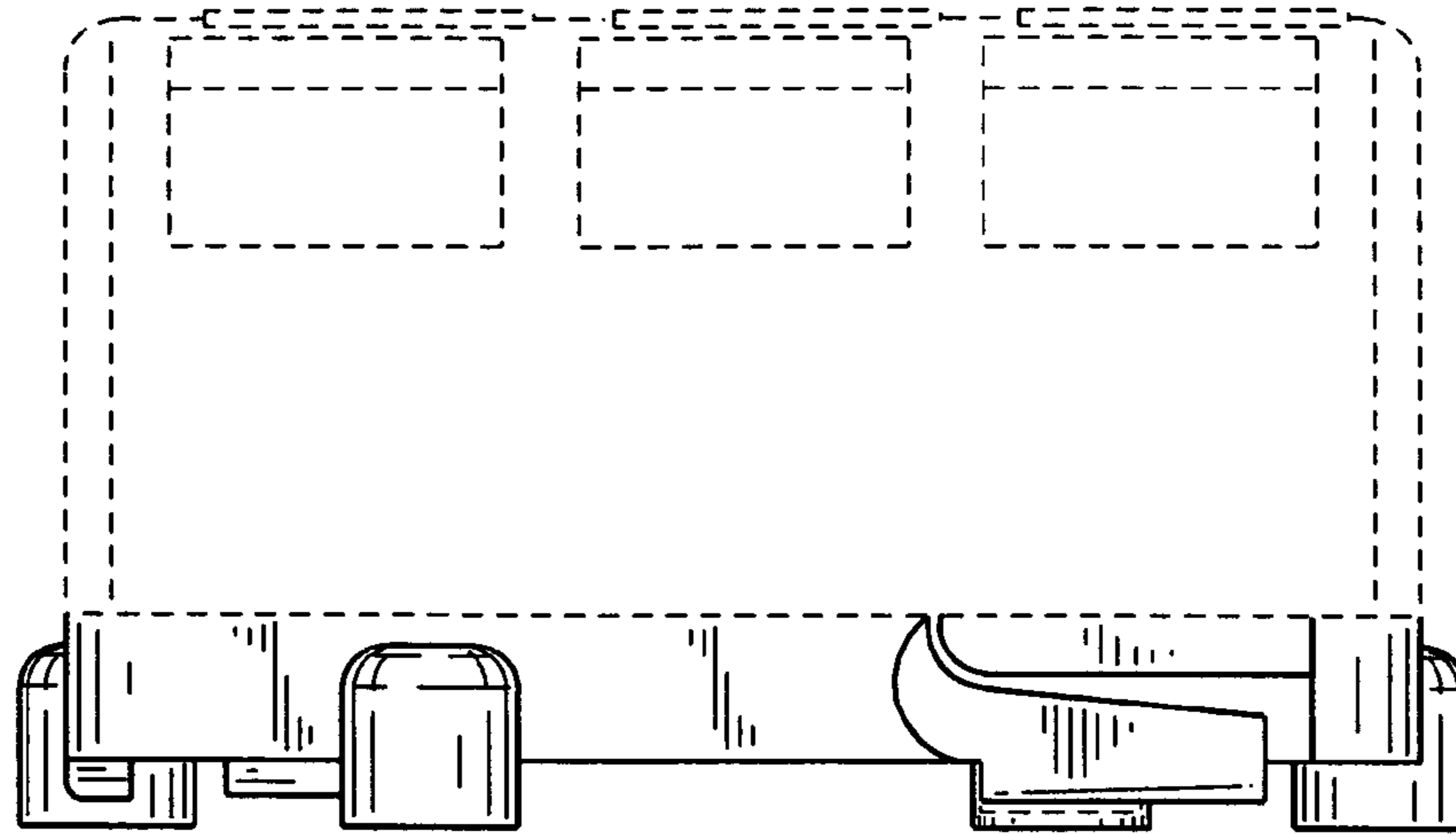


FIG. 3

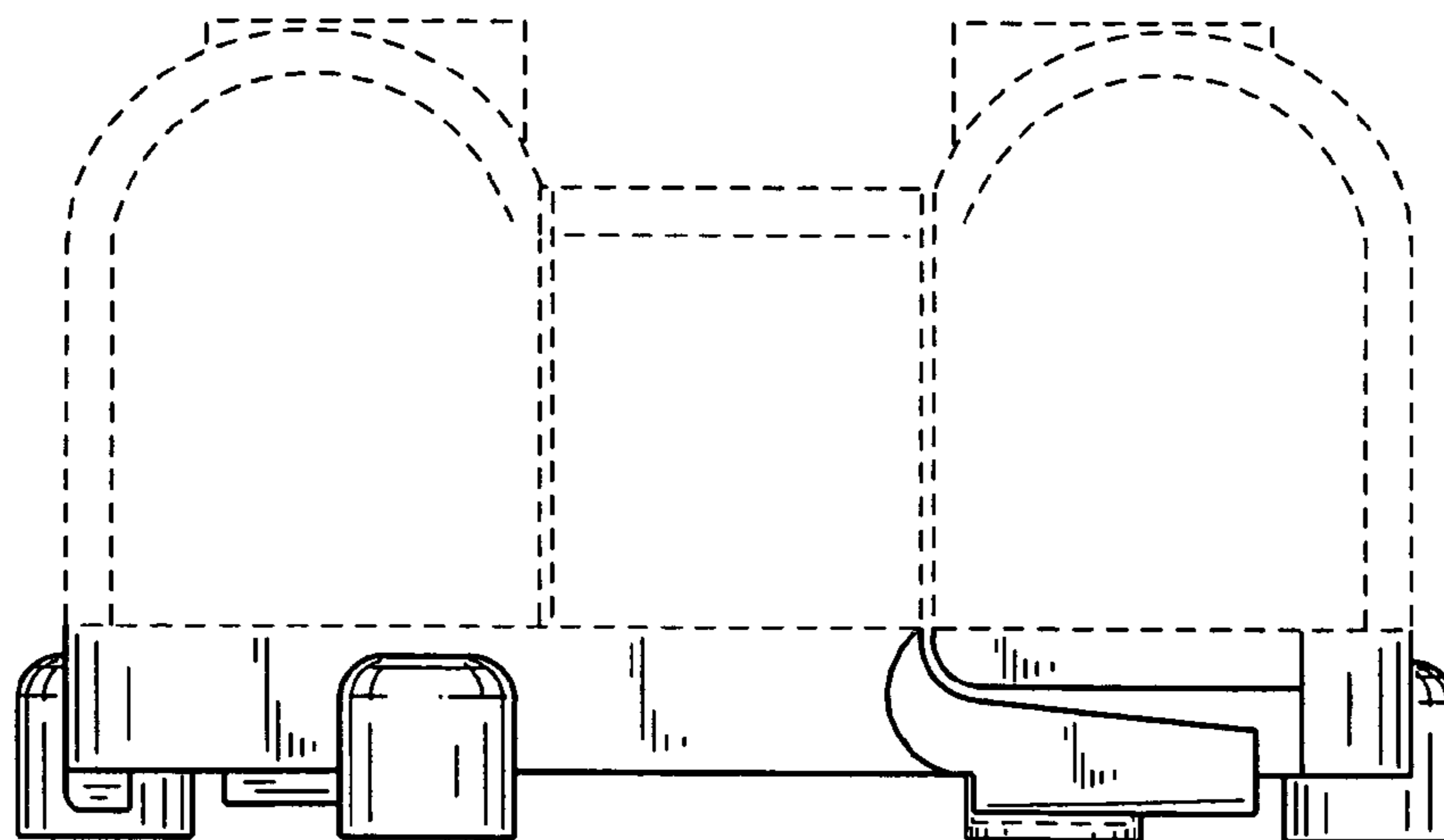


FIG. 4

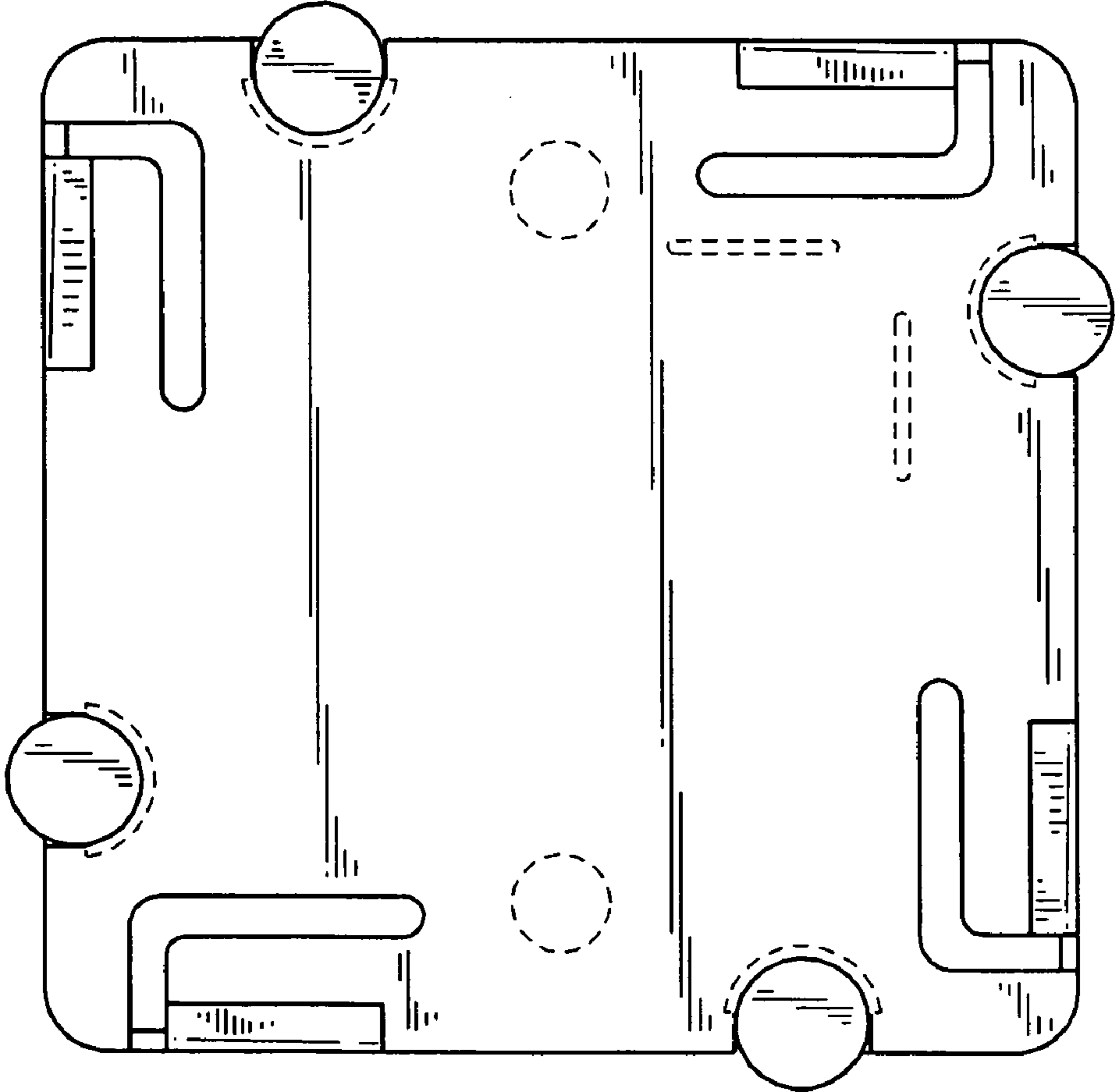


FIG. 5

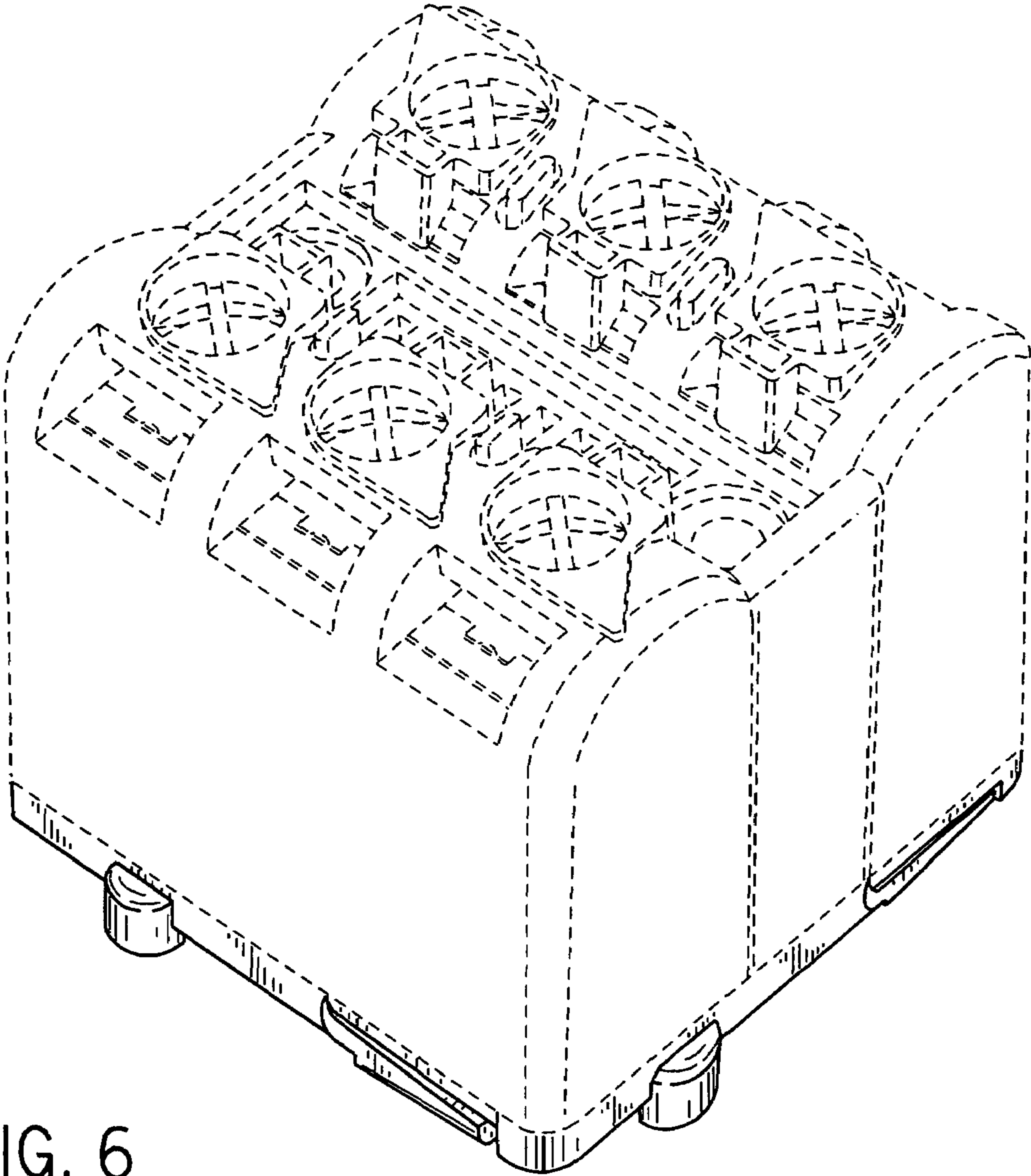


FIG. 6

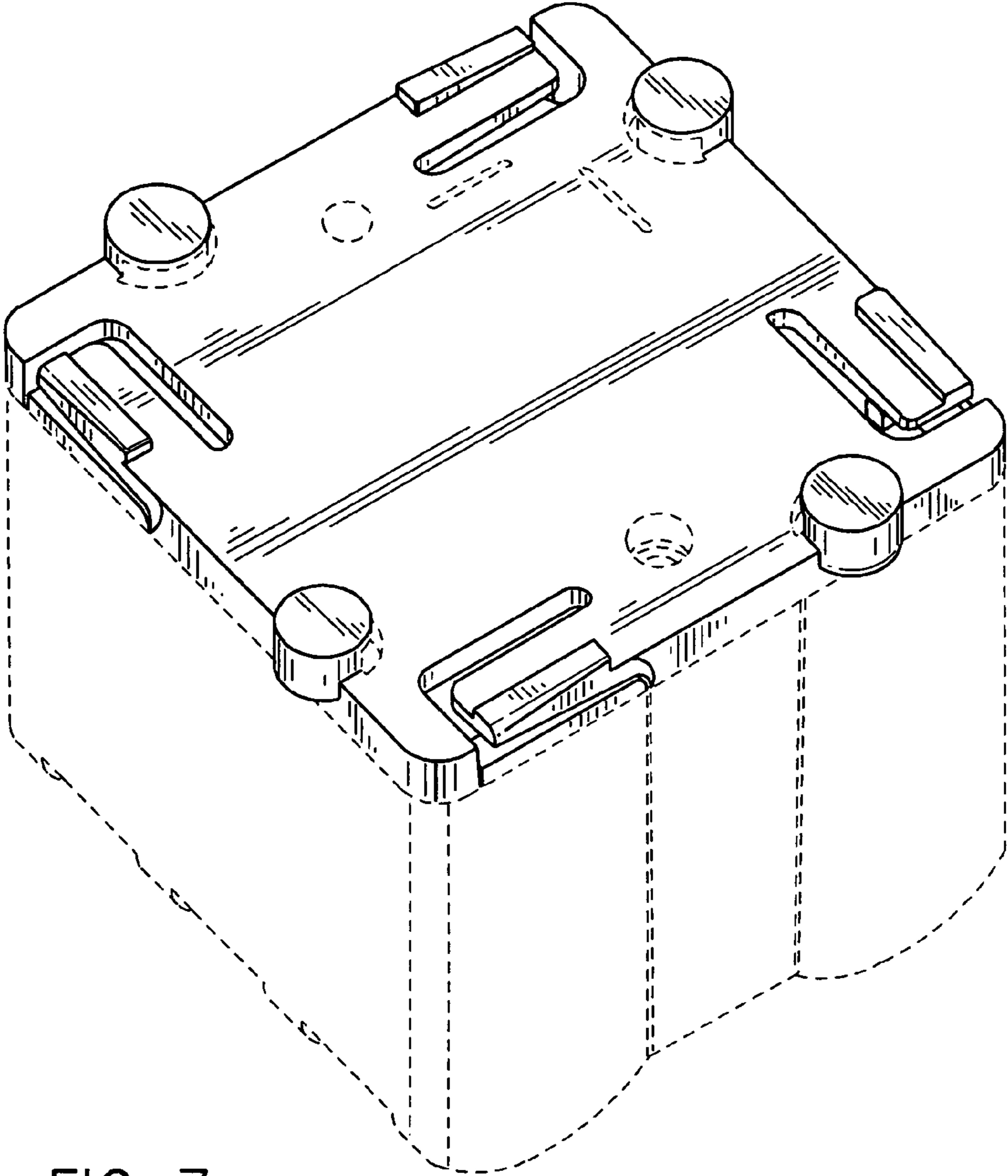


FIG. 7

FIG. 8

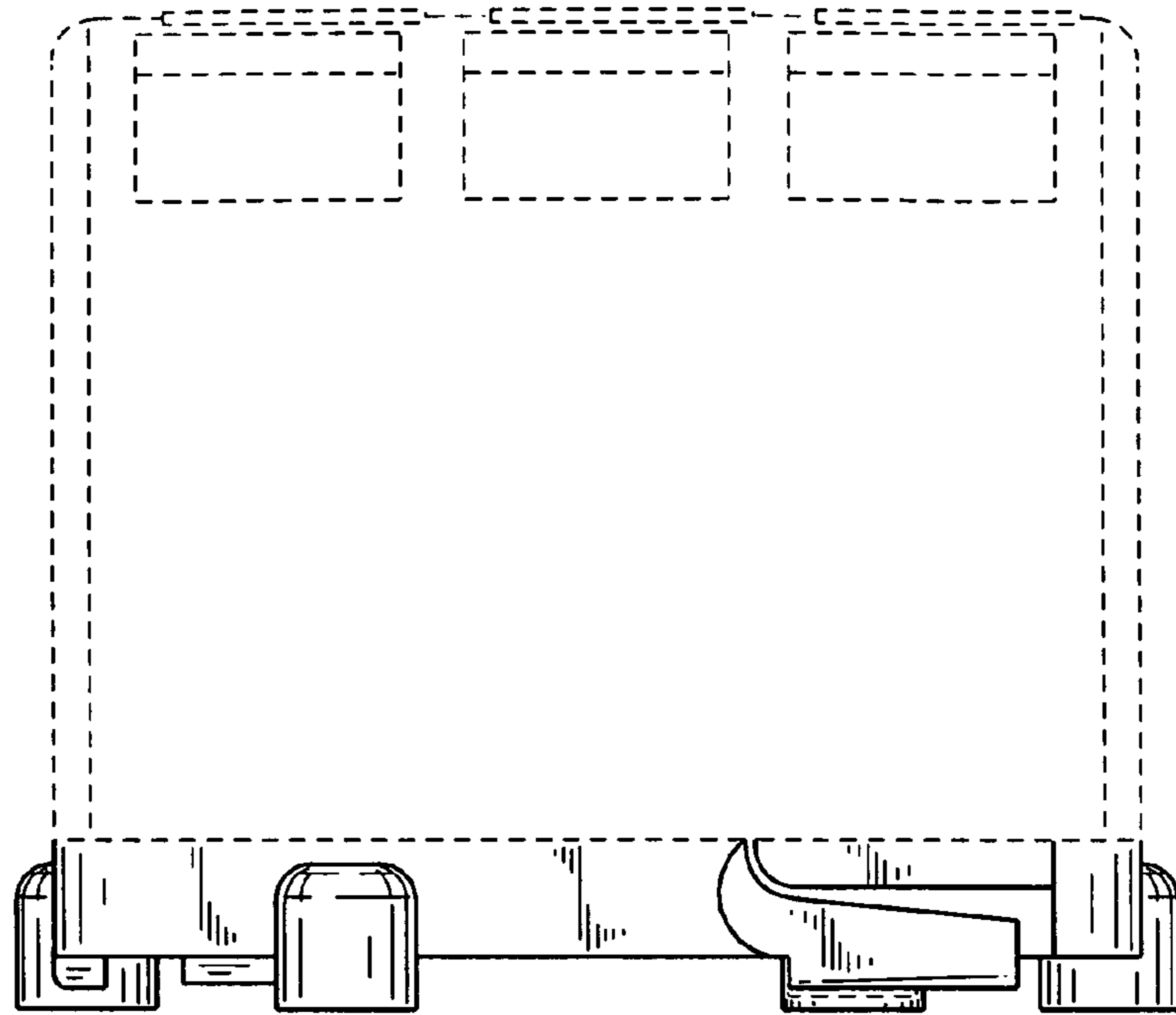


FIG. 9

