



US00D589456S

(12) **United States Design Patent**  
**Puluc et al.**

(10) **Patent No.:** **US D589,456 S**  
(45) **Date of Patent:** **\*\* Mar. 31, 2009**

(54) **ELECTRICAL JUNCTION BOX**

(75) Inventors: **Oscar A. Puluc**, Downey, CA (US);  
**Patrick E. Lewis**, Tustin, CA (US);  
**John D. Jacobs**, Brea, CA (US); **Adam**  
**B. Bean**, Duarte, CA (US)

(73) Assignee: **R.A. Phillips Industries, Inc.**, Santa Fe  
Springs, CA (US)

(\*\*) Term: **14 Years**

(21) Appl. No.: **29/303,239**

(22) Filed: **Feb. 4, 2008**

(51) **LOC (9) Cl.** ..... **13-03**

(52) **U.S. Cl.** ..... **D13/152**

(58) **Field of Classification Search** ..... D12/139.4,  
D12/139.5, 152; 174/50, 53-55, 58, 60,  
174/66-67; 220/3.2, 3.3, 3.7-3.9, 241-242,  
220/244, 315; 439/135-136, 138, 142, 367,  
439/373, 535-537, 541, 892-893

See application file for complete search history.

(56) **References Cited**

**U.S. PATENT DOCUMENTS**

D497,878 S \* 11/2004 Koo ..... D13/152  
D531,129 S \* 10/2006 Muto ..... D13/152  
D532,380 S \* 11/2006 Castaldo et al. .... D13/152  
D554,590 S \* 11/2007 Vasarhelyi et al. .... D13/152

D556,145 S \* 11/2007 Williams et al. .... D13/152  
D560,170 S \* 1/2008 Ni ..... D13/152  
D563,895 S \* 3/2008 Stuckmann et al. .... D13/152  
D578,484 S \* 10/2008 Lannoch ..... D13/152  
D579,417 S \* 10/2008 Stuckmann et al. .... D13/152

\* cited by examiner

*Primary Examiner*—Brian N Vinson

(74) *Attorney, Agent, or Firm*—Jones Day

(57) **CLAIM**

The ornamental design for an electrical junction box, as shown and described.

**DESCRIPTION**

FIG. 1 is a perspective view of a electrical junction box embodying the ornamental design of the present invention.

FIG. 2 is a front view thereof.

FIG. 3 is a top view thereof.

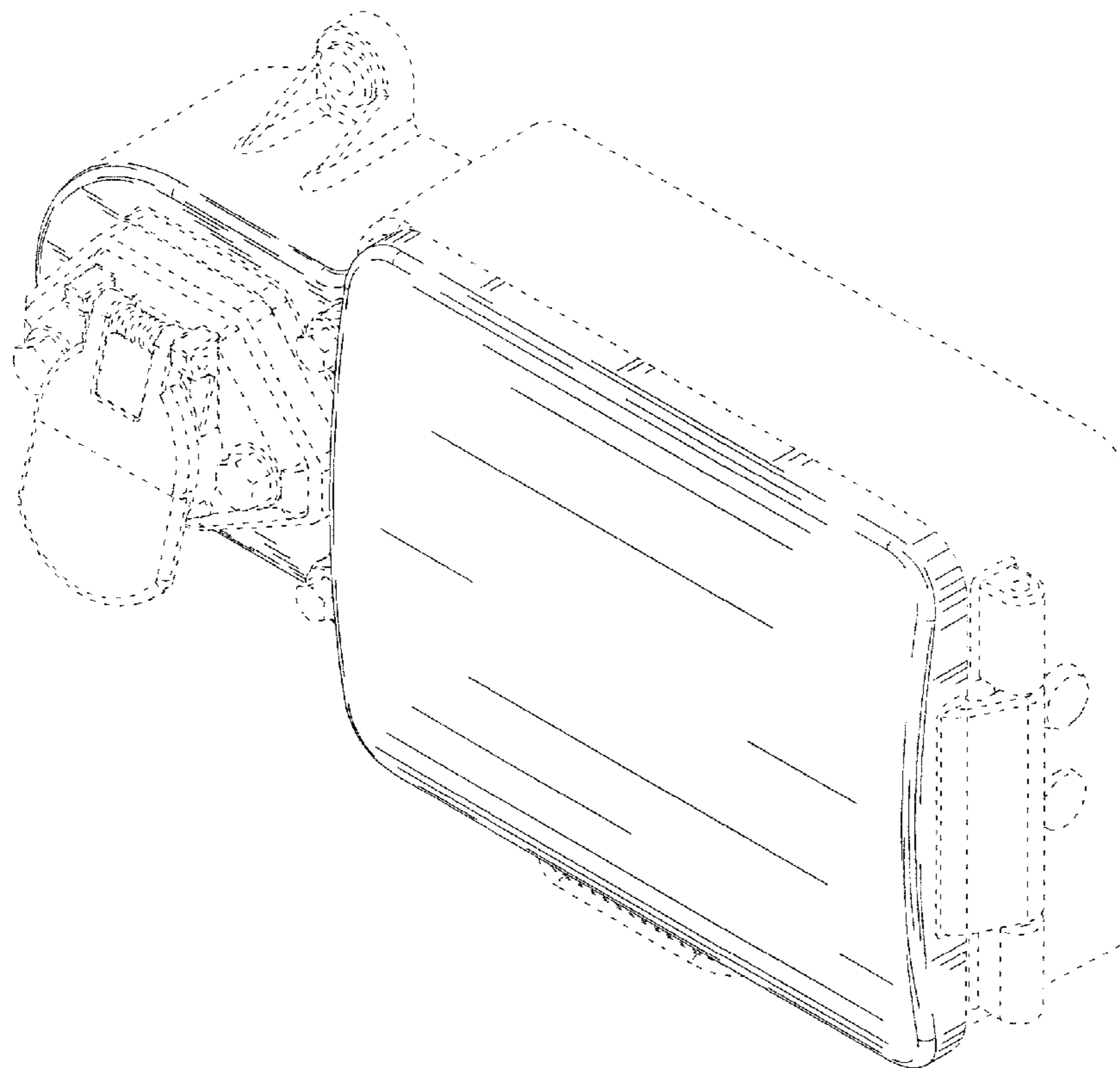
FIG. 4 is a bottom view thereof.

FIG. 5 is a left side view thereof; and,

FIG. 6 is a right side view thereof.

The broken-line disclosure in the views is understood to be for illustrative purposes only and forms no part of the claimed design, and where broken lines abut a claimed surface, the broken-line is understood to represent an unclaimed boundary between claimed and unclaimed surfaces.

**1 Claim, 4 Drawing Sheets**



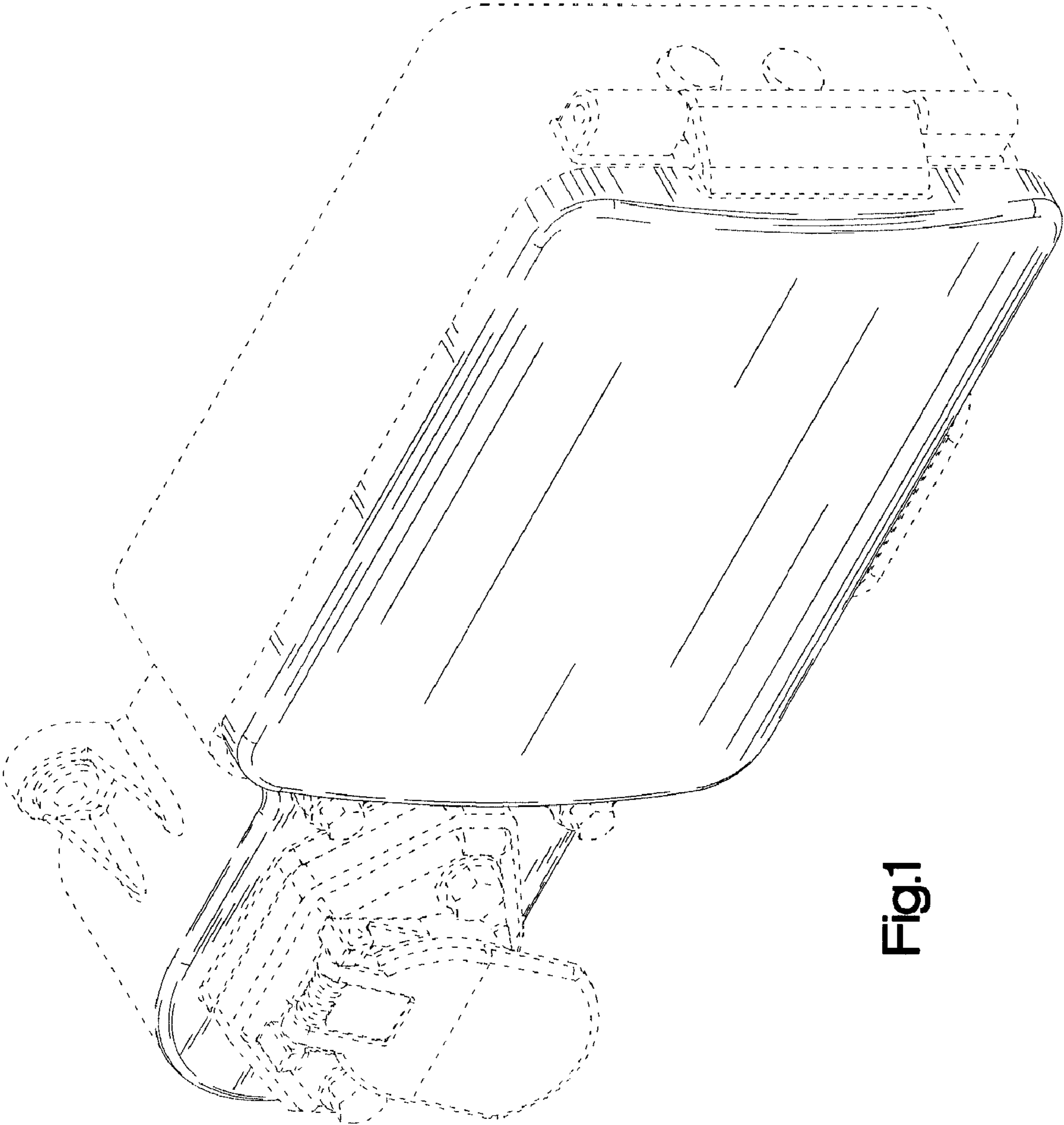


Fig.1

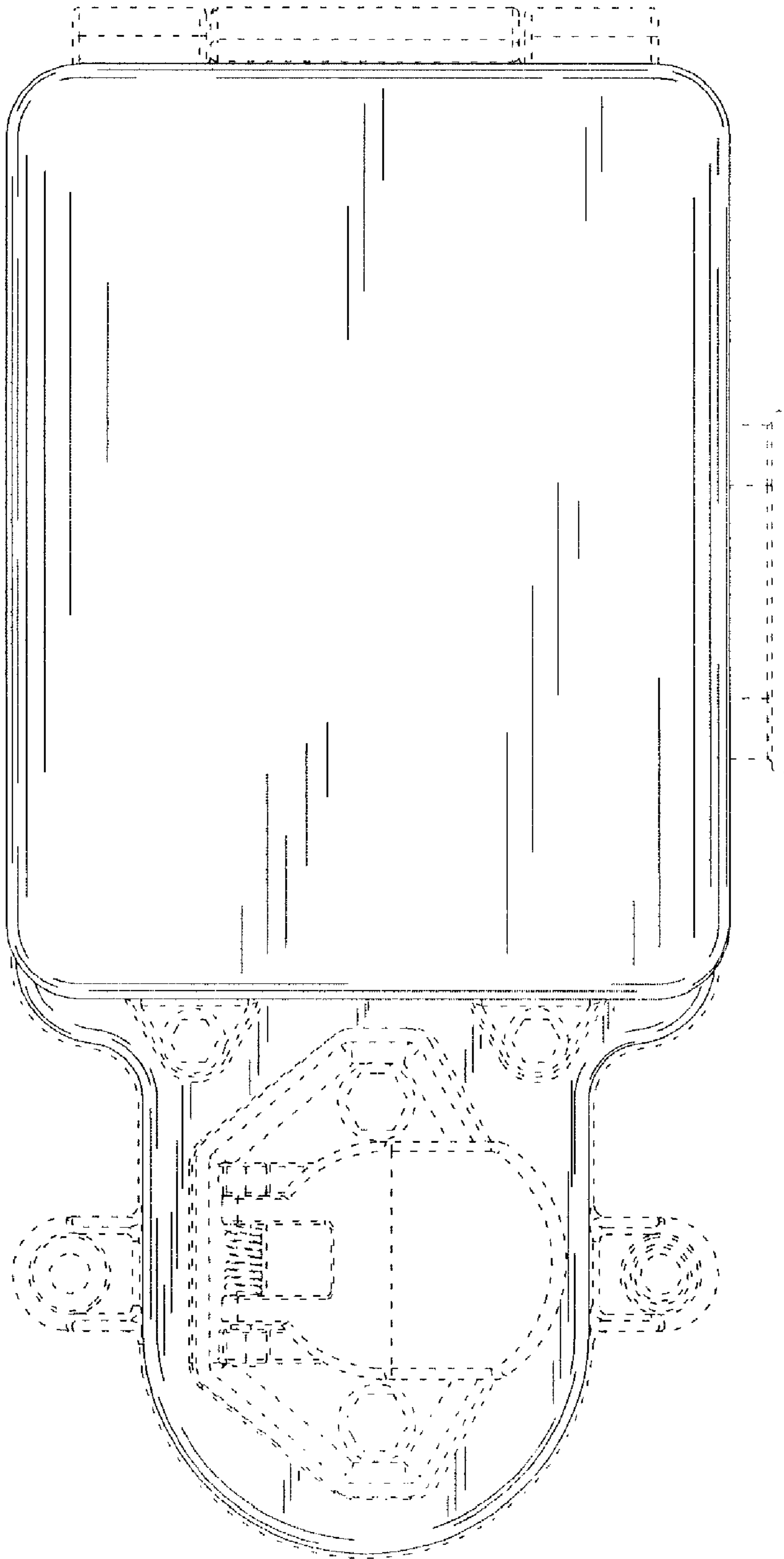


Fig.2

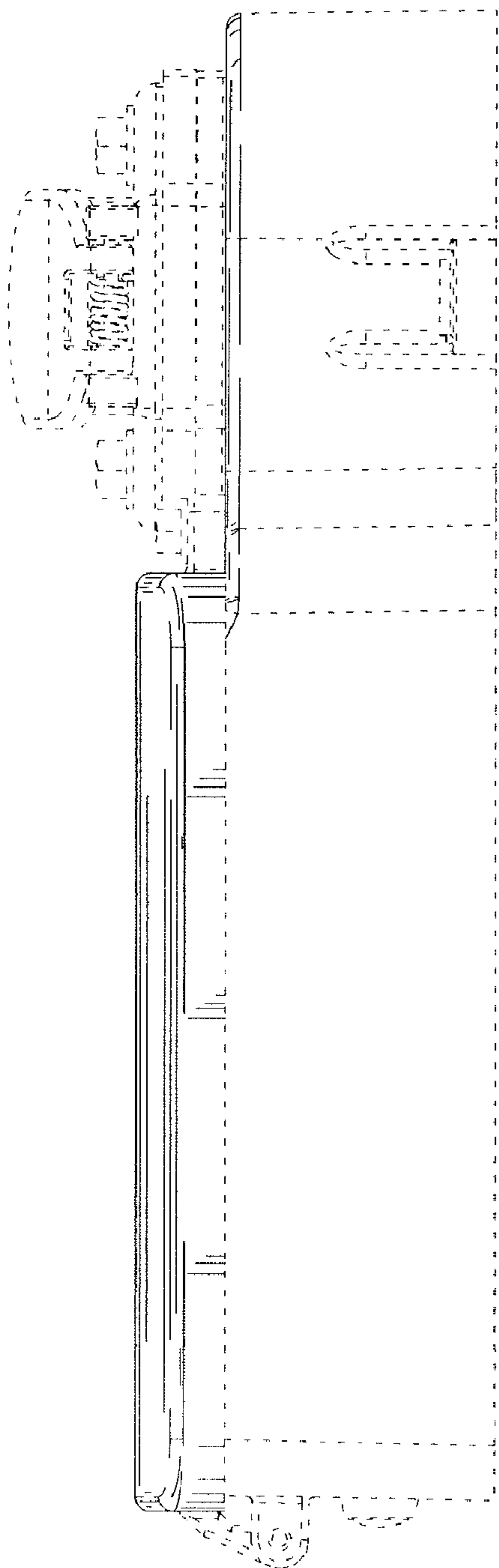


Fig.3

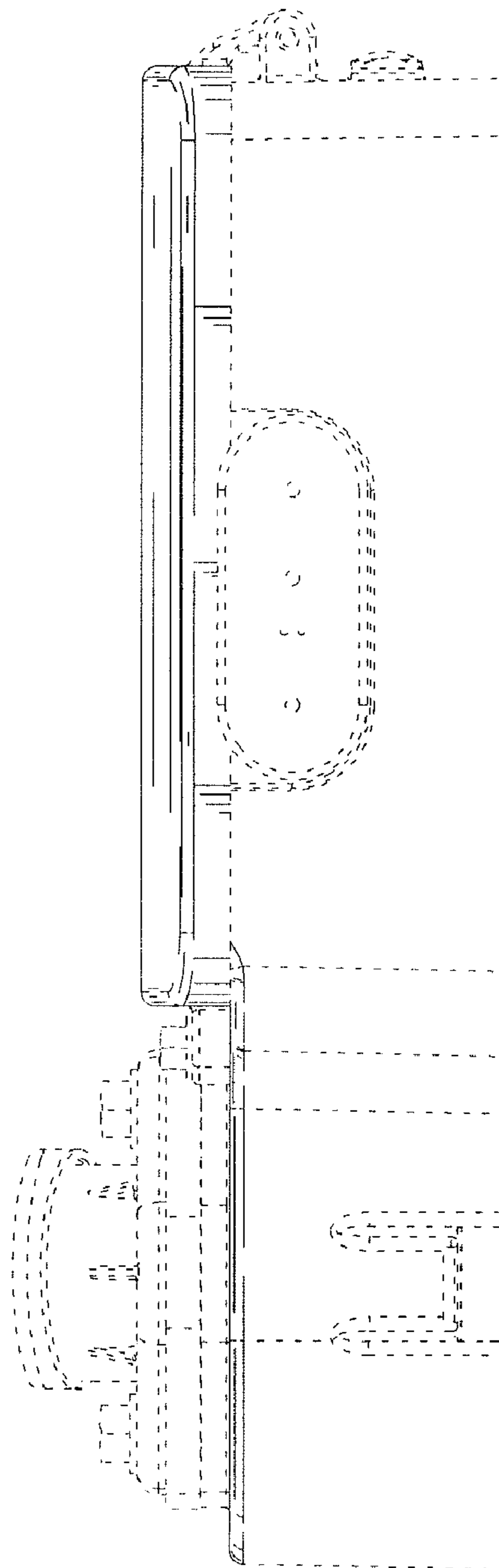


Fig.4

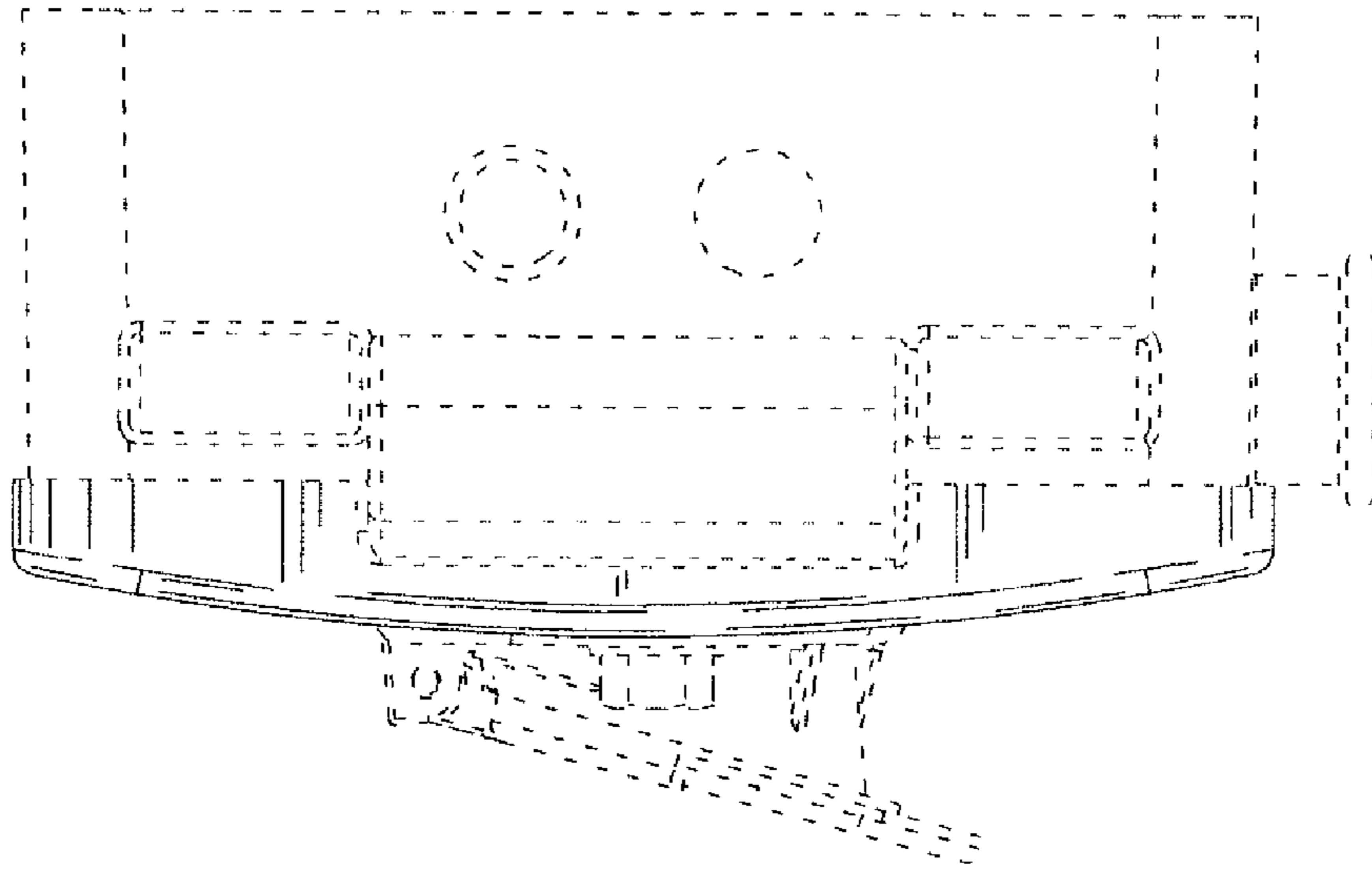


Fig.6

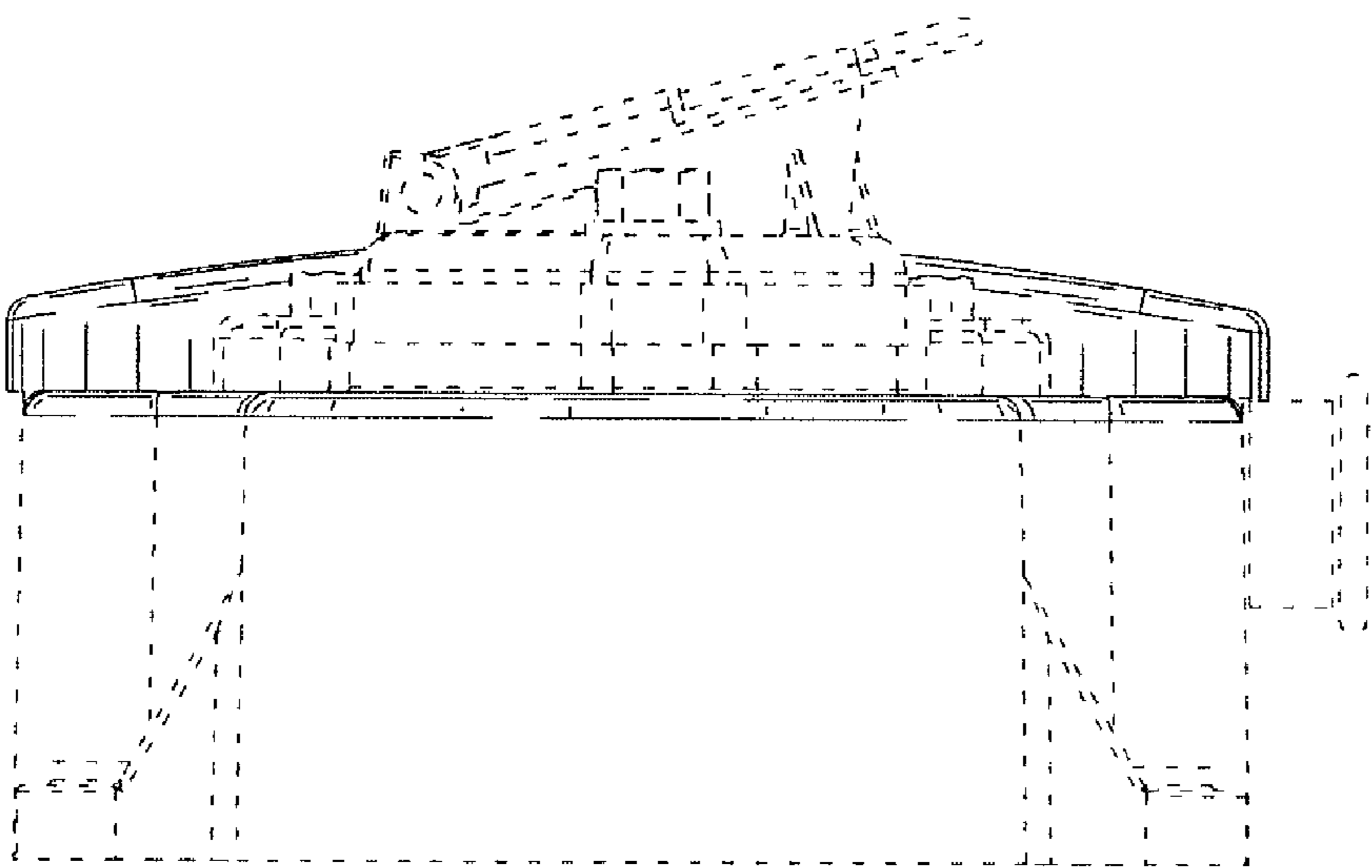


Fig.5