



US00D589455S

(12) **United States Design Patent**  
**Wu et al.**

(10) **Patent No.:** **US D589,455 S**

(45) **Date of Patent:** **\*\* Mar. 31, 2009**

(54) **ELECTRONIC ADAPTOR**

(75) Inventors: **Xiao-Gang Wu**, KunShan (CN);  
**Ping-Sheng Su**, TuCheng (TW)

(73) Assignee: **Hon Hai Precision Ind. Co., Ltd.**,  
Taipei Hsien (TW)

(\*\*) Term: **14 Years**

(21) Appl. No.: **29/312,091**

(22) Filed: **Sep. 29, 2008**

(30) **Foreign Application Priority Data**

Jun. 11, 2008 (CN) ..... 2008 3 0300816

(51) **LOC (9) Cl.** ..... **13-03**

(52) **U.S. Cl.** ..... **D13/147**

(58) **Field of Classification Search** ..... D13/133,  
D13/146-147, 153, 154, 184; 439/79, 83,  
439/108, 607-610, 660, 668, 680, 686  
See application file for complete search history.

(56) **References Cited**

**U.S. PATENT DOCUMENTS**

D340,241 S \* 10/1993 Nakamura ..... D13/146  
5,267,882 A \* 12/1993 Davis ..... 439/680  
5,785,557 A \* 7/1998 Davis ..... 439/660

D406,563 S \* 3/1999 Kuo ..... D13/147  
D429,484 S \* 8/2000 Nishio et al. .... D13/147  
D491,894 S \* 6/2004 Jiang ..... D13/147  
D518,790 S \* 4/2006 Nishio et al. .... D13/147  
D544,479 S \* 6/2007 Chen ..... D14/356

\* cited by examiner

*Primary Examiner*—Daniel D Bui

(74) *Attorney, Agent, or Firm*—Wei Te Chung

(57) **CLAIM**

The ornamental design for an electronic adaptor, as shown described.

**DESCRIPTION**

FIG. 1 is a front, top and right side perspective view of an electronic adaptor, showing our new design;

FIG. 2 is a front elevation view thereof;

FIG. 3 is a rear elevation view thereof;

FIG. 4 is a left side elevation view thereof;

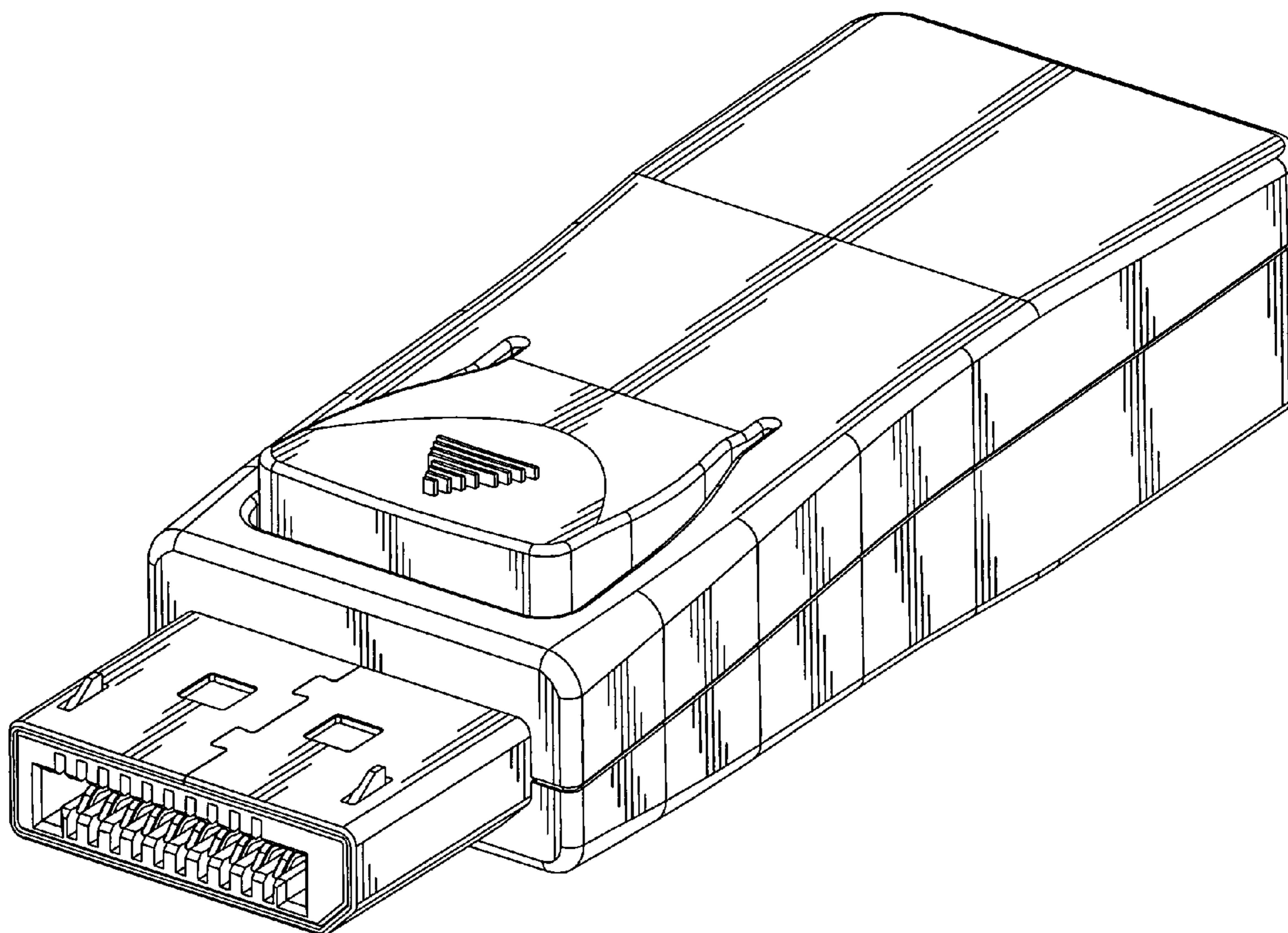
FIG. 5 is a right side elevation view thereof;

FIG. 6 is a top plan view thereof;

FIG. 7 is a bottom plan view thereof; and,

FIG. 8 is a rear, top and left side perspective view thereof.

**1 Claim, 8 Drawing Sheets**



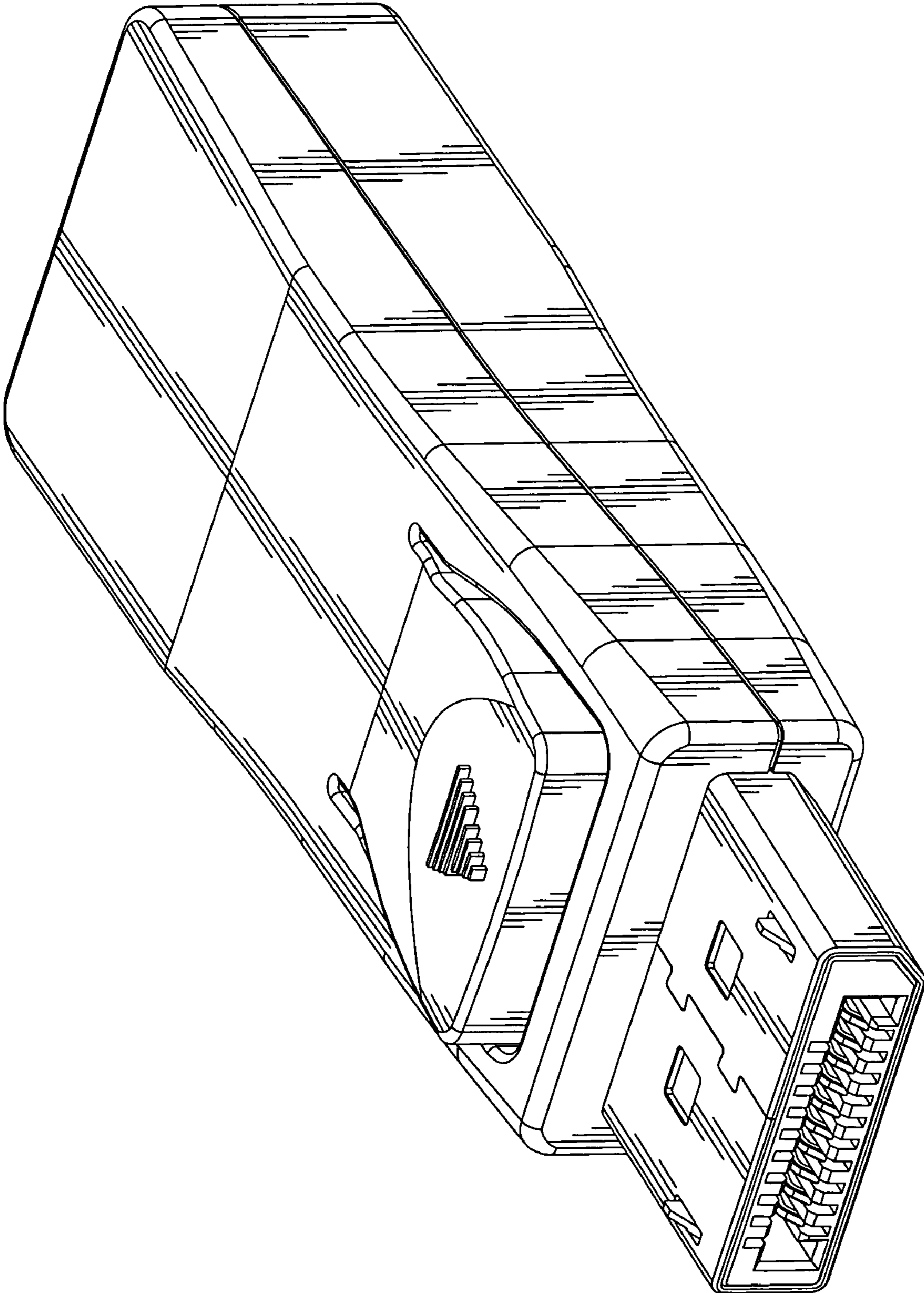


FIG. 1

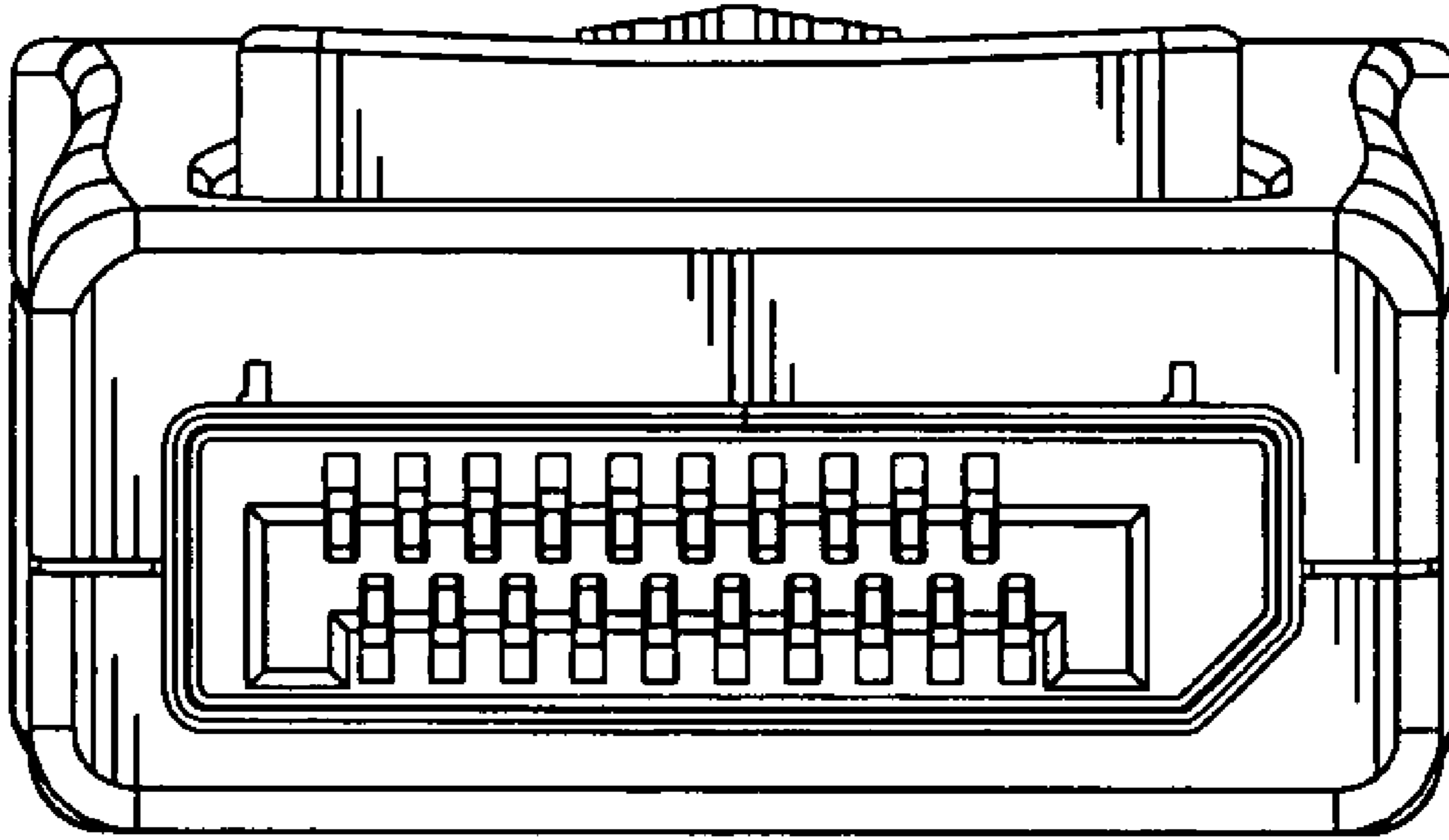


FIG. 2

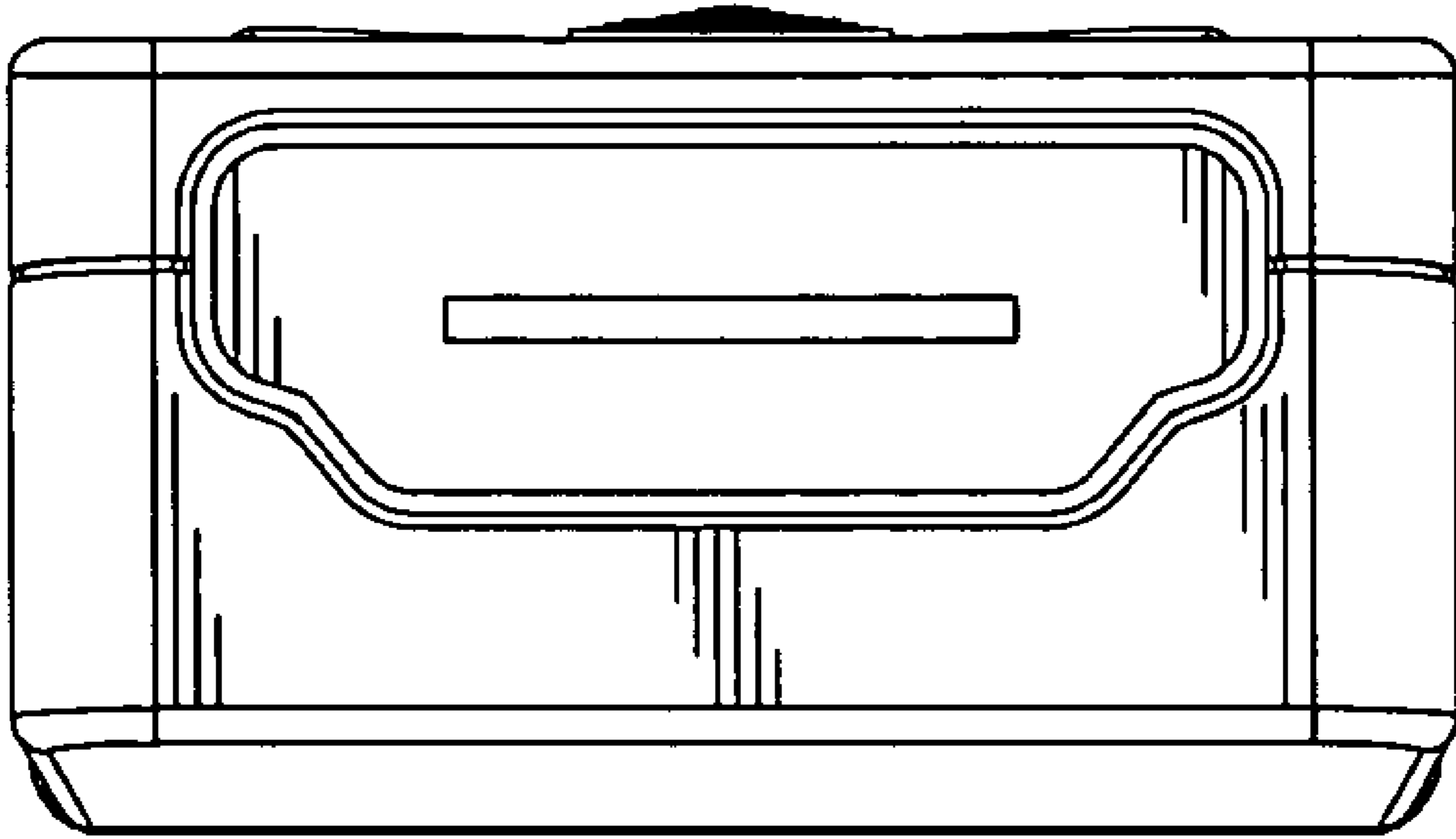


FIG. 3

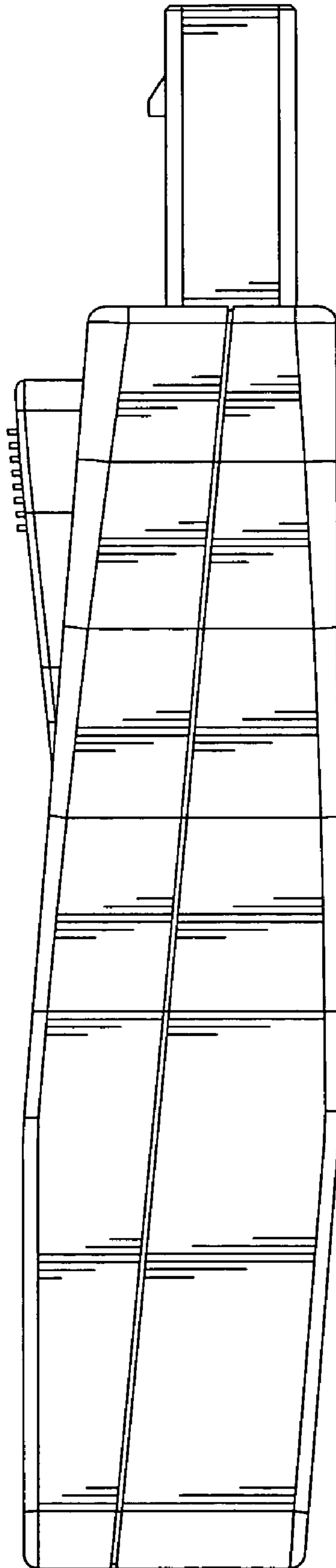


FIG. 4

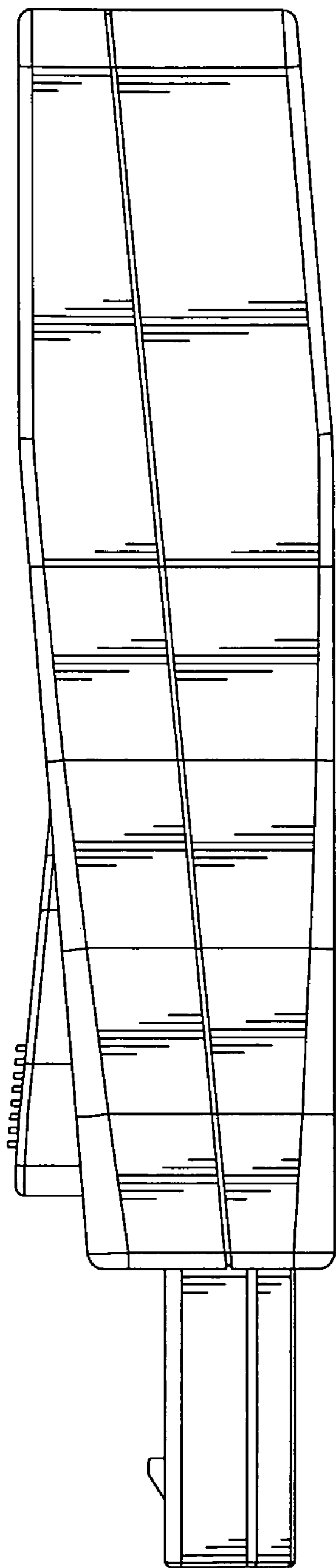


FIG. 5

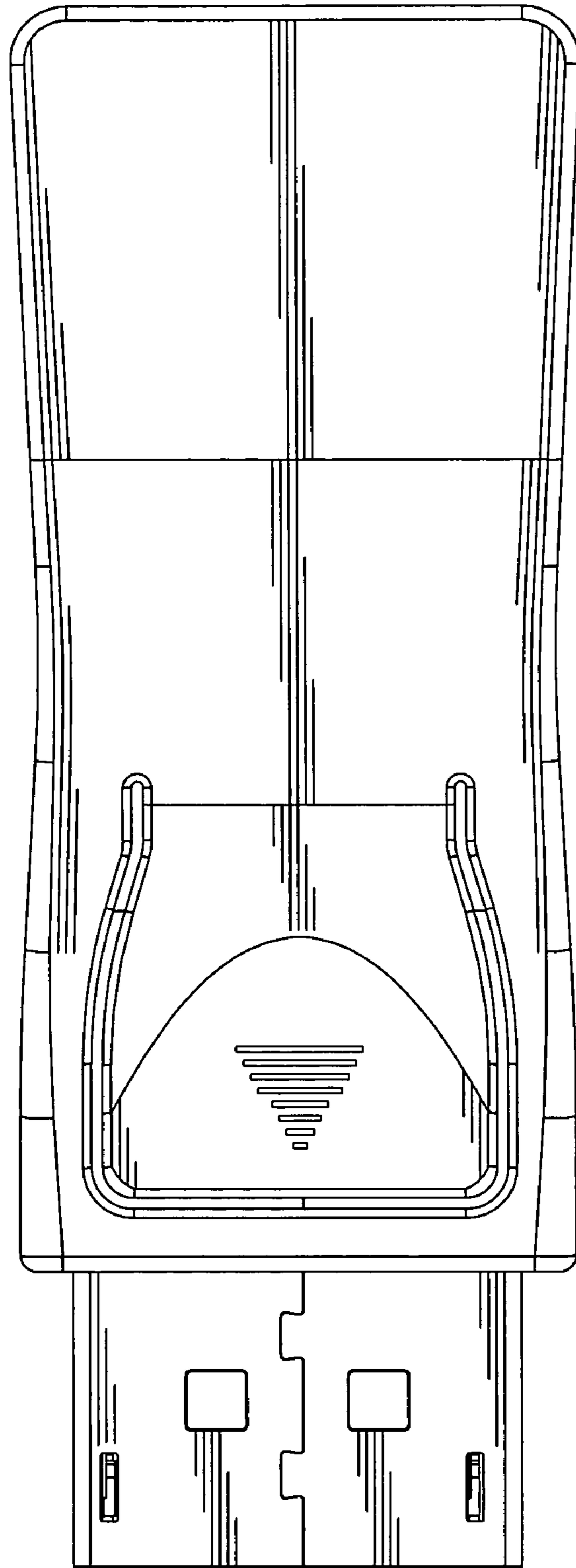


FIG. 6

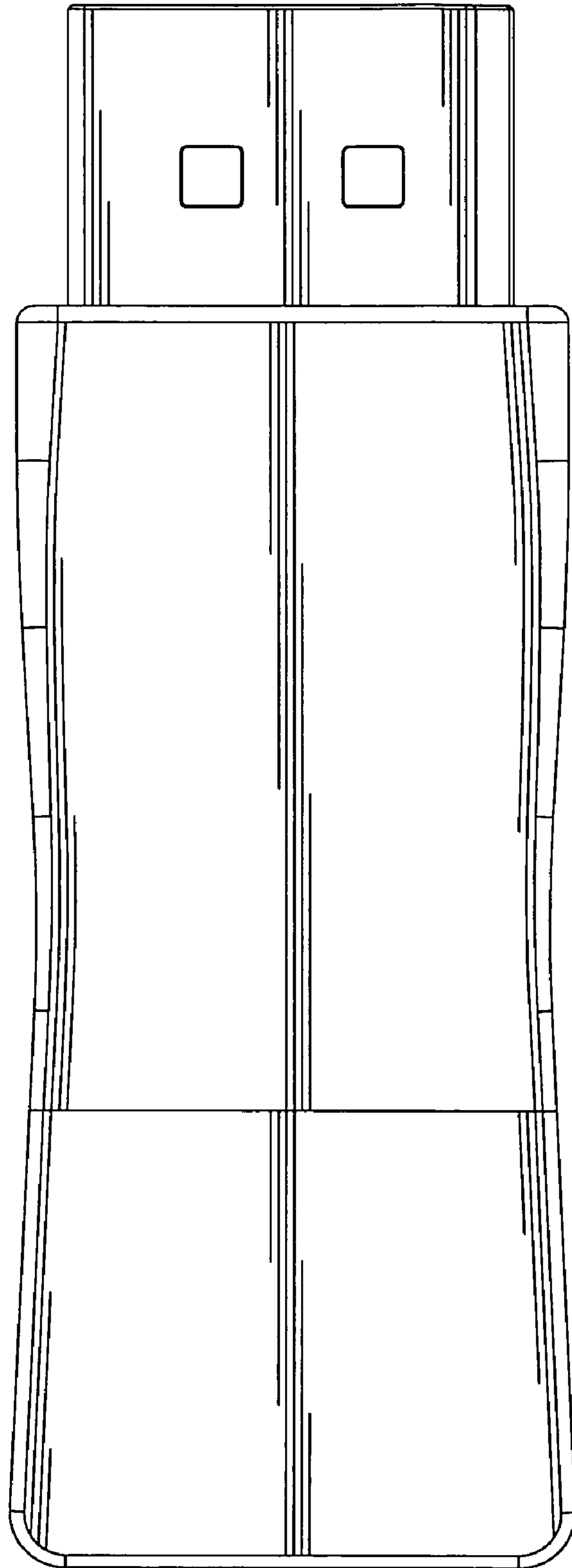


FIG. 7



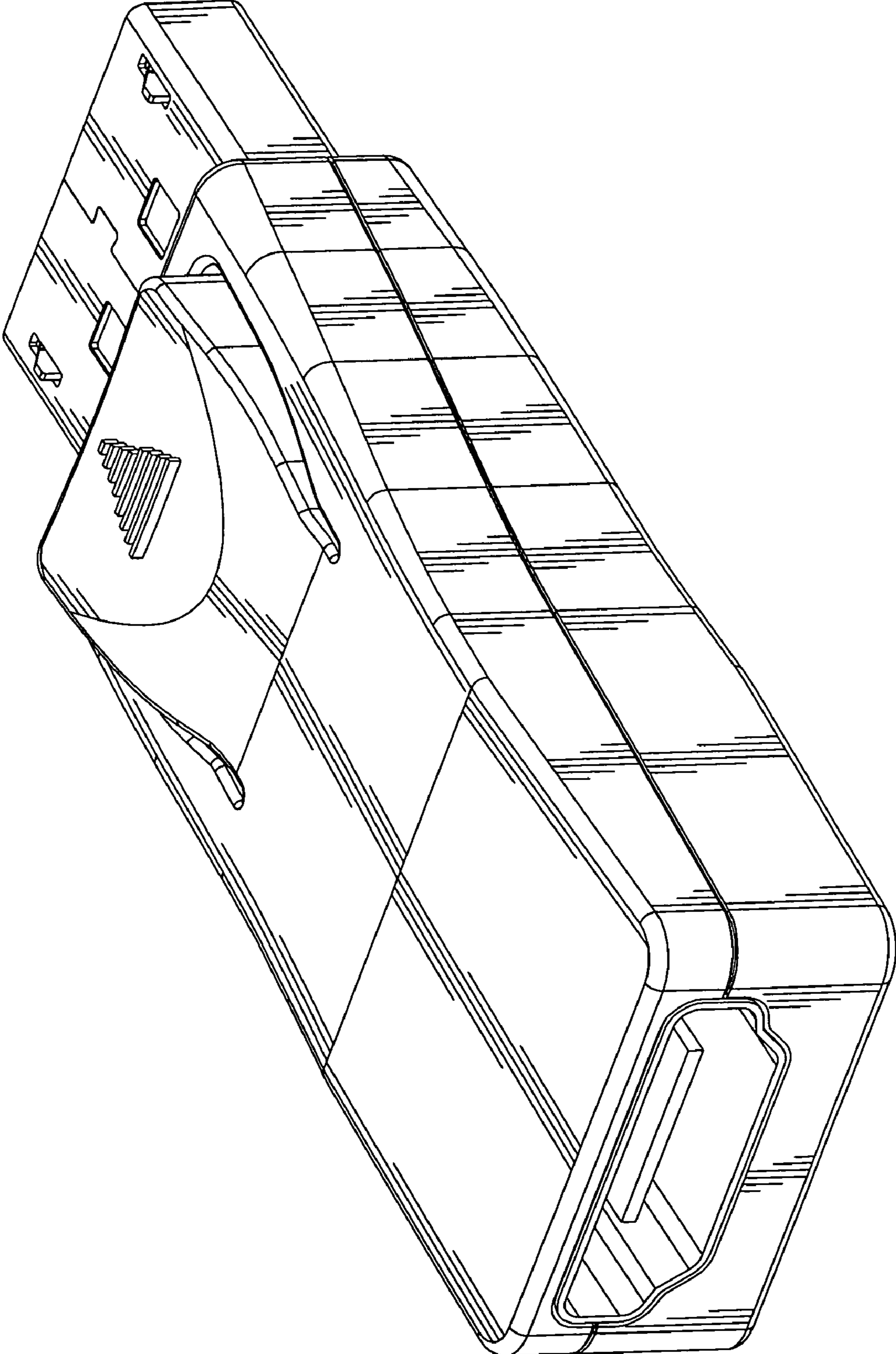


FIG. 8