



US00D589452S

(12) **United States Design Patent**
Liao et al.

(10) **Patent No.:** **US D589,452 S**
(45) **Date of Patent:** **** Mar. 31, 2009**

(54) **MEMORY CARD CONNECTOR**

D570,291 S * 6/2008 Zhang D13/147

(75) Inventors: **Wei Hong Liao**, Tu-Cheng (TW); **Ming Chiang Chen**, Tu-Cheng (TW)

* cited by examiner

(73) Assignee: **Cheng Uei Precision Industry Co., Ltd.**, Taipei Hsien (TW)

Primary Examiner—Daniel D Bui

(74) *Attorney, Agent, or Firm*—Rosenberg, Klein & Lee

(**) Term: **14 Years**

(57) **CLAIM**

(21) Appl. No.: **29/300,937**

The ornamental design for a memory card connector, as shown and described.

(22) Filed: **Jun. 2, 2008**

DESCRIPTION

(51) **LOC (9) Cl.** **13-03**

FIG. 1 is a perspective view of a memory card connector showing our new design;

(52) **U.S. Cl.** **D13/147**

FIG. 2 is a front elevational view thereof;

(58) **Field of Classification Search** D13/147,

FIG. 3 is a rear elevational view thereof;

D13/154, 184; D14/432, 433, 436, 438;

FIG. 4 is a left side elevational view thereof;

361/684–685; 439/67, 79, 159–160, 330–331,

FIG. 5 is a right side elevational view thereof;

439/341–342, 607–610, 629–630, 660, 946

FIG. 6 is a top plan view thereof;

See application file for complete search history.

FIG. 7 is a bottom plan view thereof; and,

(56) **References Cited**

FIG. 8 is another perspective view of the memory card connector.

U.S. PATENT DOCUMENTS

D423,457 S * 4/2000 Konno et al. D13/147

D529,446 S * 10/2006 Su D13/147

D544,842 S * 6/2007 Nishio et al. D13/147

D559,787 S * 1/2008 Sasaki et al. D13/147

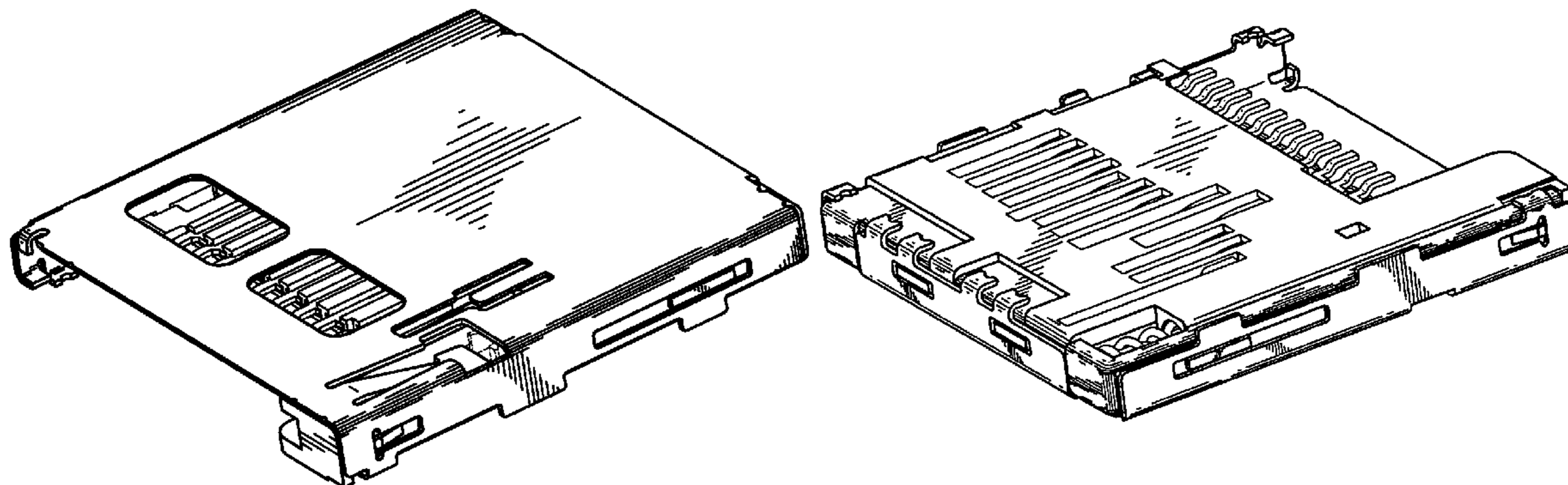
D566,655 S * 4/2008 Chen et al. D13/147

D568,250 S * 5/2008 Wu et al. D13/147

D569,346 S * 5/2008 Wu et al. D13/147

The broken lines representing internal elements in the drawings is included to show unclaimed subject matter only and forms no part of the claimed design.

1 Claim, 8 Drawing Sheets



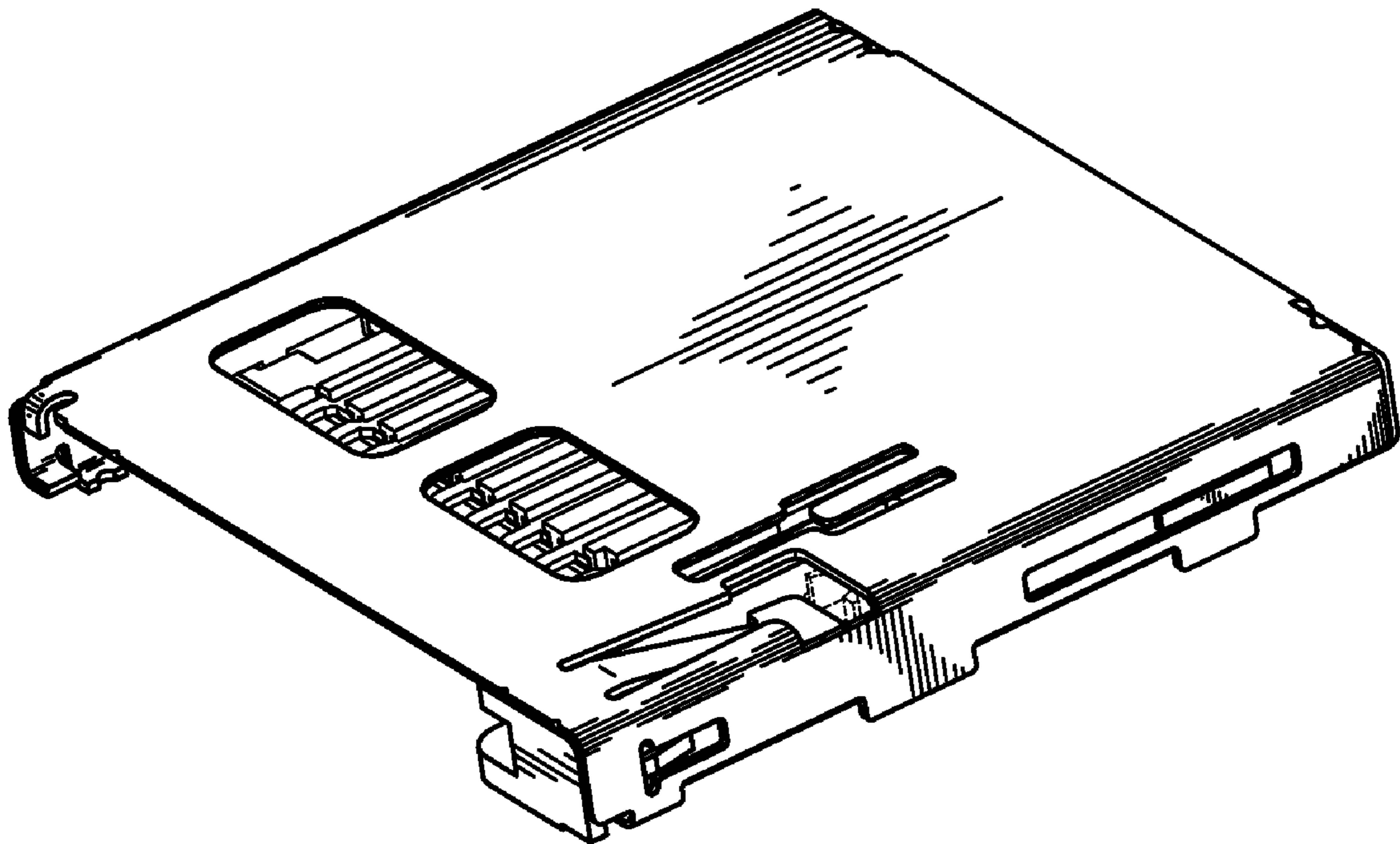


FIG. 1

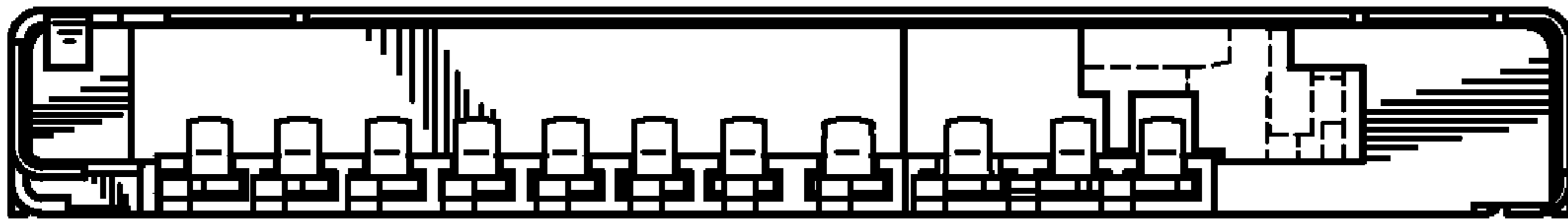


FIG. 2



FIG. 3



FIG. 4

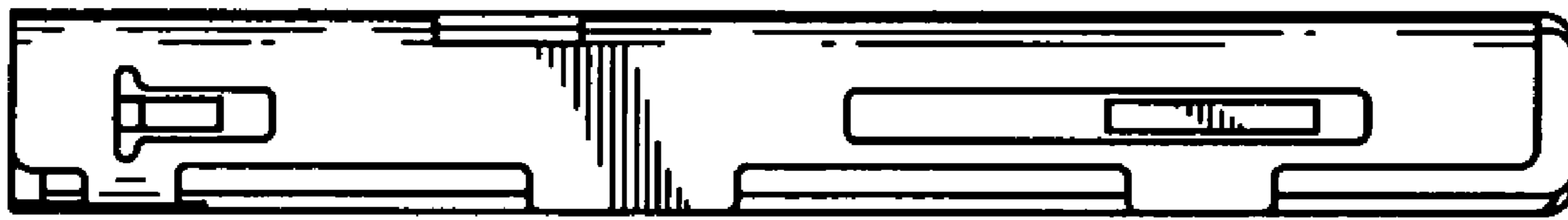


FIG. 5

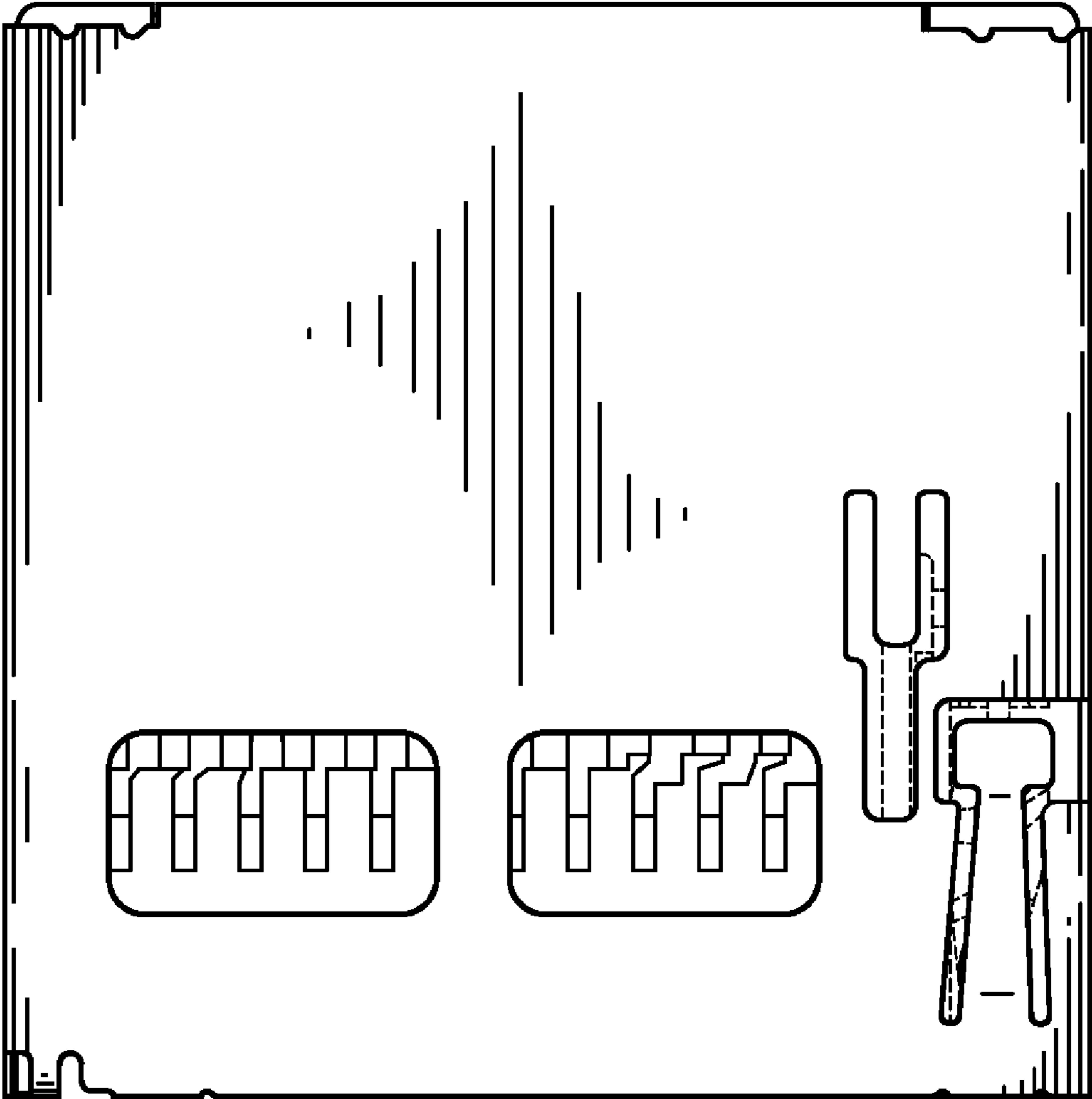


FIG. 6

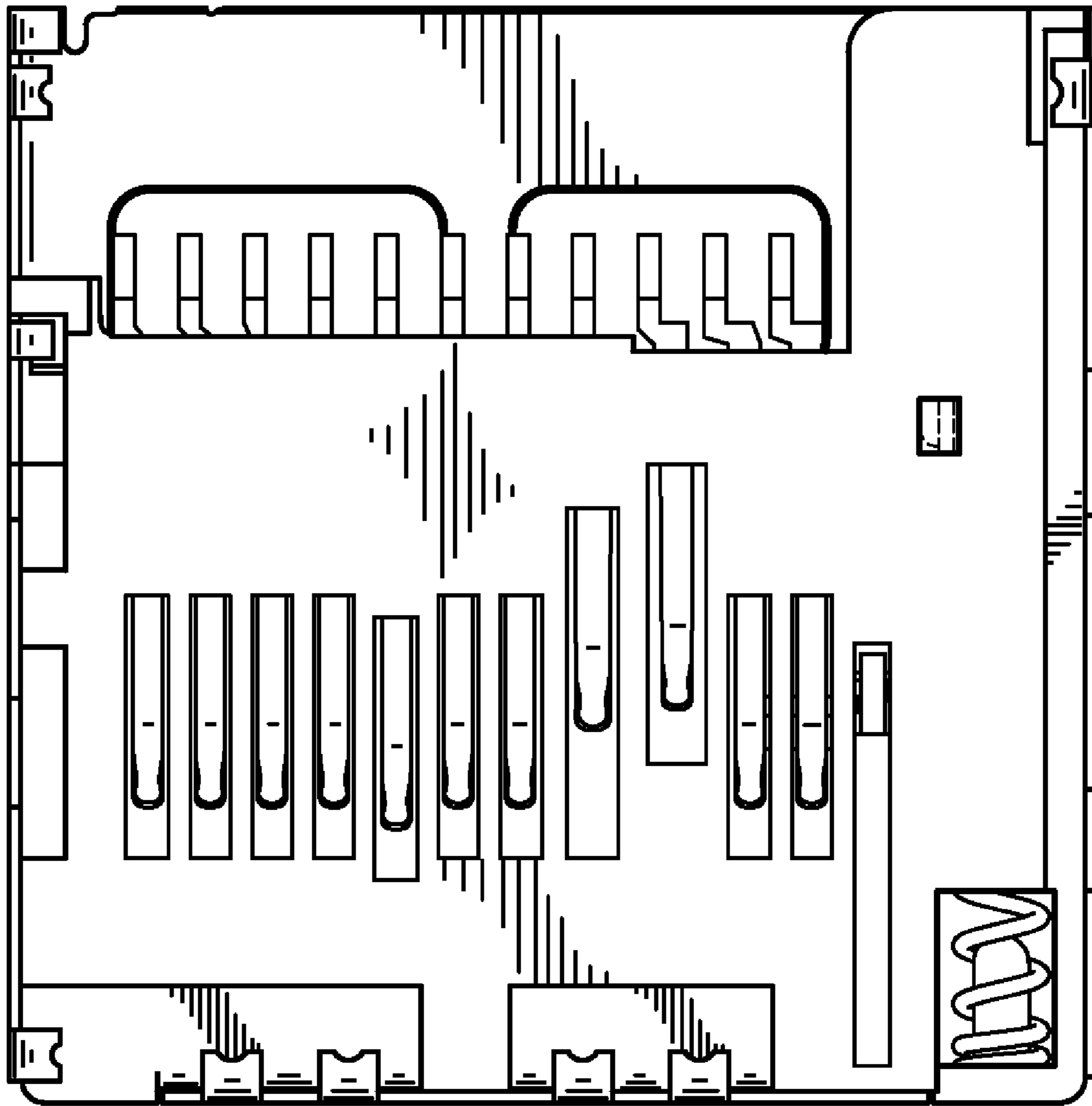


FIG. 7

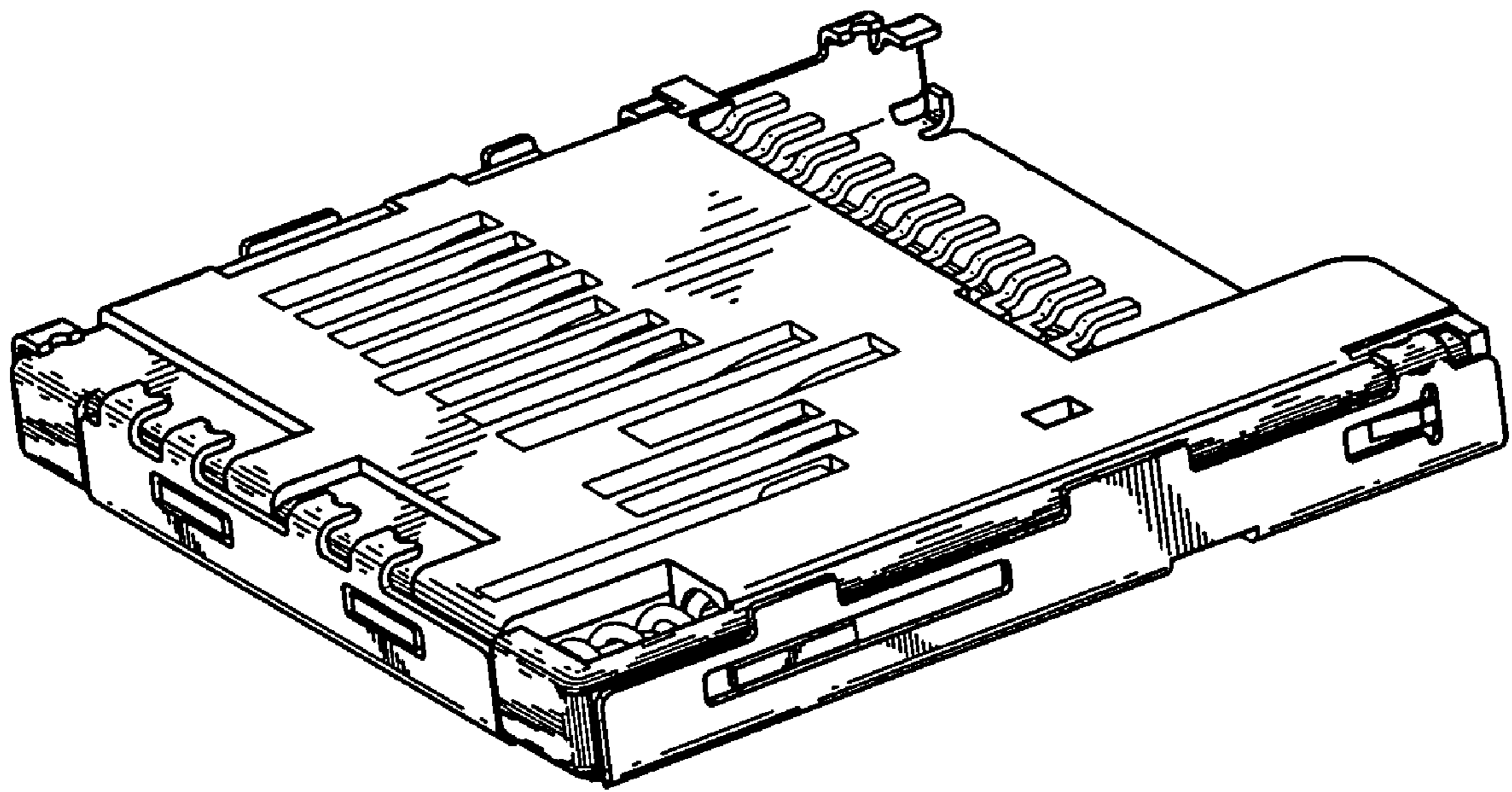


FIG. 8