



US00D589451S

(12) **United States Design Patent**  
**Su et al.**

(10) **Patent No.:** **US D589,451 S**

(45) **Date of Patent:** **\*\* Mar. 31, 2009**

(54) **RECEPTACLE CONNECTOR**

D509,190 S \* 9/2005 Tsai ..... D13/147  
D537,791 S \* 3/2007 Yuan et al. .... D13/147

(75) Inventors: **Yu-Hung Su**, Tu-Cheng (TW);  
**Yao-Ting Wang**, Tu-Cheng (TW)

\* cited by examiner

(73) Assignee: **Cheng Uei Precision Industry Co., Ltd.**, Taipei Hsien (TW)

*Primary Examiner*—Daniel D Bui

(74) *Attorney, Agent, or Firm*—Rosenberg, Klein & Lee

(\*\*) Term: **14 Years**

(57) **CLAIM**

(21) Appl. No.: **29/300,077**

The ornamental design for a receptacle connector, as shown and described.

(22) Filed: **Feb. 20, 2008**

**DESCRIPTION**

(51) **LOC (9) Cl.** ..... **13-03**

(52) **U.S. Cl.** ..... **D13/147**

(58) **Field of Classification Search** ..... D13/146–147,  
D13/154, 184; 439/79, 108, 378, 607–610,  
439/660, 668, 680

See application file for complete search history.

FIG. 1 is a perspective view of a receptacle connector showing our new design;

FIG. 2 is a front elevational view thereof;

FIG. 3 is a rear elevational view thereof;

FIG. 4 is a left side elevational view thereof;

FIG. 5 is a right side elevational view thereof;

FIG. 6 is a top plan view thereof;

FIG. 7 is a bottom plan view thereof; and,

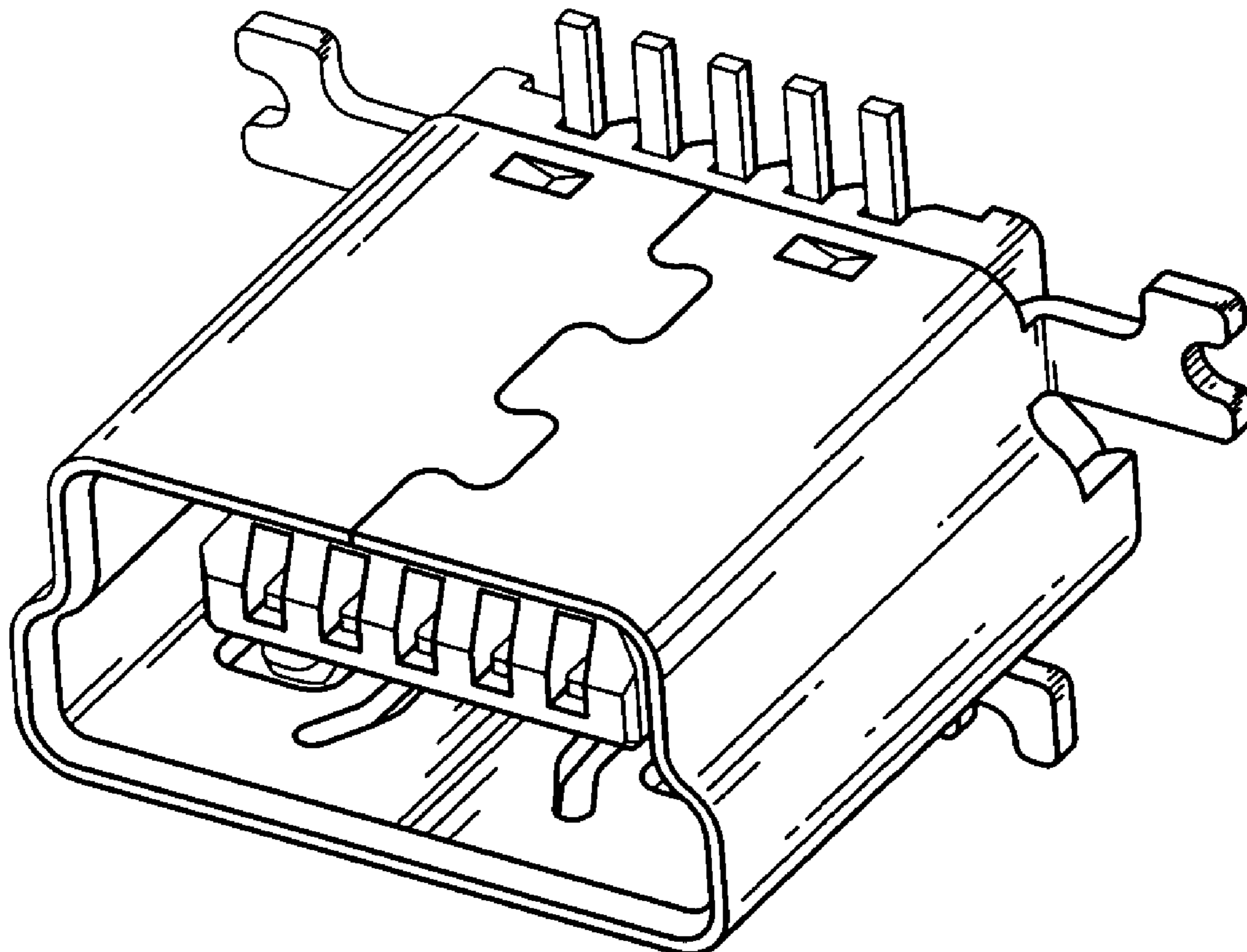
FIG. 8 is another perspective view of the receptacle connector showing our new design.

(56) **References Cited**

**U.S. PATENT DOCUMENTS**

D450,302 S *	11/2001	Shimojyo	.....	D13/147
D452,848 S *	1/2002	Shimojyo	.....	D13/147
D476,954 S *	7/2003	Nishio et al.	.....	D13/147
D480,686 S *	10/2003	Takahashi	.....	D13/147
D482,002 S *	11/2003	Suzuki et al.	.....	D13/147

**1 Claim, 8 Drawing Sheets**



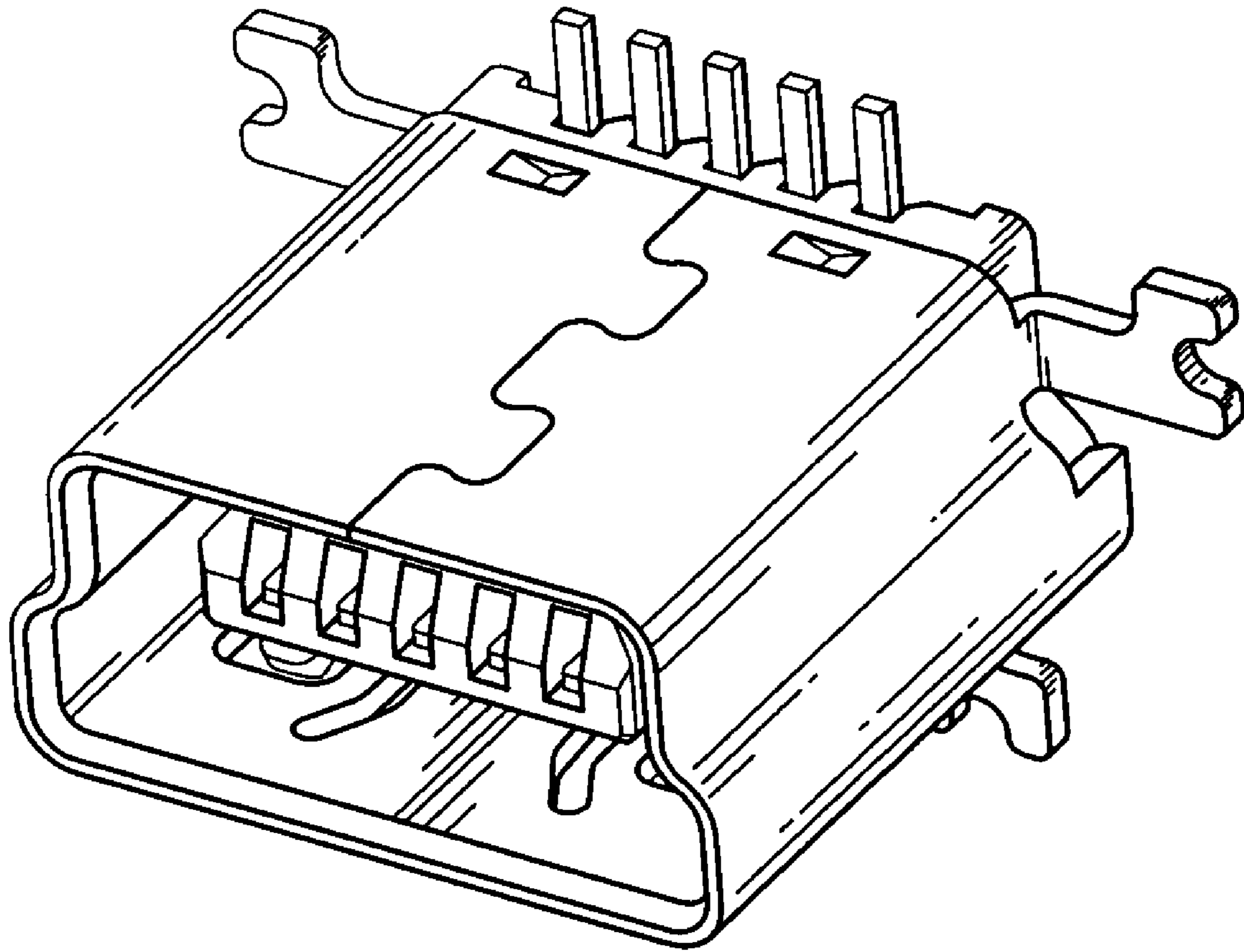


FIG. 1

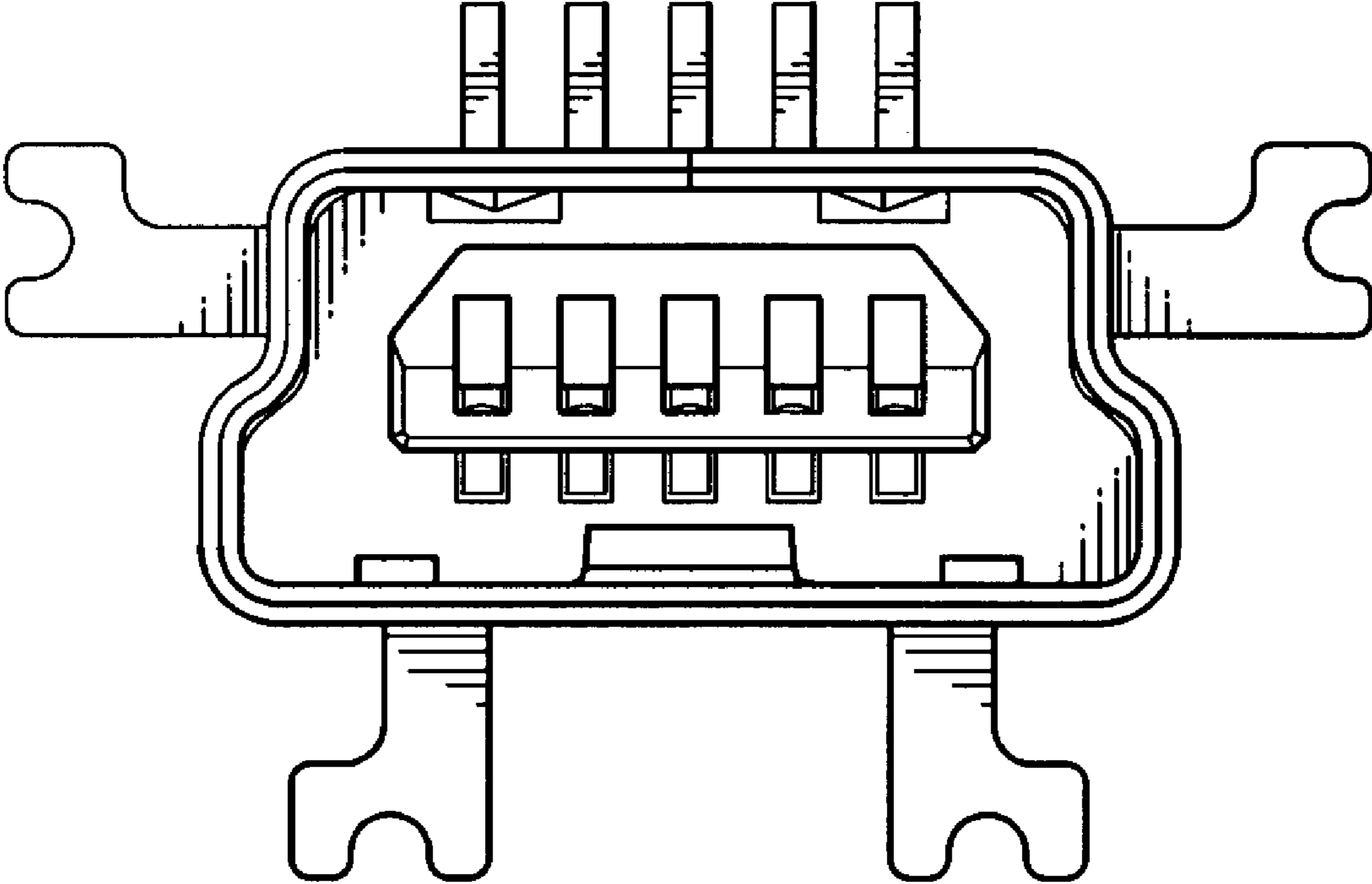


FIG. 2

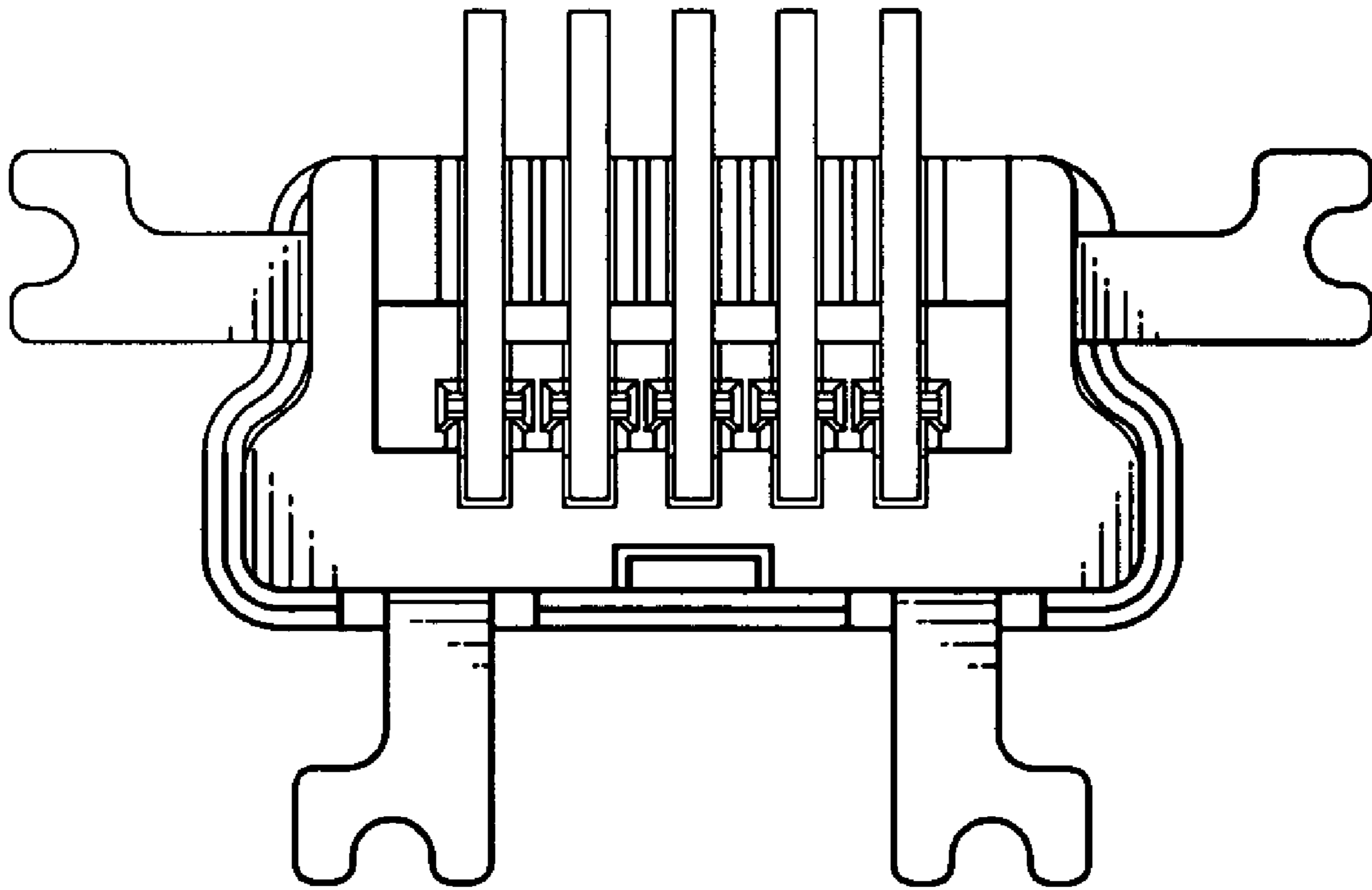


FIG. 3

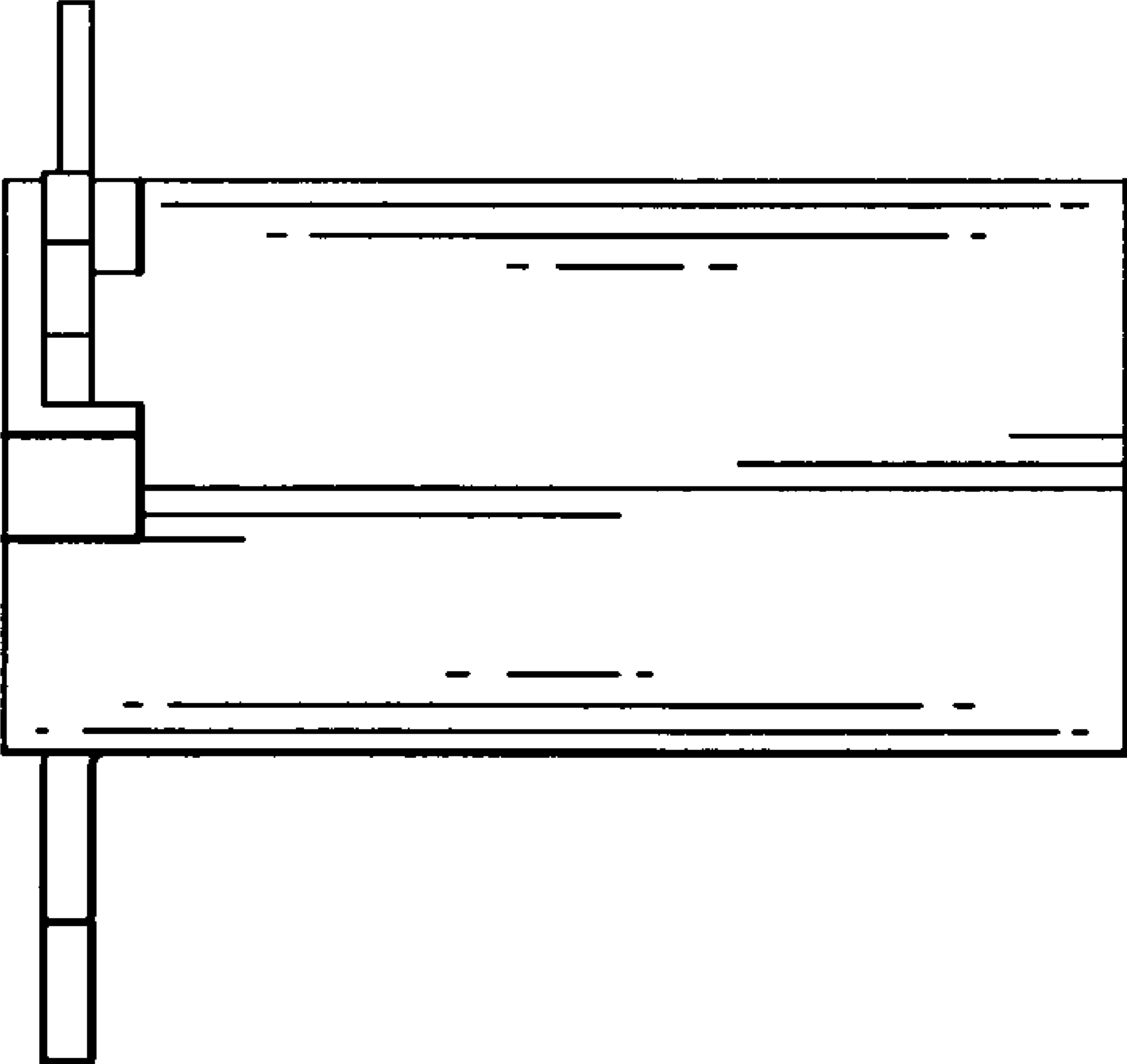


FIG. 4

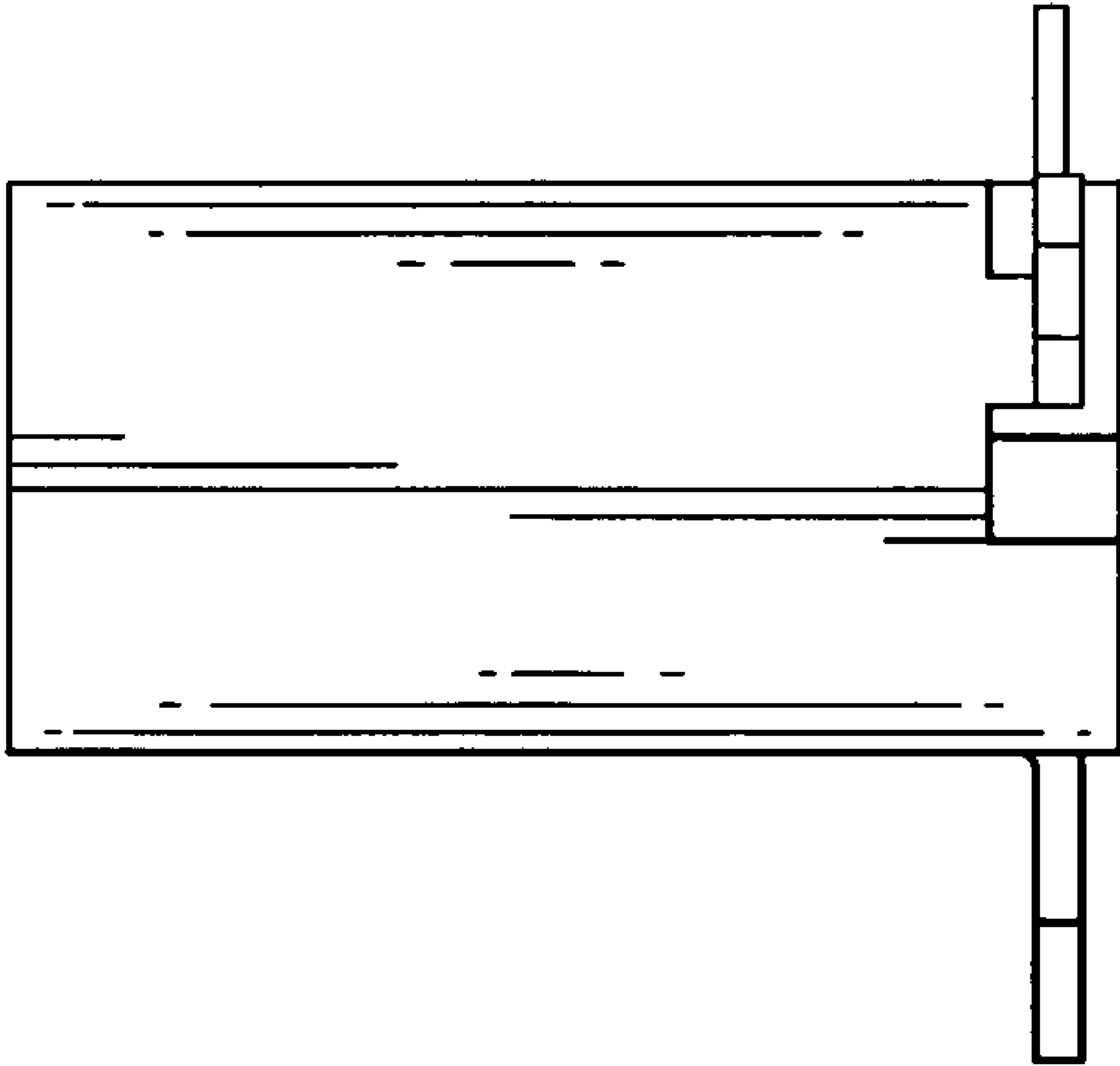


FIG. 5

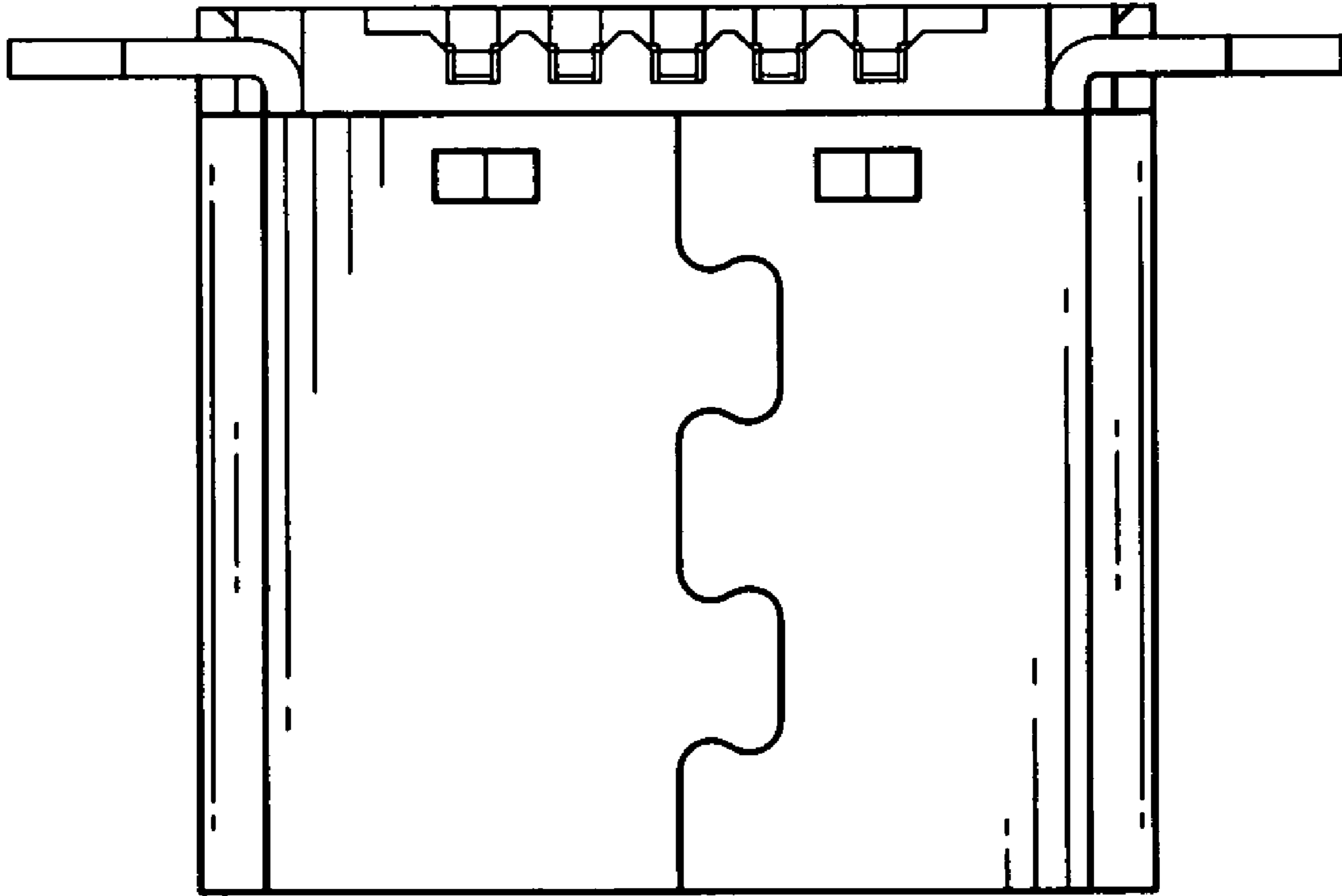


FIG. 6

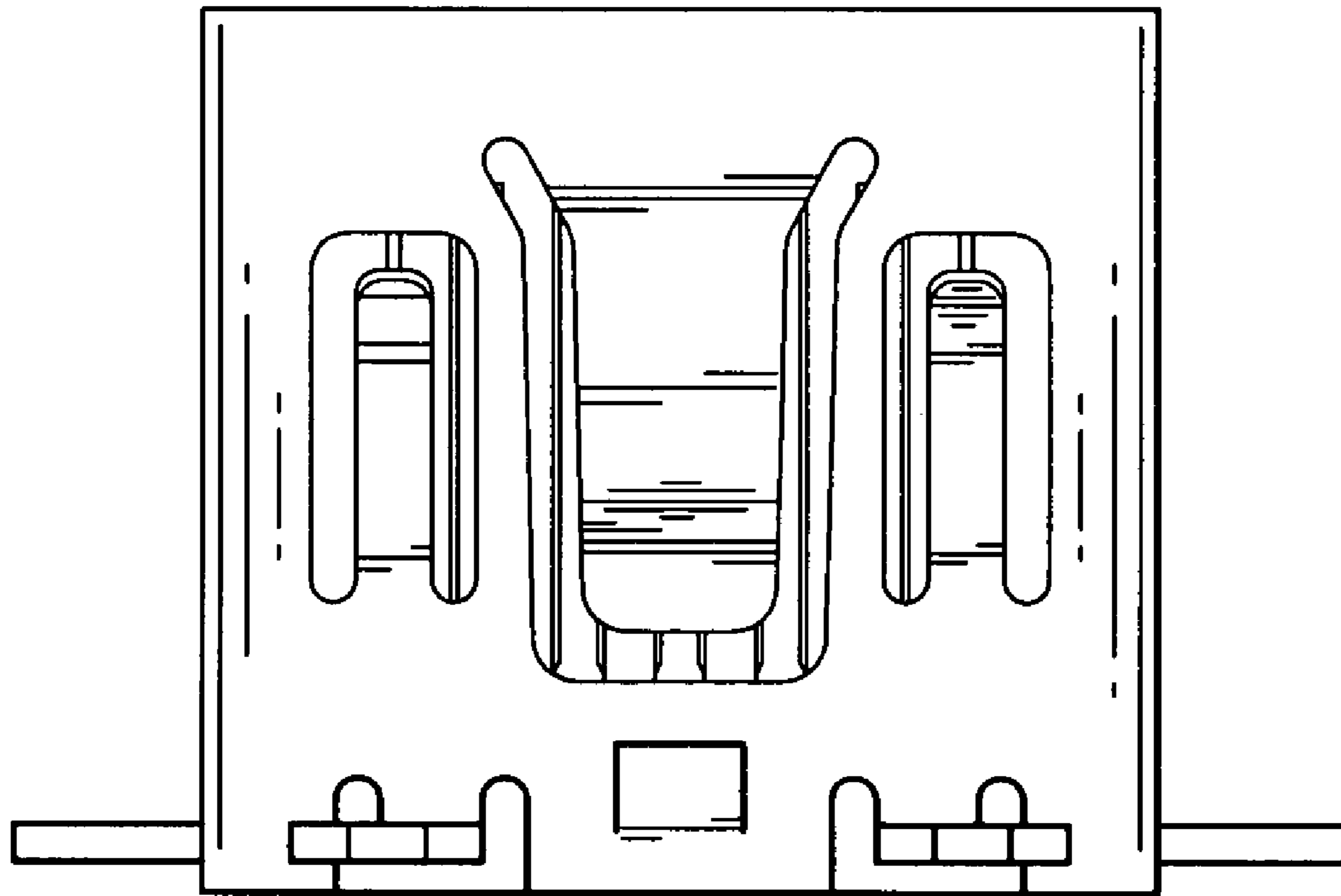


FIG. 7



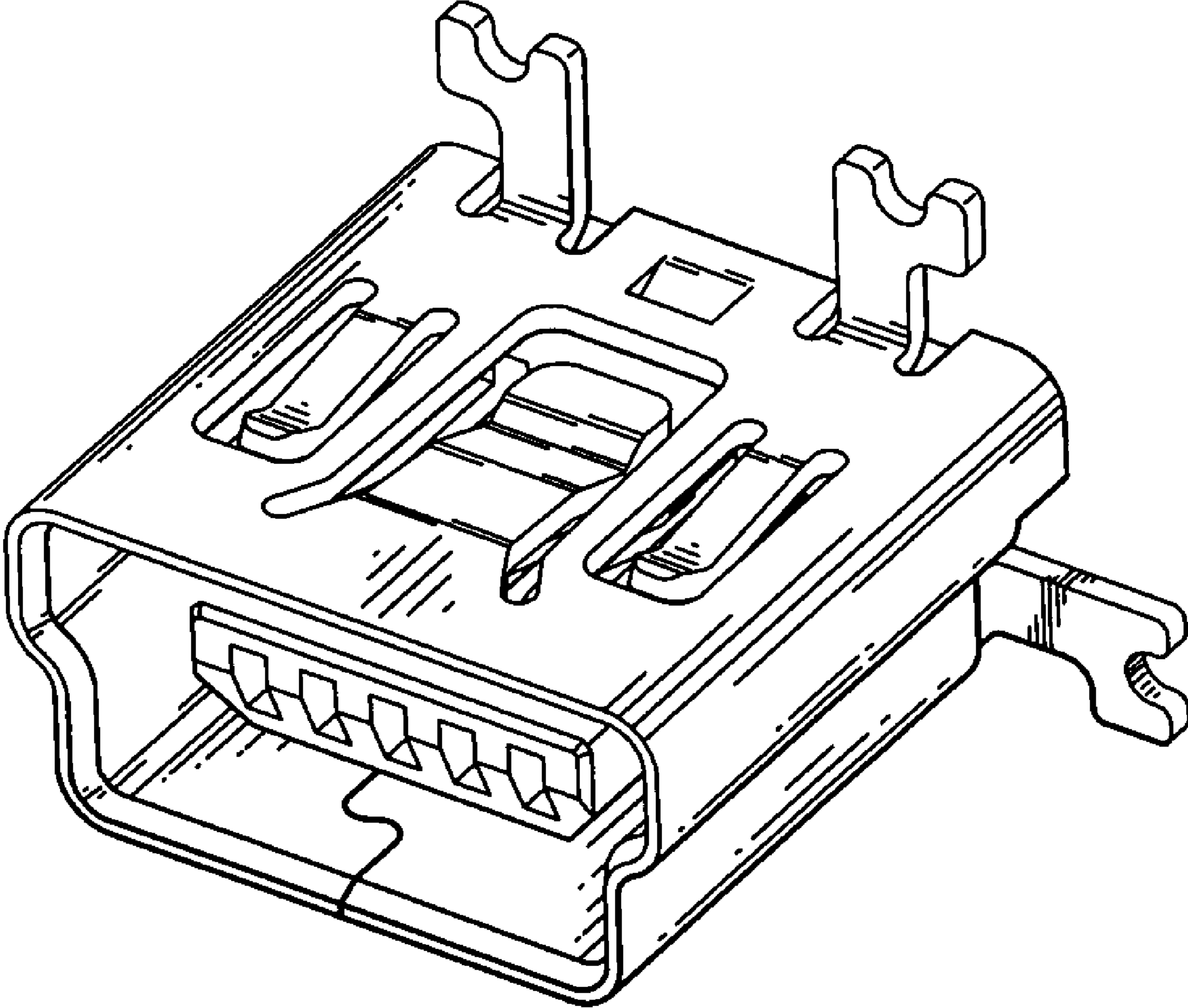


FIG. 8