



US00D589450S

(12) **United States Design Patent**
Lin et al.

(10) **Patent No.:** **US D589,450 S**
(45) **Date of Patent:** **** Mar. 31, 2009**

(54) **USB SOCKET**

(75) Inventors: **Chih-Ming Lin**, Taichung (TW);
Chin-Tsai Shih, Taichung Hsien (TW)

(73) Assignee: **Excel Cell Electronics Co., Ltd.**,
Taichung (TW)

(**) Term: **14 Years**

(21) Appl. No.: **29/299,719**

(22) Filed: **Jan. 3, 2008**

(30) **Foreign Application Priority Data**

Sep. 28, 2007 (TW) 96305313

(51) **LOC (9) Cl.** **13-03**

(52) **U.S. Cl.** **D13/147**

(58) **Field of Classification Search** D13/146-147,
D13/154, 184; 439/79, 108, 607-610, 660,
439/668, 680

See application file for complete search history.

(56) **References Cited**

U.S. PATENT DOCUMENTS

D427,975 S * 7/2000 Zhu et al. D13/147
D482,331 S * 11/2003 Suzuki et al. D13/147
D509,192 S * 9/2005 Chen D13/147

D540,746 S * 4/2007 Watanabe et al. D13/147
D543,151 S * 5/2007 Watanabe et al. D13/147
D555,100 S * 11/2007 Ikegami D13/147
D569,345 S * 5/2008 Ikegami D13/147

* cited by examiner

Primary Examiner—Daniel D Bui

(74) *Attorney, Agent, or Firm*—Darby & Darby P.C.

(57) **CLAIM**

The ornamental design for a USB socket, as shown and described.

DESCRIPTION

FIG. 1 is a perspective view of a USB socket showing our new design;

FIG. 2 is a front elevational view thereof;

FIG. 3 is a rear elevational view thereof;

FIG. 4 is a left side elevational view thereof;

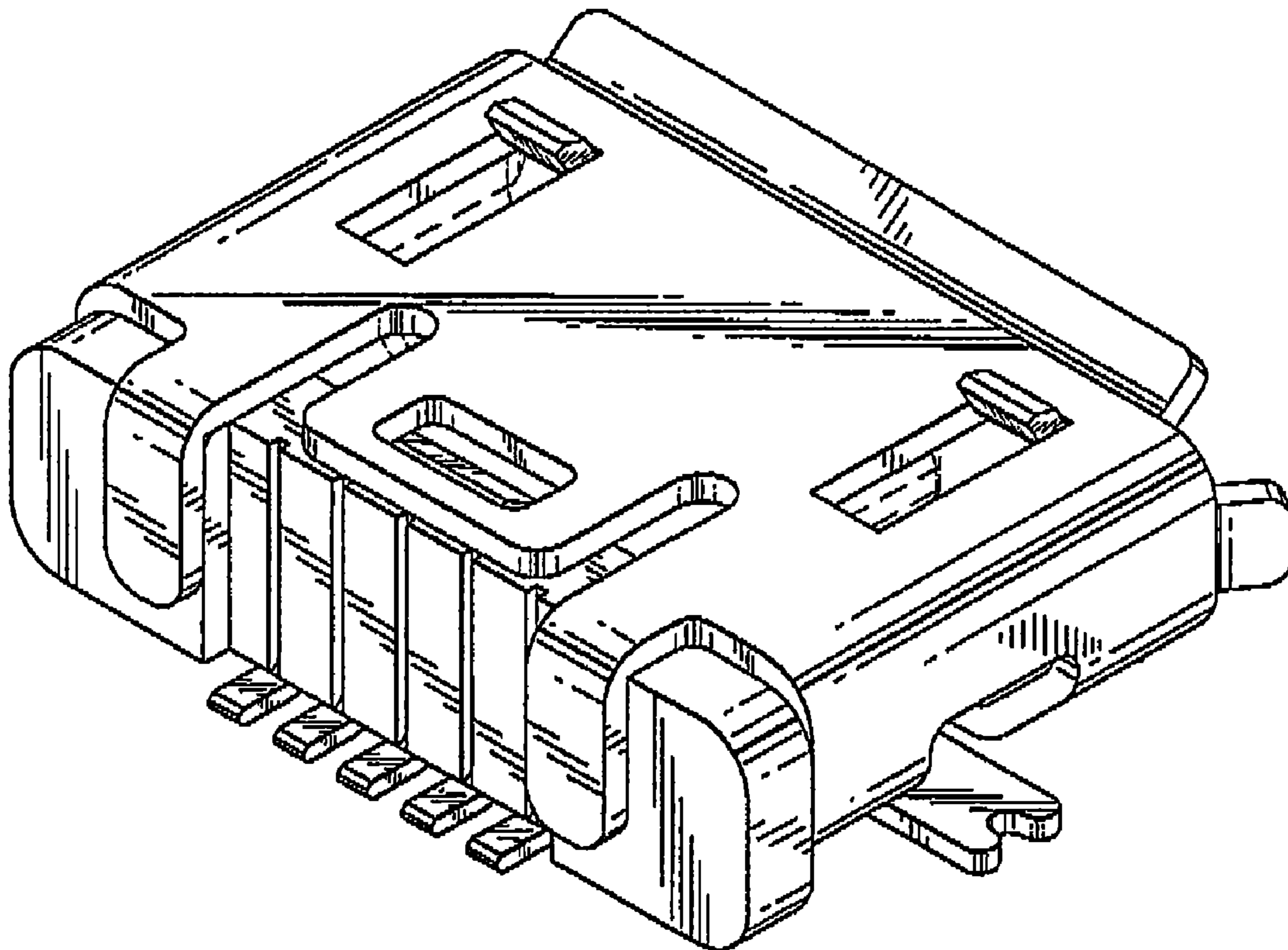
FIG. 5 is a right side elevational view thereof;

FIG. 6 is a top plan view thereof; and,

FIG. 7 is a bottom plan view thereof.

The broken line depicts internal elements of the USB socket shown in FIGS. 1, 2, 3, 6 and 7 is unclaimed subject matter and forms no part of the claimed design.

1 Claim, 5 Drawing Sheets



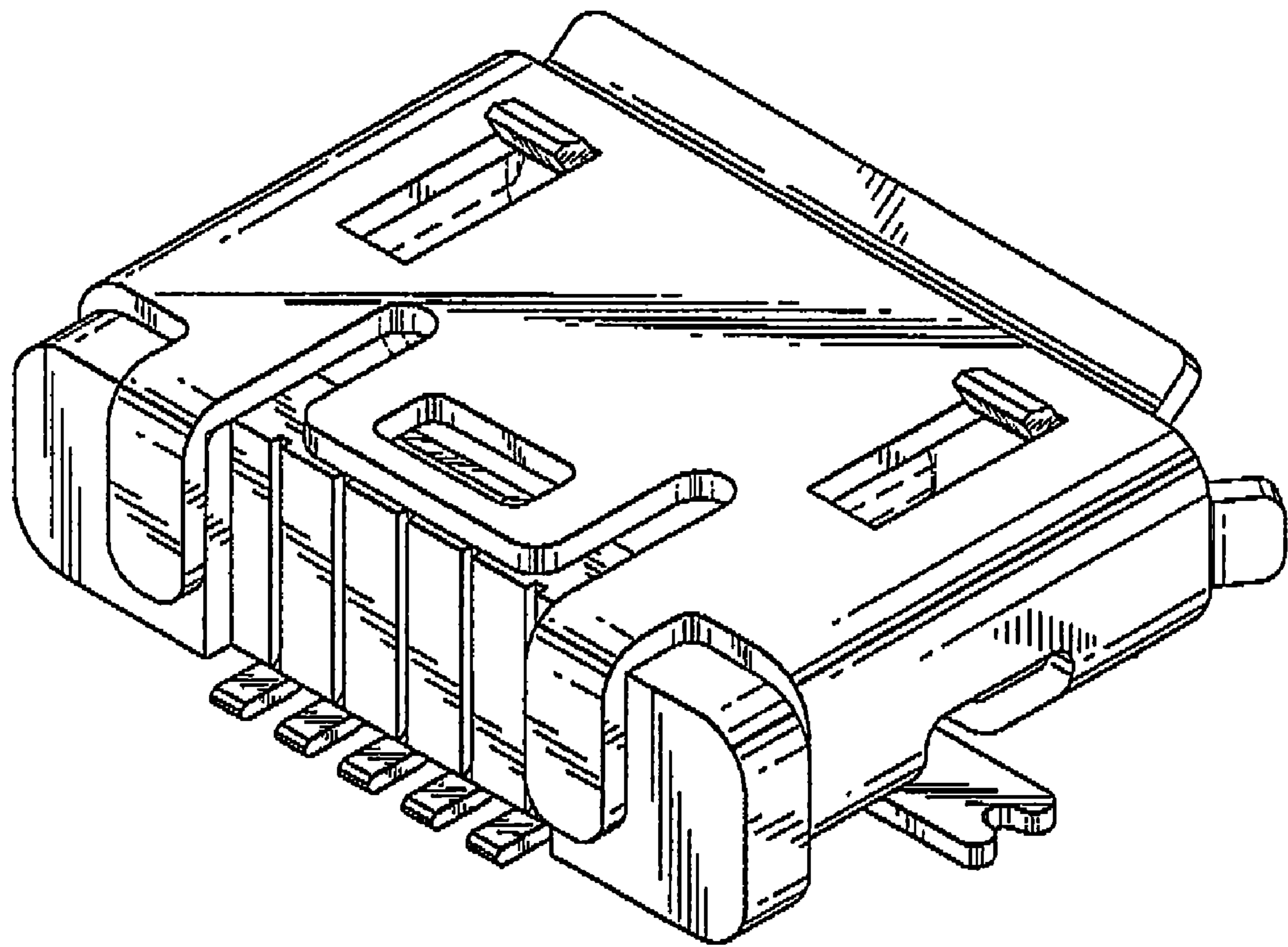


FIG. 1

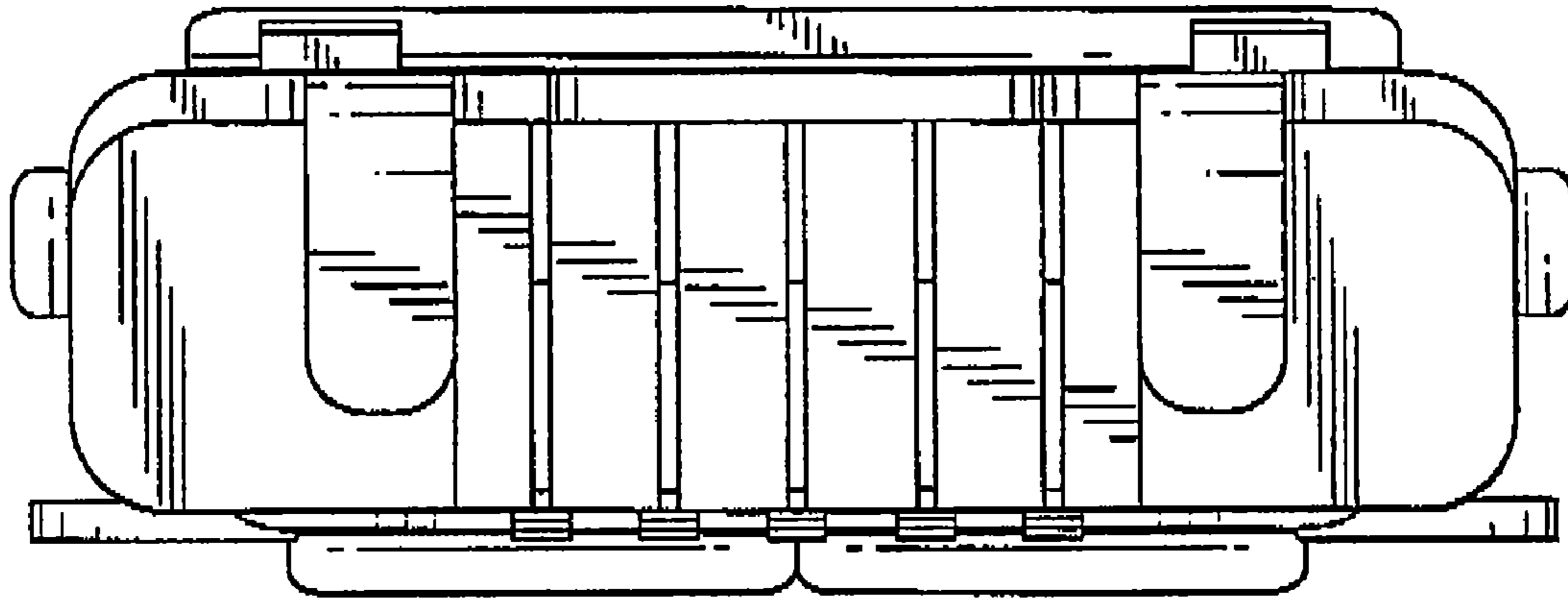


FIG. 2

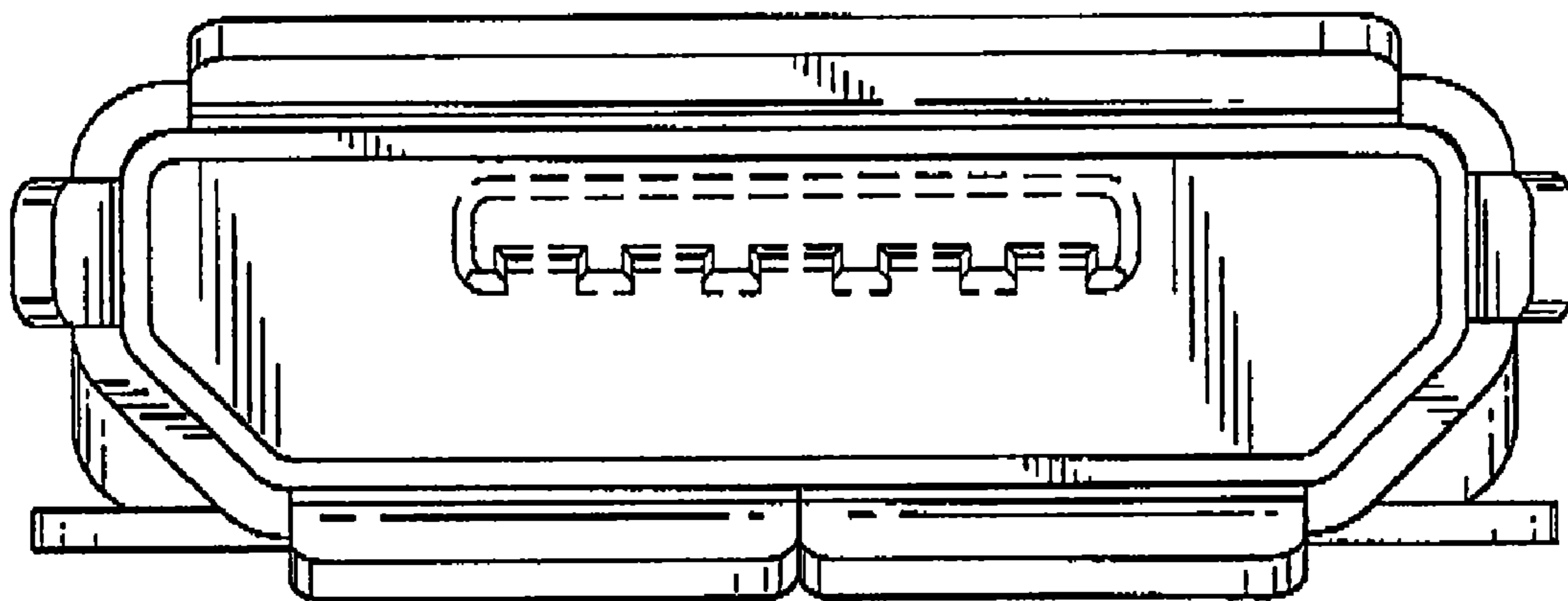


FIG. 3

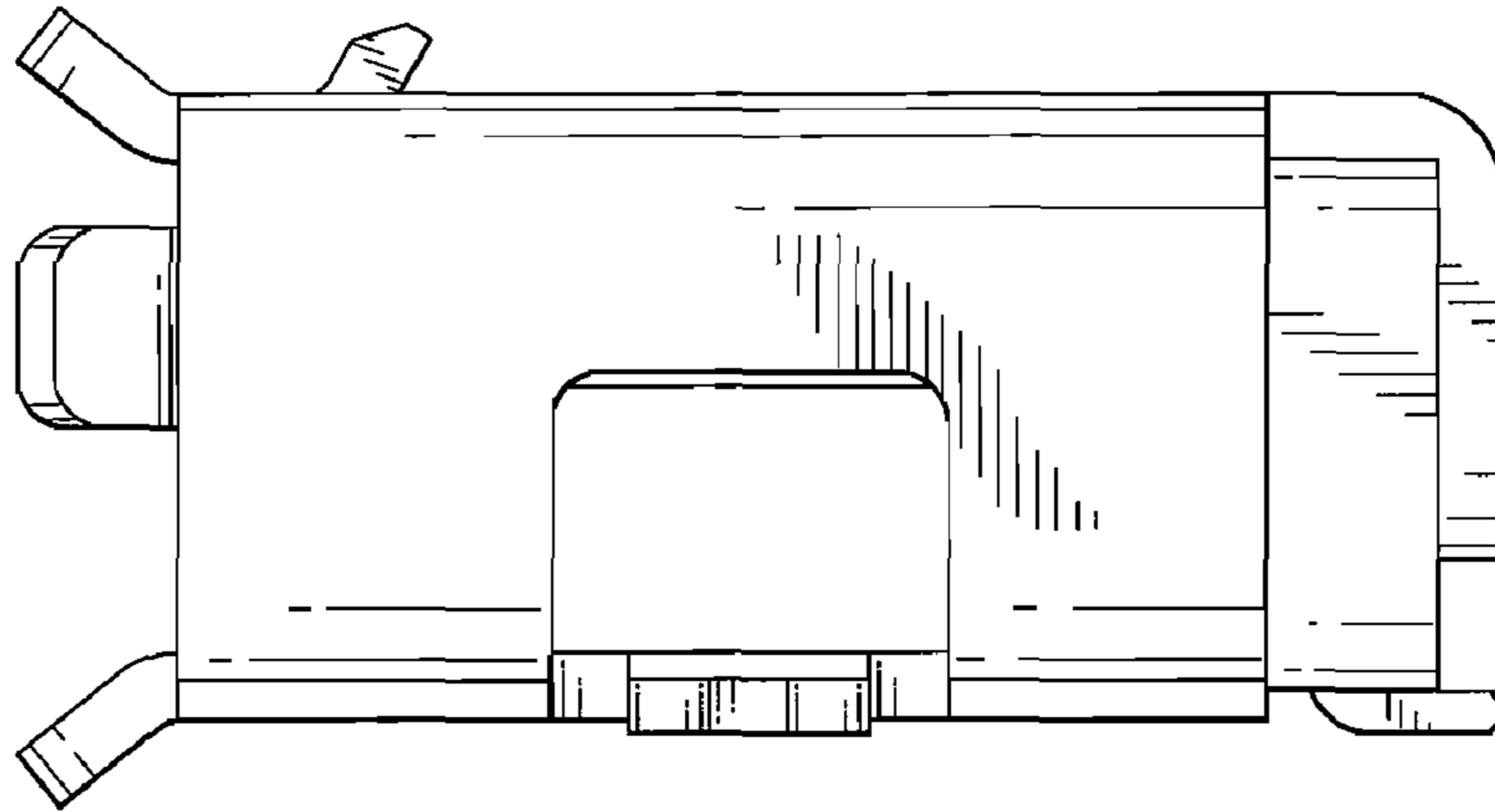


FIG. 4

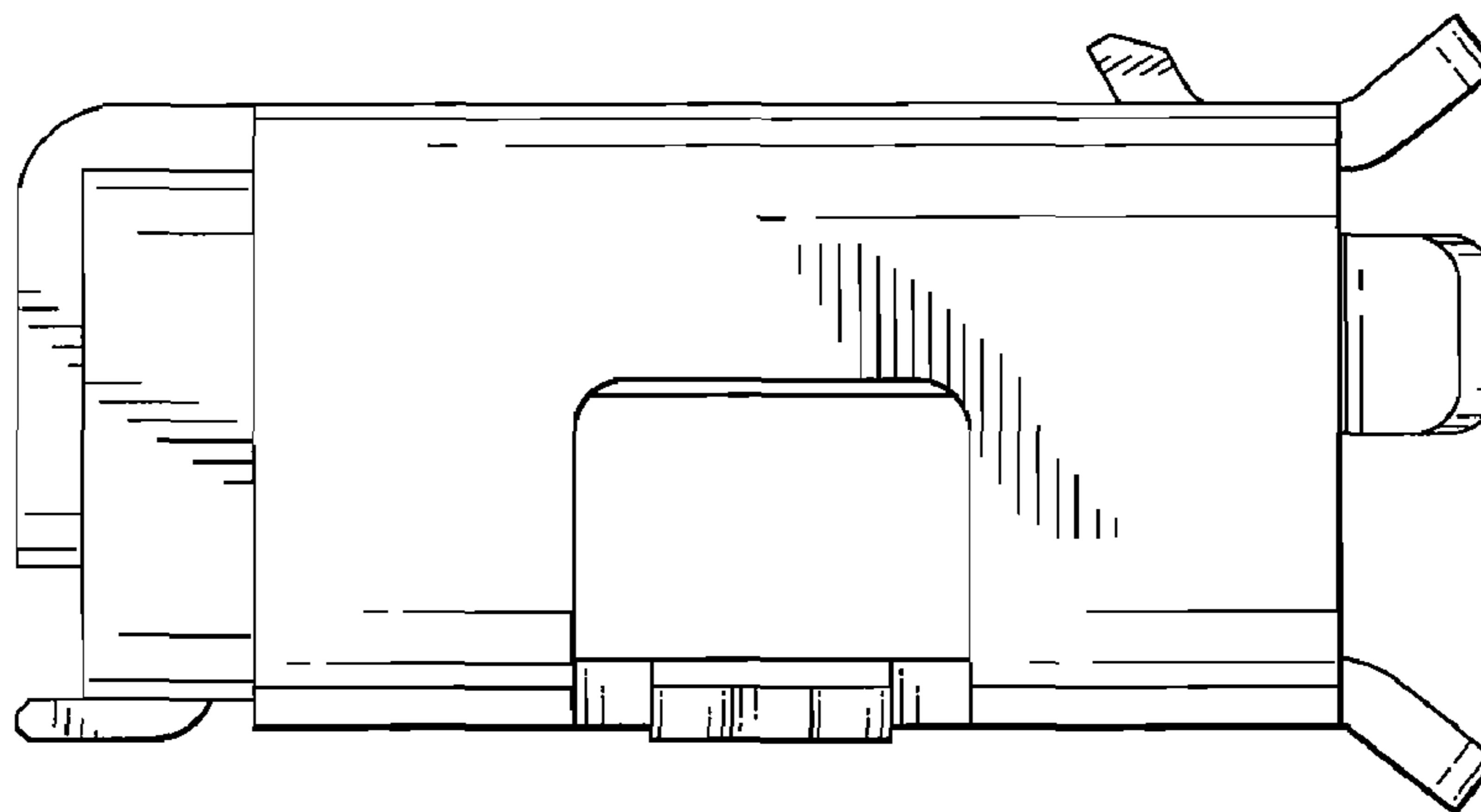


FIG. 5

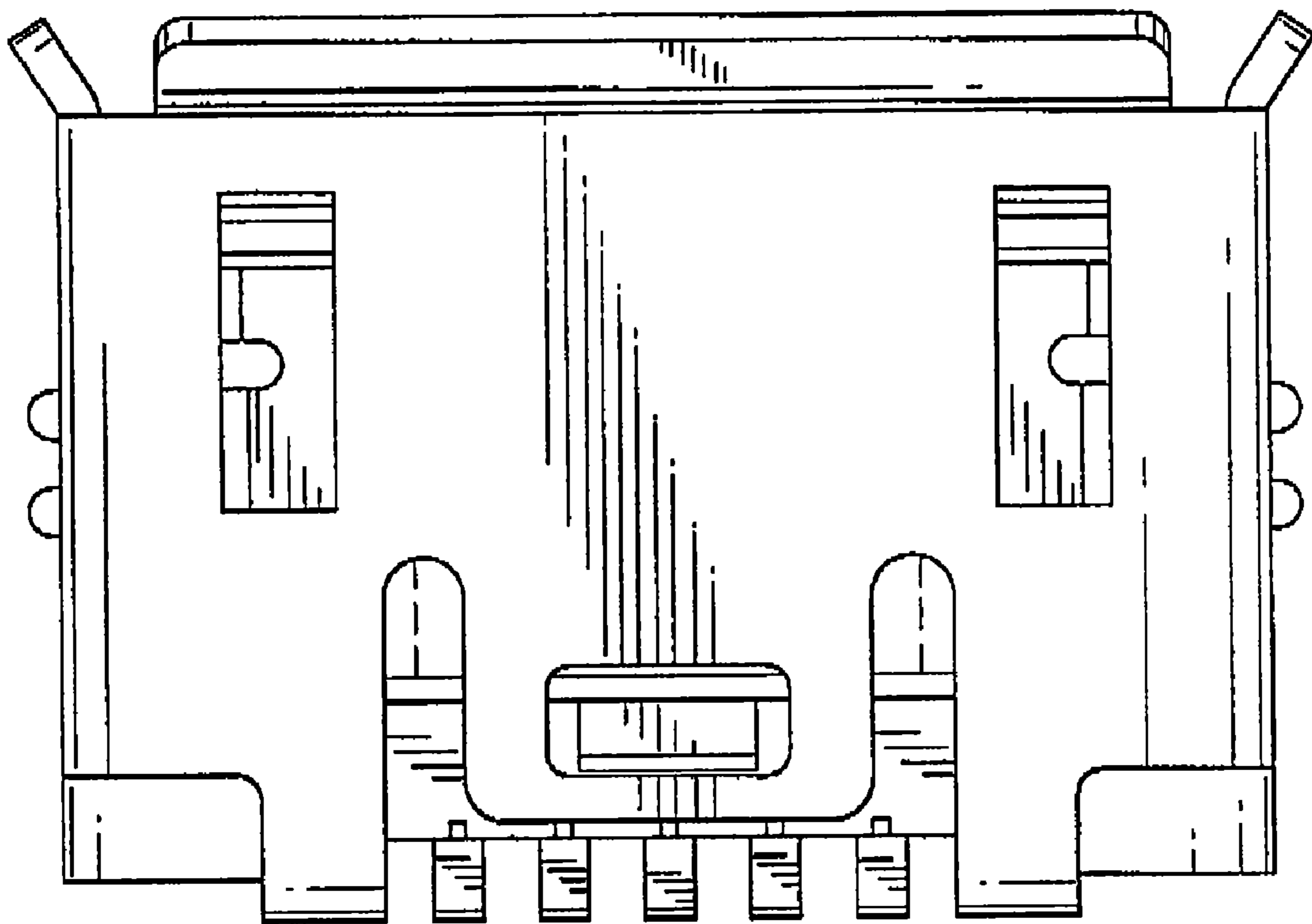


FIG. 6

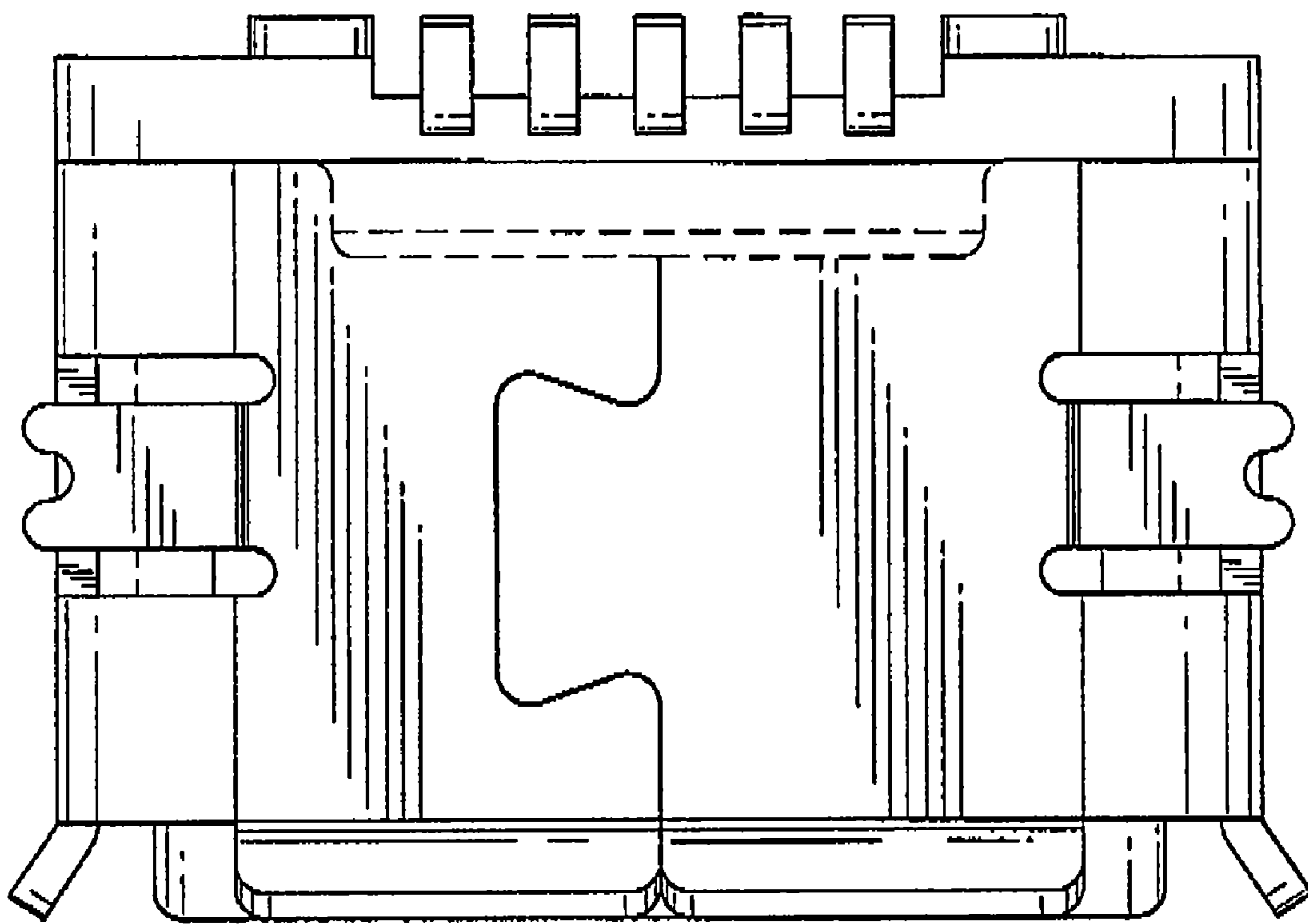


FIG. 7

UNITED STATES PATENT AND TRADEMARK OFFICE
CERTIFICATE OF CORRECTION

PATENT NO. : Des. 589,450 S
APPLICATION NO. : 29/299719
DATED : March 31, 2009
INVENTOR(S) : Chih-Ming Lin et al.

Page 1 of 1

It is certified that error appears in the above-identified patent and that said Letters Patent is hereby corrected as shown below:

On the title page item (73),

Delete "Excel Cell Electronics Co., Ltd." and insert

-- Excel Cell Electronic Co., Ltd. -- therefor.

Signed and Sealed this

Eighteenth Day of August, 2009



David J. Kappos
Director of the United States Patent and Trademark Office