



US00D589448S

(12) **United States Design Patent**  
**Koyama**

(10) **Patent No.:** **US D589,448 S**  
(45) **Date of Patent:** **\*\* Mar. 31, 2009**

(54) **ELECTRICAL CONNECTOR**

(75) Inventor: **Ryozo Koyama**, Tokyo (JP)

(73) Assignee: **Hirose Electric Co., Ltd.**, Tokyo (JP)

(\*\*) Term: **14 Years**

(21) Appl. No.: **29/274,113**

(22) Filed: **Mar. 29, 2007**

(51) **LOC (9) Cl.** ..... **13-03**

(52) **U.S. Cl.** ..... **D13/147**

(58) **Field of Classification Search** ..... D13/133,  
D13/146-147, 154, 184; 439/79, 108, 378,  
439/607-610, 660, 668, 680

See application file for complete search history.

(56) **References Cited**

**U.S. PATENT DOCUMENTS**

D416,231 S	*	11/1999	Chiou	.....	D13/147
D478,050 S	*	8/2003	Nishio et al.	.....	D13/147
D522,970 S	*	6/2006	Toyota et al.	.....	D13/147
D523,400 S	*	6/2006	Shang-Yen et al.	.....	D13/147
D540,746 S	*	4/2007	Watanabe et al.	.....	D13/147
D543,151 S	*	5/2007	Watanabe et al.	.....	D13/147

\* cited by examiner

*Primary Examiner*—Daniel D Bui

(74) *Attorney, Agent, or Firm*—Kubotera & Associates, LLC

(57) **CLAIM**

The ornamental design for an electrical connector, as shown and described.

**DESCRIPTION**

FIG. 1 is a perspective view of an electrical connector showing my new design;

FIG. 2 is a perspective view thereof viewed from a bottom side thereof;

FIG. 3 is a front view thereof;

FIG. 4 is a rear view thereof;

FIG. 5 is a right side view thereof, a left side view being symmetrical to the right side view;

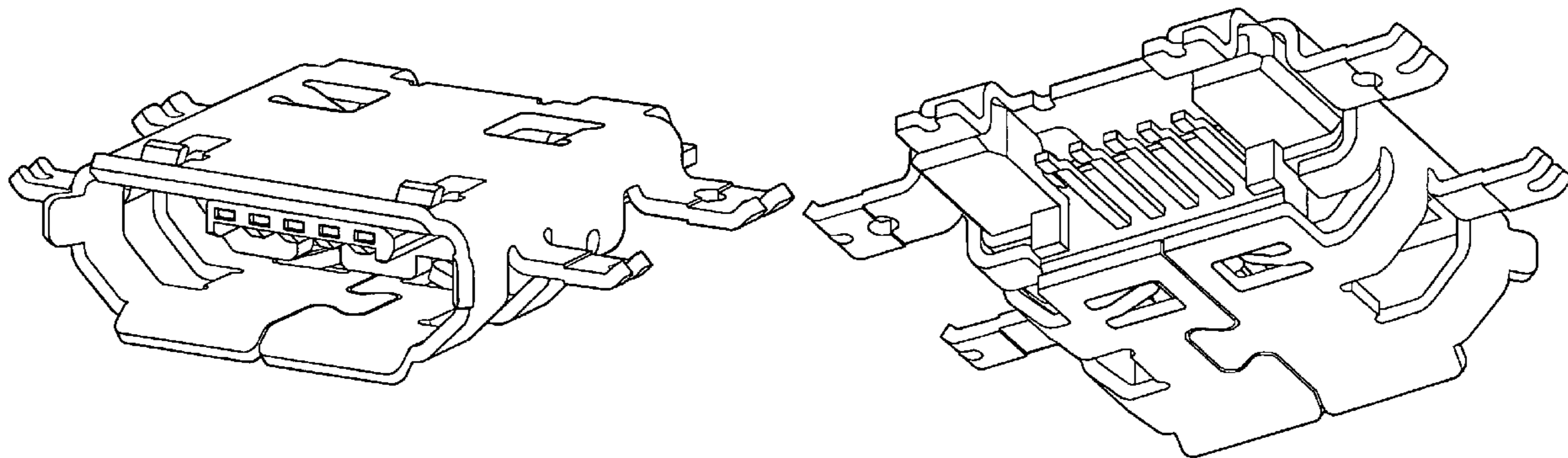
FIG. 6 is a plan view thereof;

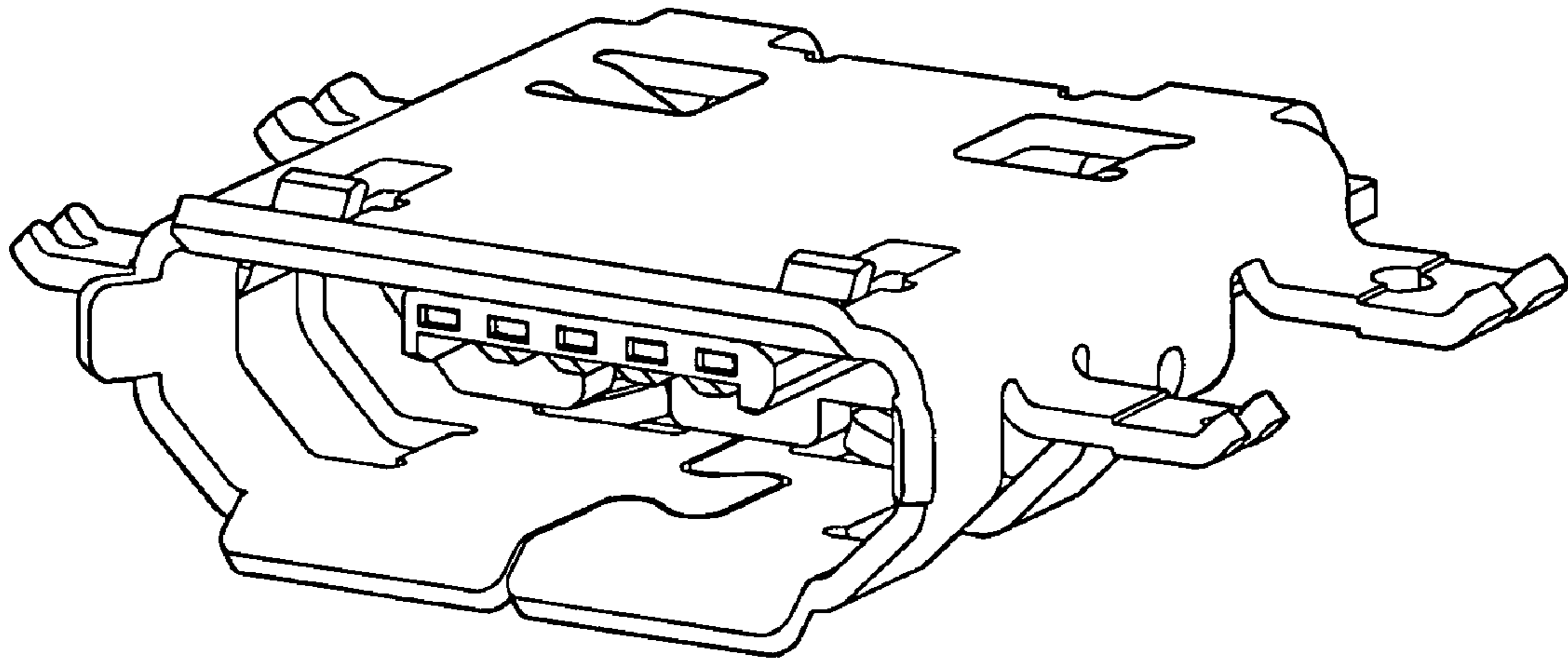
FIG. 7 is a bottom view thereof; and,

FIG. 8 is a sectional view thereof taken along a line 8—8 in FIG. 6.

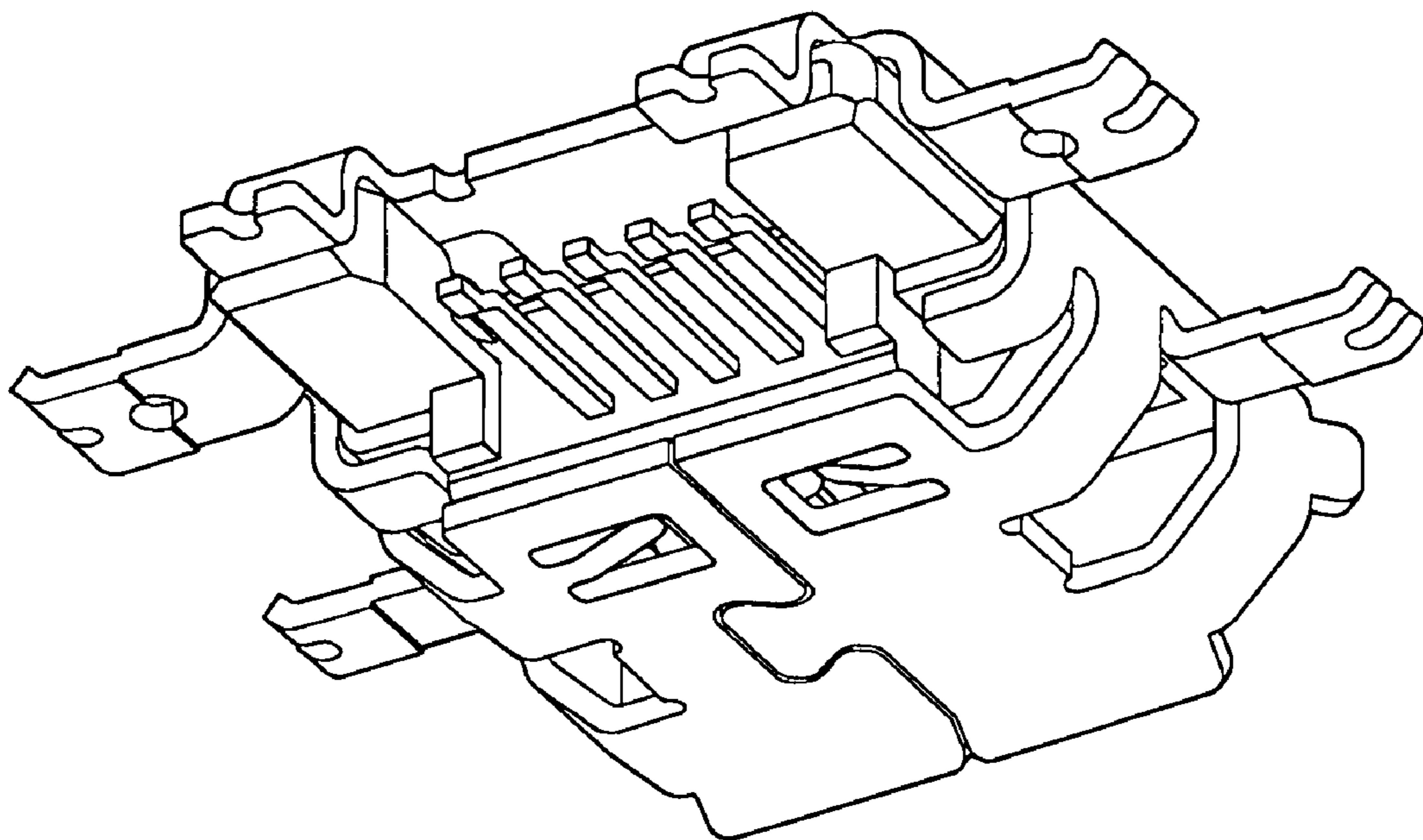
The broken lines of the internal elements of the connection in FIG. 8 is included to show unclaimed subject matter only and forms no part of the claimed design.

**1 Claim, 5 Drawing Sheets**

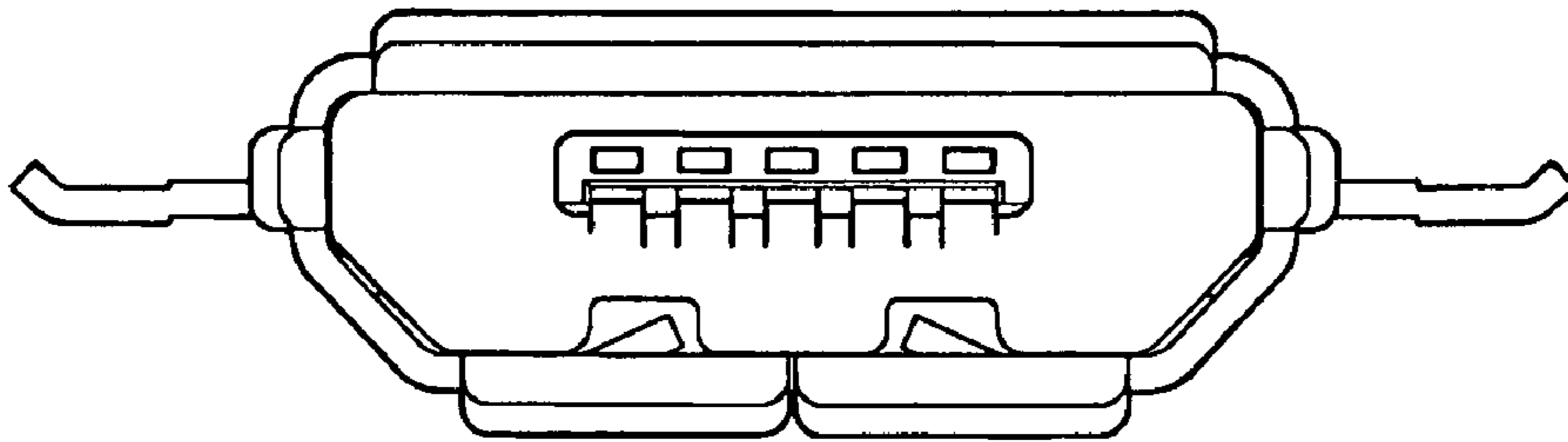




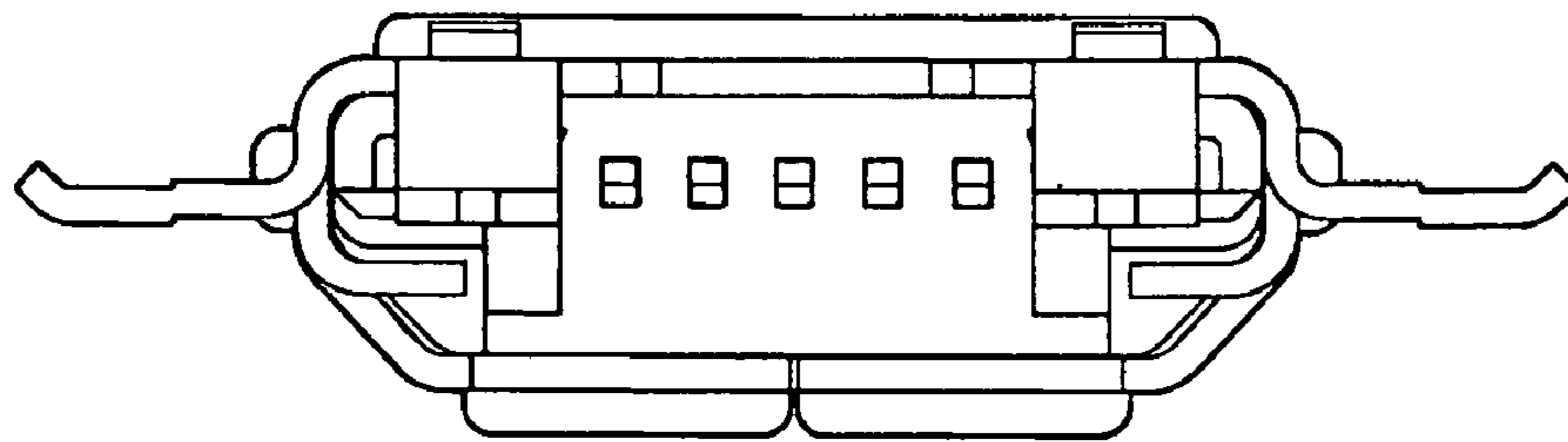
**FIG. 1**



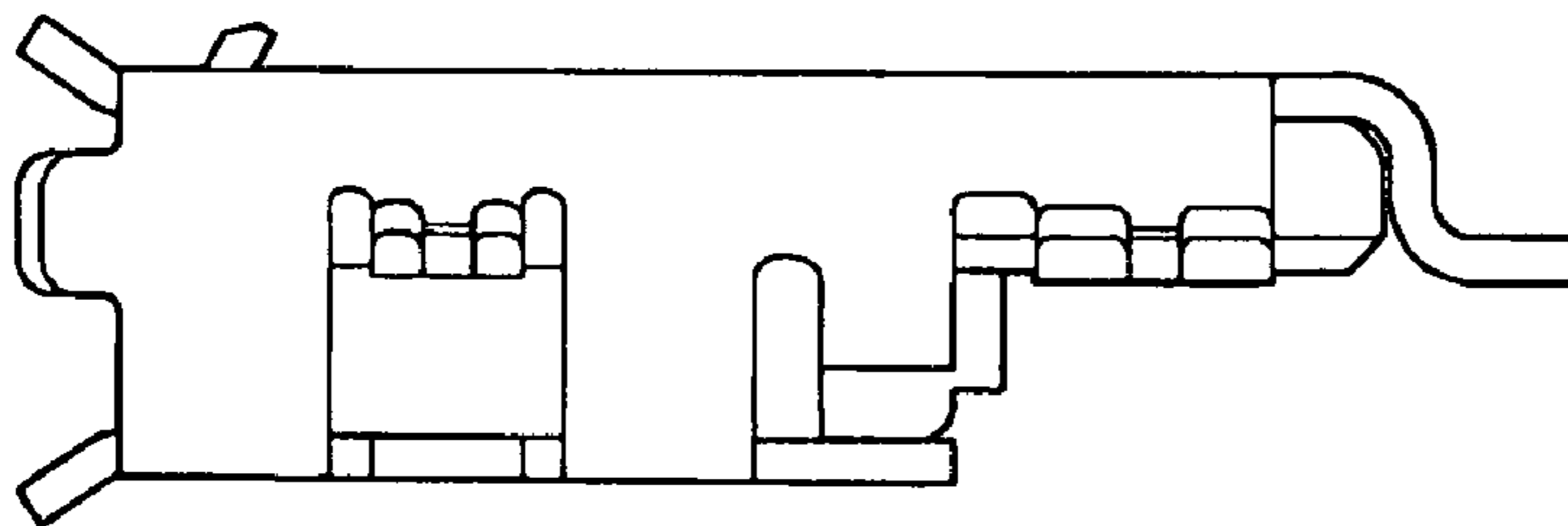
**FIG. 2**



**FIG. 3**



**FIG. 4**



**FIG. 5**

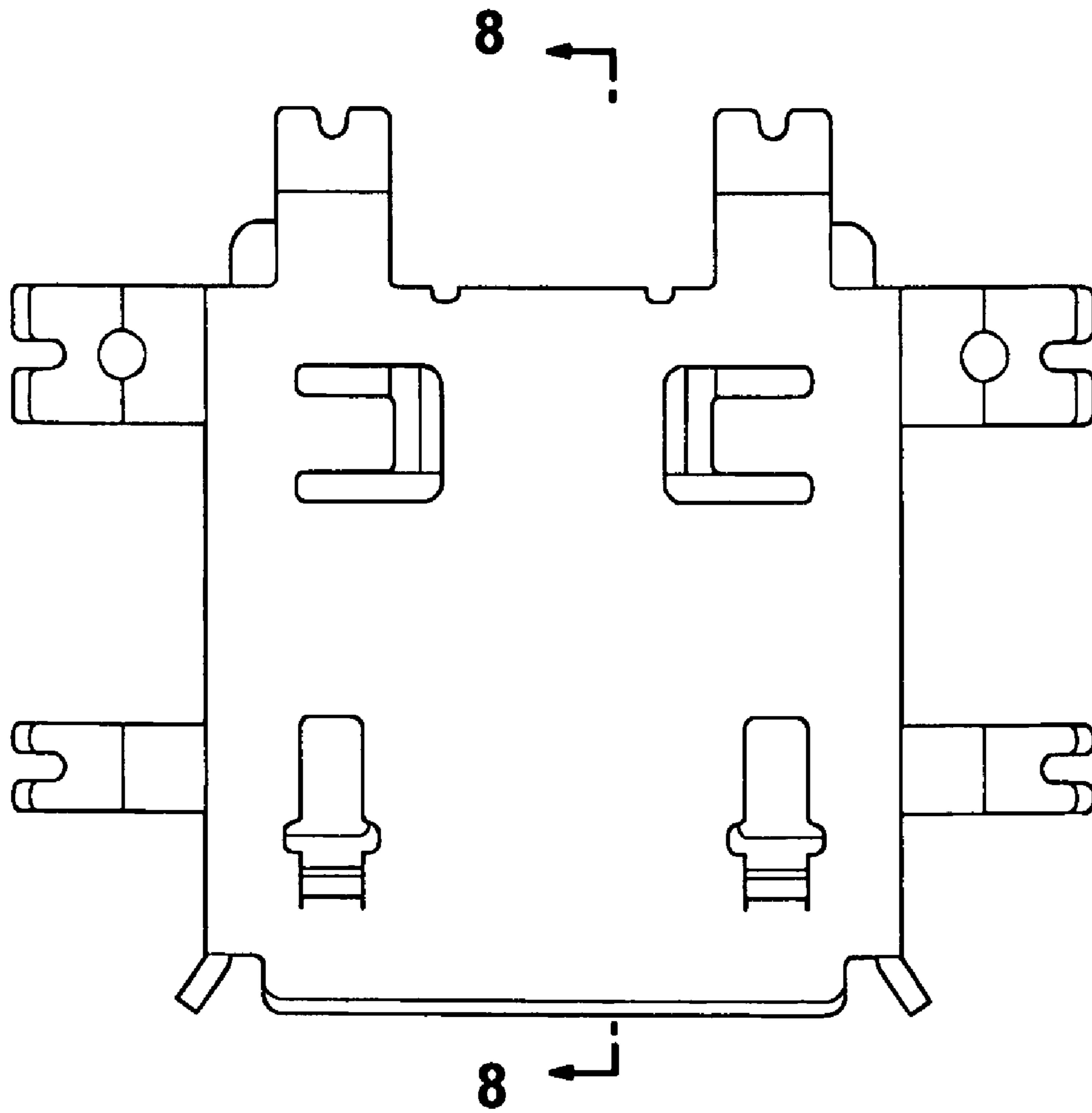
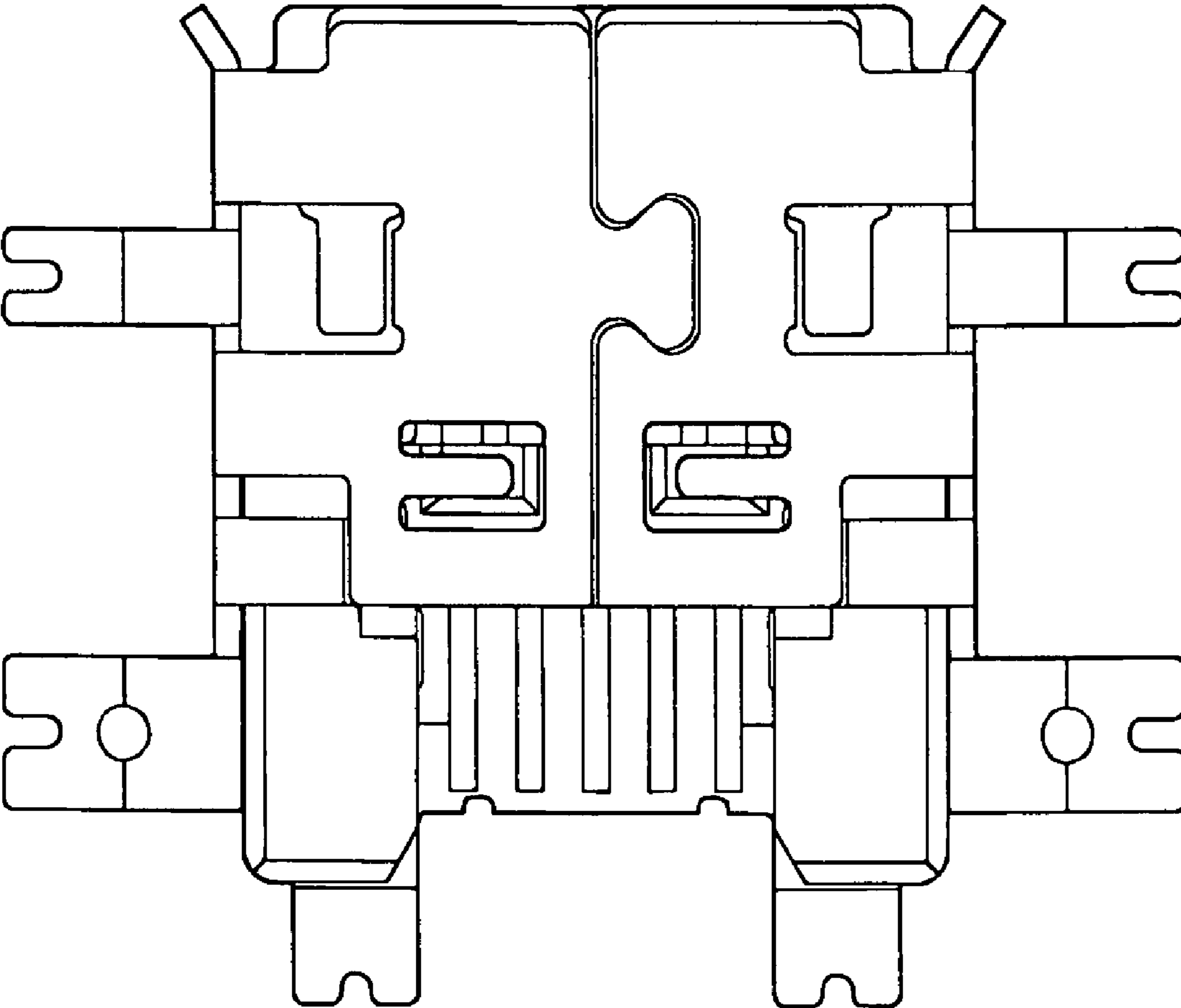
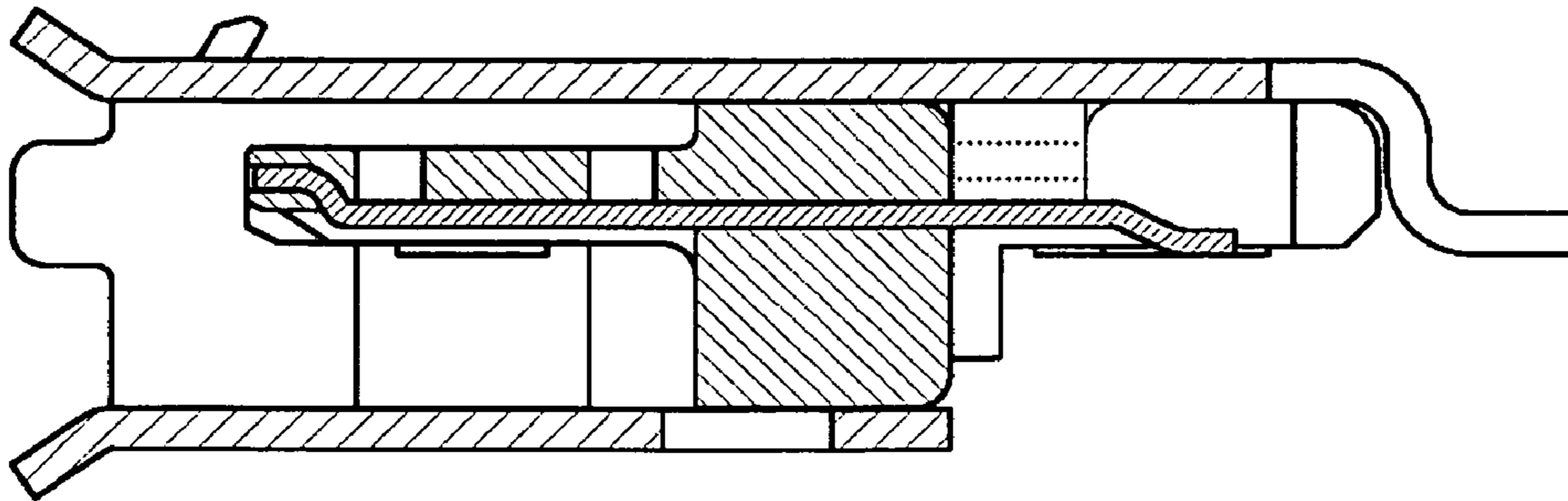


FIG. 6



**FIG. 7**



**FIG. 8**