

US00D589447S

(12) **United States Design Patent**
Sasada et al.

(10) **Patent No.:** **US D589,447 S**
(45) **Date of Patent:** **** Mar. 31, 2009**

(54) **PHOTOELECTRIC-TRANSFER CONNECTOR FOR OPTICAL FIBER**

(75) Inventors: **Kosuke Sasada**, Yao (JP); **Takeshi Isoda**, Yao (JP); **Hiroshi Nakagawa**, Yao (JP)

(73) Assignee: **Hosiden Corporation**, Osaka (JP)

(**) Term: **14 Years**

(21) Appl. No.: **29/323,421**

(22) Filed: **Aug. 26, 2008**

Related U.S. Application Data

(62) Division of application No. 29/277,961, filed on Mar. 15, 2007, now Pat. No. Des. 584,688.

(30) **Foreign Application Priority Data**

Sep. 26, 2006 (JP) 2006-25653
Sep. 26, 2006 (JP) 2006-25654

(51) **LOC (9) Cl.** **13-03**

(52) **U.S. Cl.** **D13/133; D13/147**

(58) **Field of Classification Search** D13/101, D13/123, 133, 146, 147, 149, 153, 154; D16/130, D16/136, 242, 245; 385/15, 25, 31, 39; 439/246, 445, 532-533, 607-610, 888-889, 439/894, 943, 948, 954

See application file for complete search history.

(56) **References Cited**

U.S. PATENT DOCUMENTS

D325,372 S * 4/1992 Taguchi et al. D13/147
D413,103 S * 8/1999 Wu D13/147
D449,821 S * 10/2001 Shimojyo D13/147
D454,113 S * 3/2002 Ikeda et al. D13/133
D461,772 S * 8/2002 Zhou D13/133
D462,055 S * 8/2002 Shi et al. D13/133
D465,767 S * 11/2002 Zhu et al. D13/147

6,926,557 B1 * 8/2005 Yamaguchi et al. 439/607
D530,672 S * 10/2006 Mine et al. D13/147
D537,037 S * 2/2007 Takehara et al. D13/133
D552,550 S * 10/2007 Lin et al. D13/133

* cited by examiner

Primary Examiner—Daniel D Bui

Assistant Examiner—Thomas J Johannes

(74) *Attorney, Agent, or Firm*—Panitch Schwarze Belisario & Nadel LLP

(57) **CLAIM**

The ornamental design for a photoelectric-transfer connector for optical fiber, as shown and described.

DESCRIPTION

FIG. 1 is a front, right, top perspective view of a photoelectric-transfer connector for optical fiber showing our new design;

FIG. 2 is a rear, left and top perspective view thereof;

FIG. 3 is a front elevation view thereof;

FIG. 4 is a rear elevation view thereof;

FIG. 5 is a left side elevation view thereof;

FIG. 6 is a right side elevation view thereof;

FIG. 7 is a top plan view thereof;

FIG. 8 is a bottom plan view thereof;

FIG. 9 is an enlarged sectional view taken along a line 9—9 in FIG. 3;

FIG. 10 is an enlarged sectional view taken along a line 10—10 in FIG. 3; and,

FIG. 11 is an enlarged sectional view taken along a line 11—11 in FIG. 3.

The cross-sectional views shown in FIGS. 9, 10, and 11 are included for the purpose of showing external surface contours which may not be clear from the remaining illustrations. Any features of internal construction which are incidentally shown form no part of the claimed design.

1 Claim, 6 Drawing Sheets

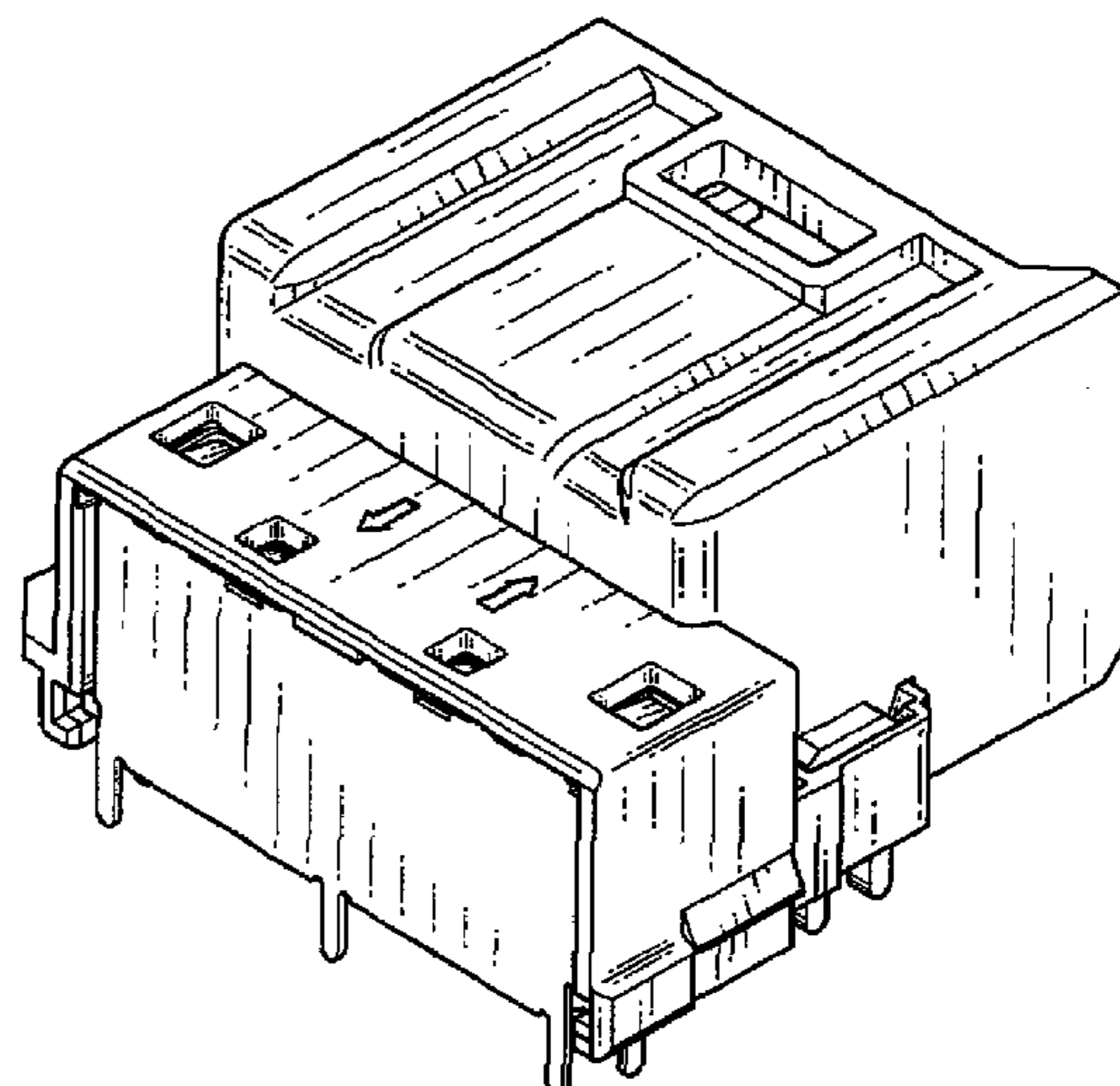
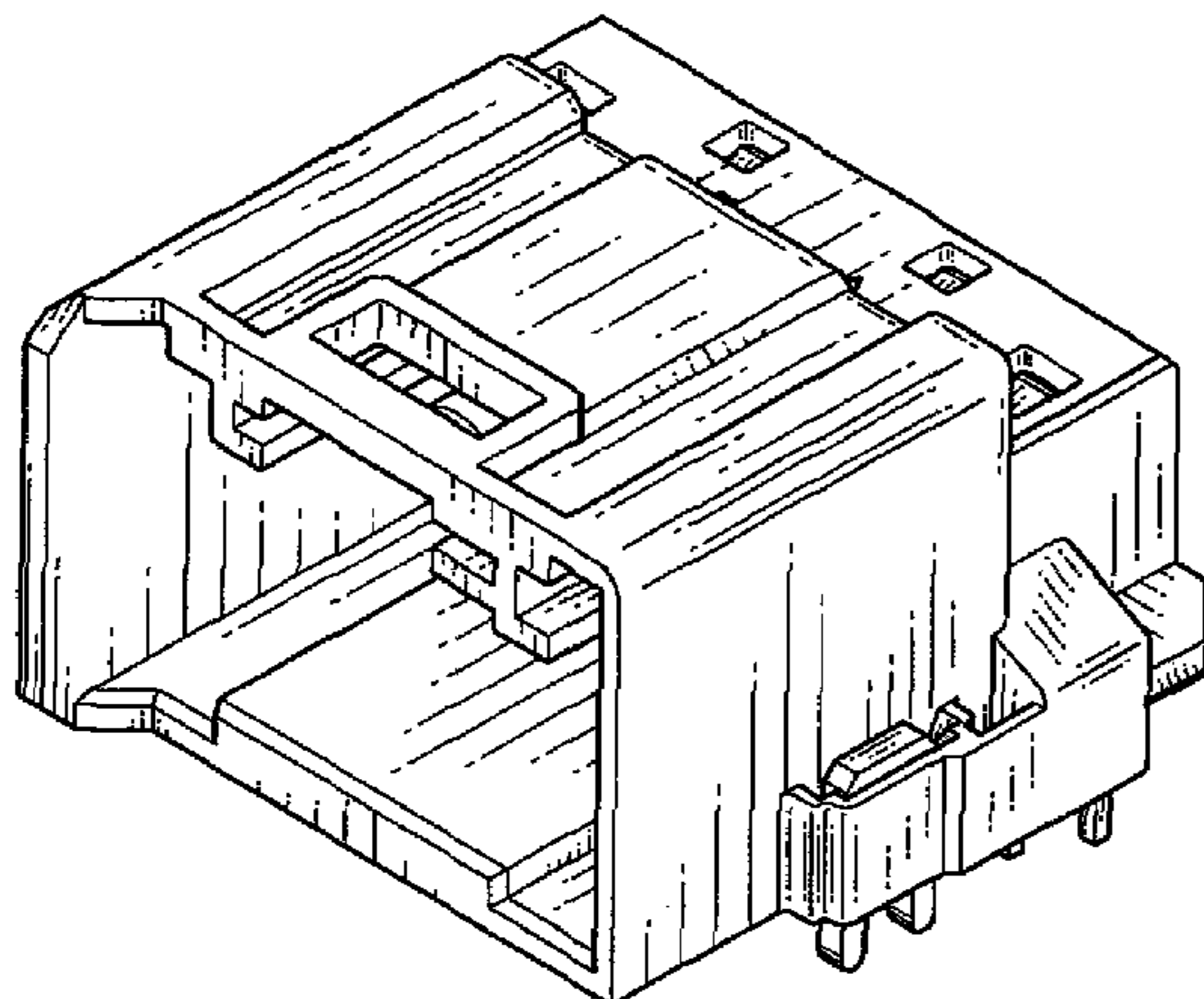


Fig. 1

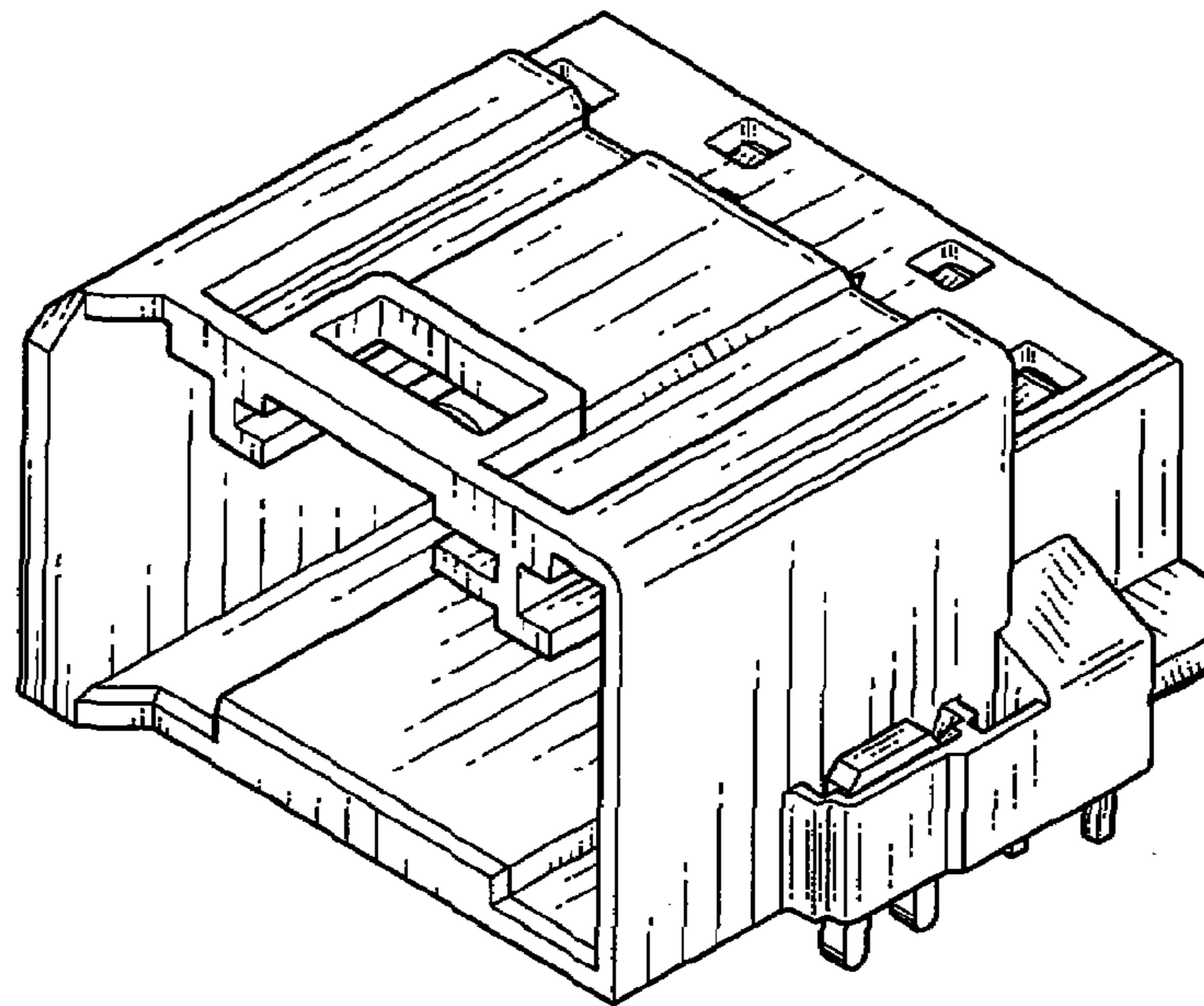


Fig. 2

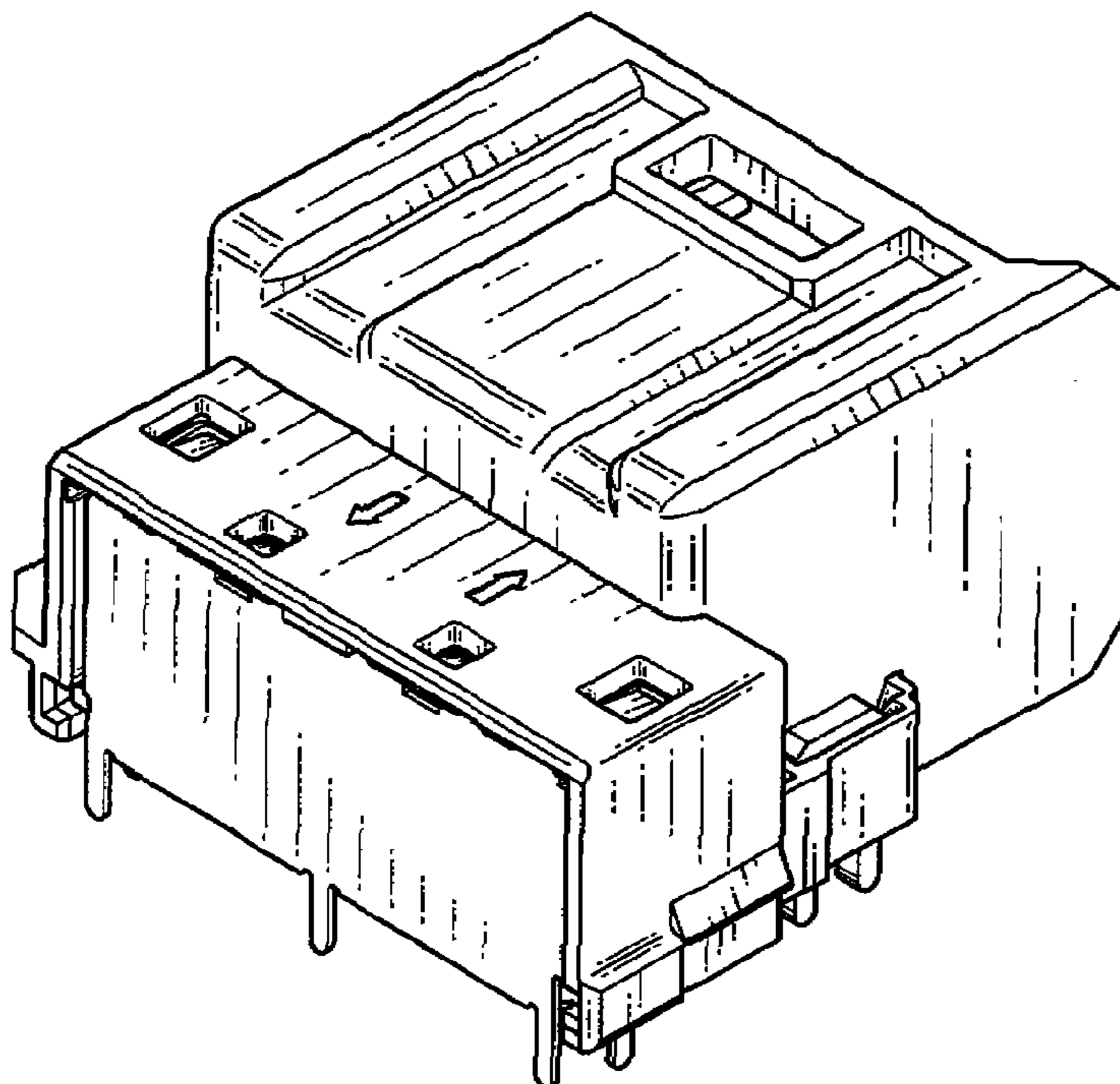


Fig. 3

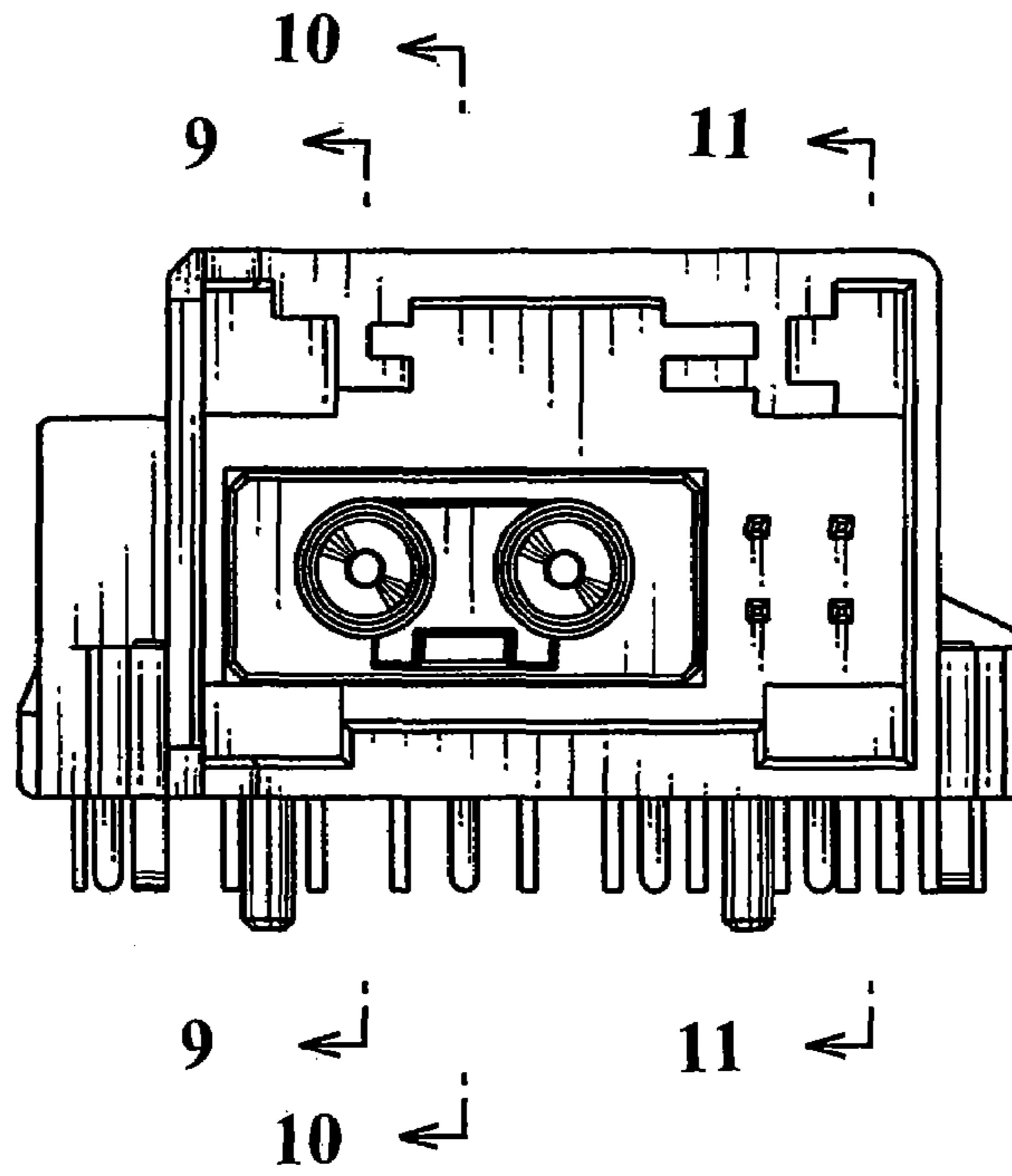


Fig. 4

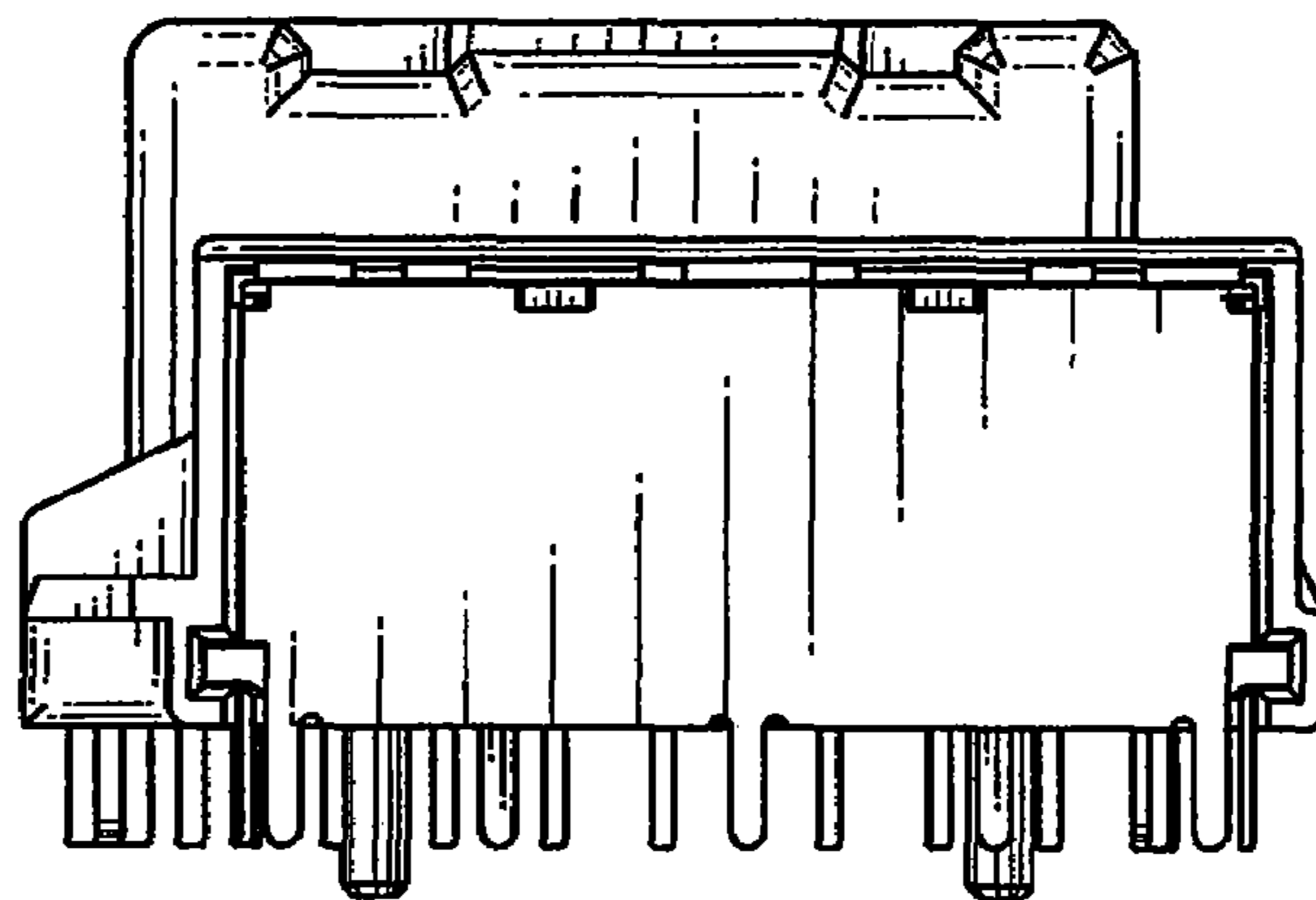


Fig. 5

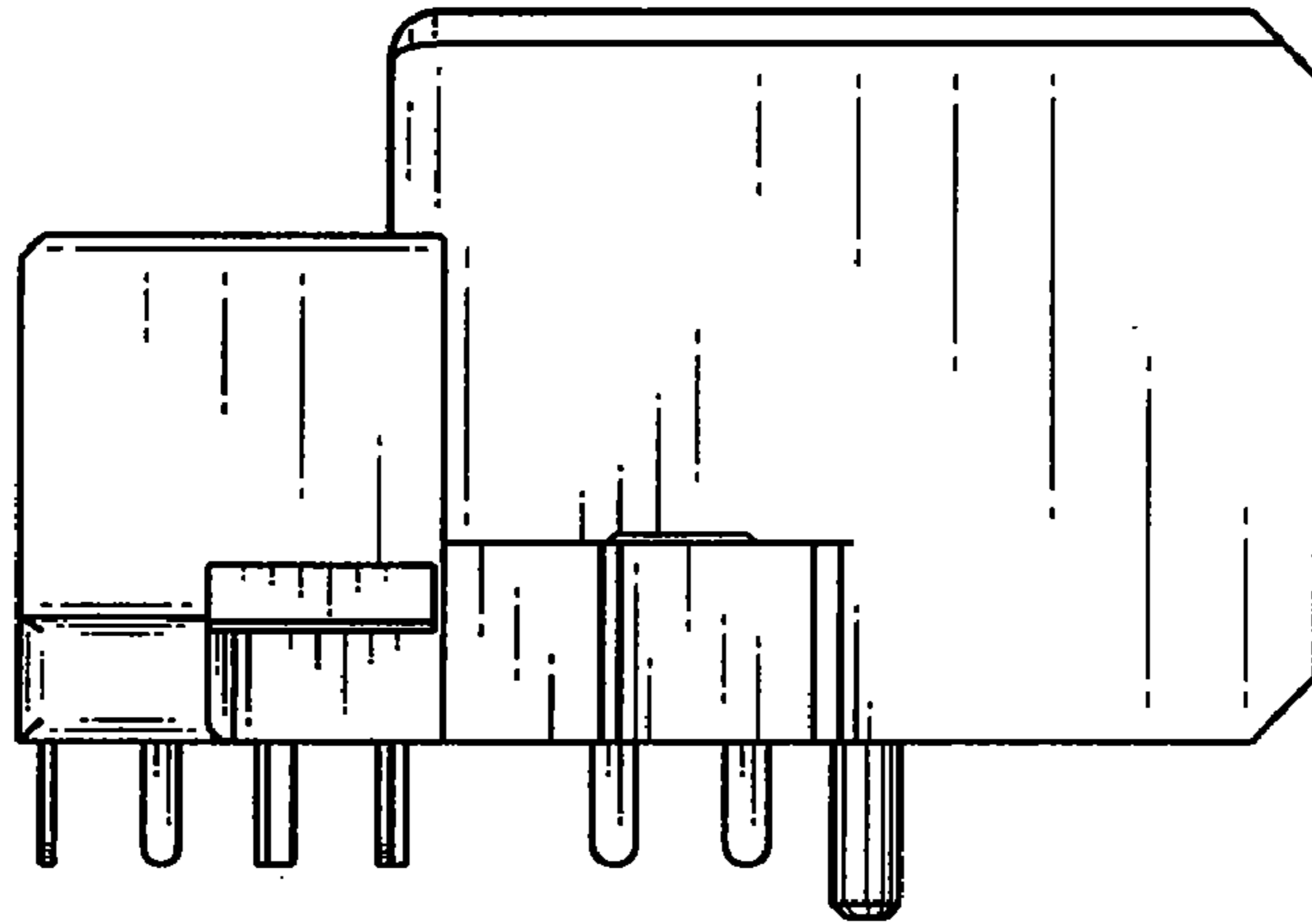


Fig. 6

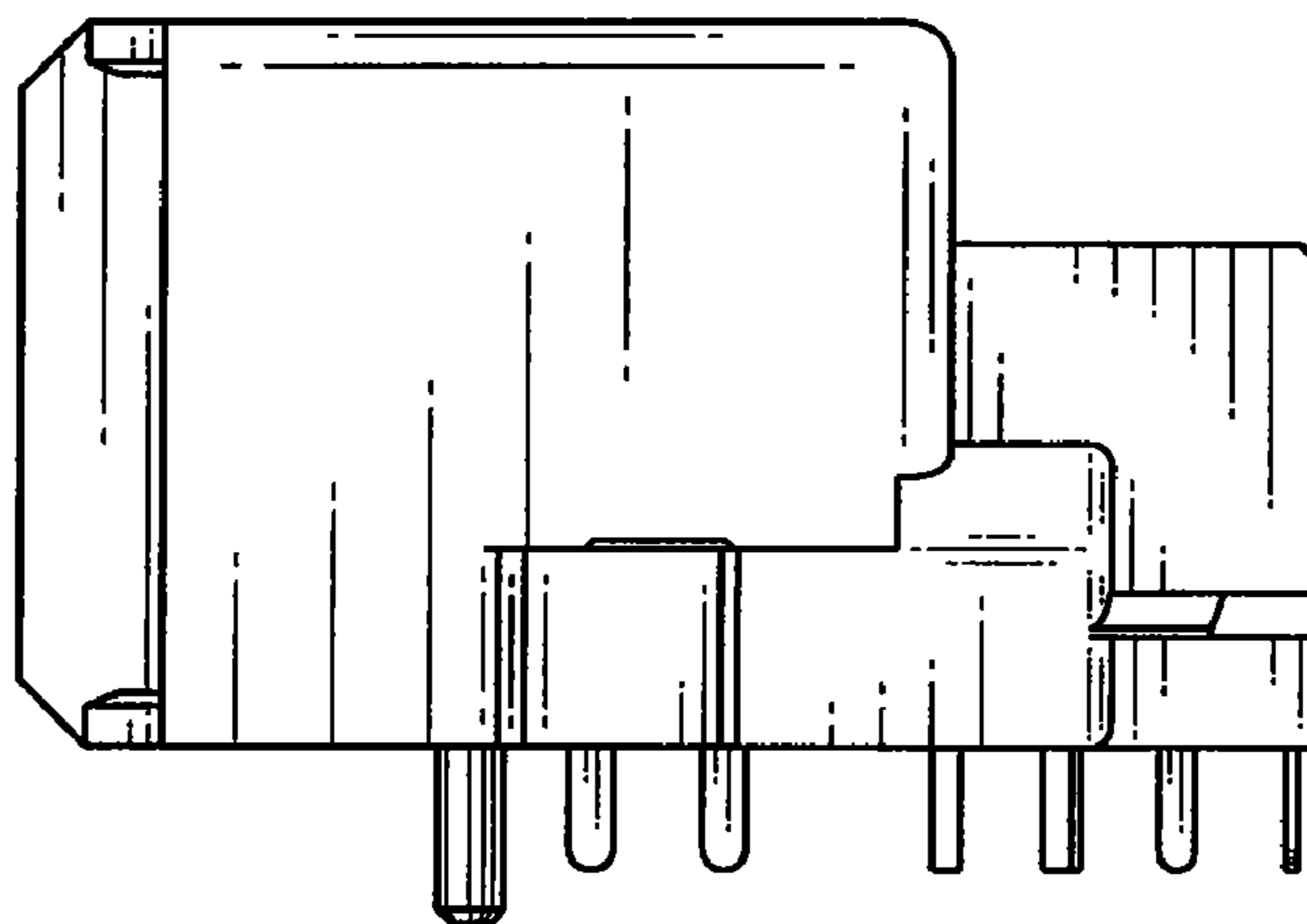


Fig. 7

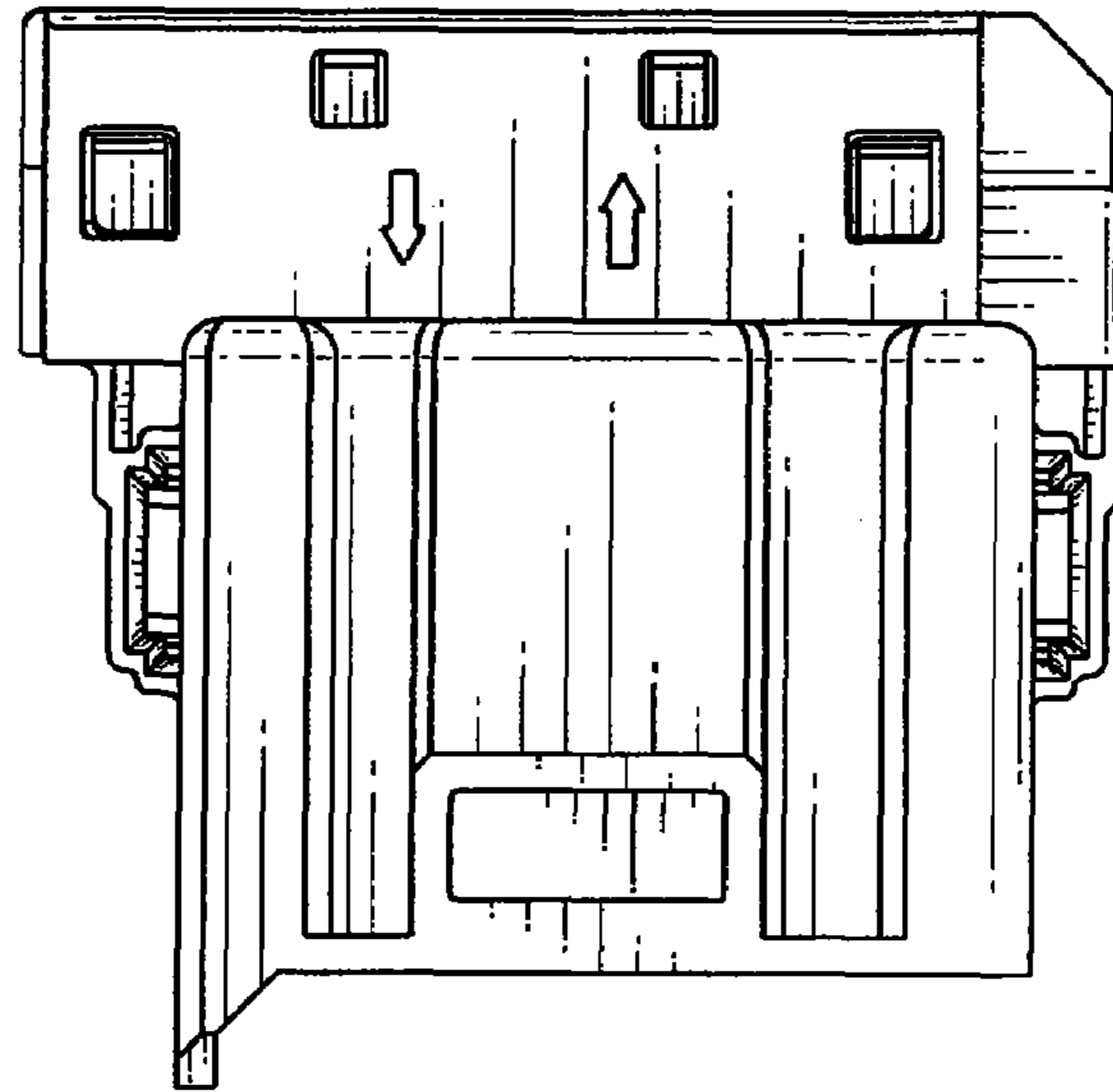


Fig. 8

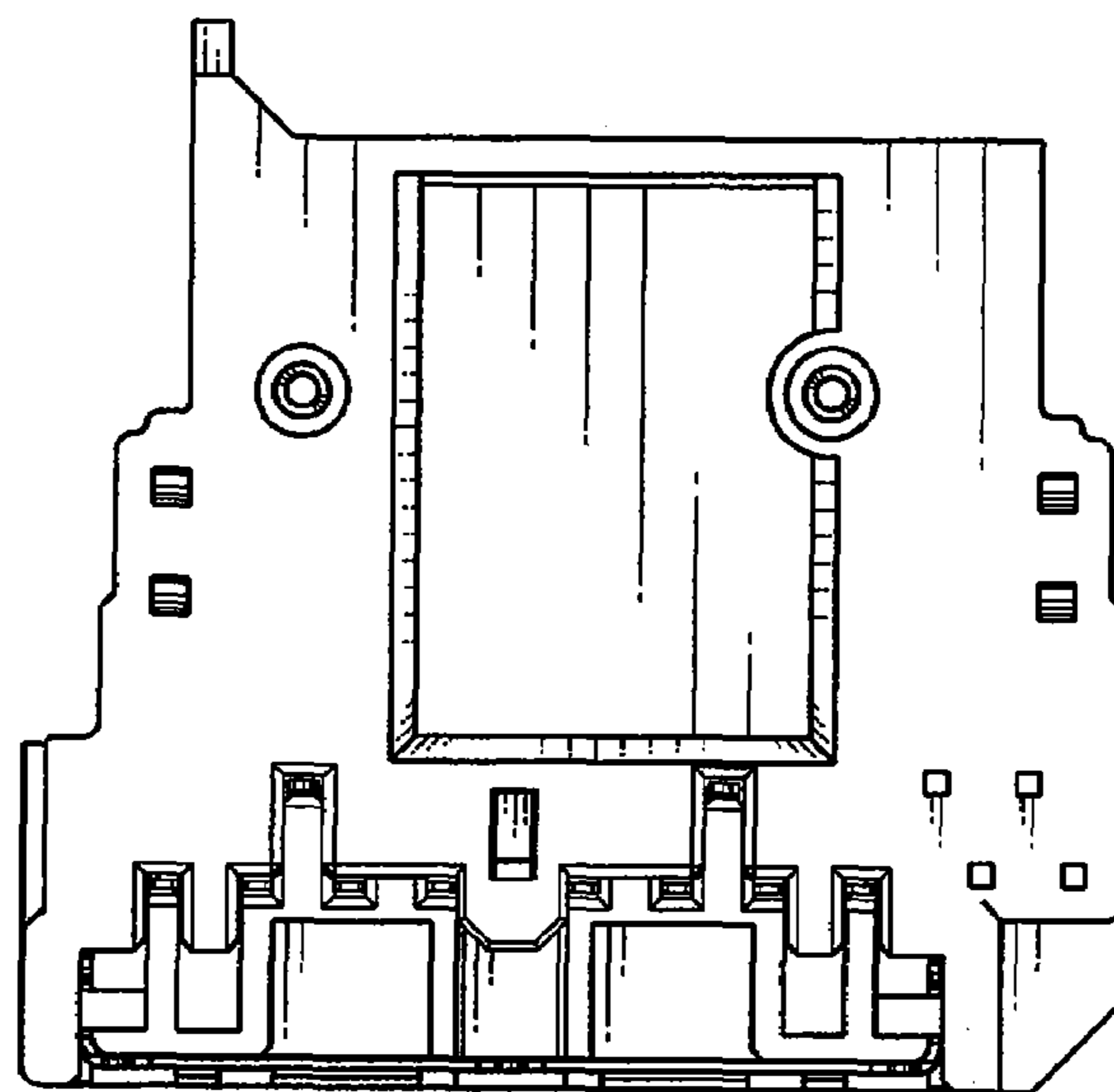


Fig. 9

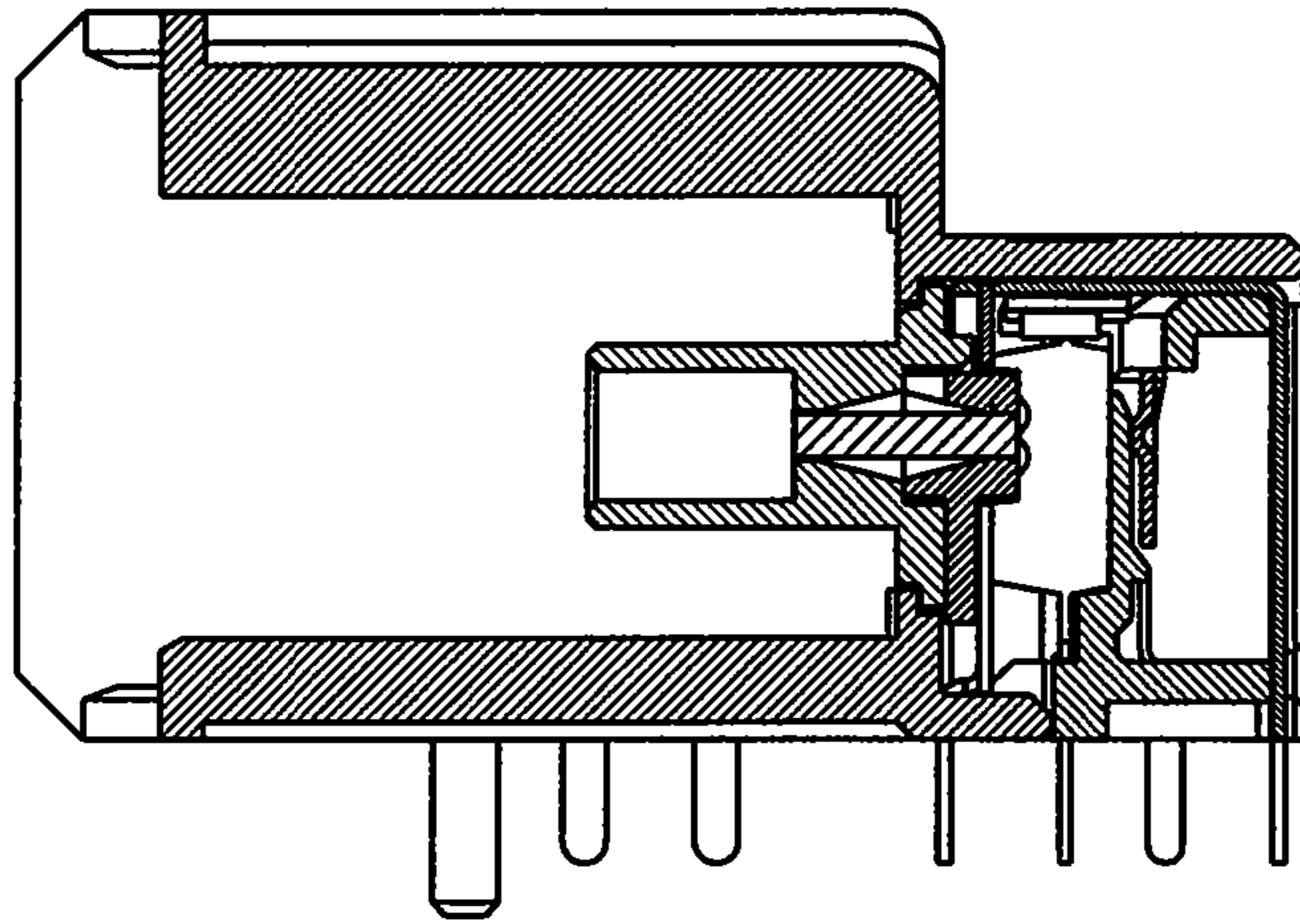


Fig. 10

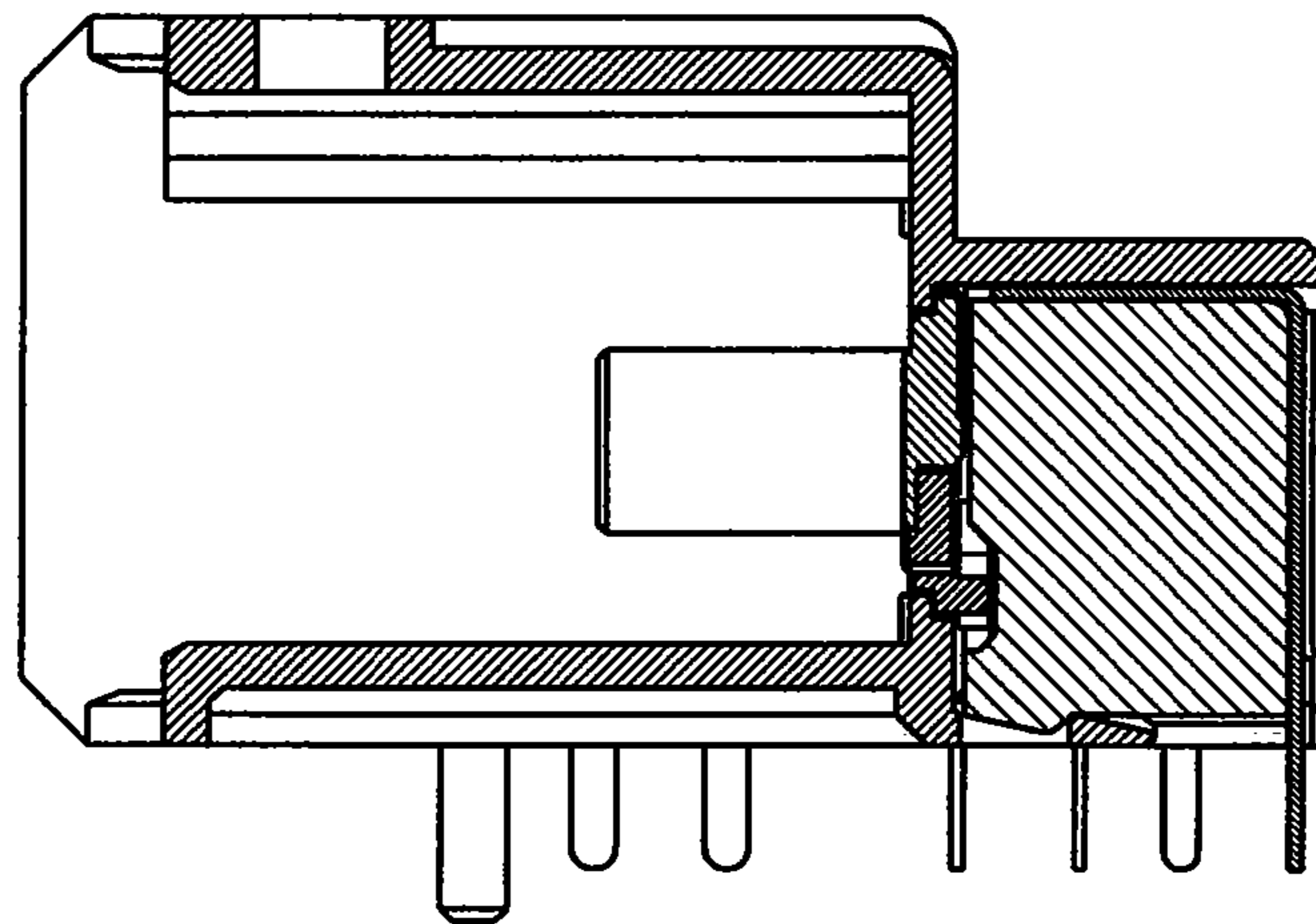


Fig. 11

