



US00D589445S

(12) **United States Design Patent**
Arai et al.

(10) **Patent No.:** **US D589,445 S**
(45) **Date of Patent:** **** Mar. 31, 2009**

(54) **ELECTRICAL CONNECTOR**

(75) Inventors: **Atsushi Arai**, Toyama (JP); **Kaoru Kanda**, Toyama (JP)

(73) Assignee: **SMK Corporation**, Tokyo (JP)

(**) Term: **14 Years**

(21) Appl. No.: **29/303,679**

(22) Filed: **Feb. 14, 2008**

(30) **Foreign Application Priority Data**

Aug. 15, 2007 (JP) 2007-022240

(51) **LOC (9) Cl.** **13-03**

(52) **U.S. Cl.** **D13/133**

(58) **Field of Classification Search** D13/133,
D13/146, 147, 153, 154, 184; 439/675, 578,
439/581, 345, 346, 350, 352, 354, 357, 552,
439/557

See application file for complete search history.

(56) **References Cited**

U.S. PATENT DOCUMENTS

D351,587 S *	10/1994	Puchammer	D13/133
6,083,014 A *	7/2000	Bogdan et al.	439/98
6,364,685 B1 *	4/2002	Manning	439/357
D464,318 S *	10/2002	Togashi	D13/133
D573,949 S *	7/2008	Taira et al.	D13/133

* cited by examiner

Primary Examiner—Daniel D Bui

Assistant Examiner—Thomas J Johannes

(74) *Attorney, Agent, or Firm*—Sughrue Mion, PLLC

(57) **CLAIM**

The ornamental design for an electrical connector, as shown and described.

DESCRIPTION

FIG. 1 is a perspective view of the top, front and right side of an electrical connector showing our new design;

FIG. 2 is a perspective view of the bottom, rear and right side thereof;

FIG. 3 is a front elevational view thereof;

FIG. 4 is a rear elevational view thereof;

FIG. 5 is a right side elevational view thereof, with the left side being a mirror image;

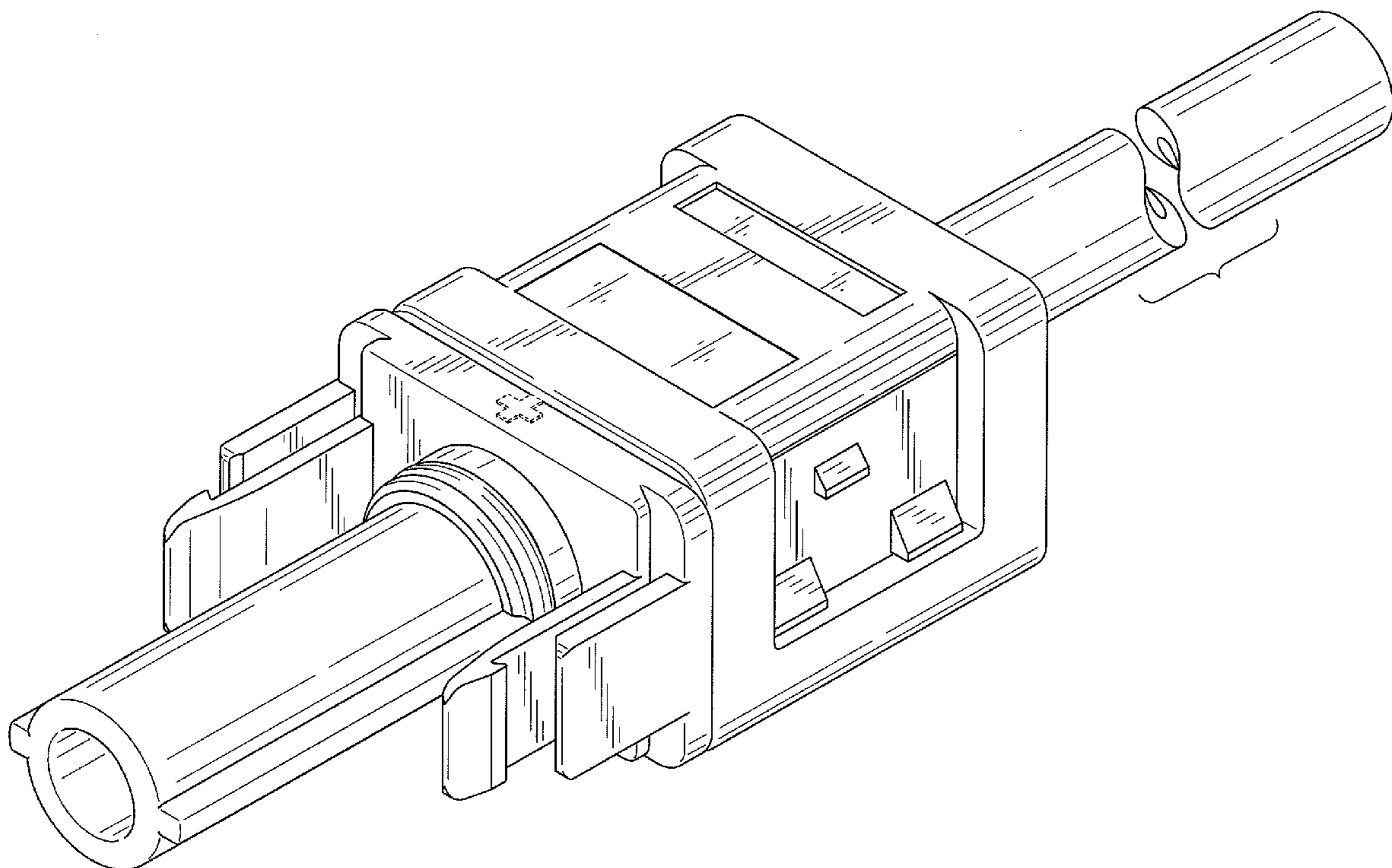
FIG. 6 is a top plan view thereof; and,

FIG. 7 is a bottom plan view thereof.

The cable portion is shown broken away with a solid, wavy, cut-off line and a bracket in the figures to indicate “no specific length”, it being understood that the cable portion has a uniform shape and appearance through out its length.

The portions shown in broken lines are for illustrative purposes only and form no part of the claimed design.

1 Claim, 6 Drawing Sheets



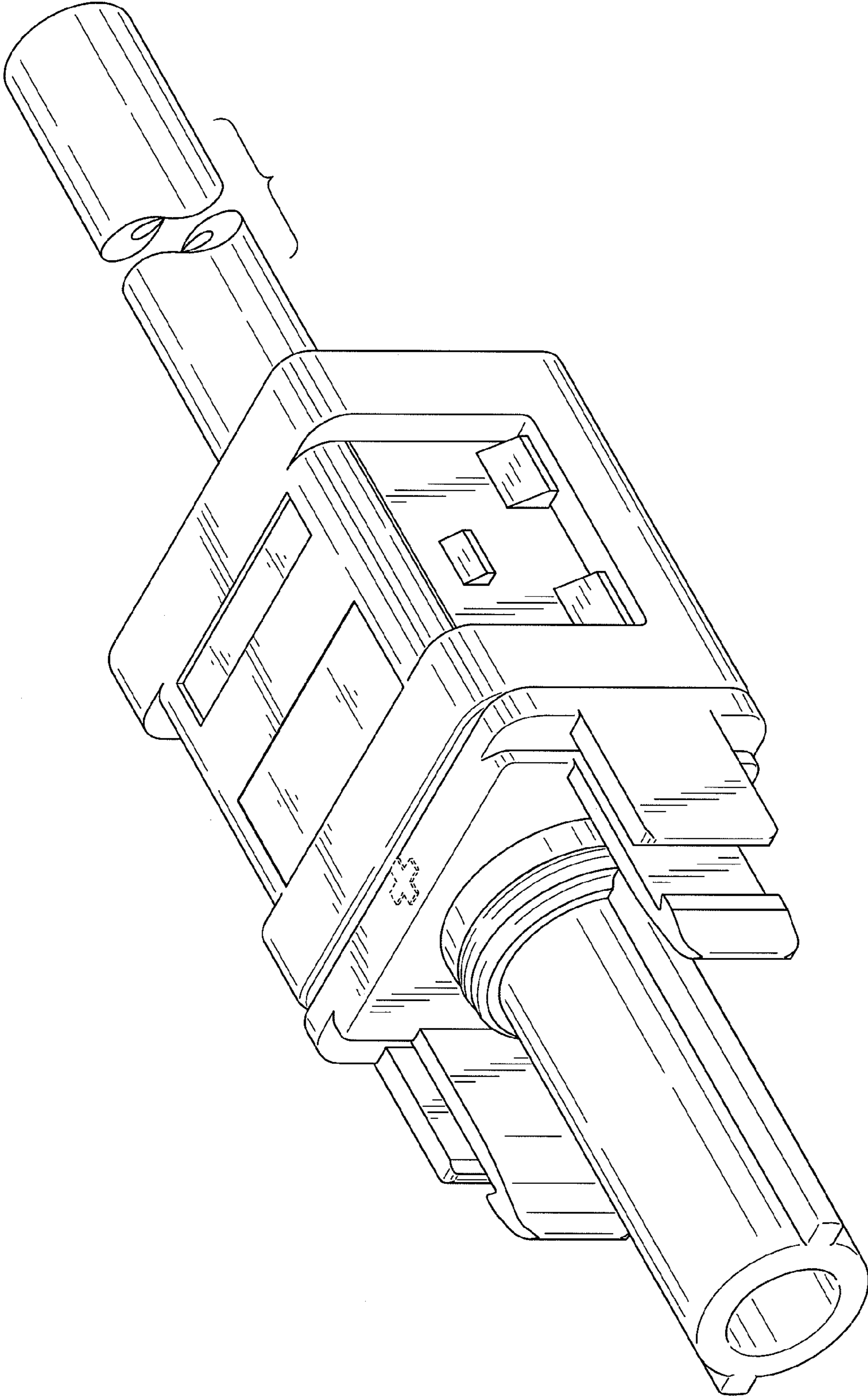


FIG. 1

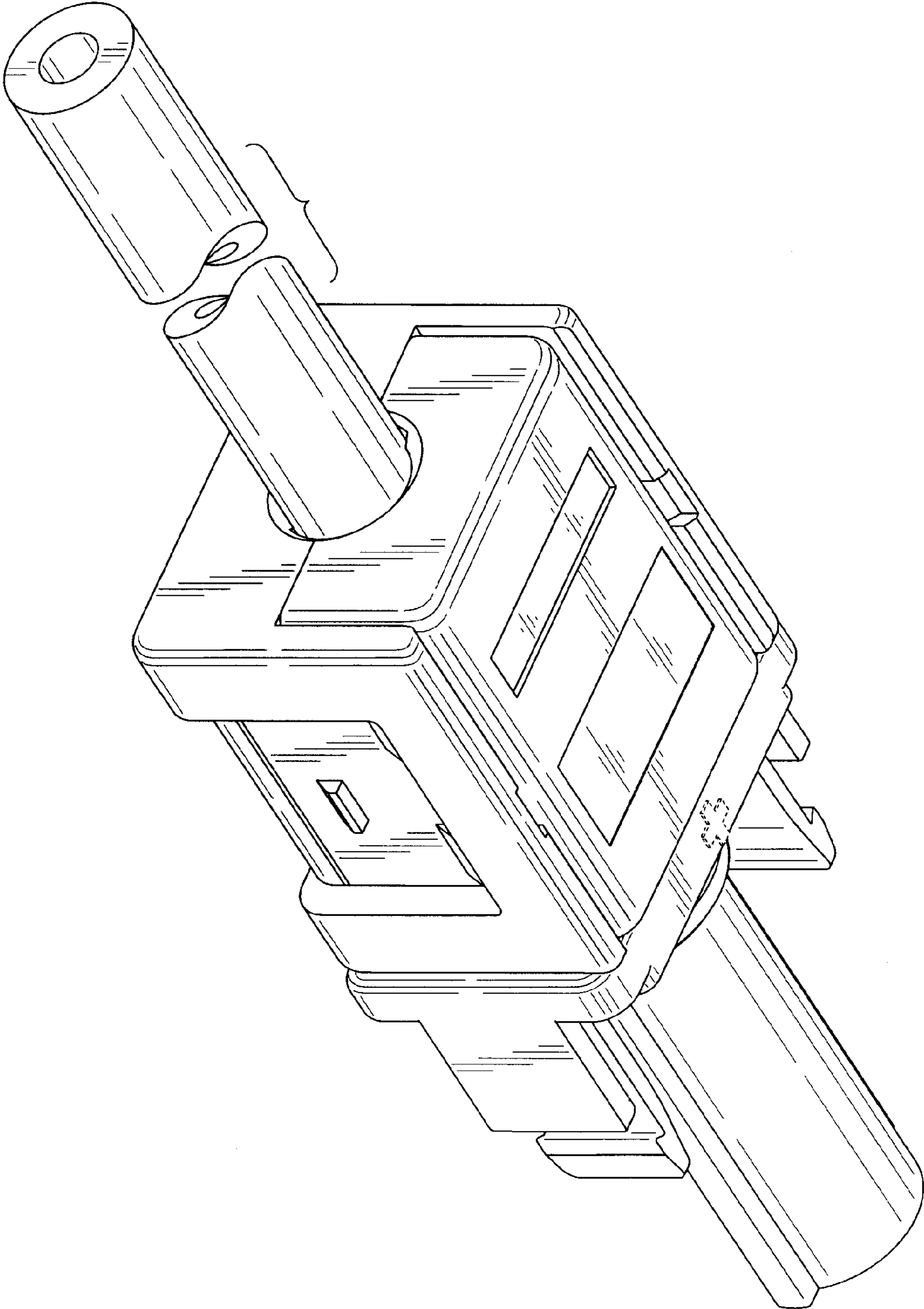


FIG. 2

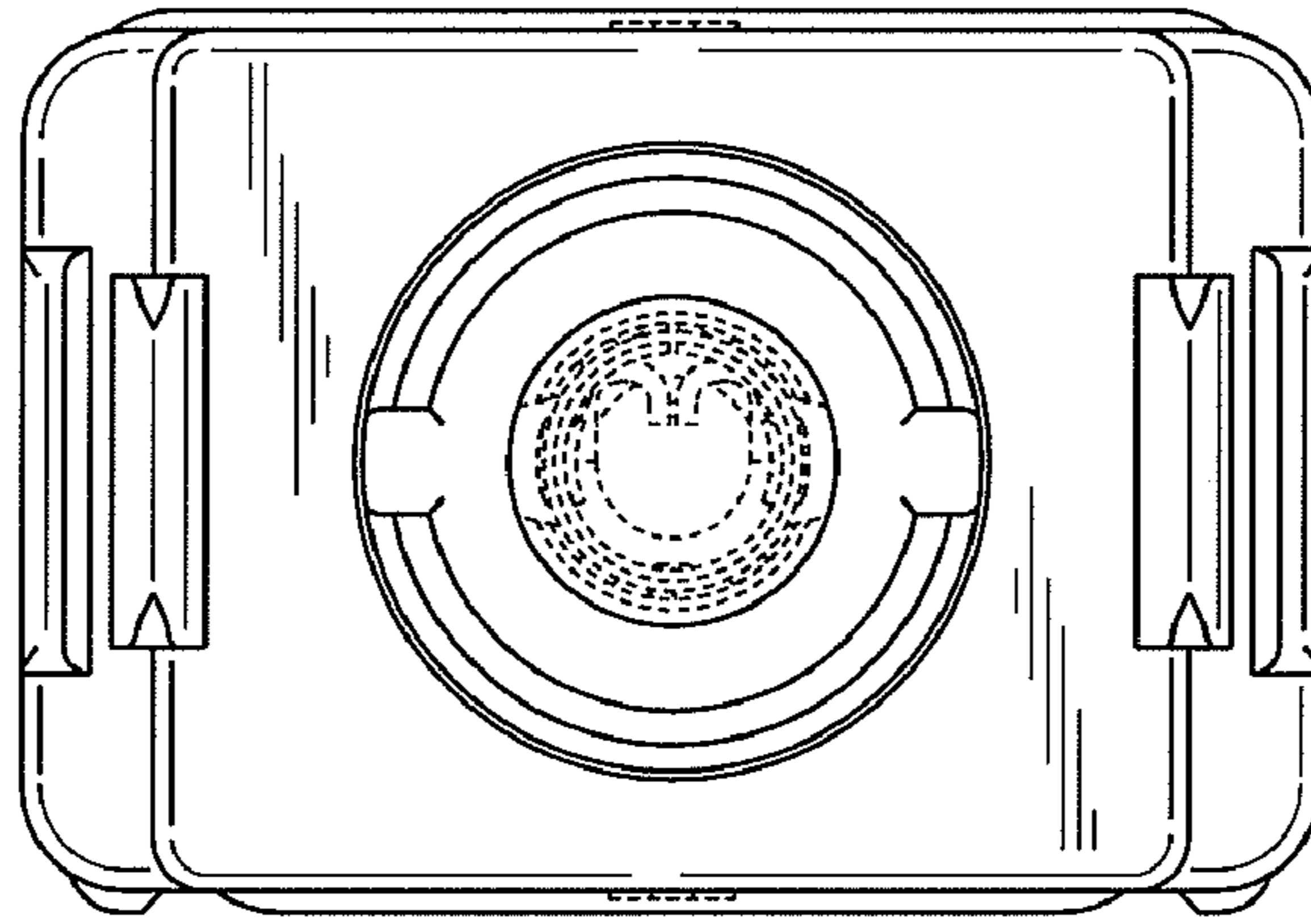


FIG. 3

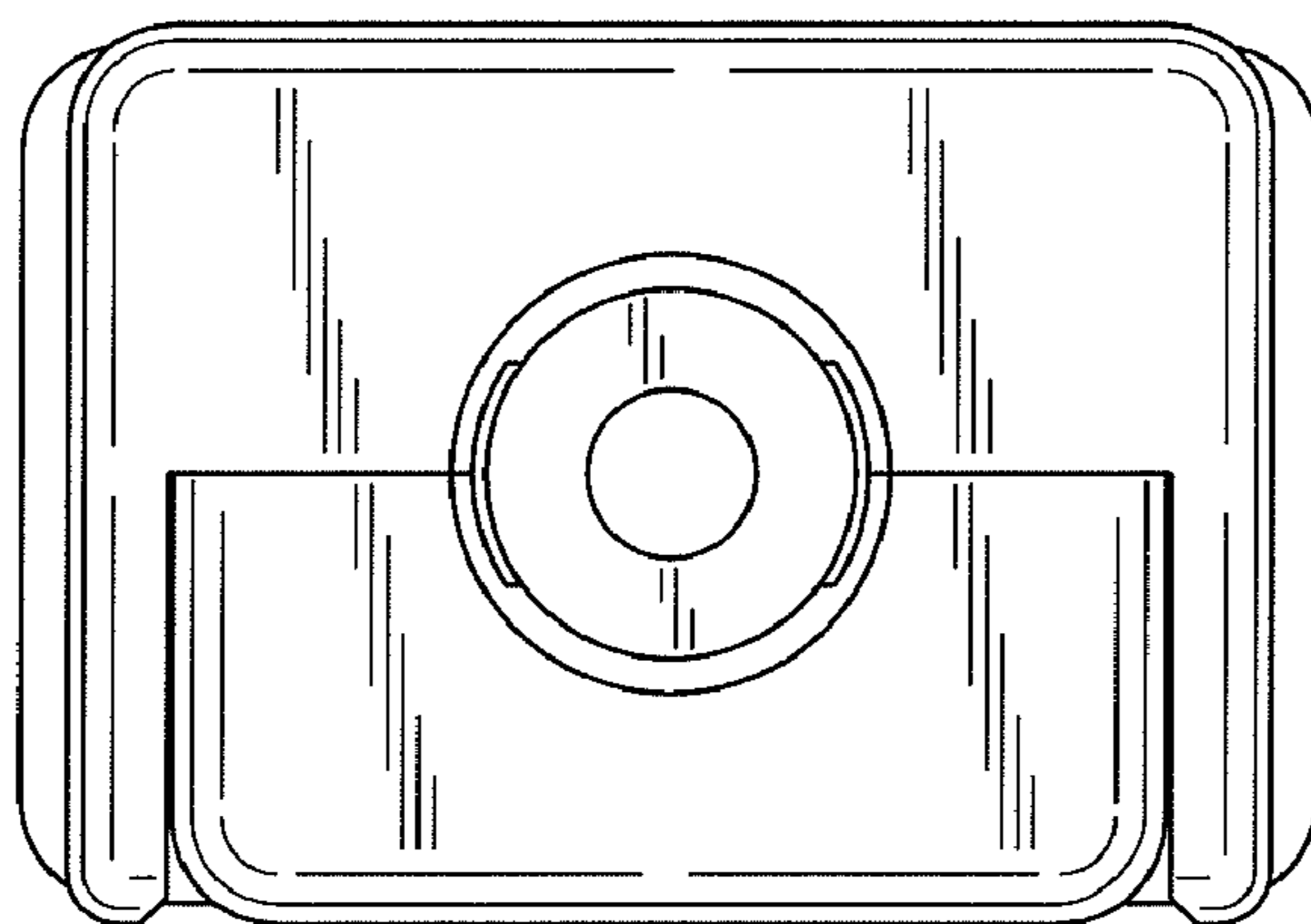


FIG. 4

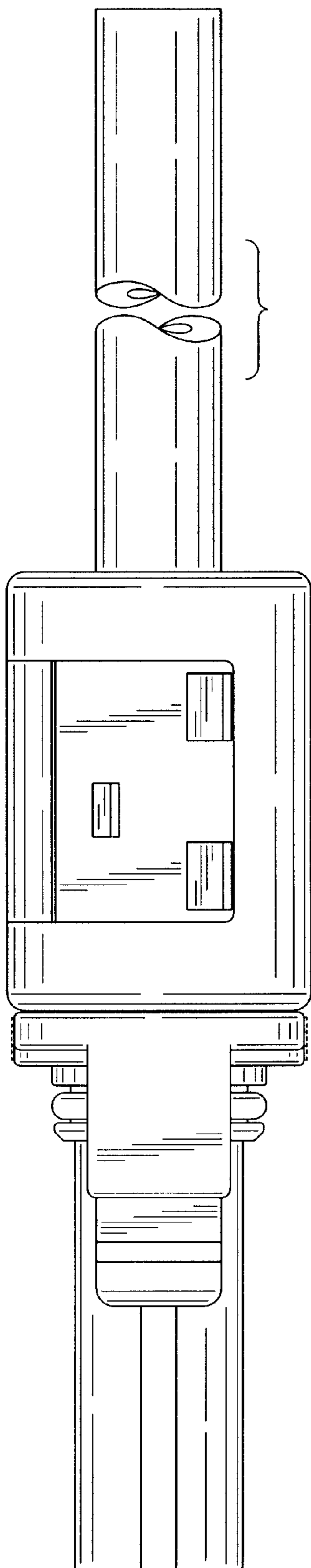


FIG. 5

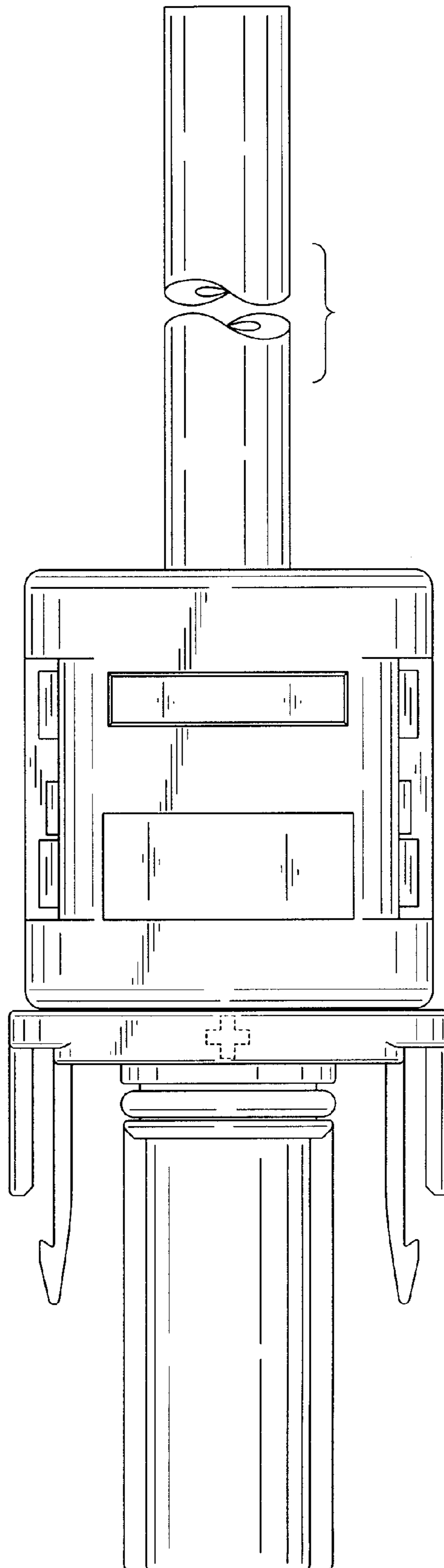


FIG. 6

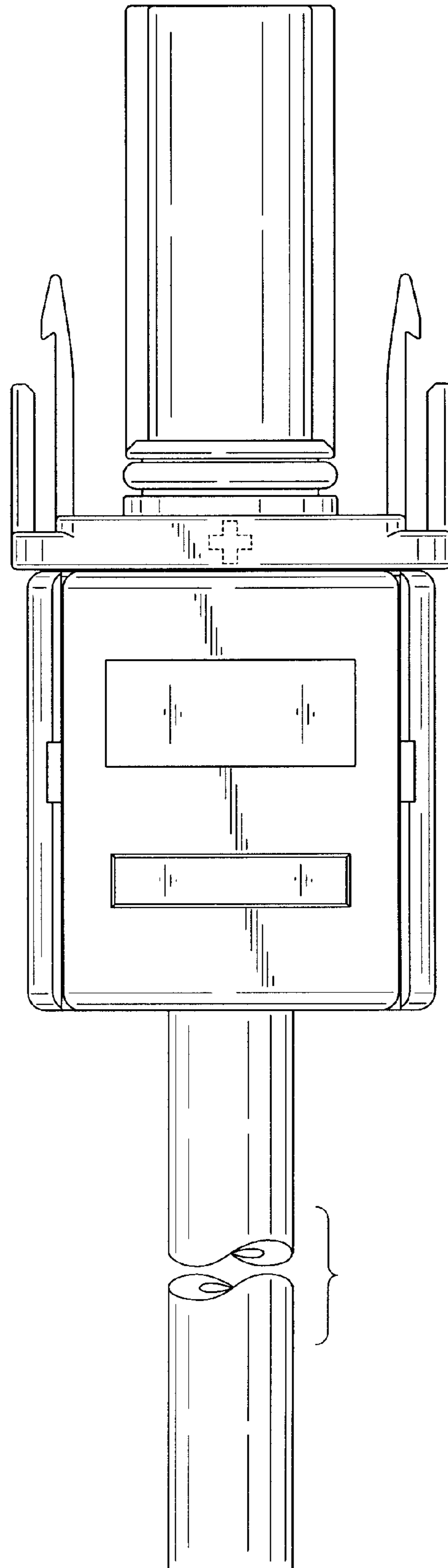


FIG. 7