



US00D589442S

(12) **United States Design Patent**
Crawley

(10) **Patent No.:** **US D589,442 S**
(45) **Date of Patent:** **** Mar. 31, 2009**

(54) **CHARGER BASE FOR A VACUUM CLEANER**

(75) Inventor: **Graeme Crawley**, Newcastel-upon-Tyne (GB)

(73) Assignee: **Black & Decker Inc.**, Newark, DE (US)

(**) Term: **14 Years**

(21) Appl. No.: **29/294,662**

(22) Filed: **Jan. 22, 2008**

(30) **Foreign Application Priority Data**

Jul. 24, 2007 (EM) 000762745-0001

(51) **LOC (9) Cl.** **13-02**

(52) **U.S. Cl.** **D13/108; D32/31**

(58) **Field of Classification Search** D13/107-110,
D13/118-119, 184; D14/251, 253, 432,
D14/434; D32/31; 320/107-115

See application file for complete search history.

(56) **References Cited**

U.S. PATENT DOCUMENTS

D434,142 S * 11/2000 Cheney et al. D24/111
6,313,604 B1 * 11/2001 Chen 320/114
D466,476 S * 12/2002 Stratford D13/108
D520,944 S * 5/2006 Morita D13/108
D548,689 S * 8/2007 Baxter D13/108
D564,445 S * 3/2008 Stratford D13/108

D576,546 S * 9/2008 Yang D13/107

* cited by examiner

Primary Examiner—Jennifer Rivard

Assistant Examiner—Rosemary K Tarcza

(74) *Attorney, Agent, or Firm*—John Yun; Bruce S. Shapiro; Wesley Muller

(57) **CLAIM**

The ornamental design for a charger base for a vacuum cleaner, as shown and described.

DESCRIPTION

FIG. 1 is a top view of a charger base for a vacuum cleaner showing my new design;

FIG. 2 is a bottom view of a charger base for a vacuum cleaner according to FIG. 1;

FIG. 3 is a front view of a charger base for a vacuum cleaner according to FIG. 1;

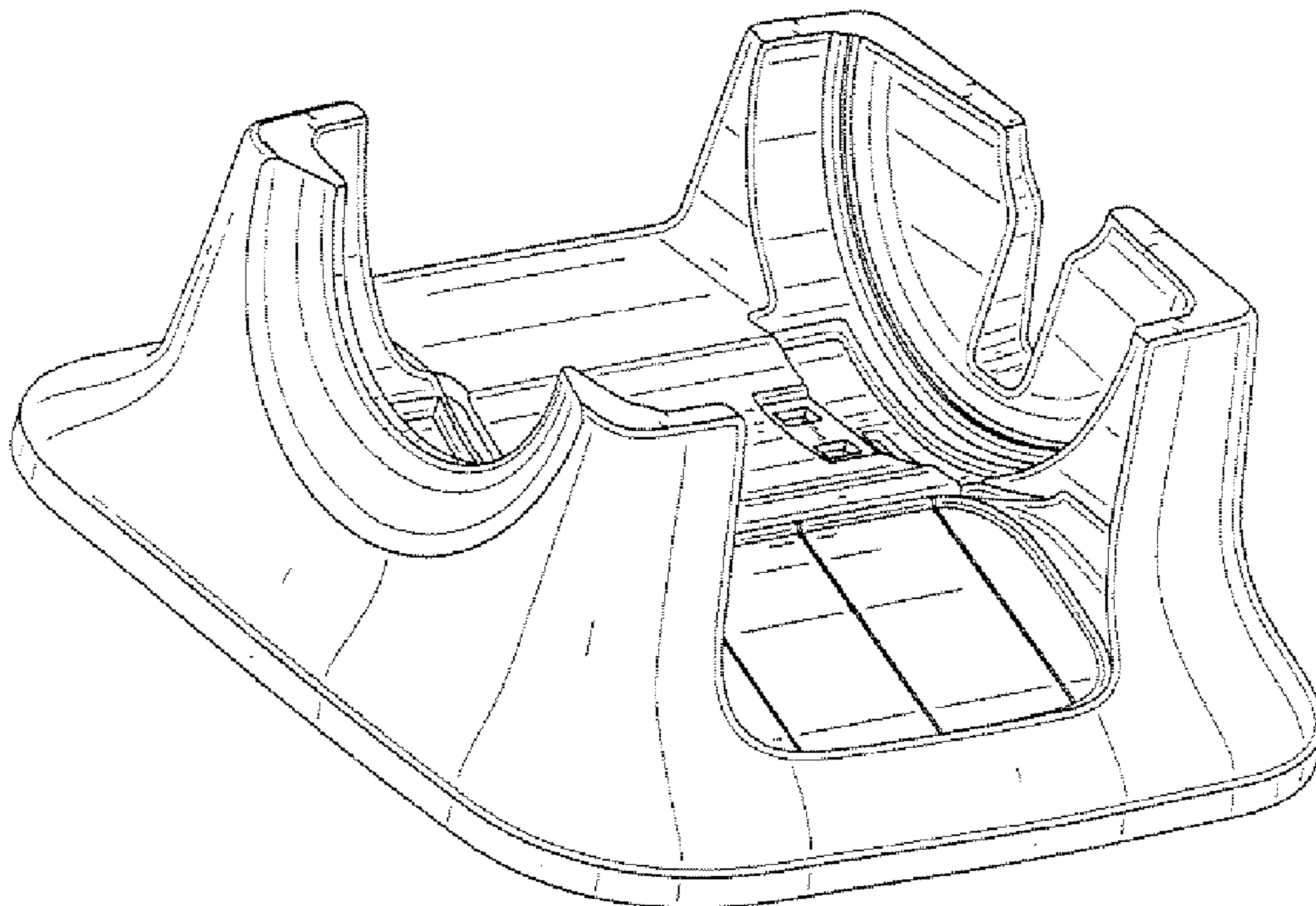
FIG. 4 is a perspective view of a charger base for a vacuum cleaner according to FIG. 1;

FIG. 5 is a rear view of a charger base for a vacuum cleaner according to FIG. 1;

FIG. 6 is a right side view of a charger base for a vacuum cleaner according to FIG. 1; and,

FIG. 7 is a left side view of a charger base for a vacuum cleaner according to FIG. 1.

1 Claim, 7 Drawing Sheets



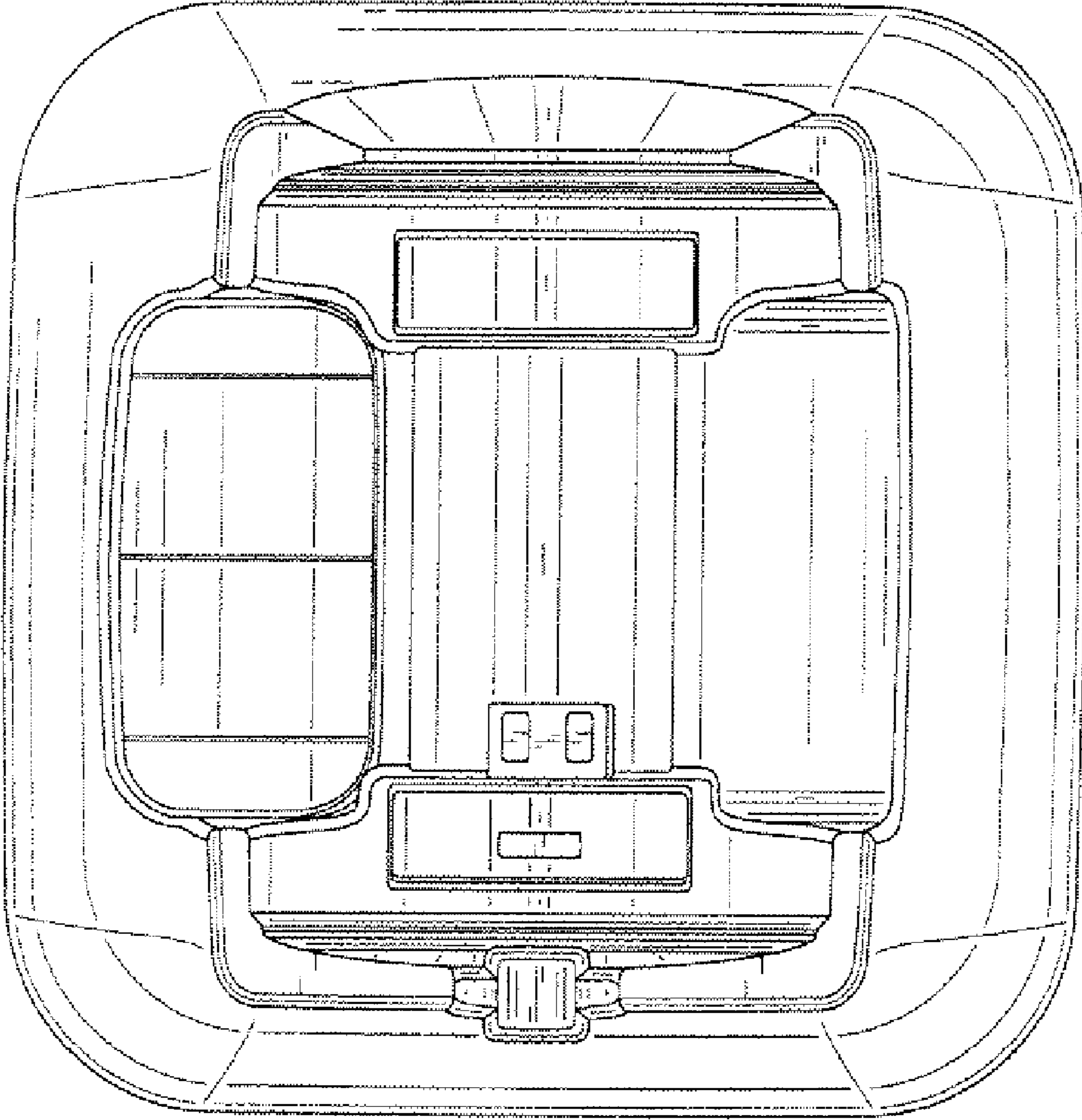


FIG. 1

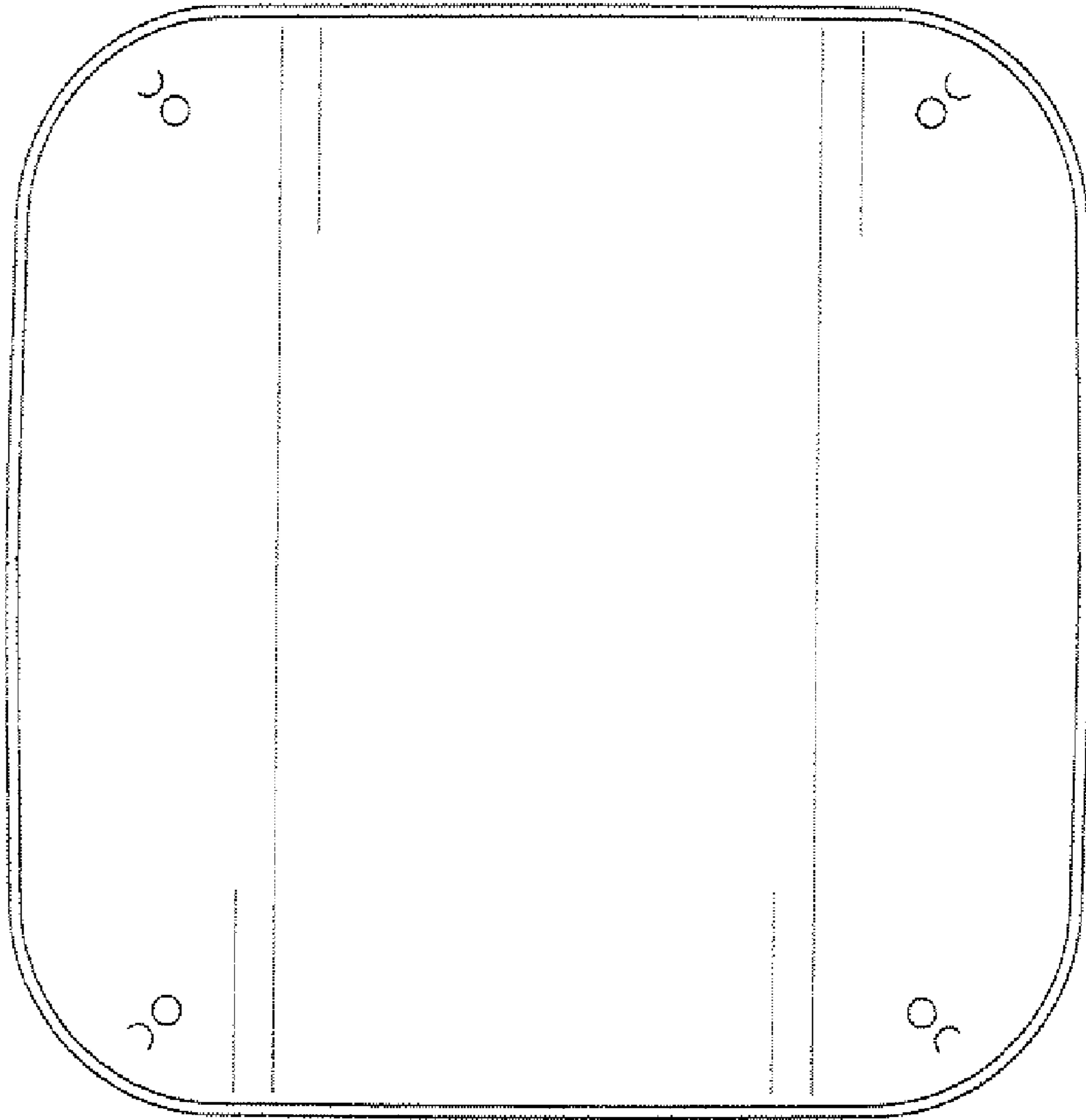


FIG. 2

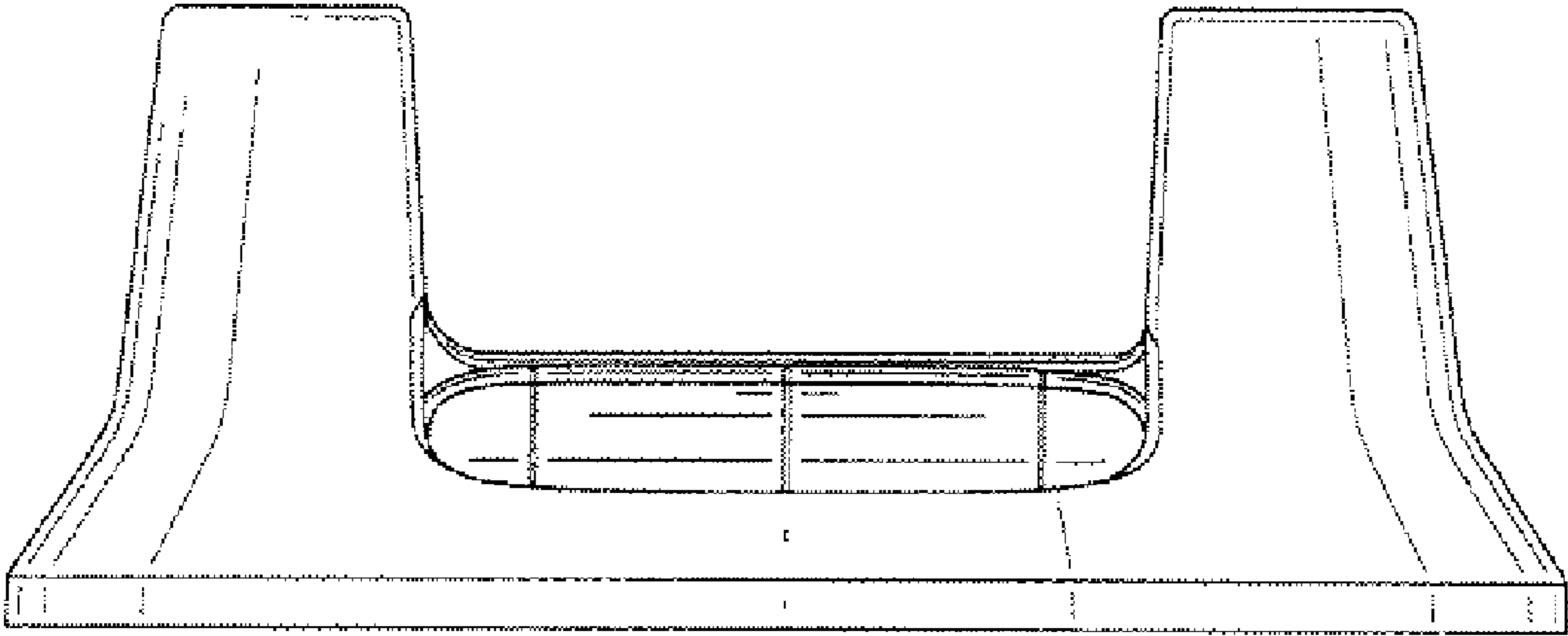


FIG. 3

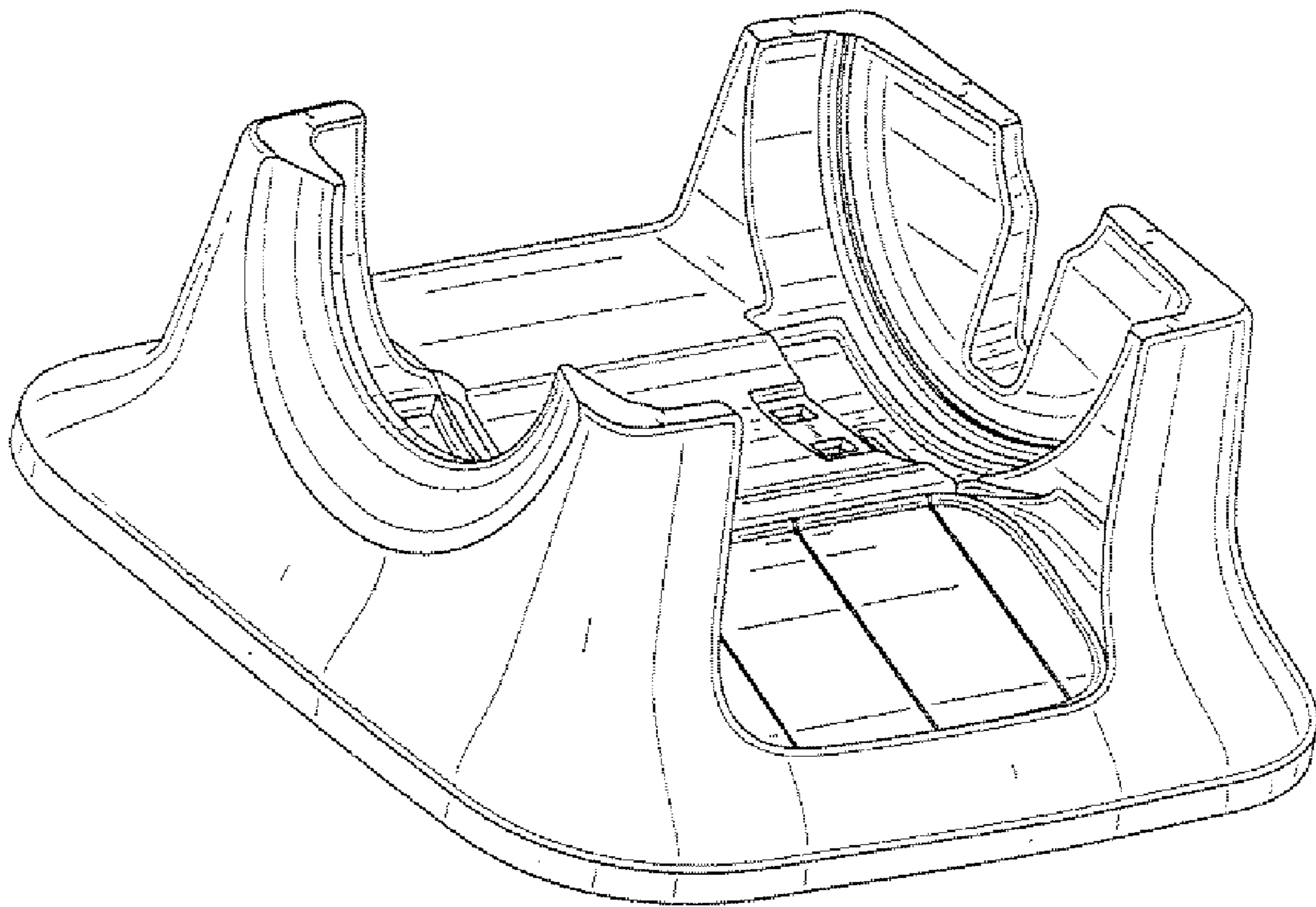


FIG. 4

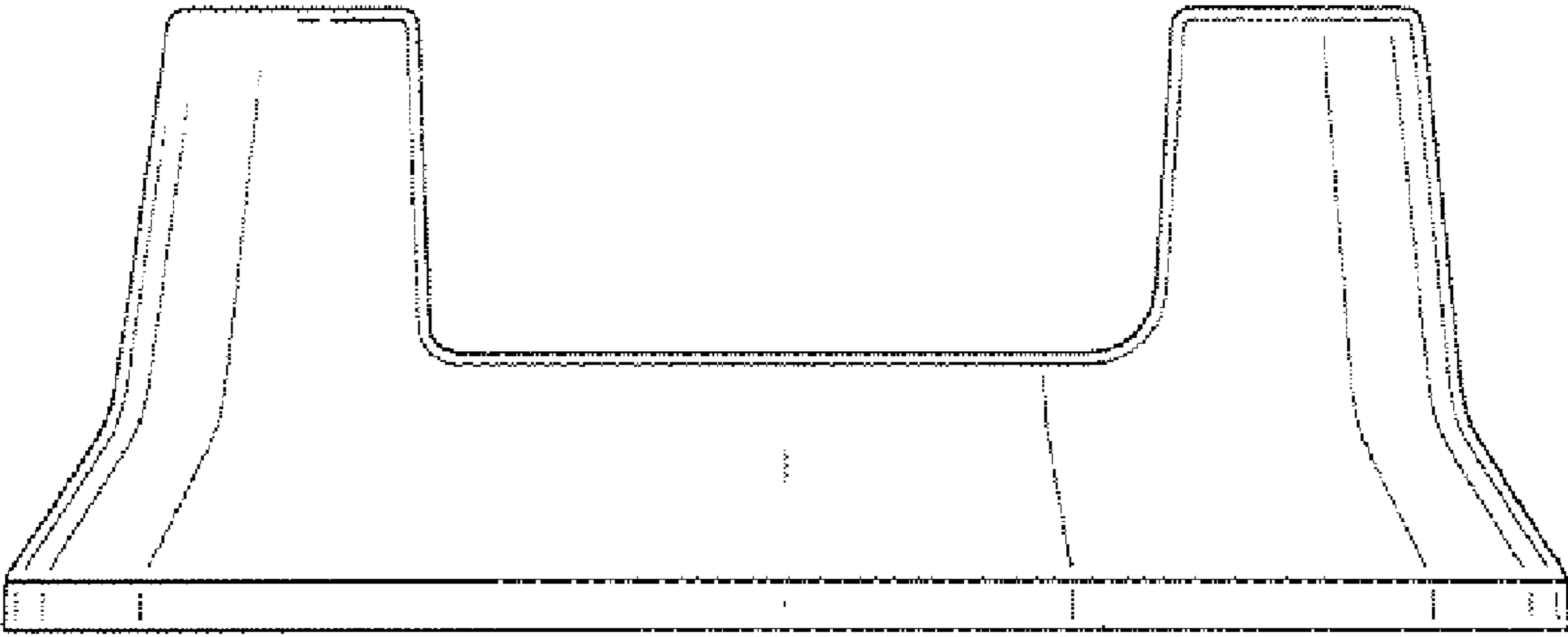


FIG. 5

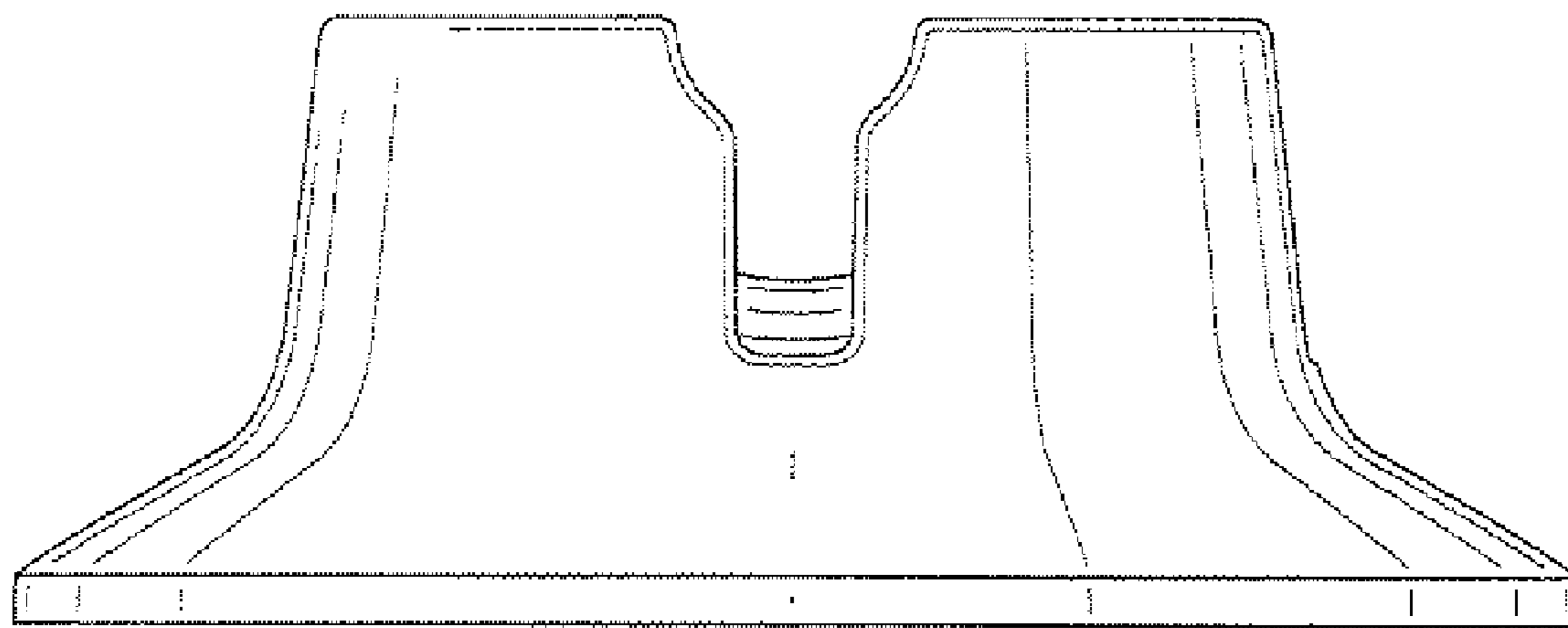


FIG. 6

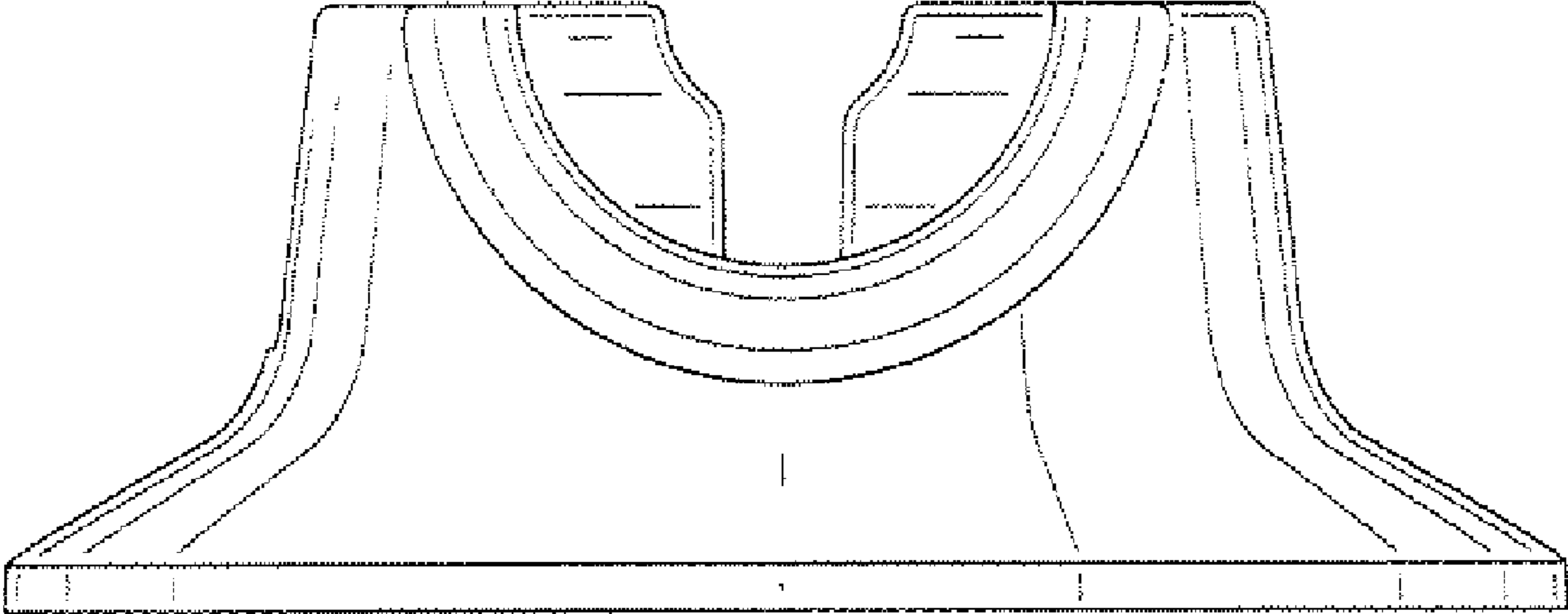


FIG. 7