



US00D589441S

(12) **United States Design Patent**
Van Wambeke

(10) **Patent No.:** **US D589,441 S**
(45) **Date of Patent:** **** Mar. 31, 2009**

(54) **BATTERY PACK**
(75) Inventor: **Weston J. Van Wambeke**, Towson, MD (US)
(73) Assignee: **Black & Decker Inc.**, Newark, DE (US)
(**) Term: **14 Years**
(21) Appl. No.: **29/321,778**
(22) Filed: **Jul. 23, 2008**
(51) **LOC (9) Cl.** **13-02**
(52) **U.S. Cl.** **D13/103**
(58) **Field of Classification Search** D13/102-106,
D13/110, 118-119, 184; 320/96-100, 163,
320/176

DE 40205690 10/2002
DE 40301341 6/2003
DE 40303033 10/2003
DE 000120969-0001 4/2004
DE 000120969-0002 4/2004
DE 000255211-0001 3/2005
DE 000255211-0002 3/2005
DE 000335021-0001 6/2005
DE 000330097-0001 7/2005
DE 000330097-0002 7/2005
DE 000330097-0003 7/2005
DE 000330097-0004 7/2005
DE 000330097-0005 7/2005
DE 000330097-0006 7/2005
DE 000330097-0007 7/2005
DE 000356407-0001 8/2005

See application file for complete search history.

(Continued)

(56) **References Cited**

U.S. PATENT DOCUMENTS

D435,013 S 12/2000 Clowers et al.
D436,917 S 1/2001 Hayakawa et al.
D477,811 S 7/2003 Niwa et al.
D481,672 S 11/2003 Niwa et al.
6,783,886 B1 * 8/2004 Sakakibara et al. 429/99
D512,373 S * 12/2005 Tsai et al. D13/108
D512,961 S 12/2005 Okuda et al.
D516,504 S 3/2006 Okuda et al.
D523,807 S 6/2006 Murayama et al.
D545,759 S * 7/2007 Ino et al. D13/103
D550,152 S 9/2007 Okuda et al.
D555,086 S * 11/2007 Zhang D13/103
D562,227 S * 2/2008 Yamada et al. D13/103
D562,228 S * 2/2008 Okada et al. D13/103
D568,239 S 5/2008 Okada et al.
2003/0039880 A1 * 2/2003 Turner et al. 429/97

FOREIGN PATENT DOCUMENTS

DE M9004198 6/1991
DE M9404767 12/1994
DE M9510020 7/1996
DE M9708139 3/1998
DE 40004752 8/2000

OTHER PUBLICATIONS

UKIPO—Design Search Report, Ref. No. 053/2008.

Primary Examiner—Jennifer Rivard

Assistant Examiner—Rosemary K Tarcza

(74) *Attorney, Agent, or Firm*—Bruce S. Shapiro; John Yun; Wesley W. Muller

(57) **CLAIM**

The ornamental design for a battery pack, as shown and described.

DESCRIPTION

FIG. 1 is a left/front perspective view of a battery pack.

FIG. 2 is a front view thereof.

FIG. 3 is a rear view thereof.

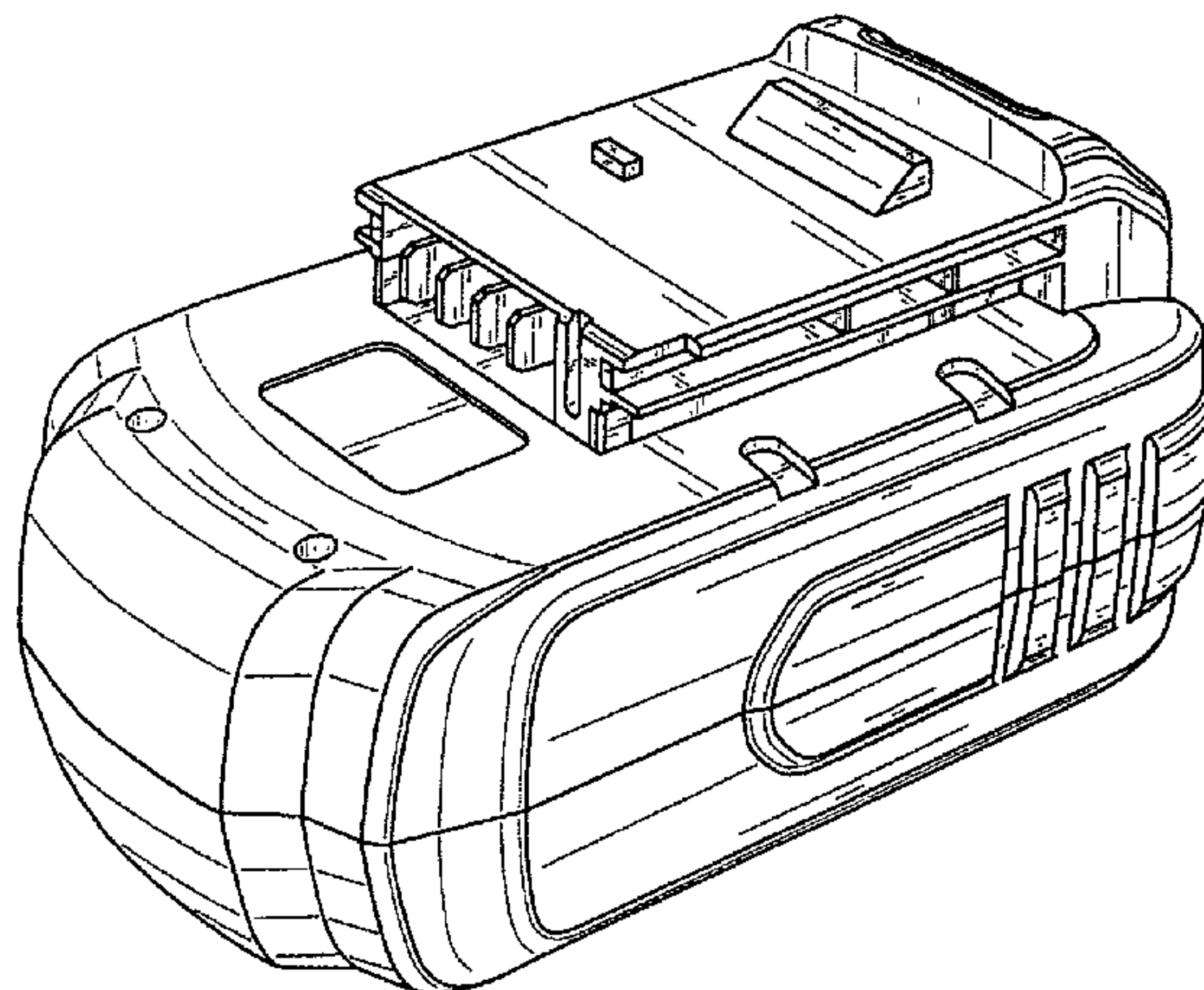
FIG. 4 is a right side view thereof.

FIG. 5 is a left side view thereof.

FIG. 6 is a top view thereof; and,

FIG. 7 is a bottom view thereof.

1 Claim, 6 Drawing Sheets



US D589,441 S

Page 2

FOREIGN PATENT DOCUMENTS					
DE	000356407-0002	8/2005	DE	000817259-0007	1/2008
DE	000356407-0003	8/2005	DE	000817259-0008	1/2008
DE	40505820	3/2006	DE	000817259-0001	2/2008
DE	000562442-0001	8/2006	DE	000817259-0002	2/2008
DE	000683503-0001	6/2007	DE	000817259-0003	2/2008
DE	000683503-0002	6/2007	DE	000817259-0004	2/2008
DE	000683503-0003	6/2007	DE	000840749-0001	6/2008
DE	000808092-0001	11/2007	DE	000840749-0002	6/2008
DE	000808092-0002	11/2007	WO	DM021202	11/1991
DE	000808092-0003	11/2007	WO	DM042743	1/1998
DE	000808092-0004	11/2007	WO	DM044514	7/1998

* cited by examiner

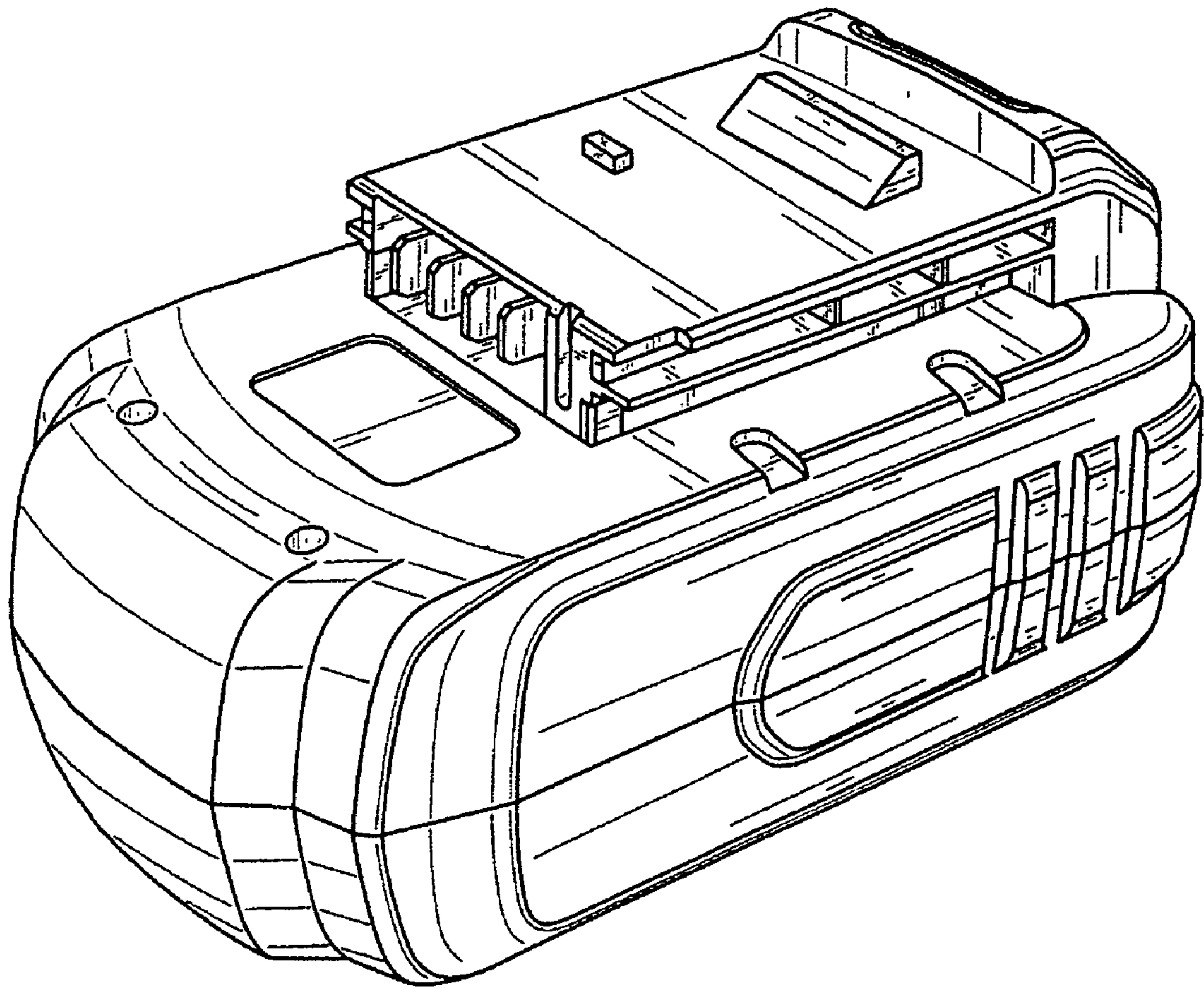


FIG. 1

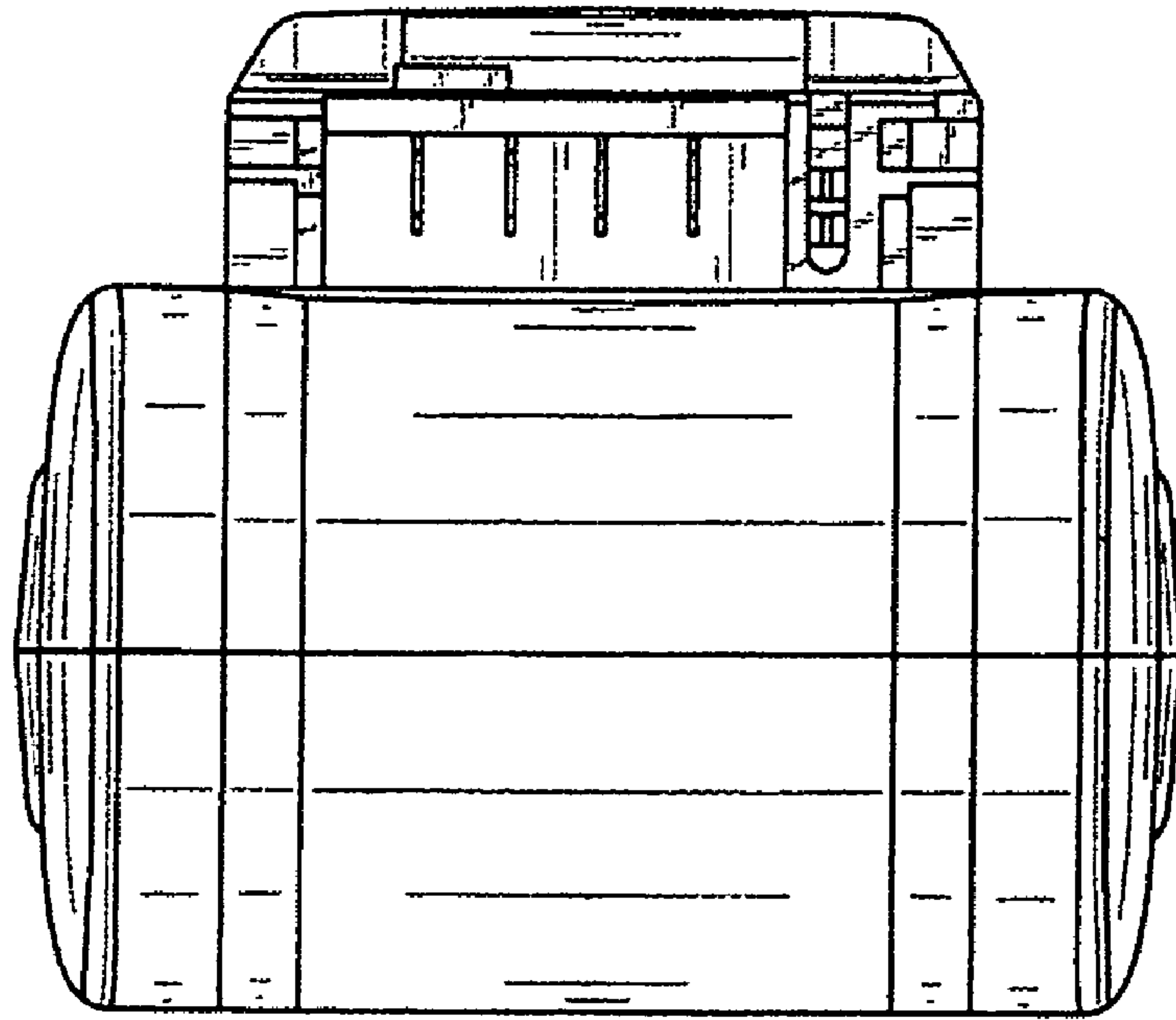


FIG. 2

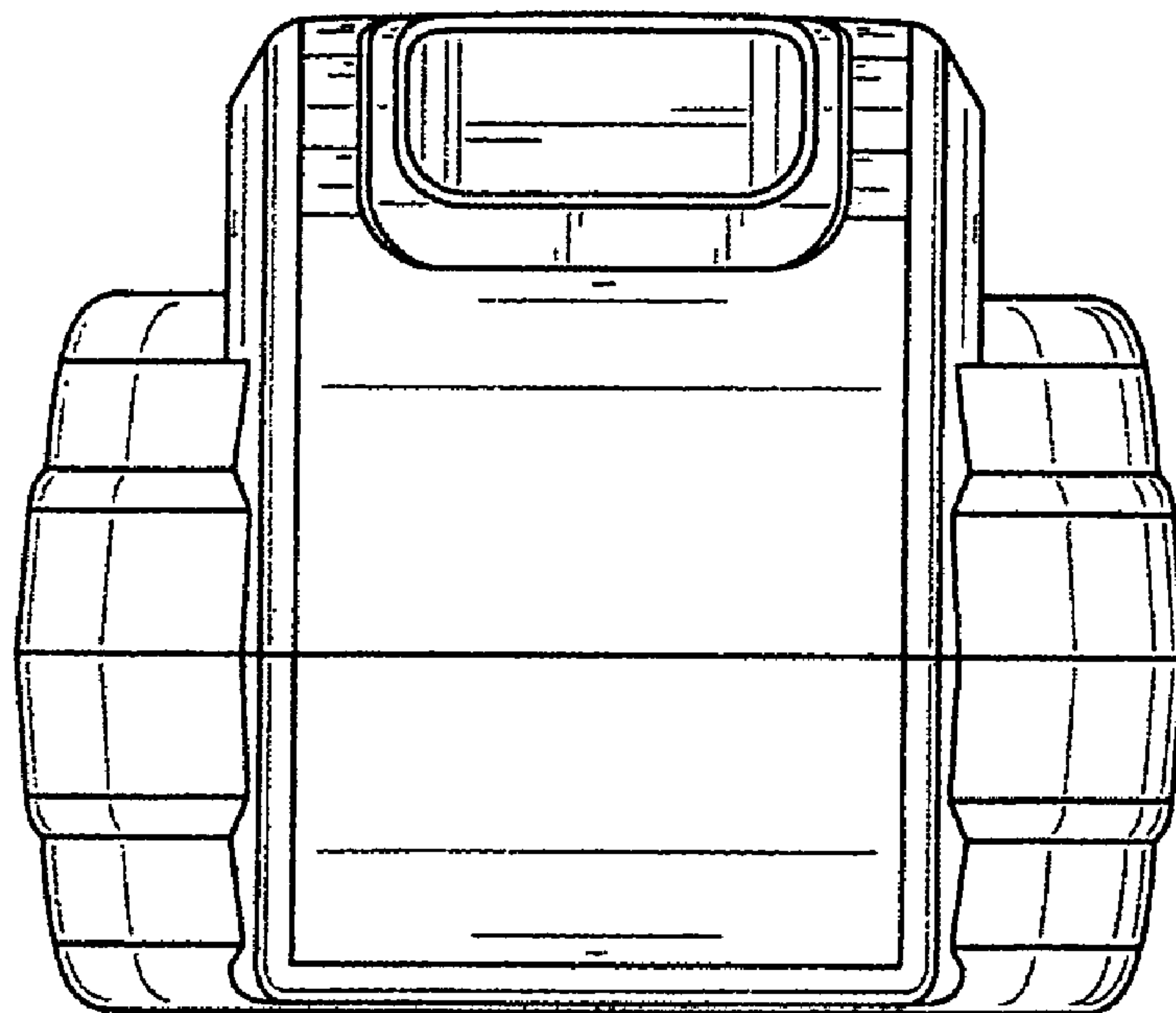


FIG. 3

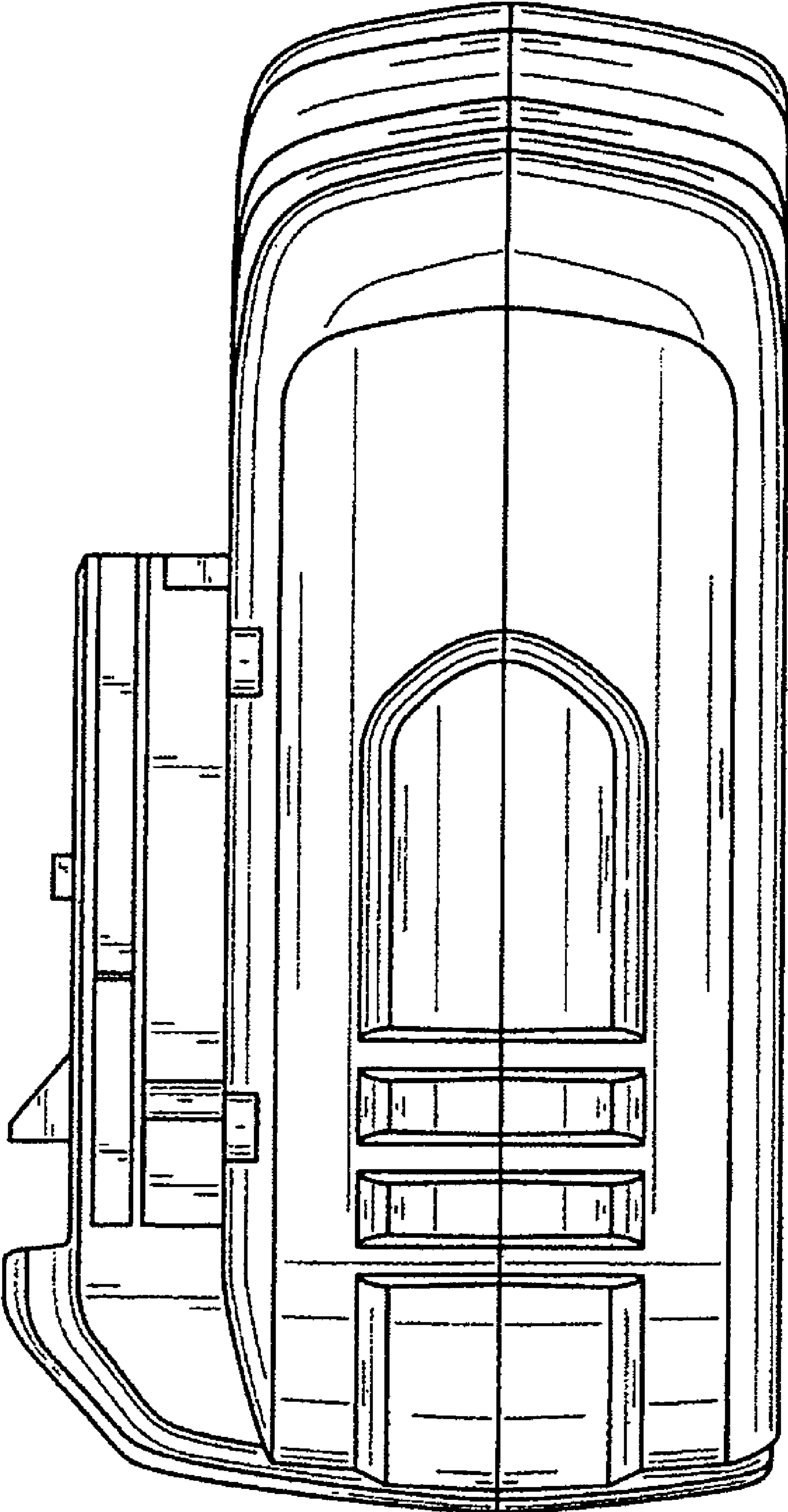


FIG. 4

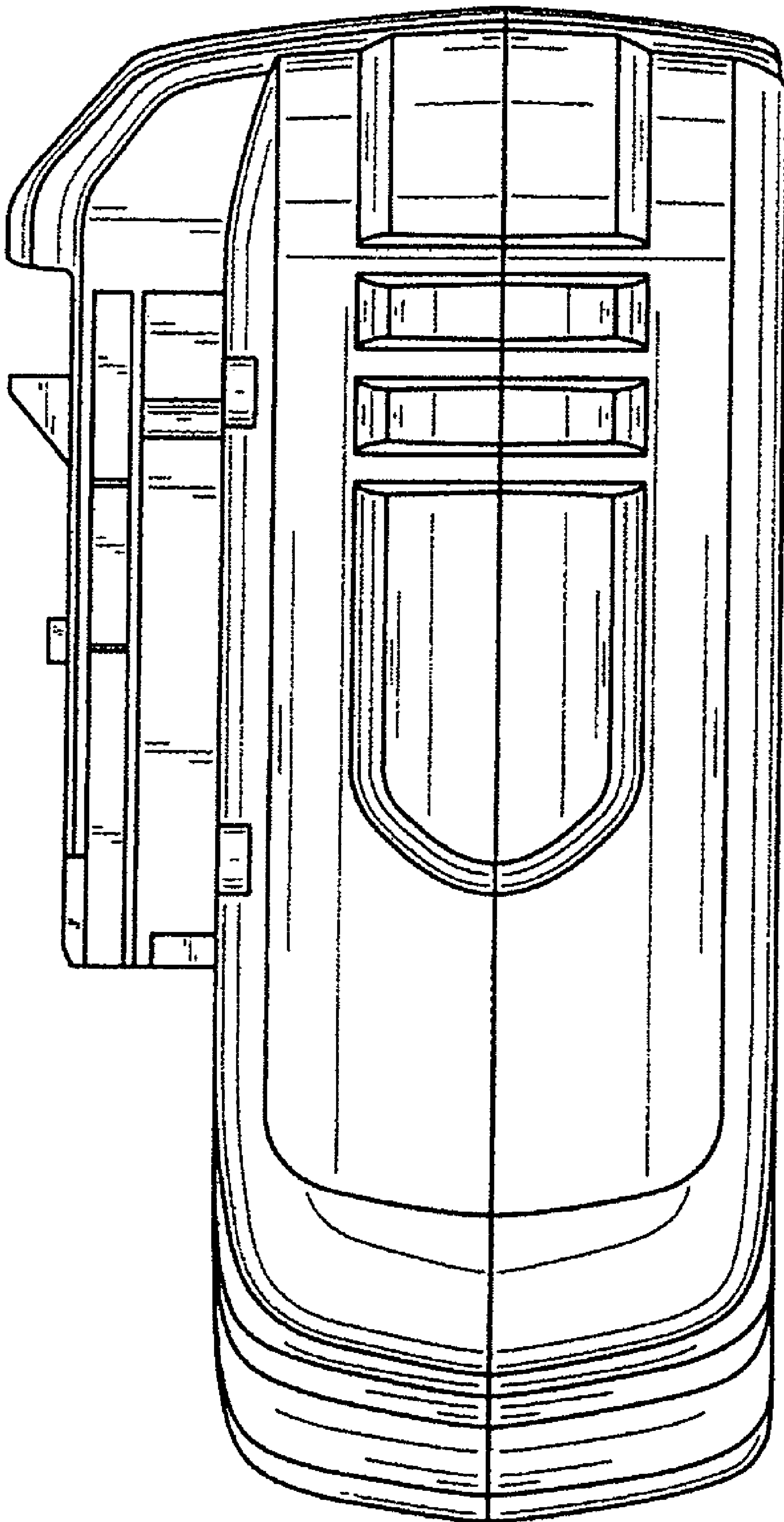


FIG. 5

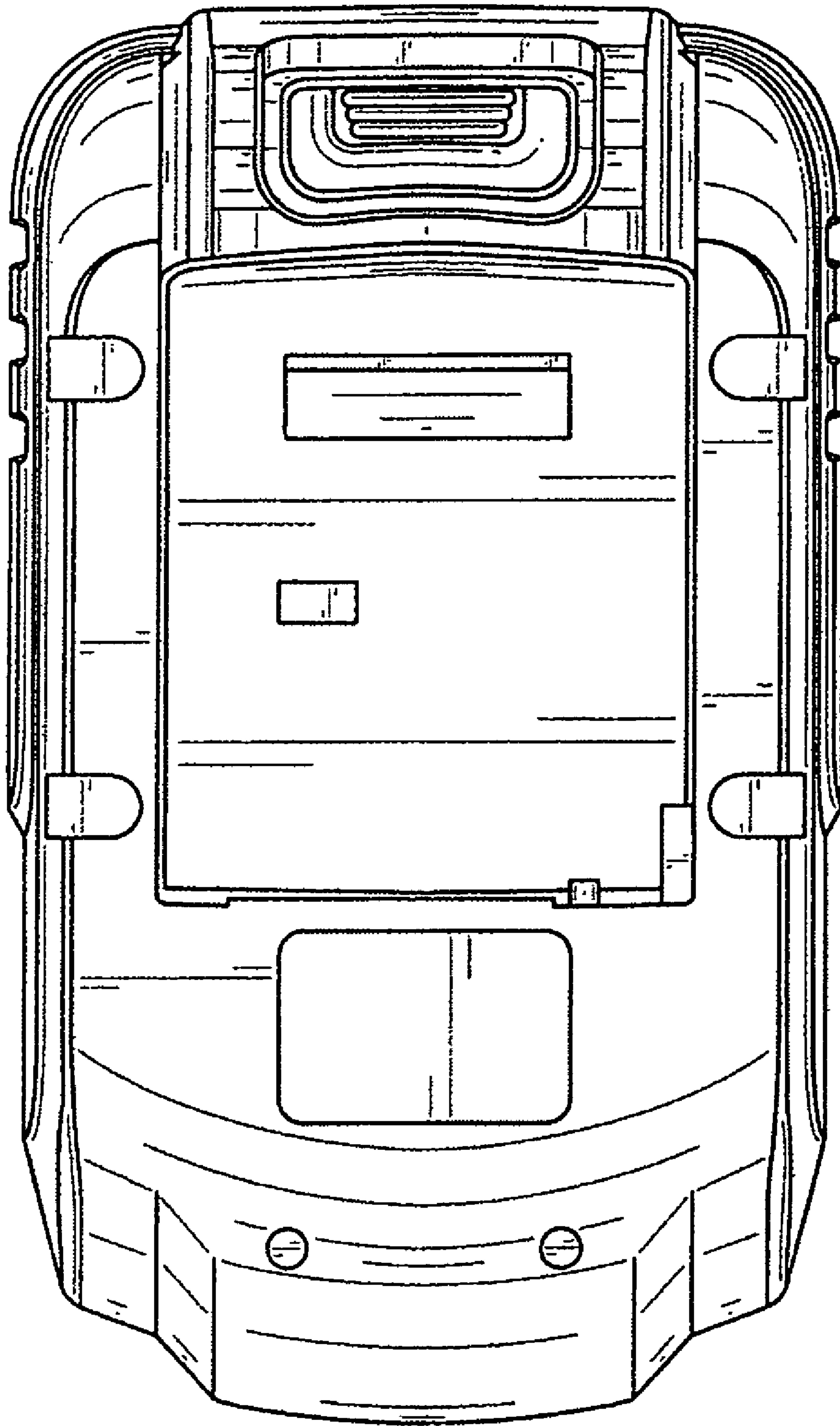


FIG. 6

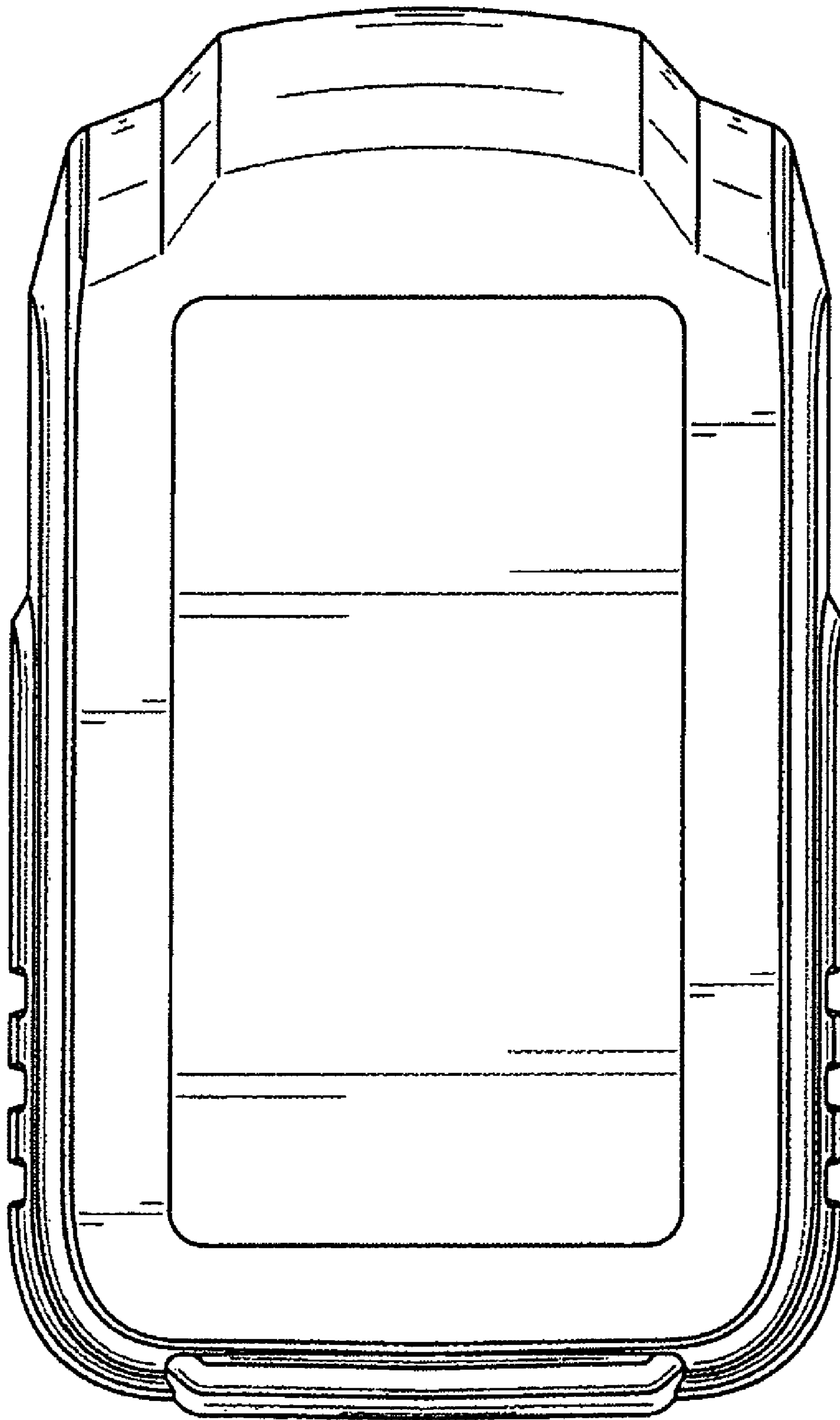


FIG. 7