



US00D589439S

(12) **United States Design Patent**
Van Wambeke

(10) **Patent No.:** **US D589,439 S**
(45) **Date of Patent:** **** Mar. 31, 2009**

- (54) **BATTERY PACK**
- (75) Inventor: **Weston J. Van Wambeke**, Towson, MD (US)
- (73) Assignee: **Black & Decker Inc.**, Newark, DE (US)
- (**) Term: **14 Years**
- (21) Appl. No.: **29/321,775**
- (22) Filed: **Jul. 23, 2008**
- (51) **LOC (9) Cl.** **13-02**
- (52) **U.S. Cl.** **D13/103**
- (58) **Field of Classification Search** D13/102-106,
D13/110, 118-119, 184; 320/96-100, 163,
320/176

DE	40004752	8/2000
DE	40205690	10/2002
DE	40301341	6/2003
DE	40303033	10/2003
DE	000120969-0001	4/2004
DE	000120969-0002	4/2004
DE	000255211-0001	3/2005
DE	000255211-0002	3/2005
DE	000335021-0001	6/2005
DE	000330097-0001	7/2005
DE	000330097-0002	7/2005
DE	000330097-0003	7/2005
DE	000330097-0004	7/2005
DE	000330097-0005	7/2005
DE	000330097-0006	7/2005
DE	000330097-0007	7/2005
DE	000356407-0001	8/2005
DE	000356407-0002	8/2005

See application file for complete search history.

(Continued)

(56) **References Cited**

U.S. PATENT DOCUMENTS

D435,013	S	12/2000	Clowers et al.	
D436,917	S	1/2001	Hayakawa et al.	
D477,811	S	7/2003	Niwa et al.	
D481,672	S	11/2003	Niwa et al.	
6,783,886	B1 *	8/2004	Sakakibara et al.	429/99
D512,373	S *	12/2005	Tsai et al.	D13/108
D512,961	S	12/2005	Okuda et al.	
D516,504	S	3/2006	Okuda et al.	
D523,807	S	6/2006	Murayama et al.	
D545,759	S *	7/2007	Ino et al.	D13/103
D550,152	S	9/2007	Okuda et al.	
D555,086	S *	11/2007	Zhang	D13/103
D562,227	S *	2/2008	Yamada et al.	D13/103
D562,228	S *	2/2008	Okada et al.	D13/103
D568,239	S	5/2008	Okada et al.	
2003/0039880	A1 *	2/2003	Turner et al.	429/97

FOREIGN PATENT DOCUMENTS

DE	M9004198	6/1991
DE	M9404767	12/1994
DE	M9510020	7/1996
DE	M9708139	3/1998

OTHER PUBLICATIONS

UKIPO—Design Search Report, Ref. No. 055/2005.

Primary Examiner—Jennifer Rivard

Assistant Examiner—Rosemary K Tarcza

(74) *Attorney, Agent, or Firm*—Bruce S. Shapiro; John Yun; Wesley W. Muller

(57) **CLAIM**

The ornamental design for a battery pack, as shown and described.

DESCRIPTION

FIG. 1 is a left/side perspective view of a battery pack.

FIG. 2 is a rear view thereof.

FIG. 3 is a front view thereof.

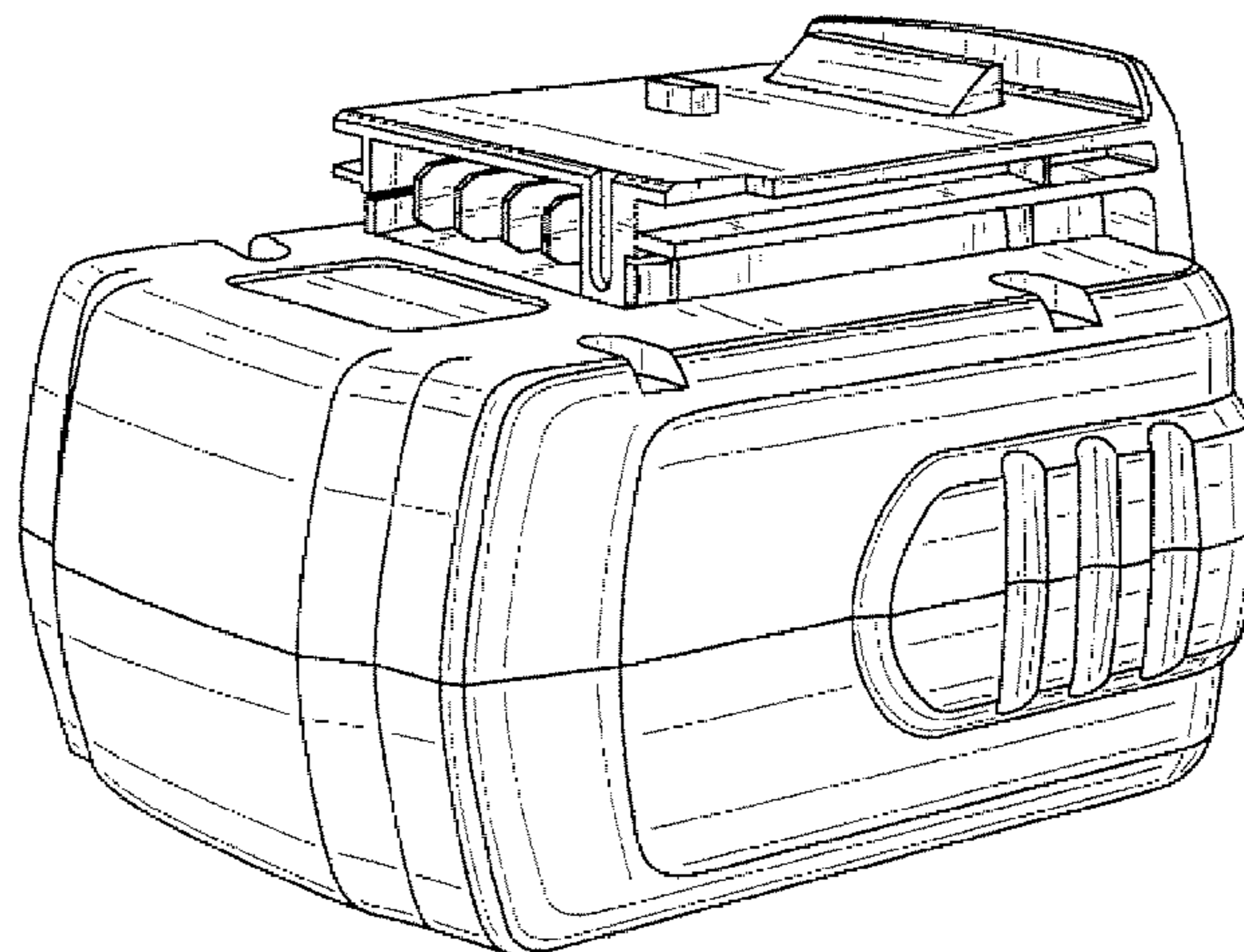
FIG. 4 is a right side view thereof.

FIG. 5 is a left side view thereof.

FIG. 6 is a top view thereof; and,

FIG. 7 is a bottom view thereof.

1 Claim, 7 Drawing Sheets



US D589,439 S

Page 2

FOREIGN PATENT DOCUMENTS					
DE	000356407-0003	8/2005	DE	000817259-0007	1/2008
DE	40505820	3/2006	DE	000817259-0008	1/2008
DE	000562442-0001	8/2006	DE	000817259-0001	2/2008
DE	000683503-0001	6/2007	DE	000817259-0002	2/2008
DE	000683503-0002	6/2007	DE	000817259-0003	2/2008
DE	000683503-0003	6/2007	DE	000817259-0004	2/2008
DE	000808092-0001	11/2007	DE	000840749-0001	6/2008
DE	000808092-0002	11/2007	DE	000840749-0002	6/2008
DE	000808092-0003	11/2007	WO	DM021202	11/1991
DE	000808092-0004	11/2007	WO	DM042743	1/1998
			WO	DM044514	7/1998

* cited by examiner

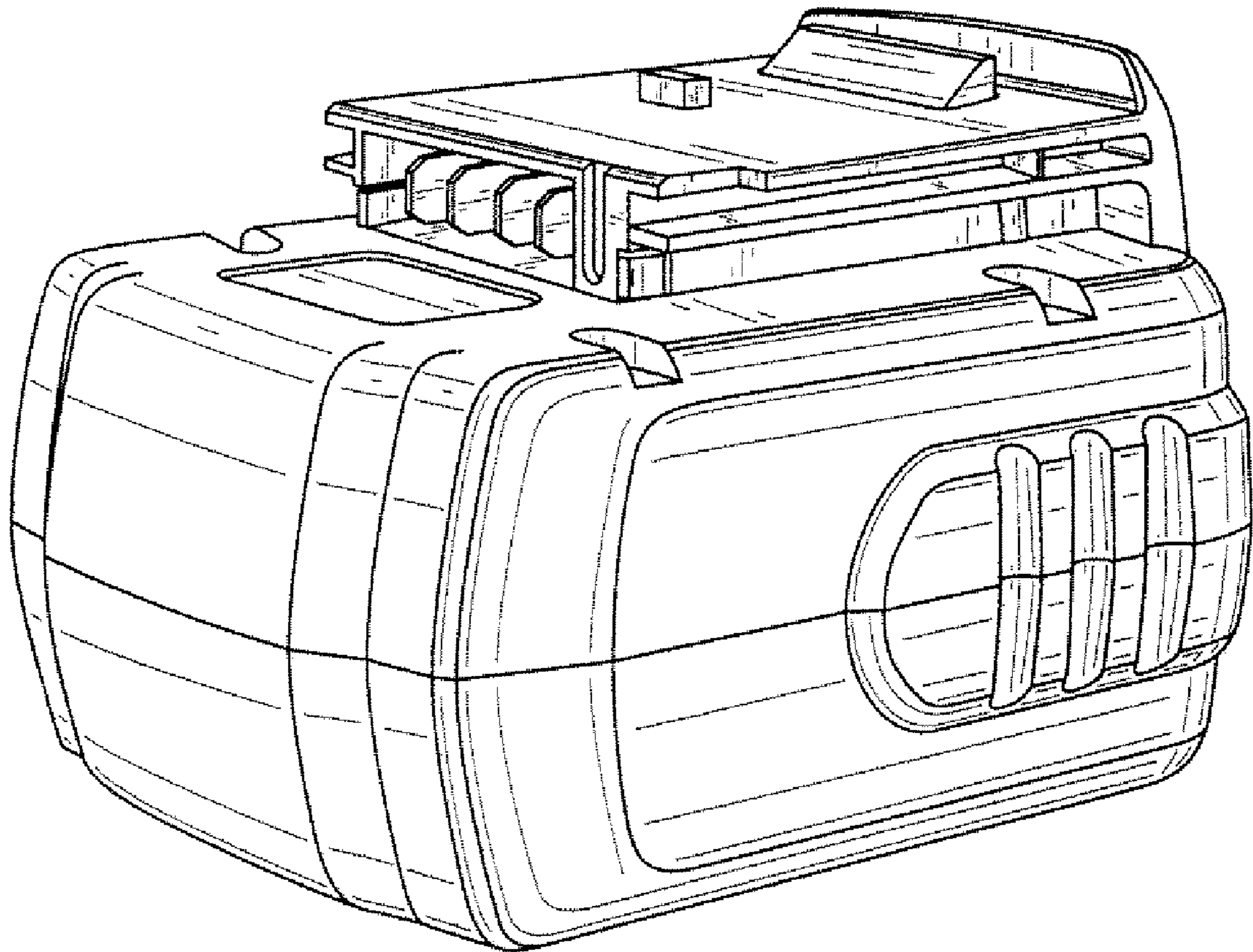


FIG. 1

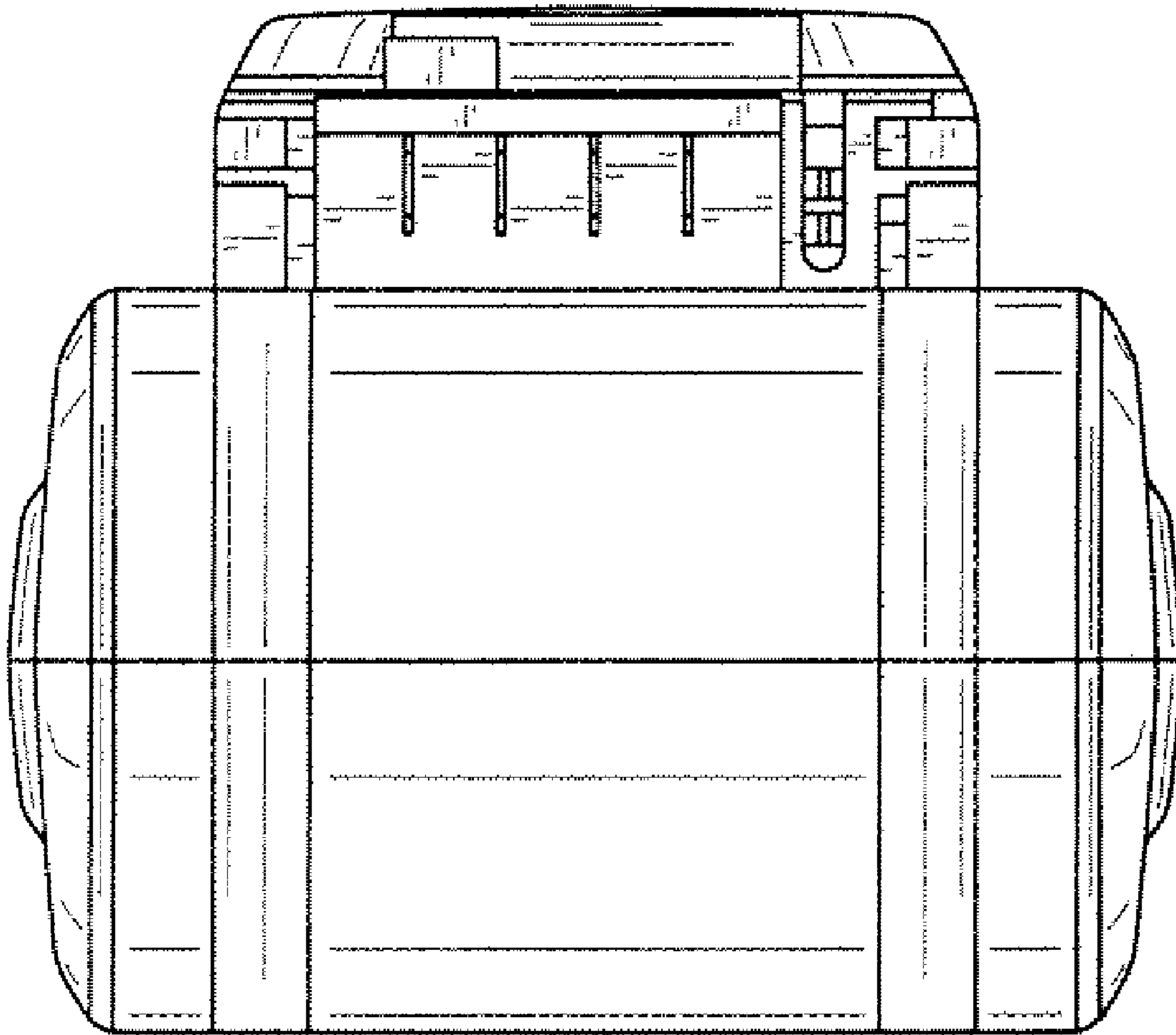


FIG. 2

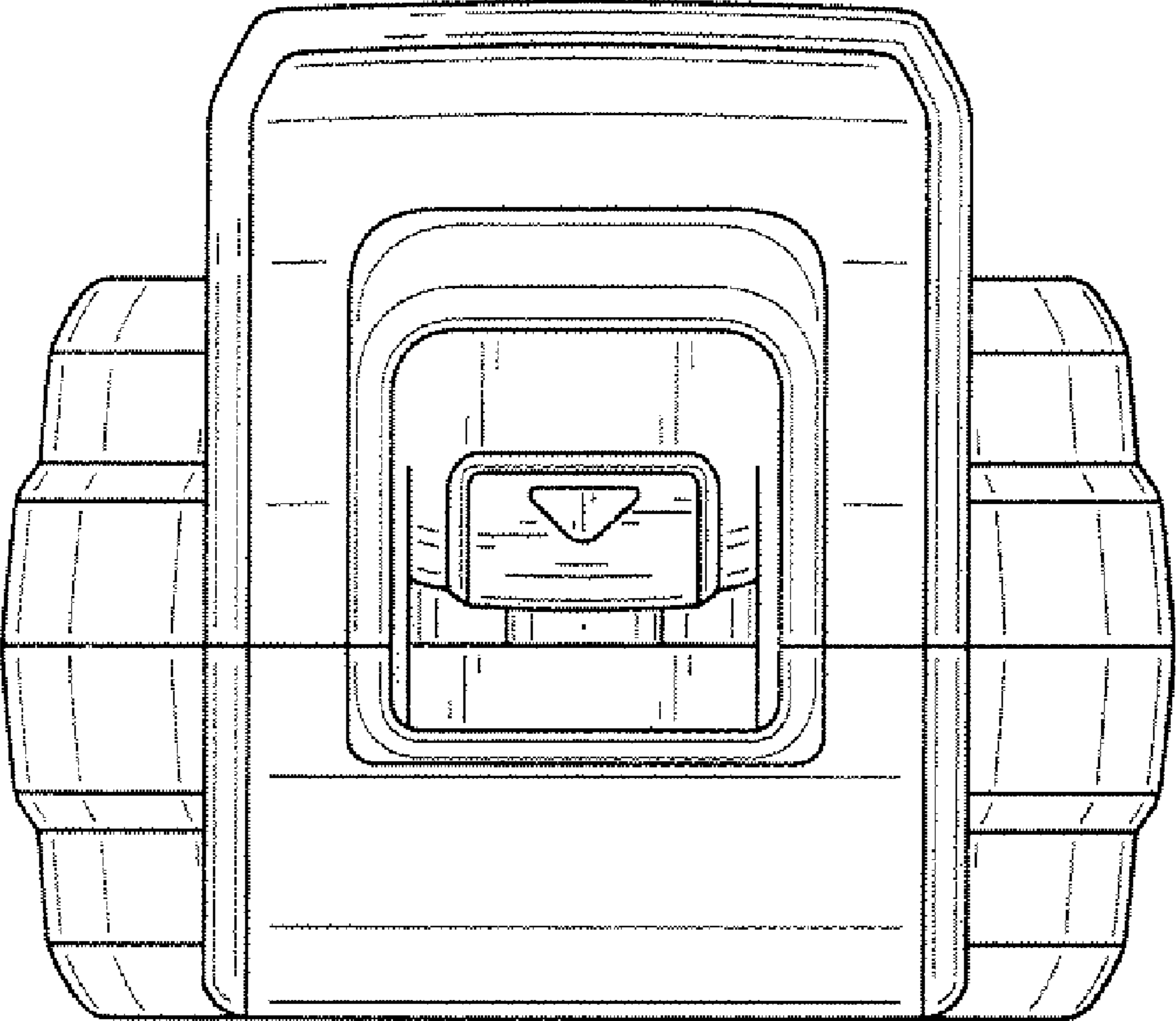


FIG. 3

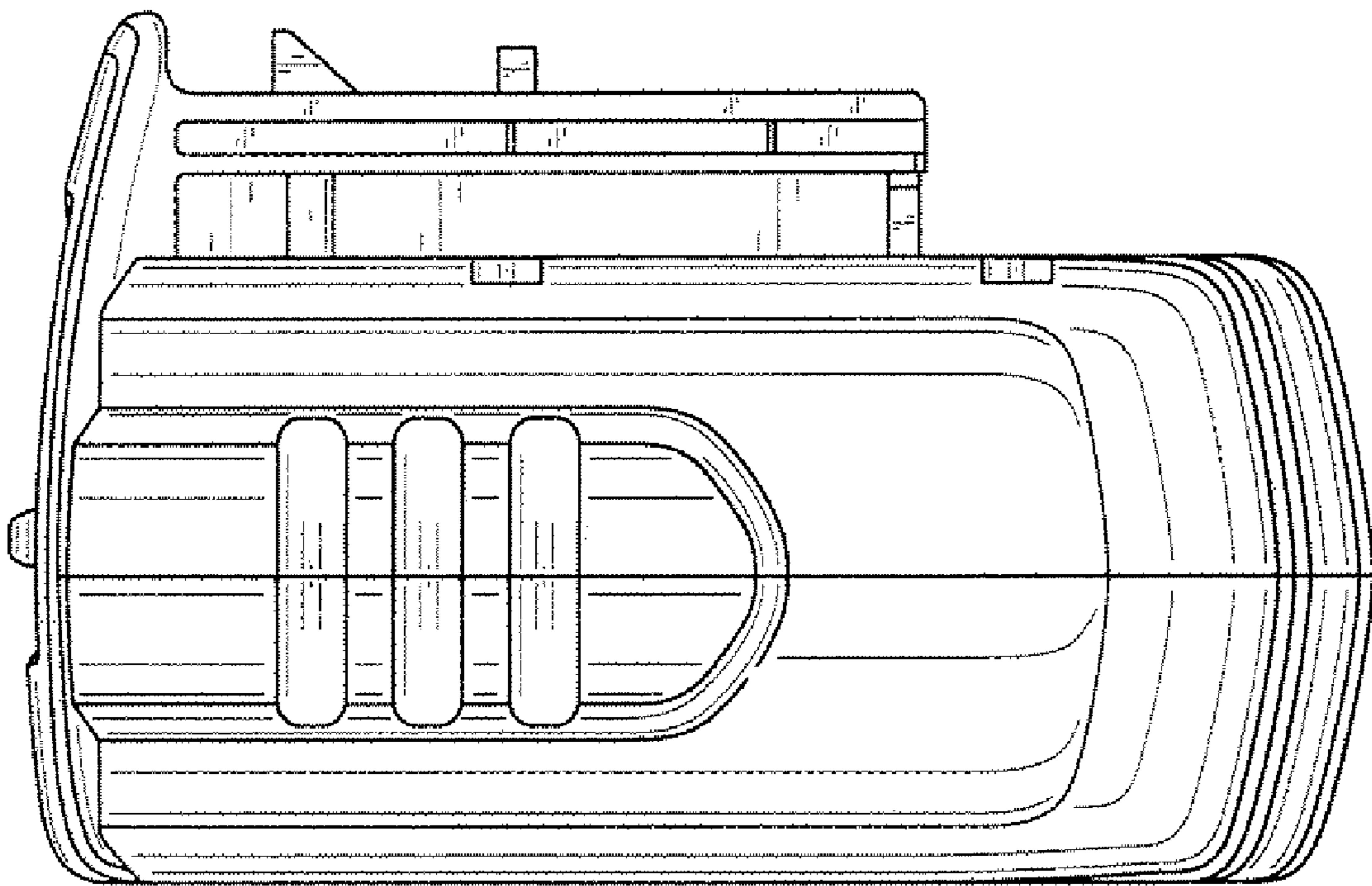


FIG. 4

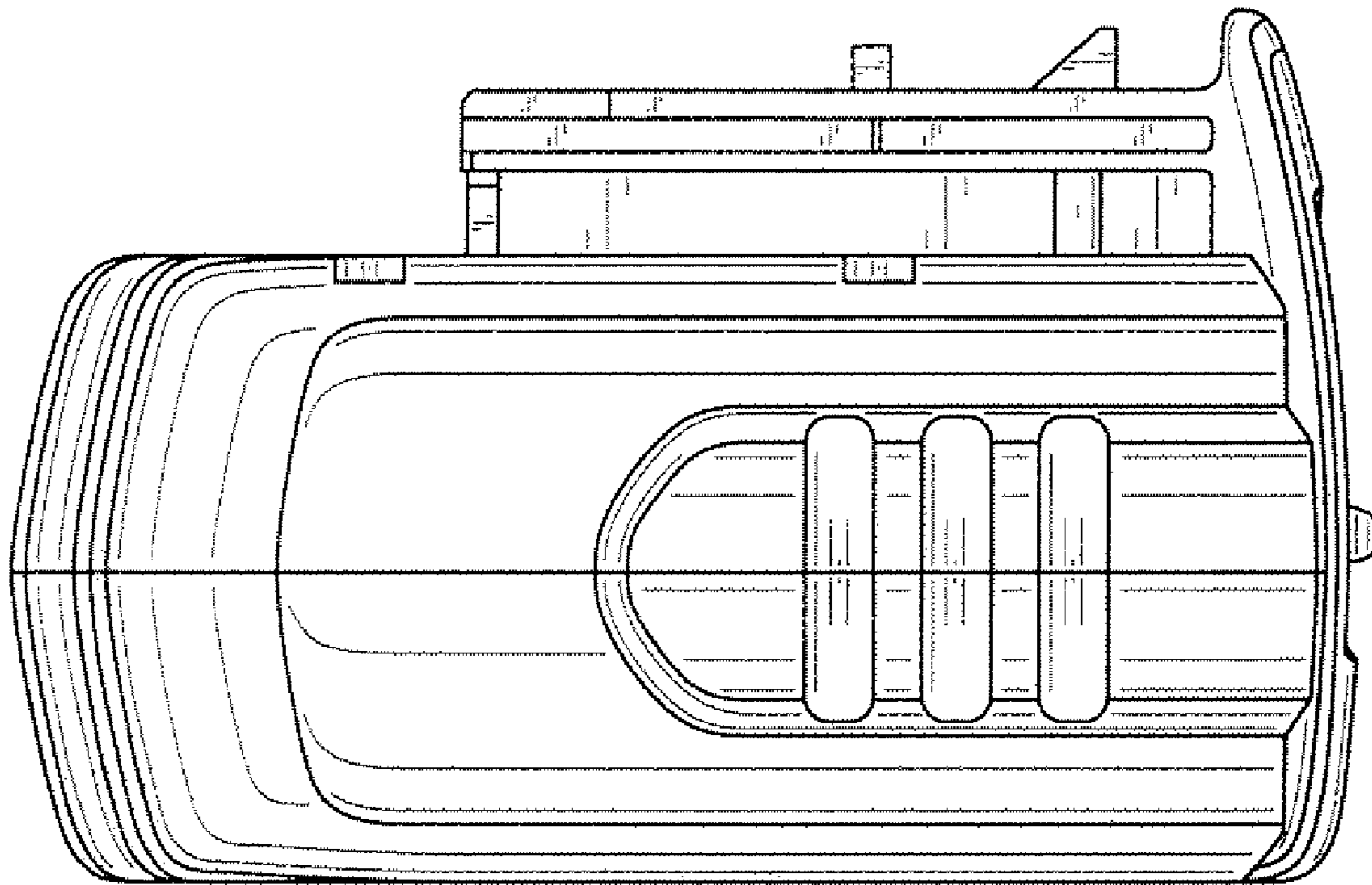


FIG. 5

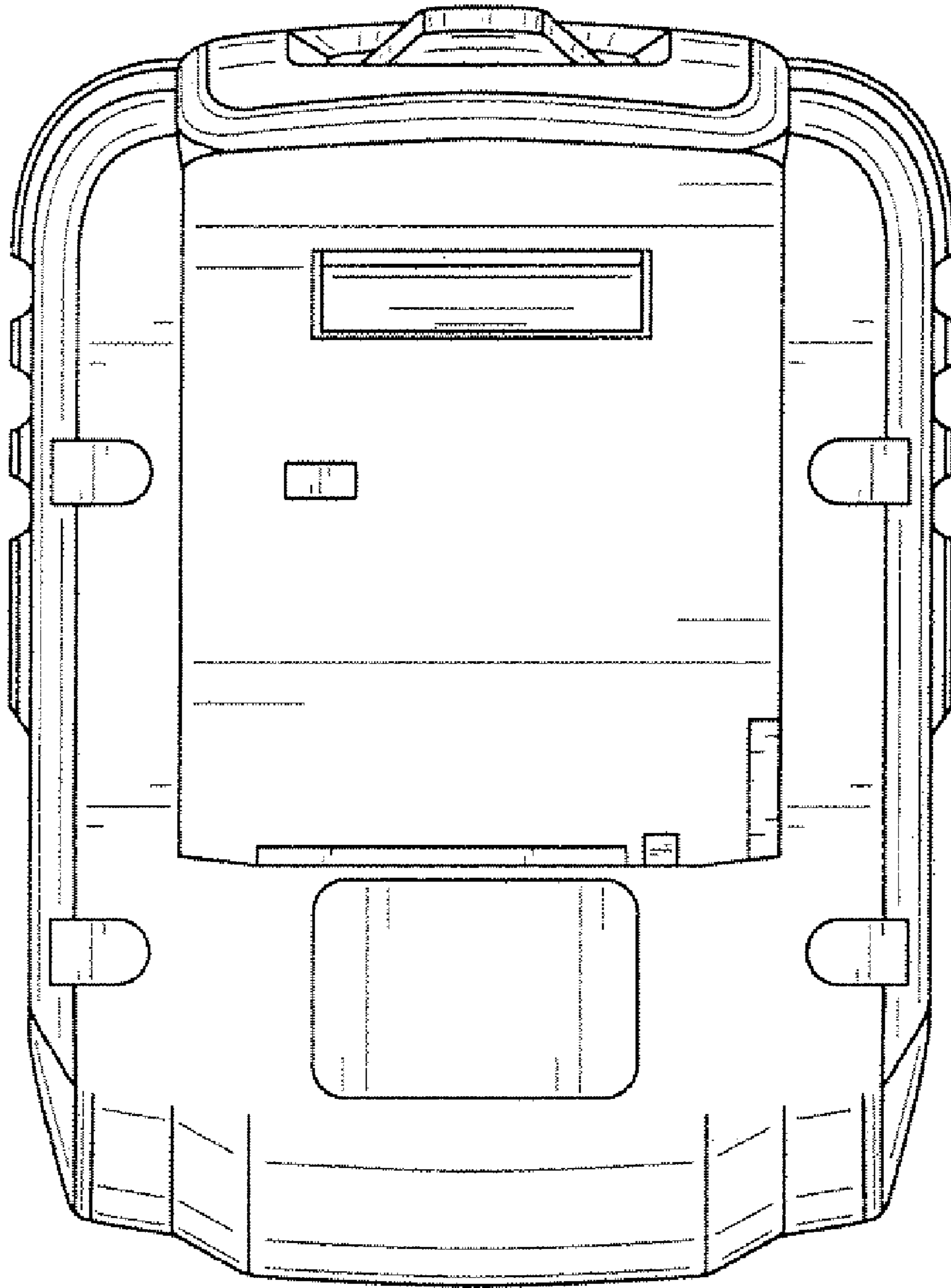


FIG. 6

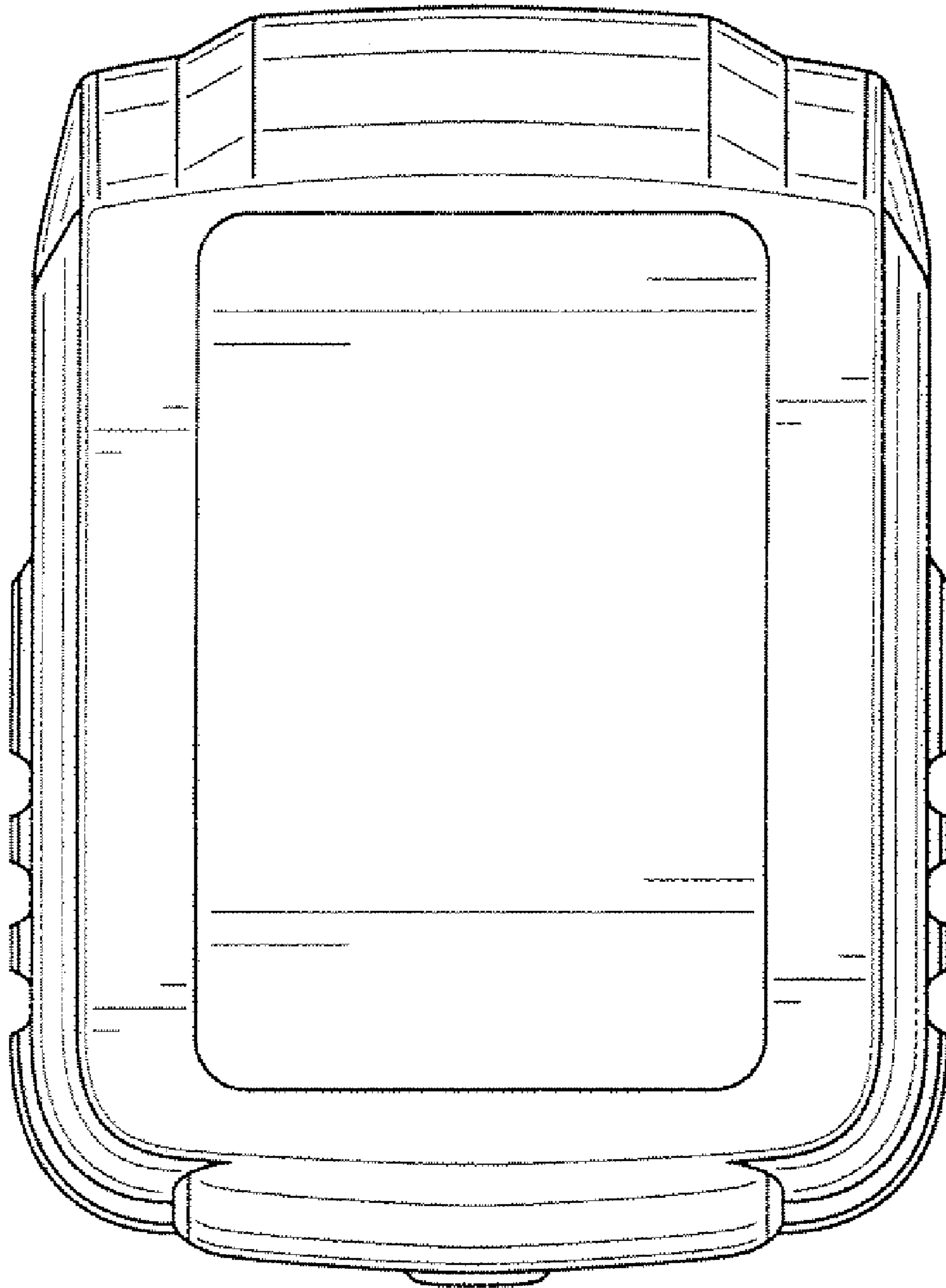


FIG. 7