



US00D589428S

(12) **United States Design Patent**  
**Scheu**

(10) **Patent No.:** **US D589,428 S**  
(45) **Date of Patent:** **\*\* Mar. 31, 2009**

(54) **FRONT FACE OF A VEHICLE WHEEL**

(75) Inventor: **Armin Scheu**, Stuttgart (DE)

(73) Assignee: **Daimler AG**, Stuttgart (DE)

(\*\*) Term: **14 Years**

(21) Appl. No.: **29/290,693**

(22) Filed: **Jan. 3, 2008**

(30) **Foreign Application Priority Data**

Jul. 4, 2007 (EM) ..... 000751722-0003

(51) **LOC (9) Cl.** ..... **12-16**

(52) **U.S. Cl.** ..... **D12/211**

(58) **Field of Classification Search** ..... D12/204-213;  
301/37.101, 64.101, 65, 64.201  
See application file for complete search history.

(56) **References Cited**

**U.S. PATENT DOCUMENTS**

D402,251 S *	12/1998	Timm	.....	D12/211
D478,307 S *	8/2003	Maifrini	.....	D12/211
D504,100 S *	4/2005	Pollmann	.....	D12/211
D521,438 S *	5/2006	Nordmann	.....	D12/211
D526,610 S *	8/2006	Muzzarelli	.....	D12/211
D539,724 S *	4/2007	Muzzarelli	.....	D12/211

D540,238 S *	4/2007	Sycha	.....	D12/209
D542,728 S *	5/2007	Ichinose	.....	D12/211
D552,525 S *	10/2007	Celik	.....	D12/211
D558,118 S *	12/2007	Hueller	.....	D12/211
D570,761 S *	6/2008	Antoniadis et al.	.....	D12/211
D579,397 S *	10/2008	Osborne	.....	D12/211
D580,842 S *	11/2008	Kim	.....	D12/211

\* cited by examiner

*Primary Examiner*—Stacia Cadmus

(74) *Attorney, Agent, or Firm*—Crowell & Moring LLP

(57) **CLAIM**

The ornamental design for a front face of a vehicle wheel, as shown and described.

**DESCRIPTION**

FIG. 1 is a front view of a first embodiment of a front face of a vehicle wheel according to my novel design; and

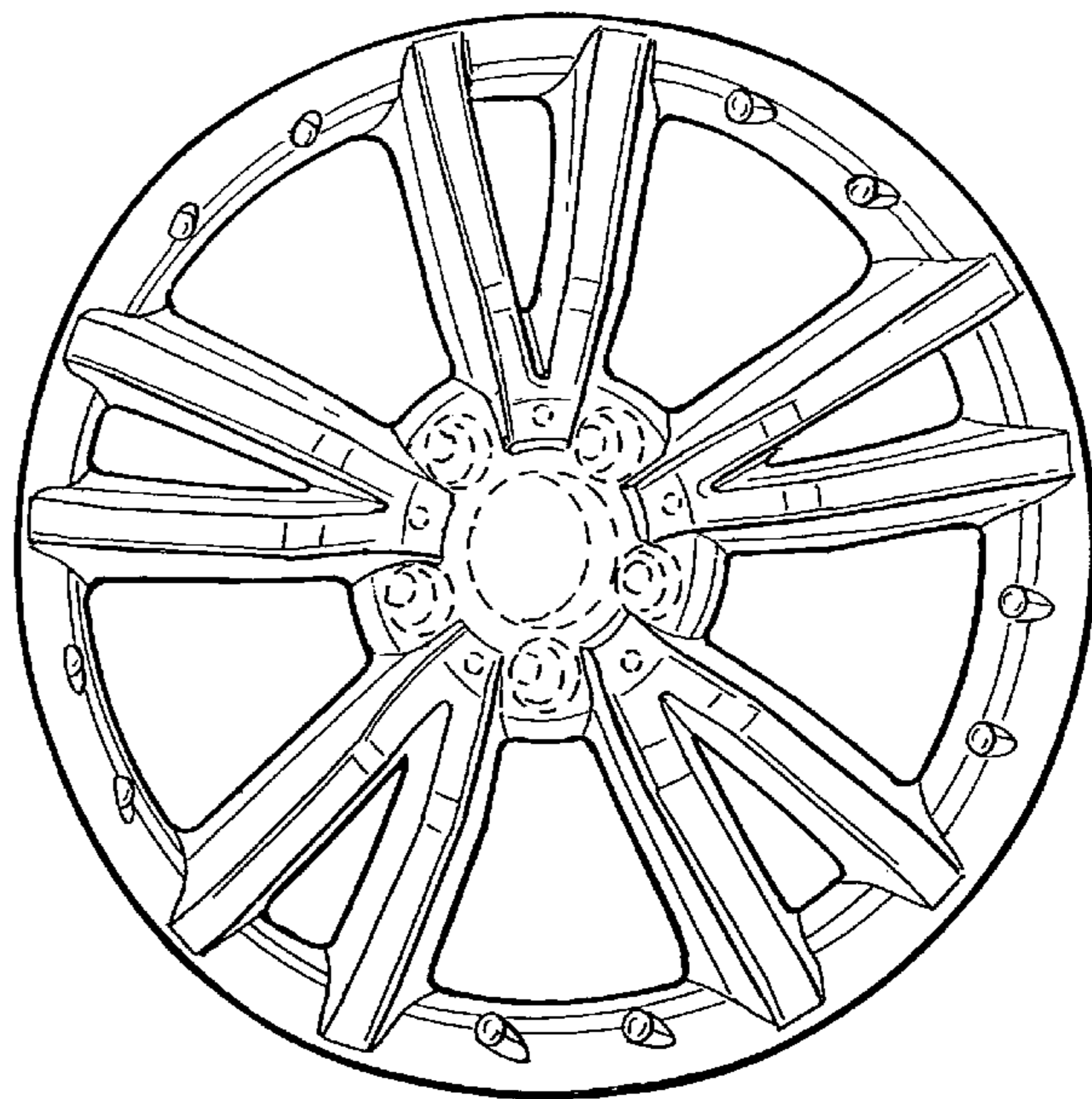
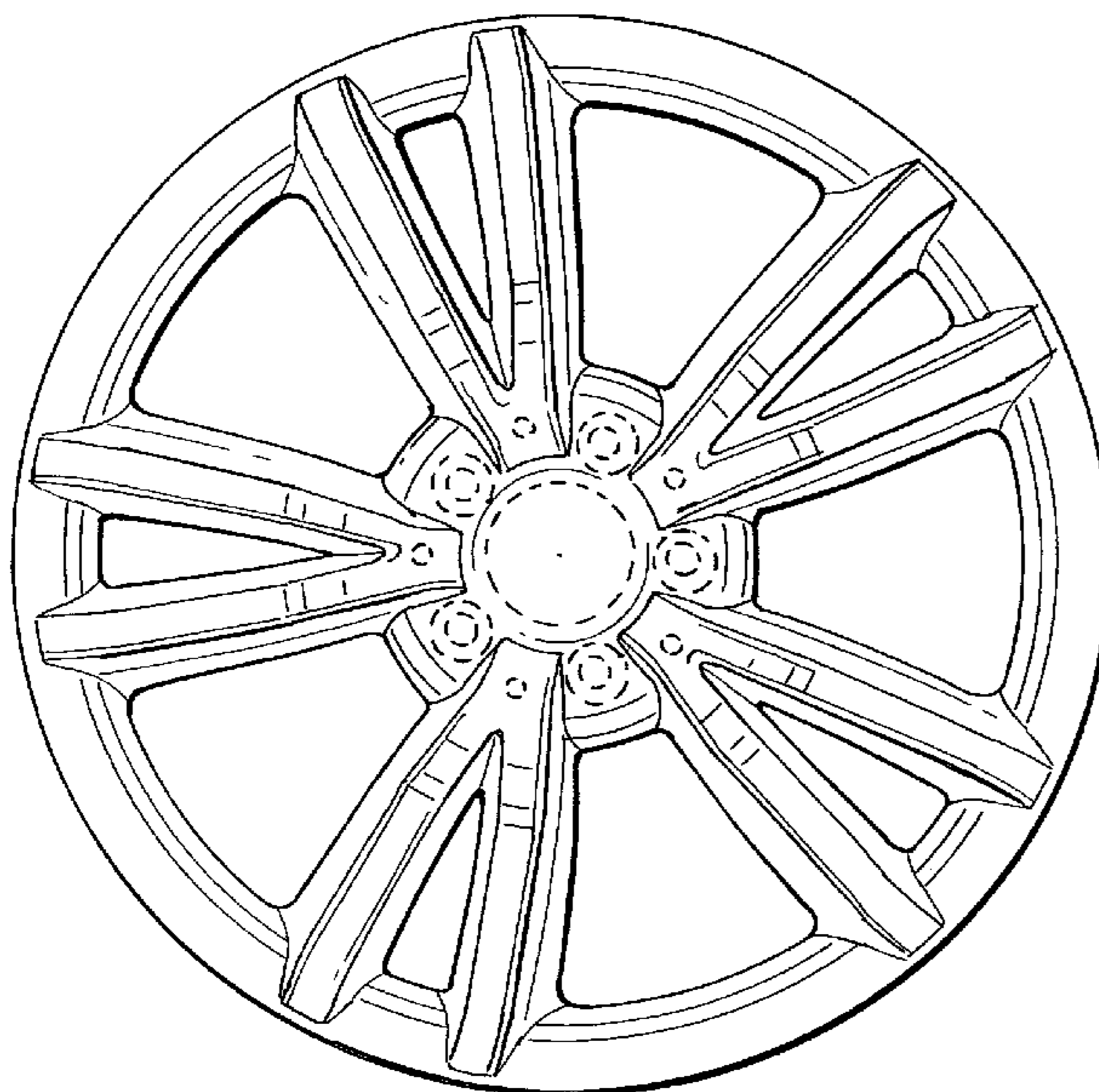
FIG. 2 is a perspective view thereof.

FIG. 3 is a front view of a second embodiment of the front face of a vehicle wheel according to my novel design; and,

FIG. 4 is a perspective view thereof.

The broken line showing of the bolt holes and center cap in the central hub area is included for the purpose of illustrating environment and forms no part of the claimed design.

**1 Claim, 2 Drawing Sheets**



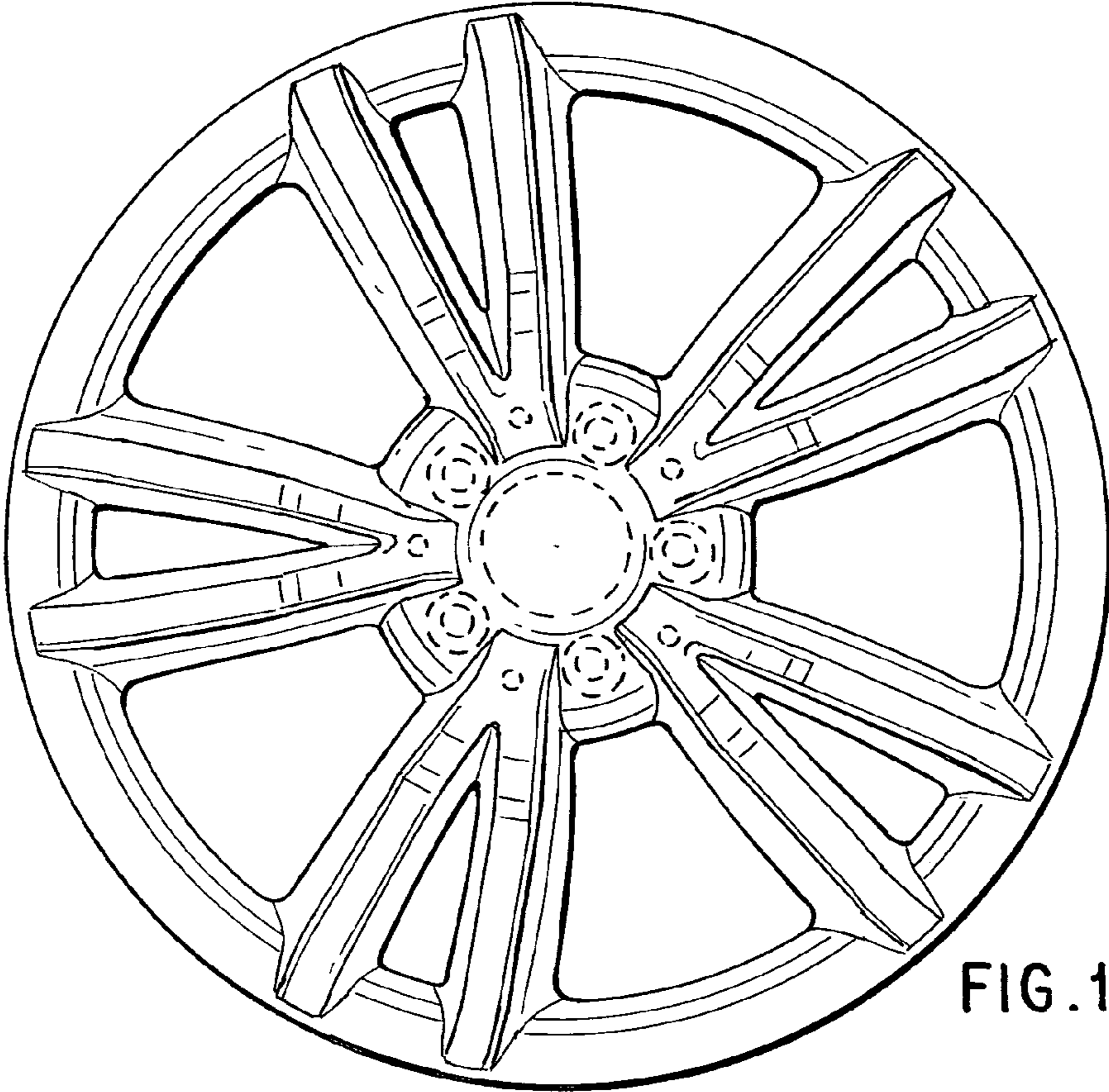


FIG. 1

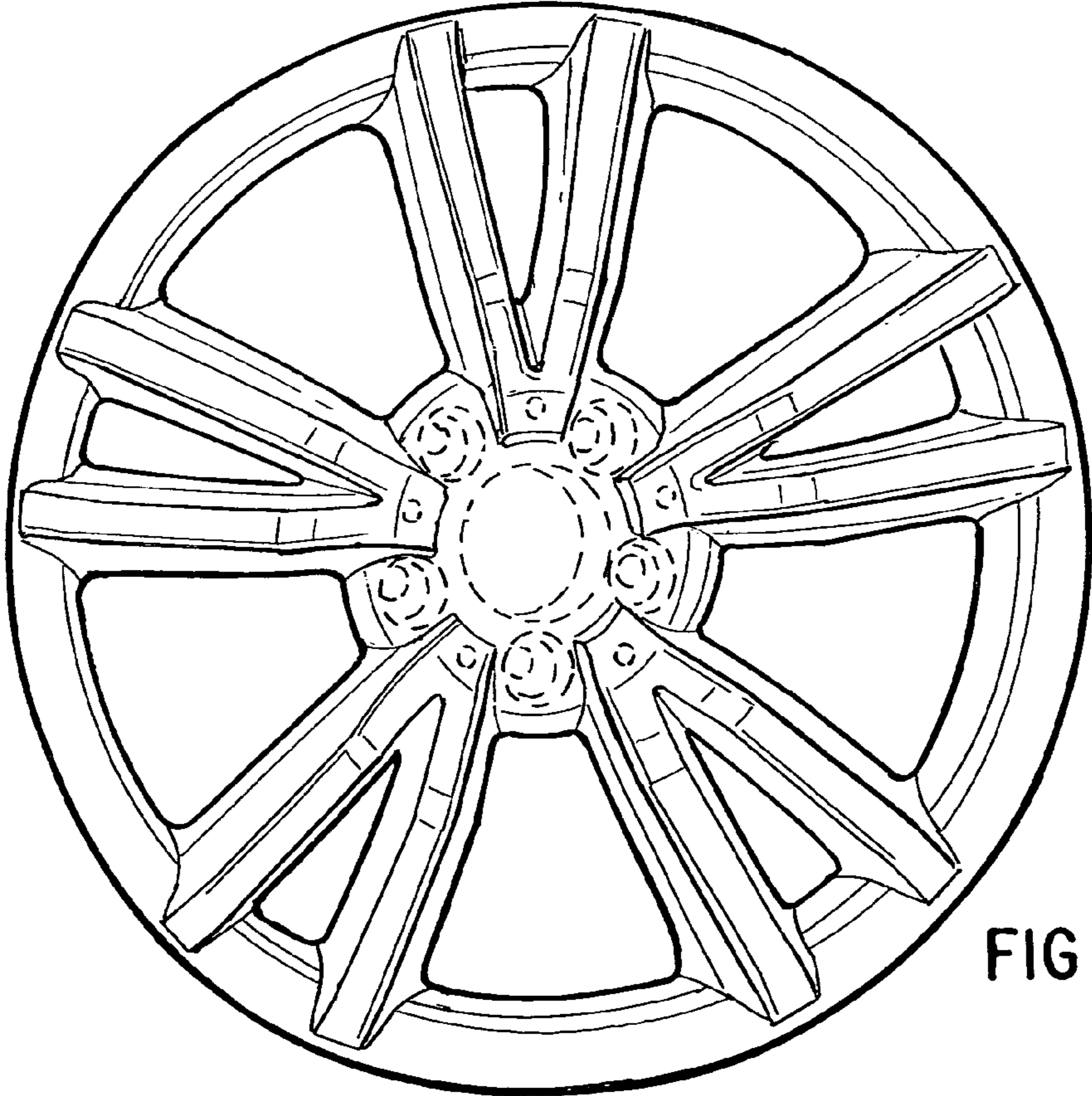


FIG. 2

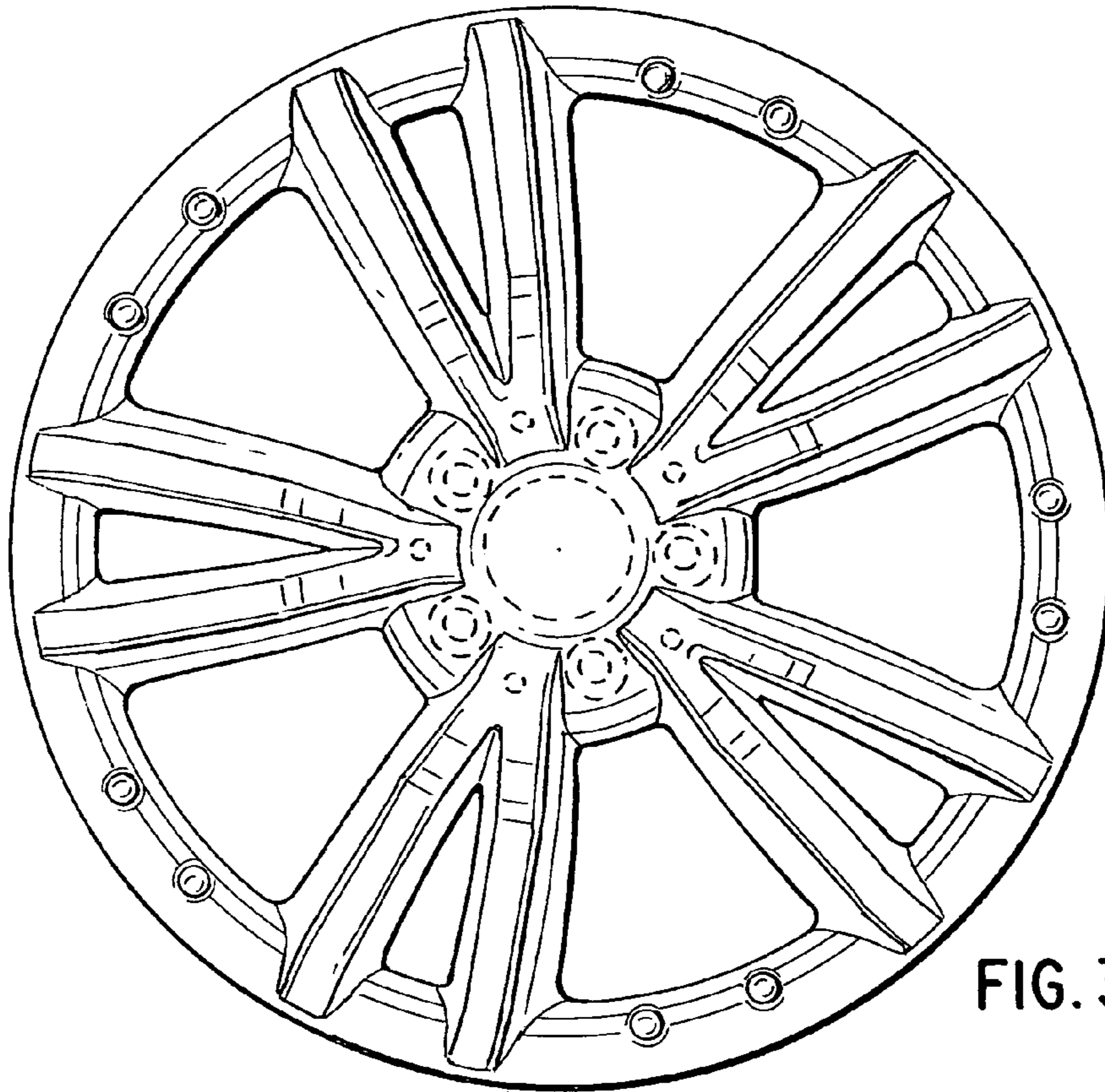


FIG. 3

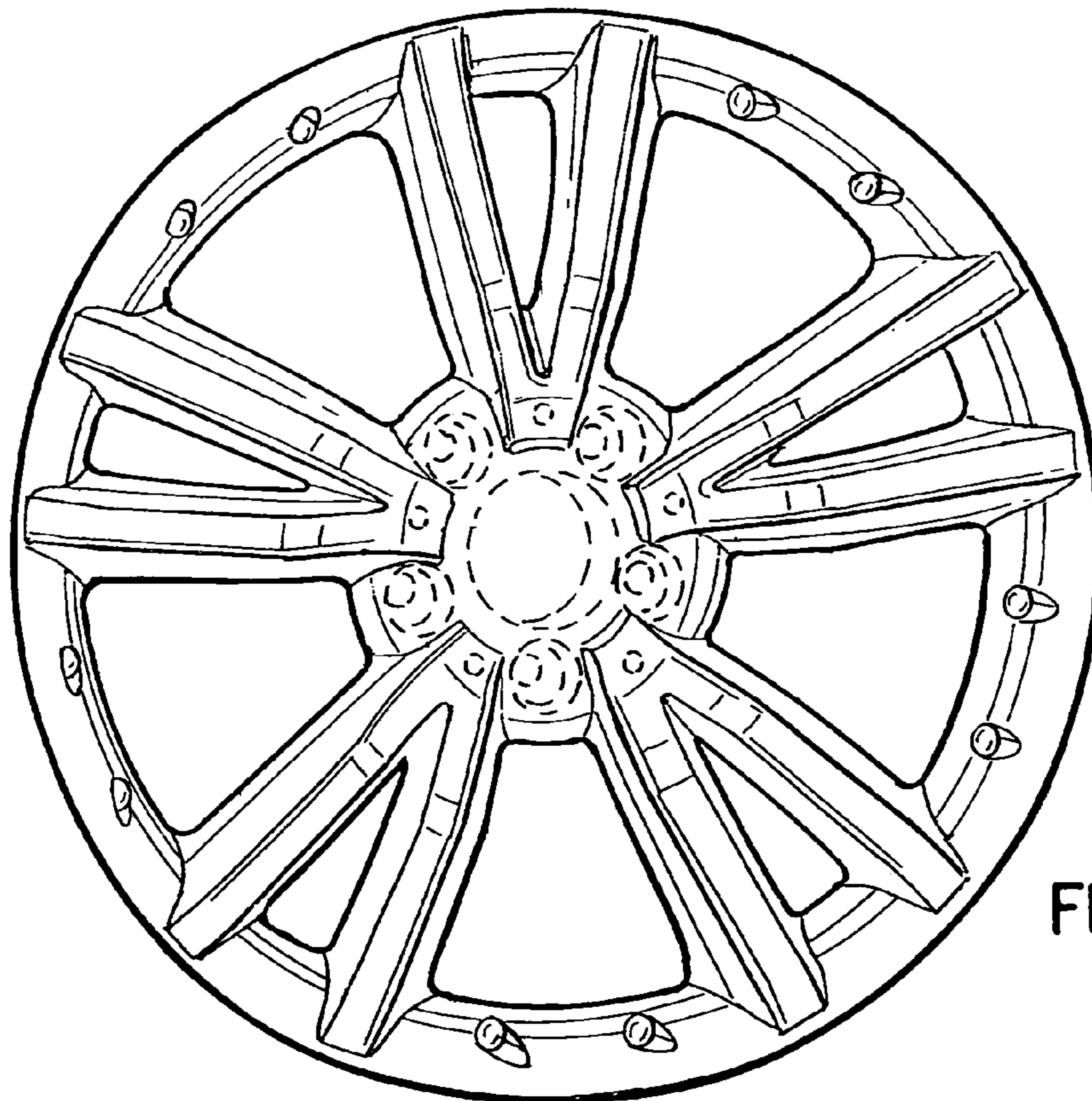


FIG. 4