



US00D589418S

(12) **United States Design Patent**
Klein et al.

(10) **Patent No.:** **US D589,418 S**
(45) **Date of Patent:** **** Mar. 31, 2009**

(54) **STICK SHIFT HANDLE**

(75) Inventors: **Thorsten Klein**, Herrenberg (DE);
Carsten Hens, Munchingen (DE)

(73) Assignee: **Dr. Ing. h.c. F. Porsche AG**, Weissach (DE)

(**) Term: **14 Years**

(21) Appl. No.: **29/298,964**

(22) Filed: **Dec. 17, 2007**

(30) **Foreign Application Priority Data**

Jun. 15, 2007 (EM) 740 394

(51) **LOC (9) Cl.** **12-16**

(52) **U.S. Cl.** **D12/179; D12/174**

(58) **Field of Classification Search** D12/174,
D12/179, 400, 606; D8/301, 303, 305, 307,
D8/310, 315; D7/393; D13/165, 171; 74/473.1,
74/475, 489, 523; 16/433; 40/331; 292/347,
292/348; 396/6; 455/345, 352
See application file for complete search history.

(56) **References Cited**

U.S. PATENT DOCUMENTS

D74,206 S * 1/1928 Williams D12/174
D213,747 S * 4/1969 Ross D12/179
D215,044 S * 8/1969 Ozako D12/179

D215,276 S * 9/1969 Spargo D8/307
D224,004 S * 6/1972 Reilly D12/179
D318,836 S * 8/1991 Hsu D12/179
5,078,242 A * 1/1992 Ratke et al. 477/96
5,515,345 A * 5/1996 Barreira et al. 369/6
D453,010 S * 1/2002 Schweer D12/174
D498,719 S * 11/2004 Yao D12/179
7,111,912 B1 * 9/2006 Ticola 303/22.1
D542,622 S * 5/2007 Ricereto D8/307
2004/0041689 A1 * 3/2004 DeBono 340/5.52

* cited by examiner

Primary Examiner—Philip S Hyder
Assistant Examiner—Cynthia Underwood

(57) **CLAIM**

The ornamental design for the stick shift handle, as shown and described.

DESCRIPTION

FIG. 1 is a top, plan view of the stick shift handle showing my new design;

FIG. 2 is a bottom plan view thereof;

FIG. 3 is a left-side view thereof;

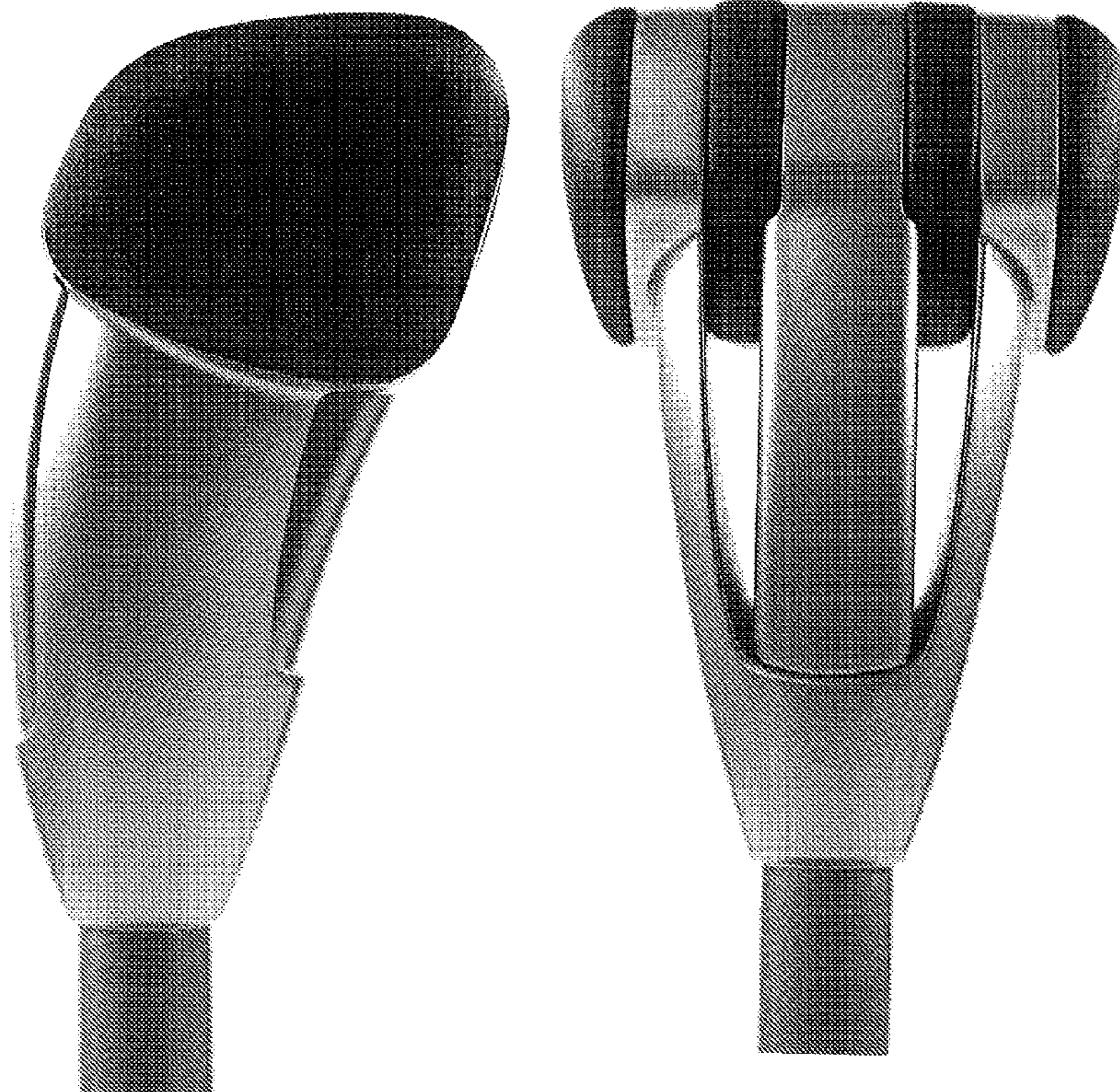
FIG. 4 is a right-side view thereof;

FIG. 5 is rear, view thereof;

FIG. 6 is a front thereof; and,

FIG. 7 is a perspective view thereof.

1 Claim, 4 Drawing Sheets



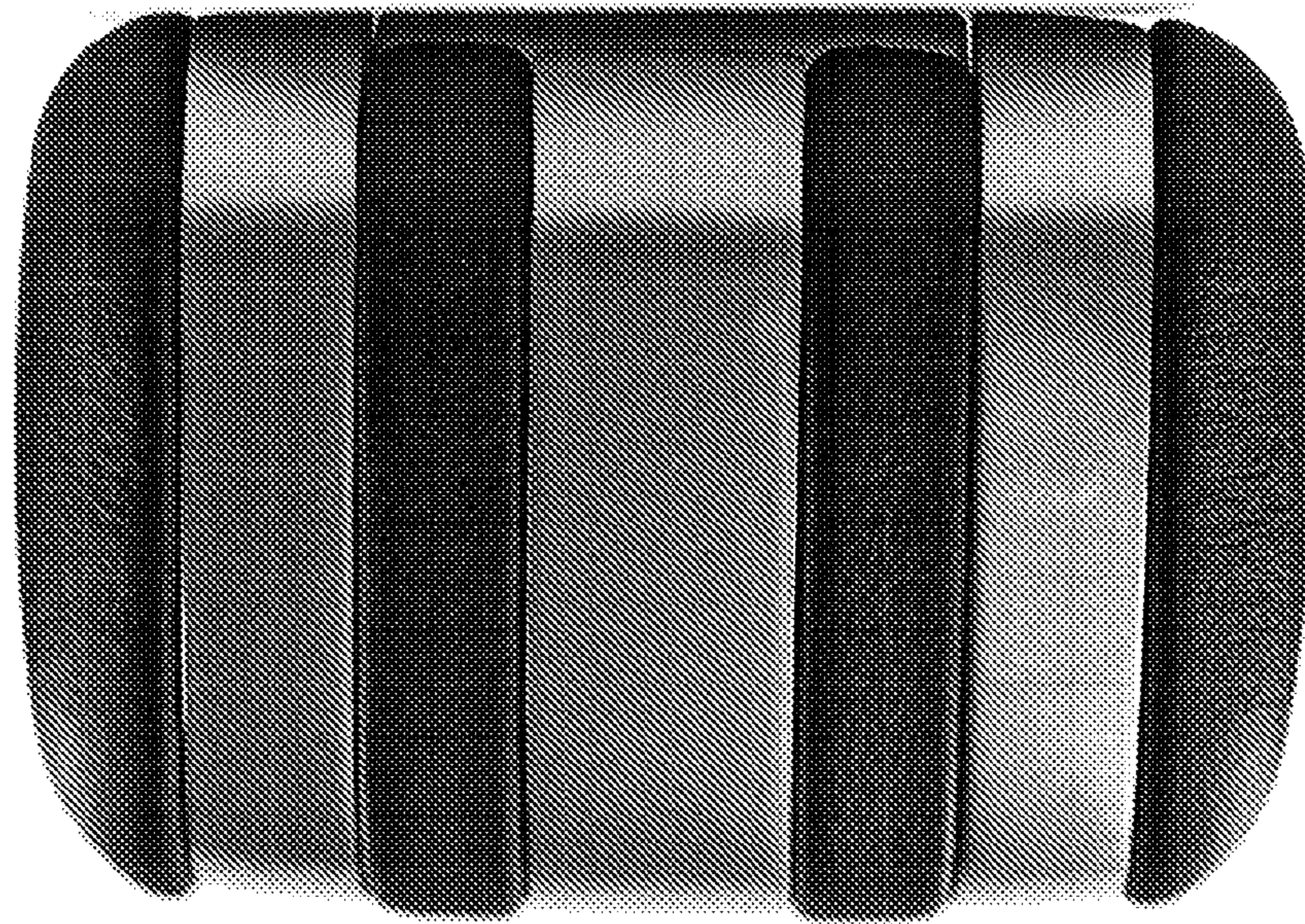


FIG. 1

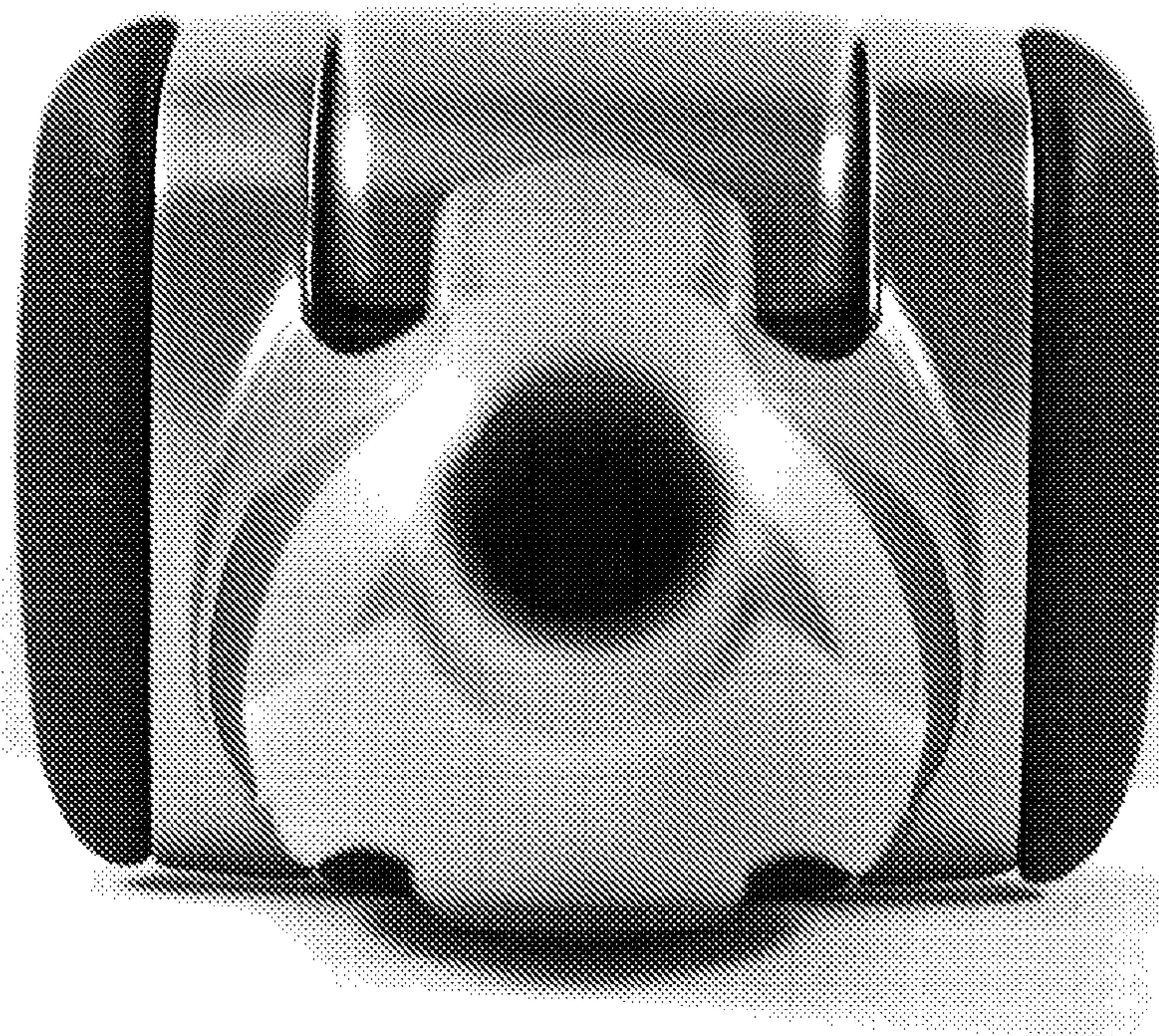


FIG. 2

FIG. 3



FIG. 4

FIG. 5

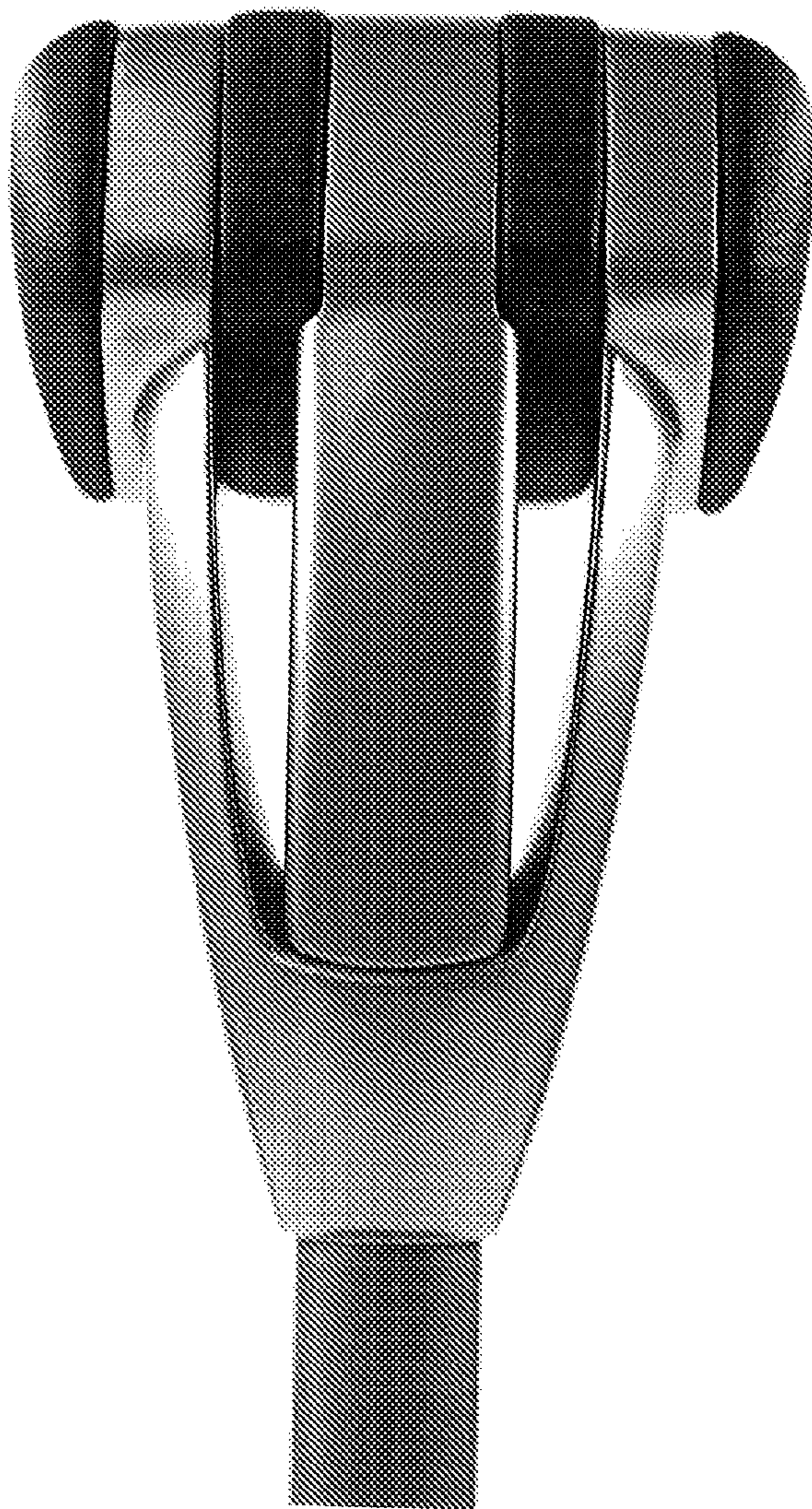
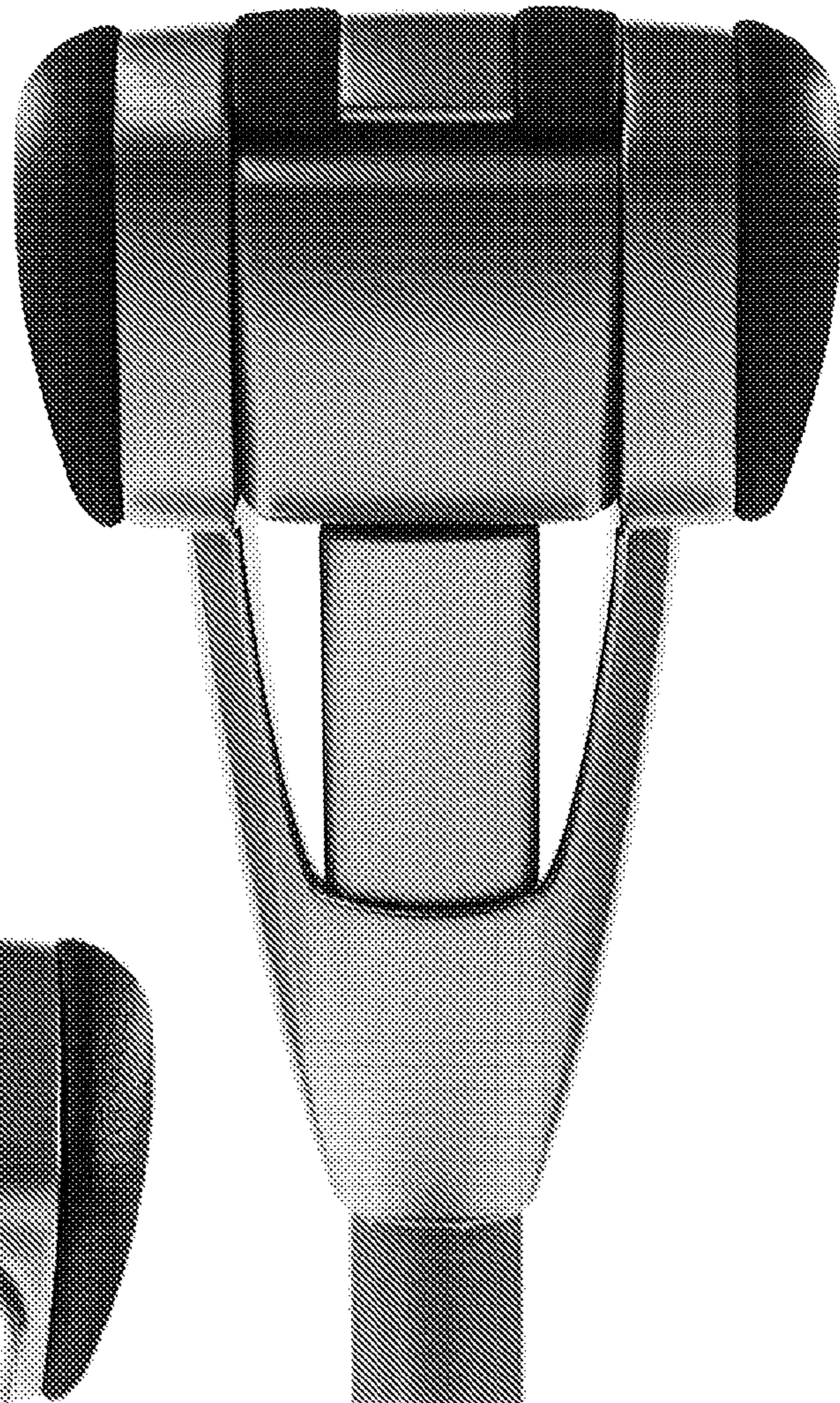


FIG. 6

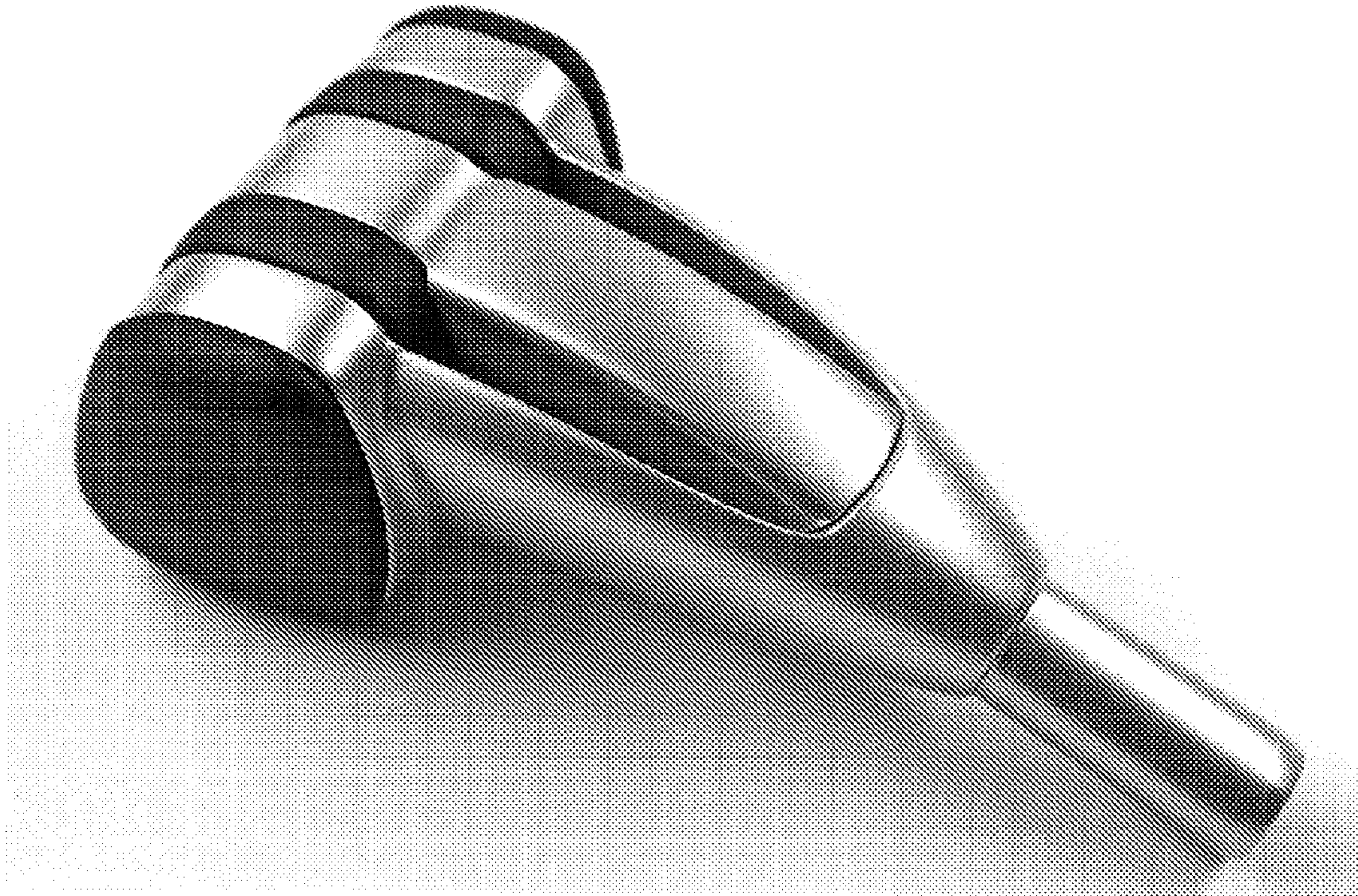


FIG. 7