



US00D589416S

(12) **United States Design Patent**
Osborne et al.

(10) **Patent No.:** **US D589,416 S**
(45) **Date of Patent:** **** Mar. 31, 2009**

(54) **VEHICLE BUMPER**

(75) Inventors: **Art Osborne**, San Pedro, CA (US);
Kenneth Snow, Torrance, CA (US)

(73) Assignee: **Honda Motor Co., Ltd.**, Tokyo (JP)

(**) Term: **14 Years**

(21) Appl. No.: **29/323,914**

(22) Filed: **Sep. 3, 2008**

Related U.S. Application Data

(62) Division of application No. 29/304,811, filed on Mar. 7, 2008.

(51) **LOC (9) Cl.** **12-16**

(52) **U.S. Cl.** **D12/169**

(58) **Field of Classification Search** D12/169,
D12/196, 171, 163, 216, 90-92, 86; 293/102,
293/113, 115, 117, 120; 296/180.1, 180.2
See application file for complete search history.

(56) **References Cited**

U.S. PATENT DOCUMENTS

D544,418 S * 6/2007 Kono D12/169
D560,574 S * 1/2008 Okamoto et al. D12/169
D562,742 S * 2/2008 Platto et al. D12/169

D563,844 S * 3/2008 Kodama et al. D12/169
D564,424 S * 3/2008 Nakajima D12/169
D576,928 S * 9/2008 Miyazaki D12/169

* cited by examiner

Primary Examiner—Melody N Brown
(74) *Attorney, Agent, or Firm*—Plumsea Law Group, LLC;
Mark E. Duell

(57) **CLAIM**

The ornamental design for a vehicle bumper, as shown and described.

DESCRIPTION

FIG. 1 is a perspective view of a vehicle bumper showing our new design;

FIG. 2 is a front elevational view thereof;

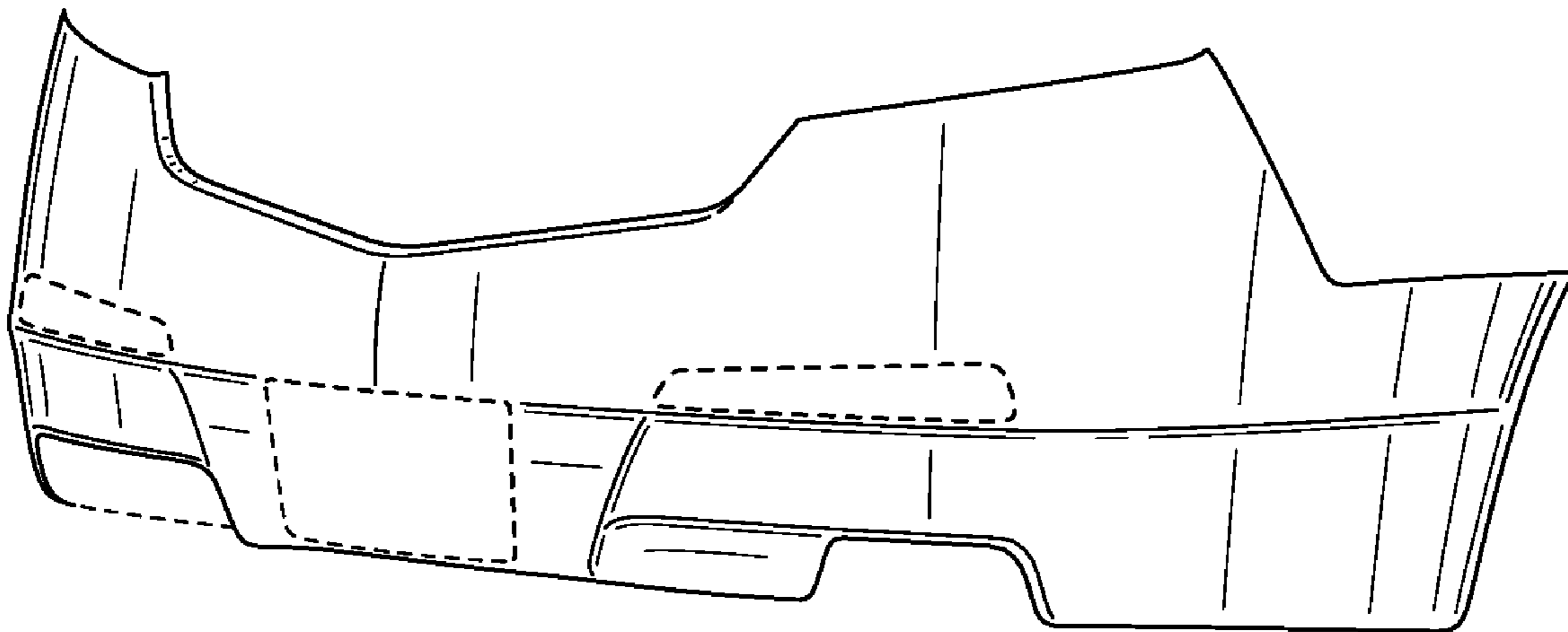
FIG. 3 is a side elevational view of one side thereof;

FIG. 4 is a side elevational view of the opposite side thereof; and,

FIG. 5 is a top plan view thereof.

The broken line showings of the rectangle in the central region and the pair of trapezoids form no part of the claimed design.

1 Claim, 2 Drawing Sheets



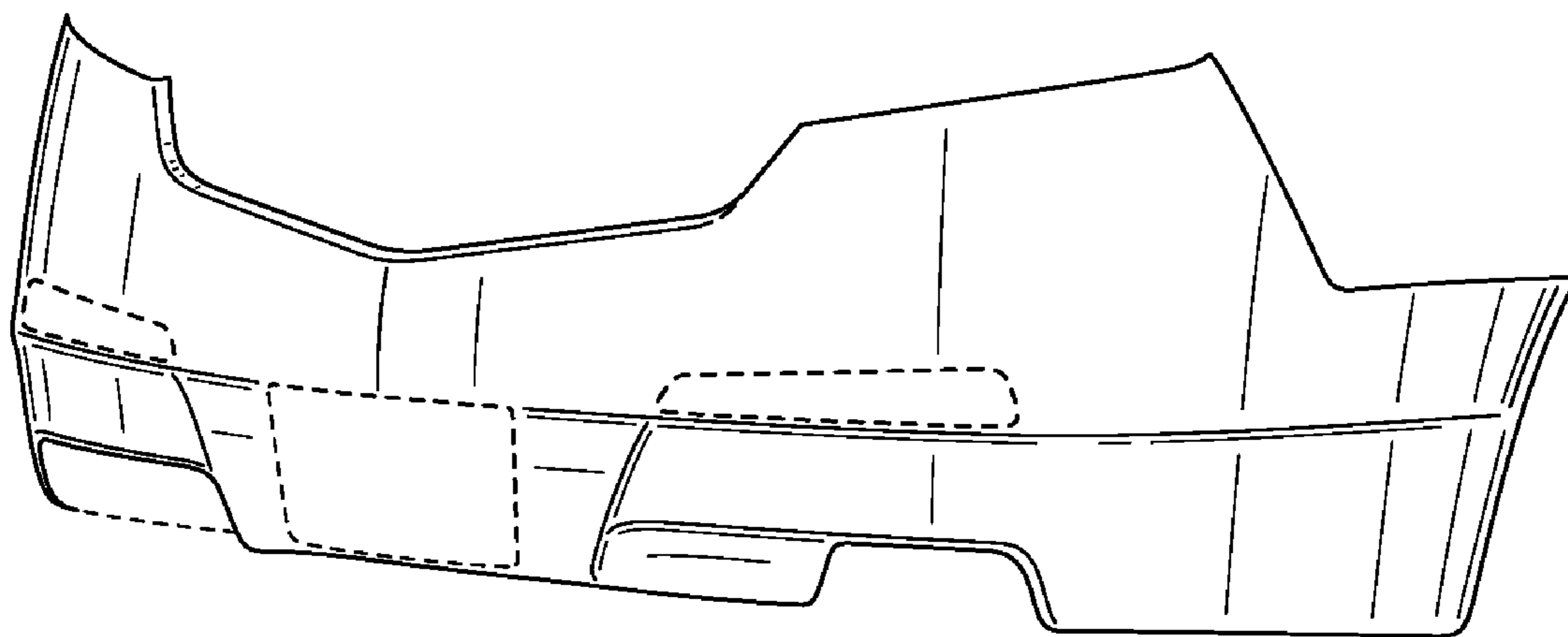


FIG. 1

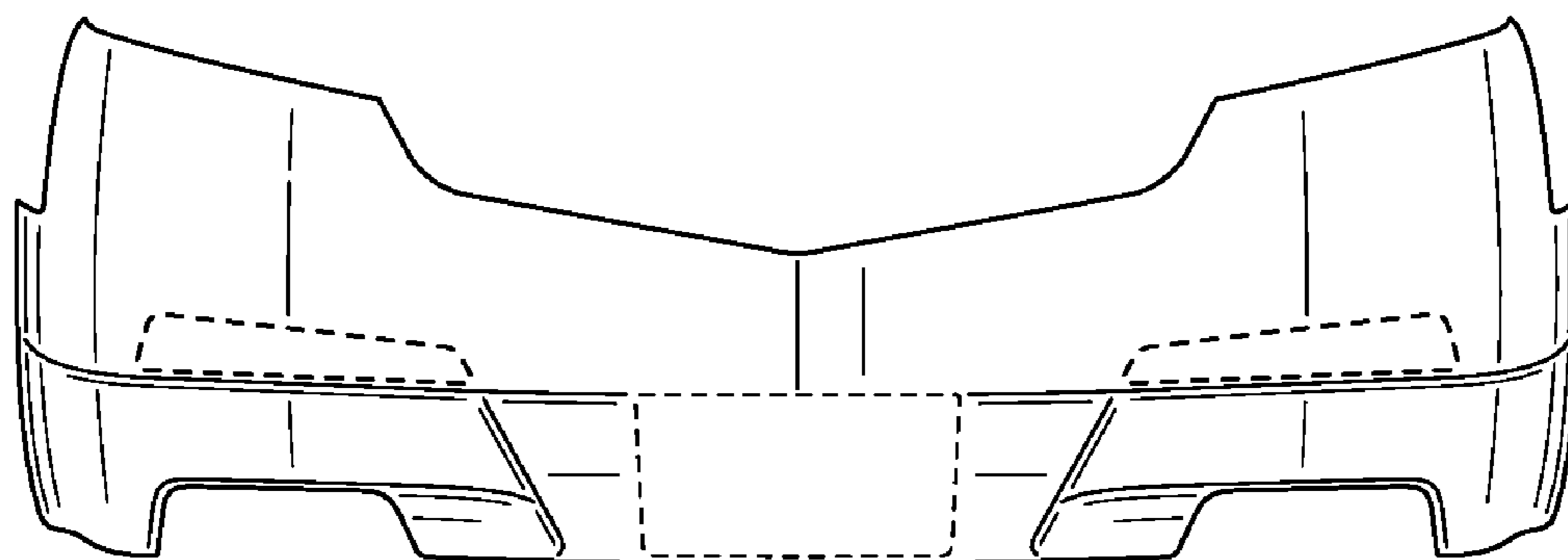


FIG. 2

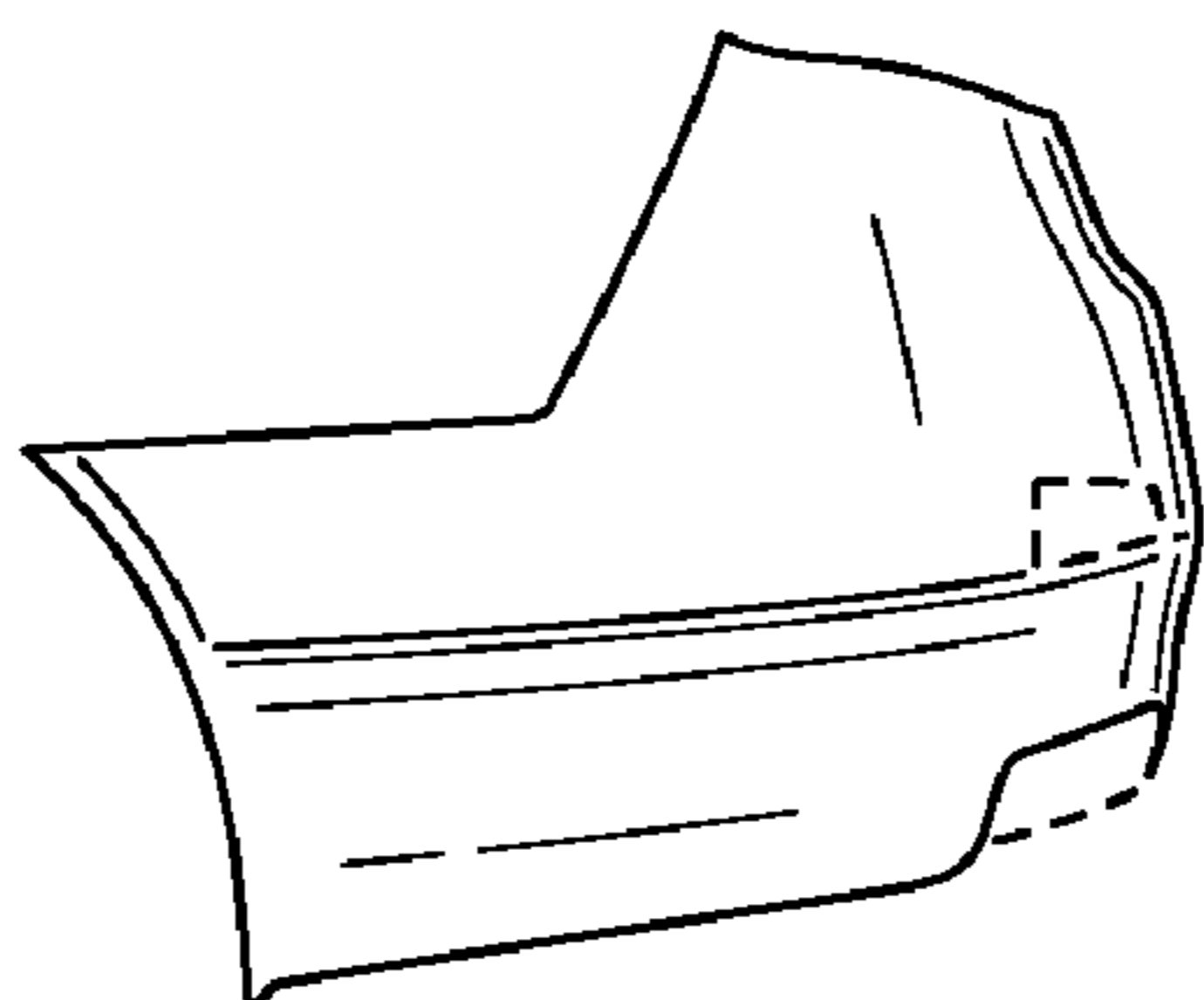


FIG. 3

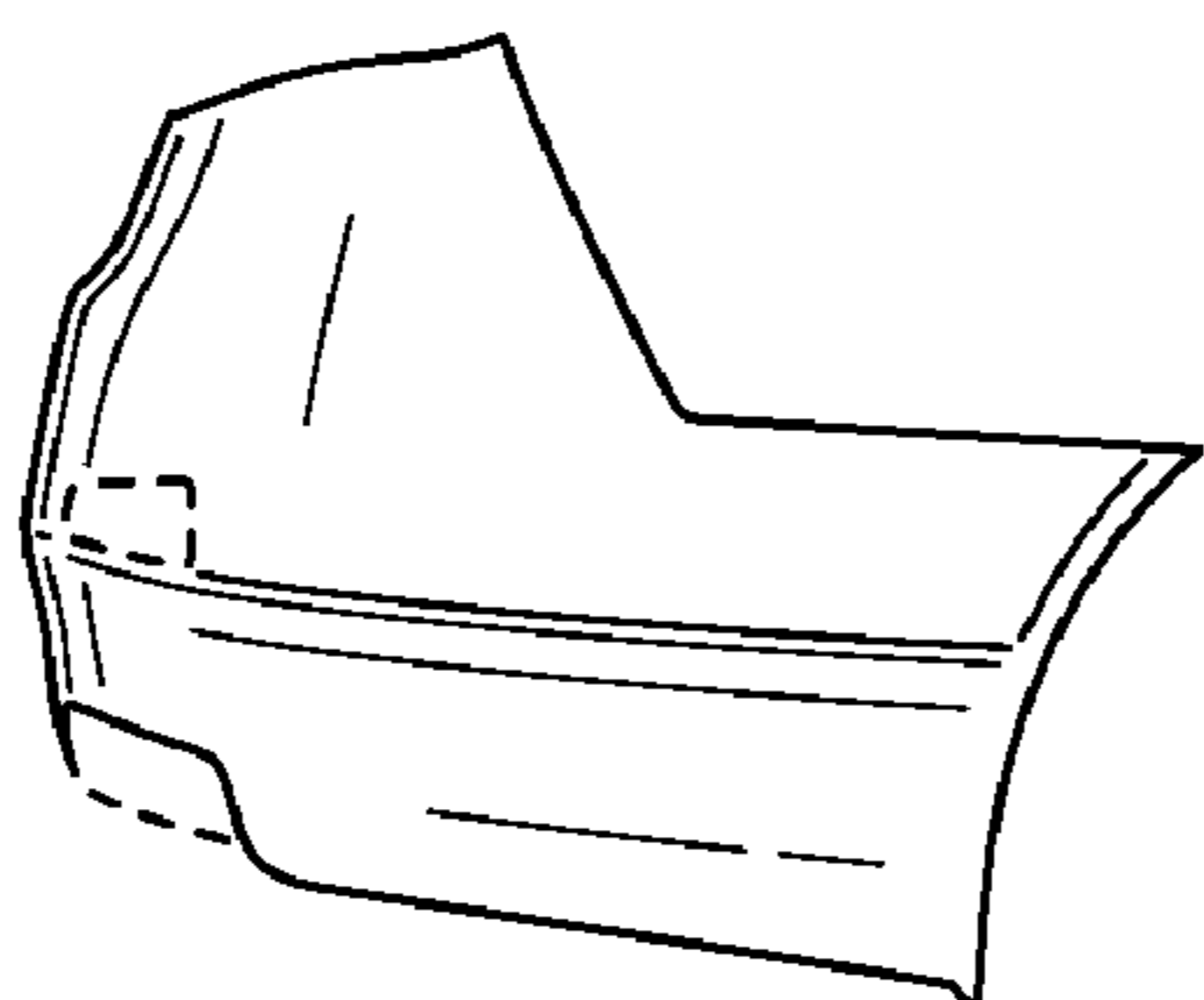


FIG. 4



FIG. 5