



US00D589414S

(12) **United States Design Patent**
Futschik et al.

(10) **Patent No.:** **US D589,414 S**
(45) **Date of Patent:** **** Mar. 31, 2009**

(54) **FRONT BUMPER FOR A VEHICLE**

(75) Inventors: **Hans-Dieter Futschik**, Gechingen (DE);
Stefan Handt, Stuttgart (DE); **Steffen Koehl**, Stuttgart (DE); **Frank Pfisterer**, Weil der Stadt (DE)

(73) Assignee: **Daimler AG**, Stuttgart (DE)

(**) Term: **14 Years**

(21) Appl. No.: **29/300,894**

(22) Filed: **May 27, 2008**

(30) **Foreign Application Priority Data**

Nov. 28, 2007 (DE) 40705900

(51) **LOC (9) Cl.** **12-16**

(52) **U.S. Cl.** **D12/169**

(58) **Field of Classification Search** D12/169,
D12/196, 171, 163, 216, 90-92, 86; 293/102,
293/113, 115, 117, 120; 296/180.1, 180.2
See application file for complete search history.

(56) **References Cited**

U.S. PATENT DOCUMENTS

D504,365 S * 4/2005 Pfeiffer D12/169
D516,474 S * 3/2006 Honda et al. D12/169
D520,417 S * 5/2006 Yagi et al. D12/169
D522,938 S * 6/2006 Iwanaga D12/169

D533,120 S * 12/2006 Tachibana D12/169
D533,486 S * 12/2006 Pfeiffer D12/169
D537,021 S 2/2007 Pfeiffer
D544,404 S 6/2007 Pfeiffer
D544,417 S * 6/2007 Kono D12/169
D550,129 S * 9/2007 Koizumi et al. D12/169
D550,594 S * 9/2007 Pfeiffer D12/169
D563,841 S * 3/2008 Pfeiffer D12/169

* cited by examiner

Primary Examiner—Melody N Brown

(74) *Attorney, Agent, or Firm*—Crowell & Moring LLP

(57) **CLAIM**

The ornamental design for a front bumper for a vehicle, as shown and described.

DESCRIPTION

FIG. 1 is a left perspective view of a front bumper for a vehicle according to our novel design;

FIG. 2 is a front view thereof;

FIG. 3 is a top view thereof;

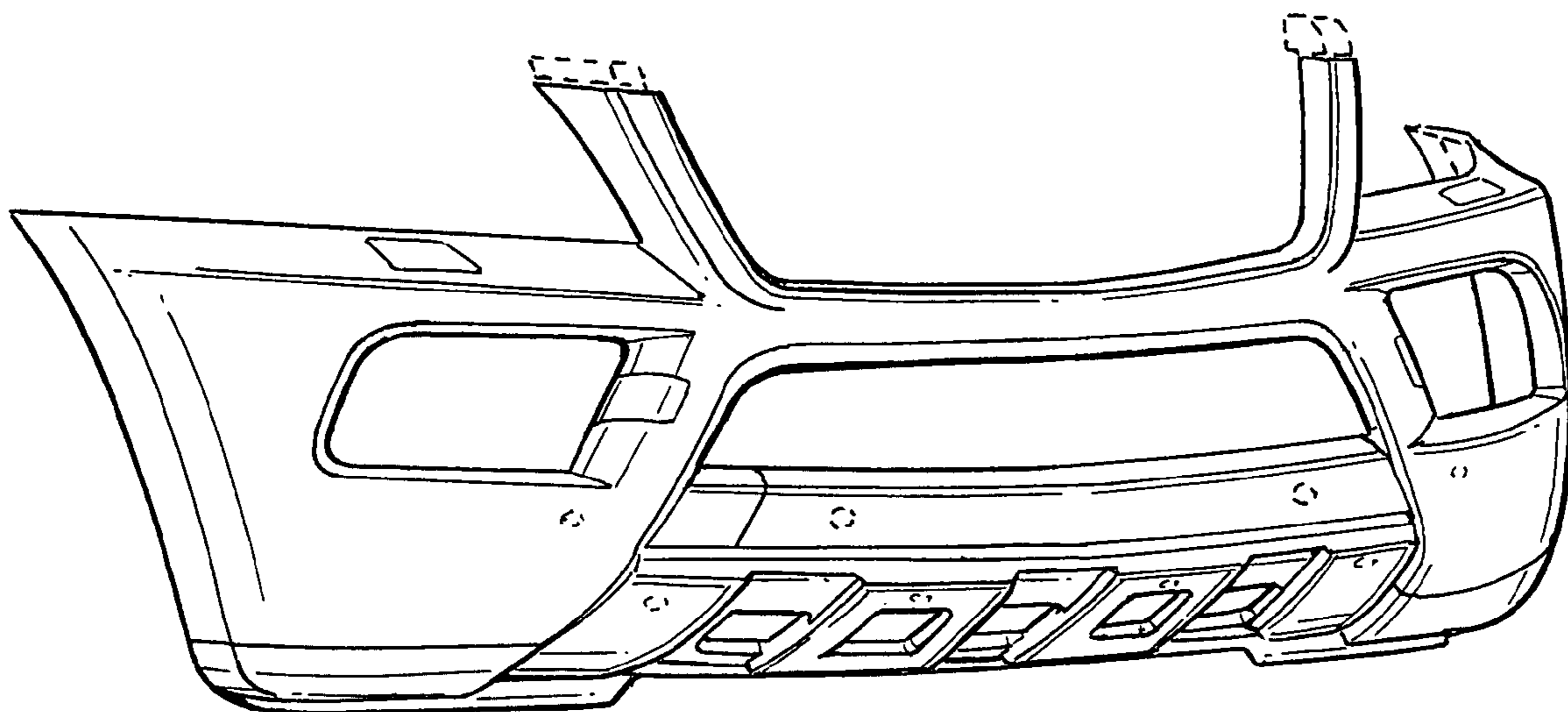
FIG. 4 is a left side view thereof;

FIG. 5 is a right side view thereof; and,

FIG. 6 is a bottom view thereof.

The broken lines are for illustrative purposes only and form no part of the claimed design.

1 Claim, 3 Drawing Sheets



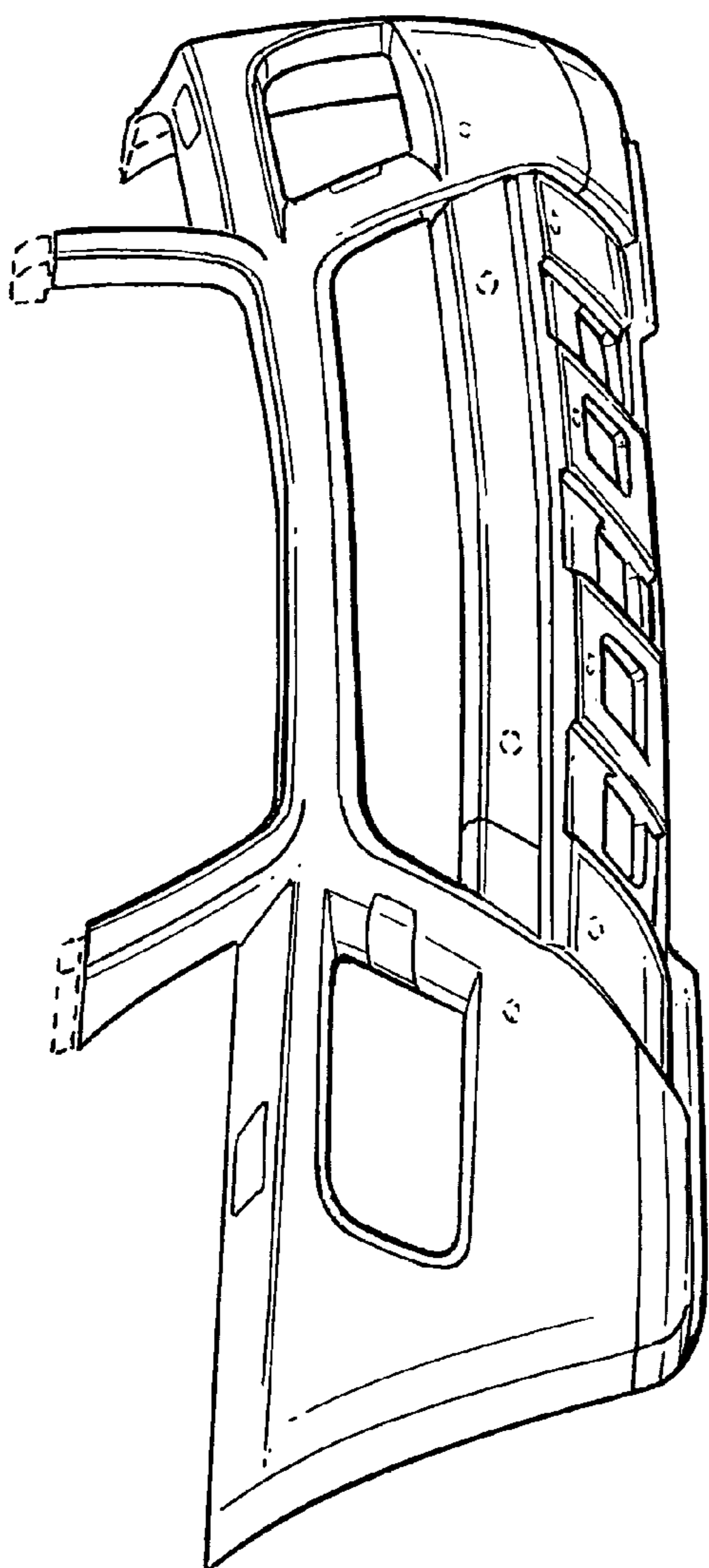


FIG. 1

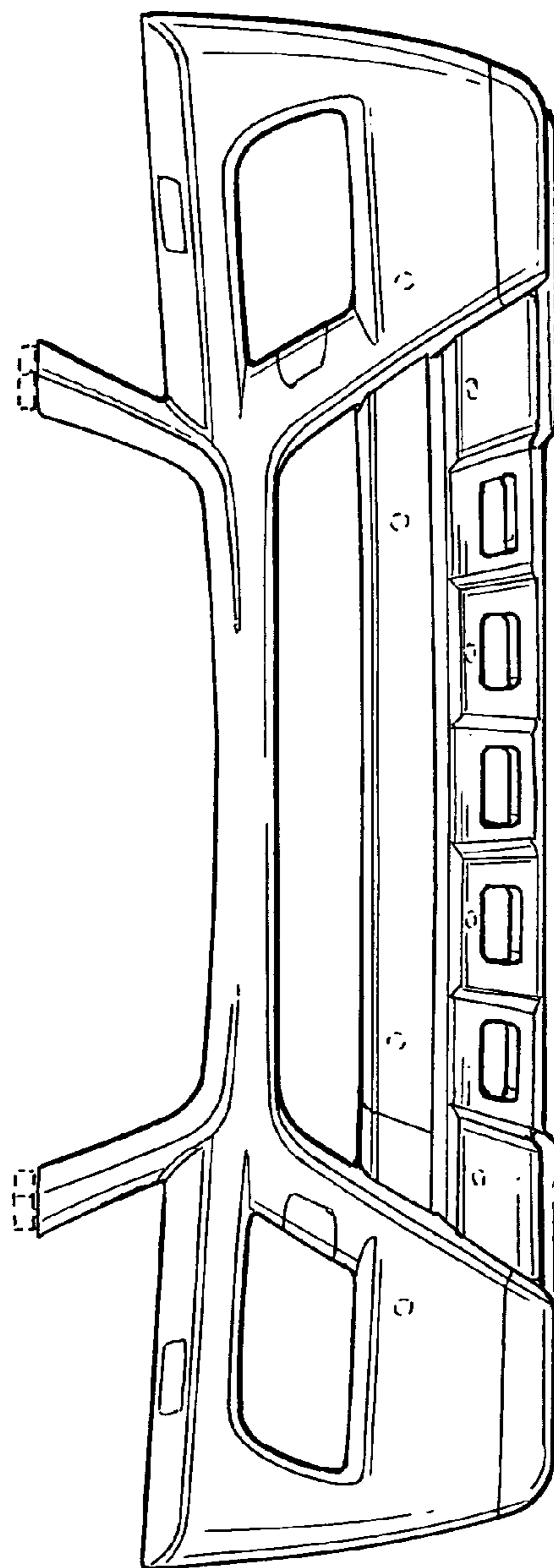


FIG. 2

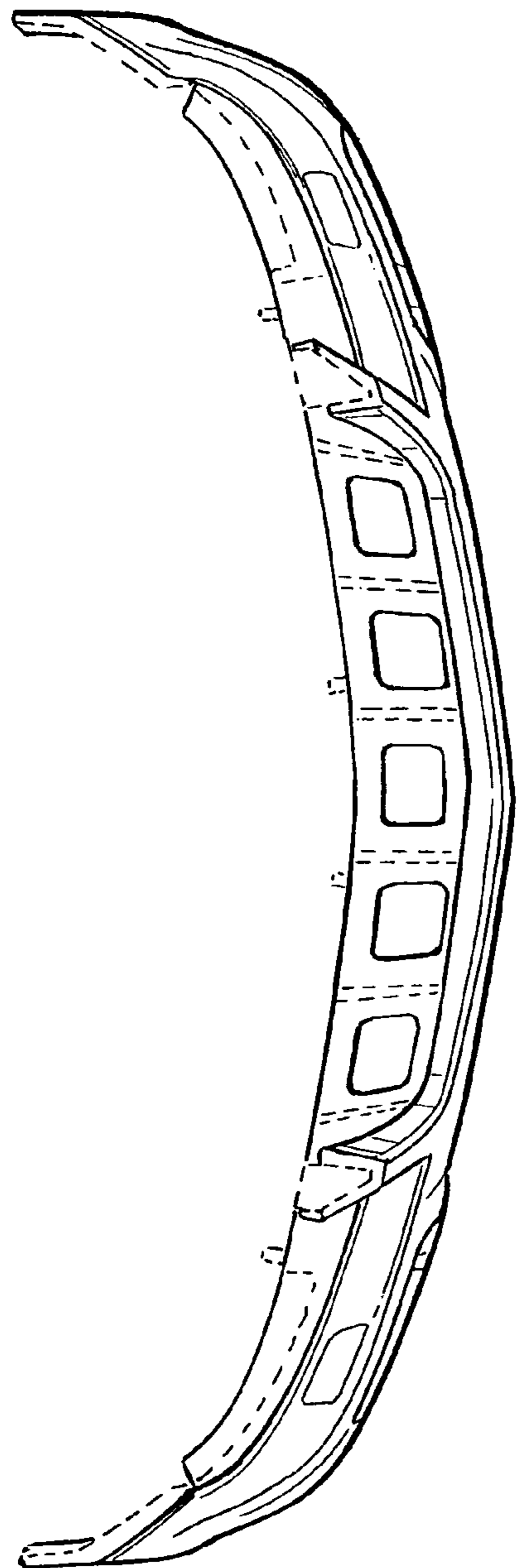


FIG. 3

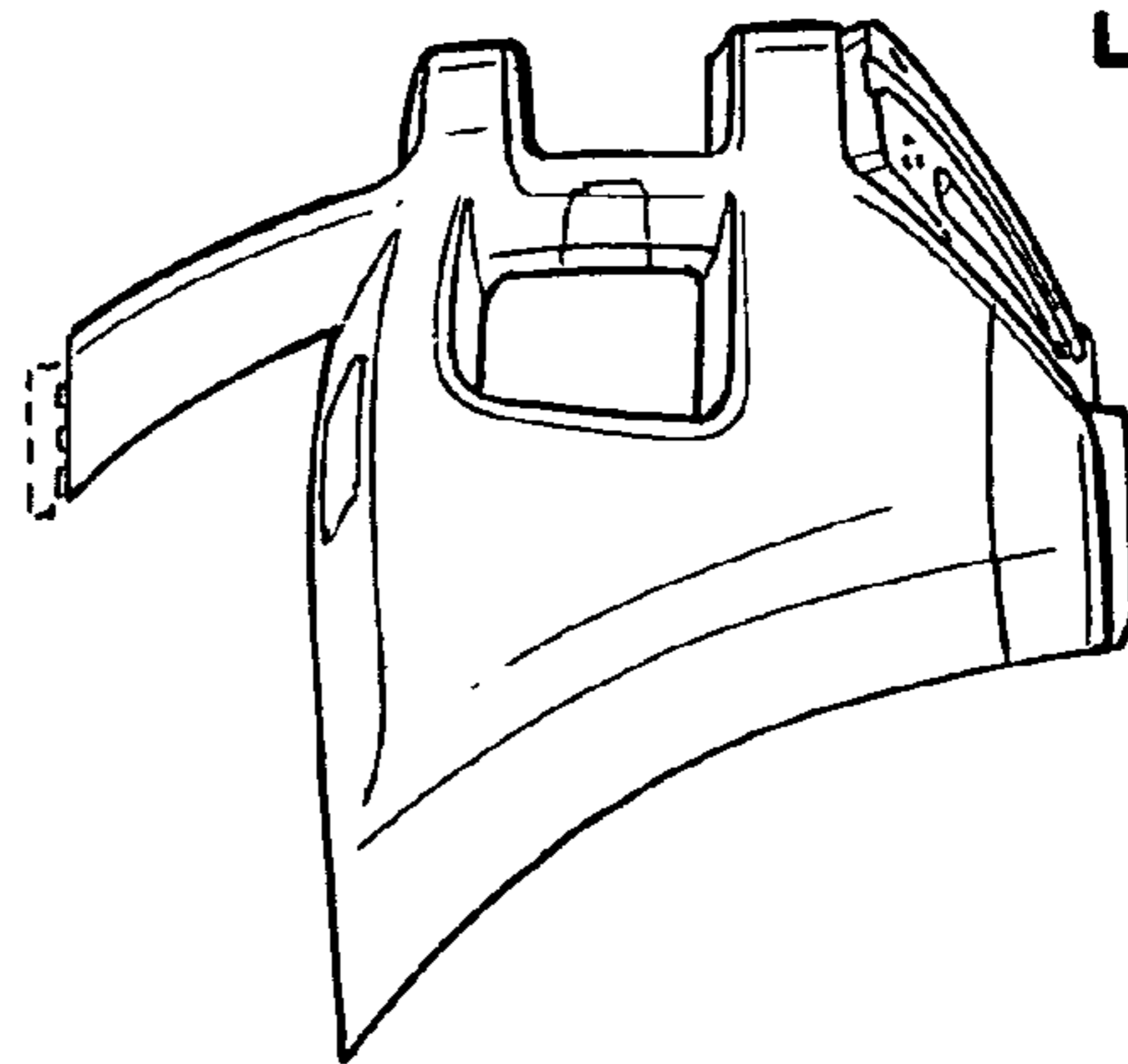


FIG. 4

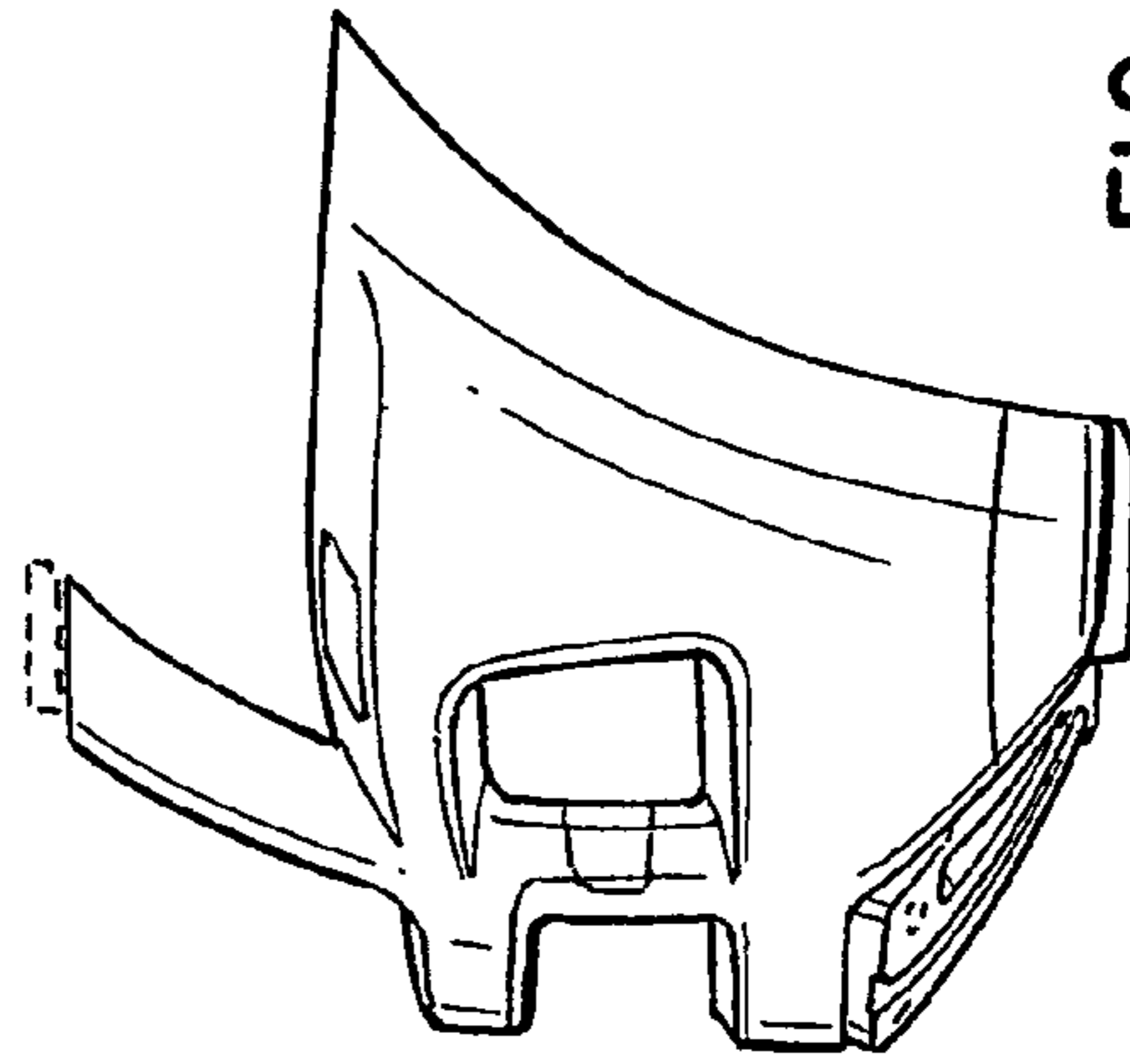


FIG. 5

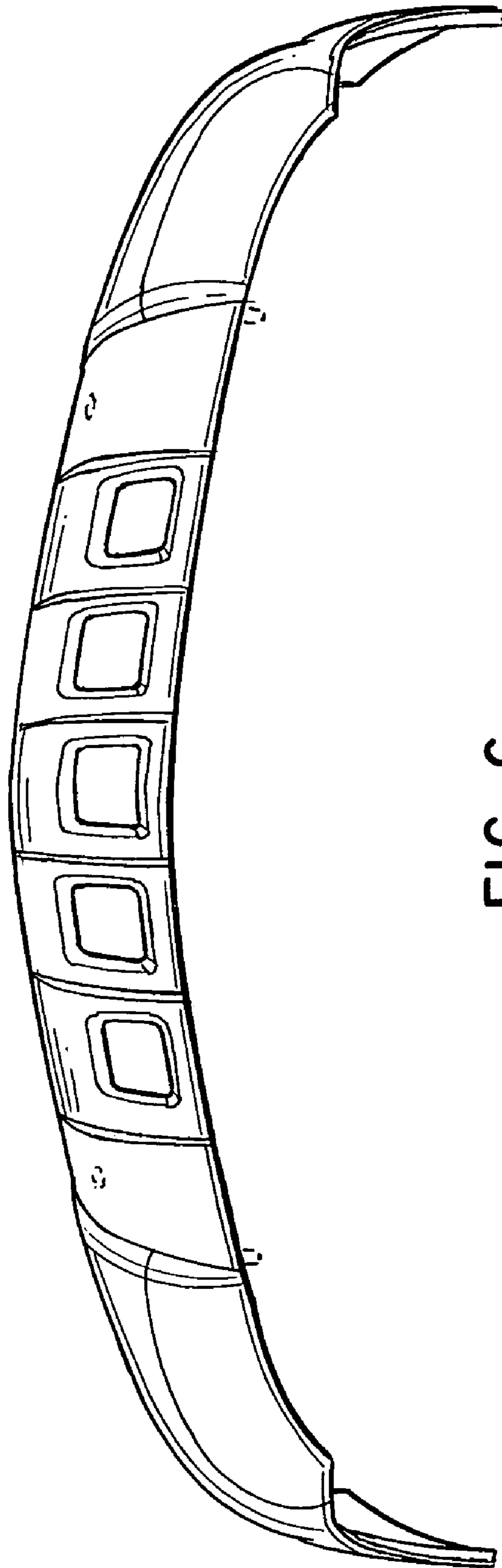


FIG. 6