



US00D589412S

(12) **United States Design Patent**
Perruchon

(10) **Patent No.:** **US D589,412 S**
(45) **Date of Patent:** **** Mar. 31, 2009**

(54) **WHEELCHAIR BUMPER**

D553,072 S * 10/2007 Smith D12/414
7,393,035 B2 * 7/2008 Leitner et al. 296/26.08

(75) Inventor: **Bruno Perruchon**, Chambray les Tours
(FR)

* cited by examiner

(73) Assignee: **Invacare International Sarl**, Gland
(CH)

Primary Examiner—Ian Simmons
Assistant Examiner—Charles D Hanson

(**) Term: **14 Years**

(74) *Attorney, Agent, or Firm*—Calfee, Halter & Griswold
LLP

(21) Appl. No.: **29/304,351**

(57) **CLAIM**

(22) Filed: **Feb. 29, 2008**

The ornamental design for a wheelchair bumper, as shown
and described.

(30) **Foreign Application Priority Data**

Aug. 31, 2007 (EM) 000782073-001
Aug. 31, 2007 (EM) 000782073-002

DESCRIPTION

(51) **LOC (9) Cl.** **12-12**

FIG. 1 is a perspective view of a wheelchair bumper of the
new design;

(52) **U.S. Cl.** **D12/133**

FIG. 2 is a front elevational view of the wheelchair bumper of
FIG. 1;

(58) **Field of Classification Search** D12/128–133,
D12/414, 414.1; 280/62, 647–650, 29, 200,
280/47.38, 35, 250.1, 259, 642, 658; 296/65.03,
296/65.04; 135/65–67, 74; D21/419, 421,
D21/423, 743, 765, 477; D25/38, 45

FIG. 3 is a rear elevational view of the wheelchair bumper of
FIG. 1;

See application file for complete search history.

FIG. 4 is a left side elevational view of the wheelchair bumper
of FIG. 1;

(56) **References Cited**

U.S. PATENT DOCUMENTS

D417,859 S * 12/1999 Leitner et al. D12/414
D418,106 S * 12/1999 Leitner et al. D12/414
D485,619 S * 1/2004 Hofer D25/38
6,719,345 B2 * 4/2004 Ootsuka et al. 296/26.08
D521,910 S * 5/2006 Gillett et al. D12/133
7,063,366 B2 * 6/2006 Leitner et al. 296/26.11
D544,826 S * 6/2007 Smith D12/414

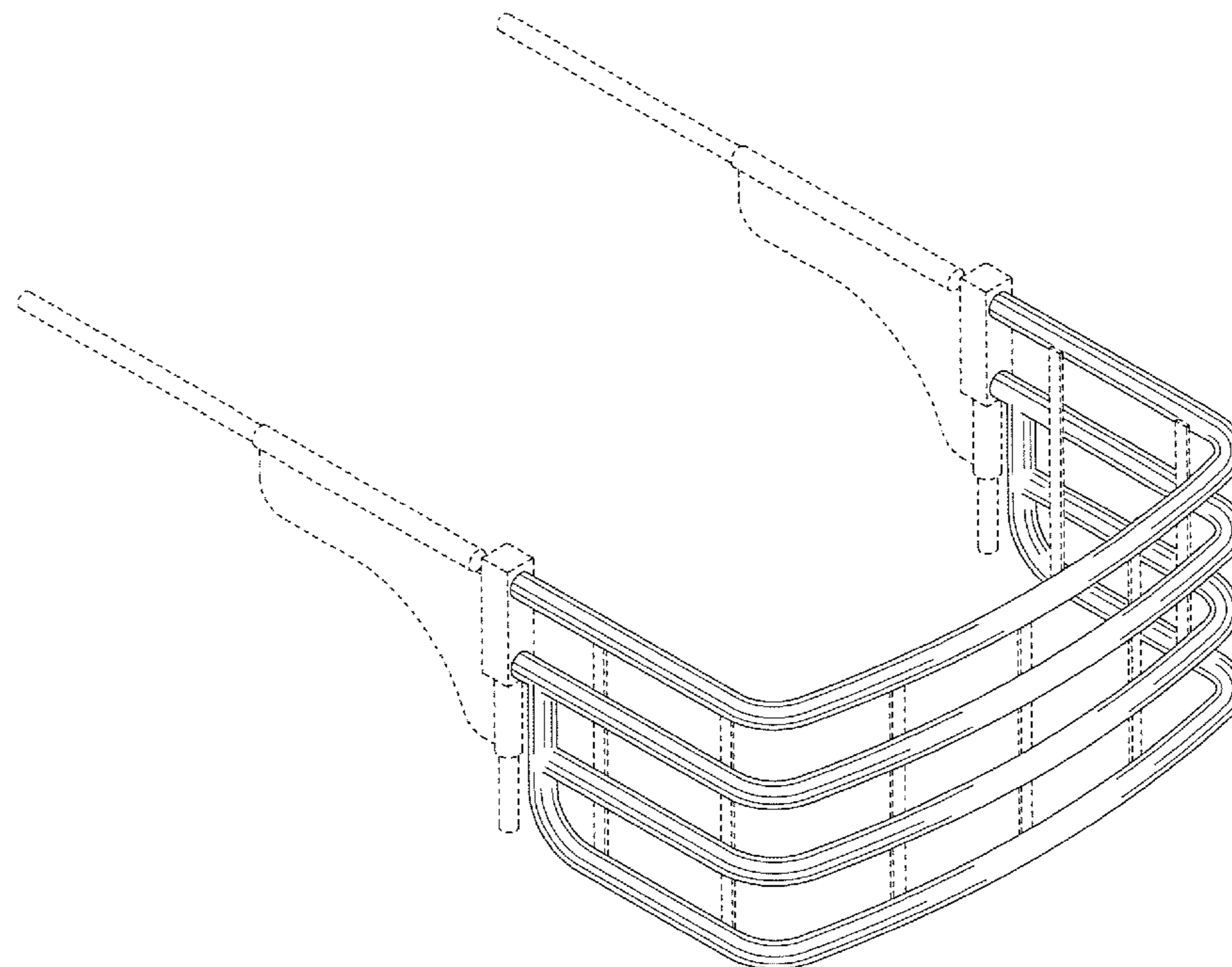
FIG. 5 is a right side elevational view of the wheelchair
bumper of FIG. 1;

FIG. 6 is a top plan view of the wheelchair bumper of FIG. 1;
and,

FIG. 7 is a bottom plan view of the wheelchair bumper of FIG.
1.

The portions of the Figures shown in broken lines are not part
of the claimed design and are for illustration only.

1 Claim, 5 Drawing Sheets



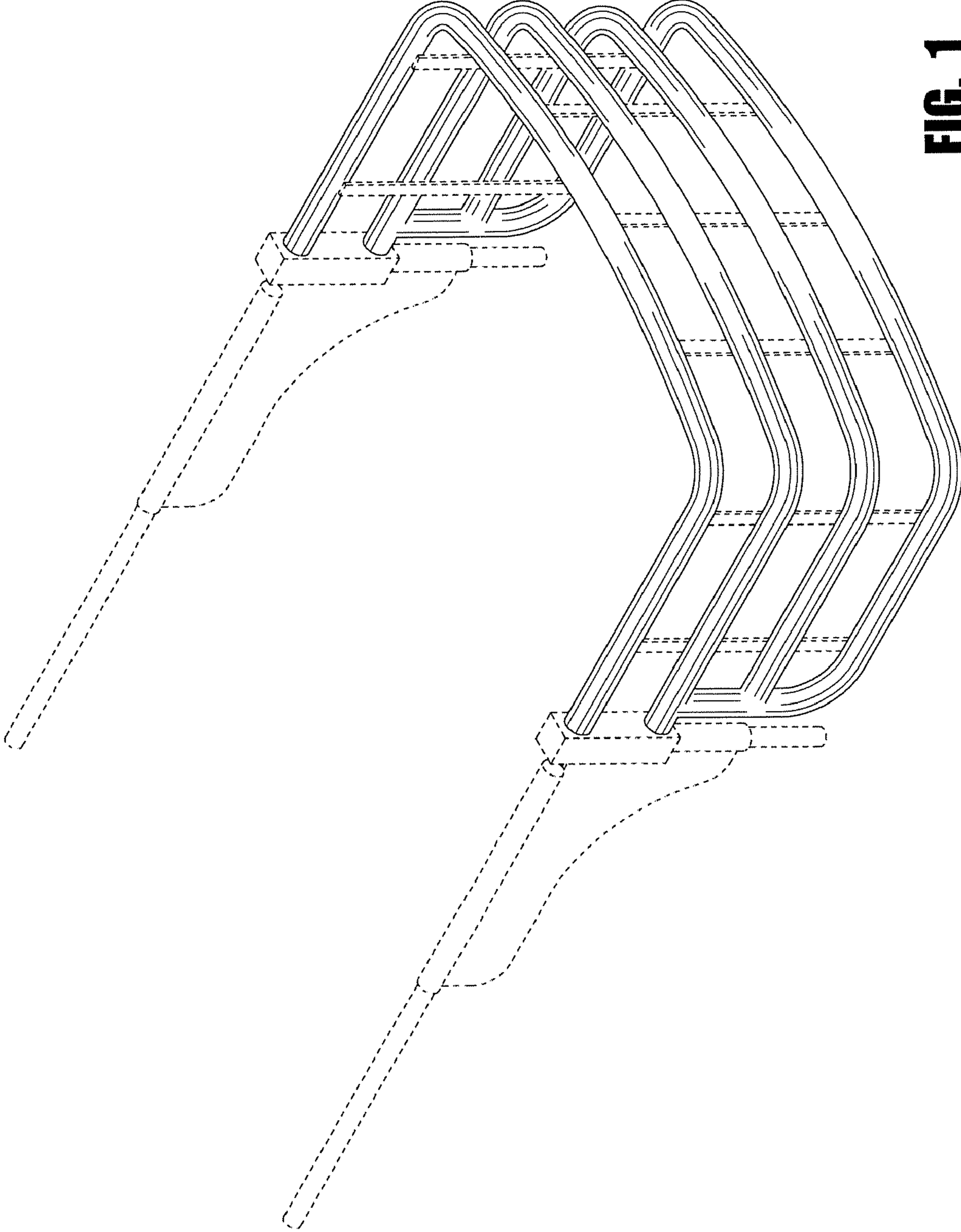


FIG. 1

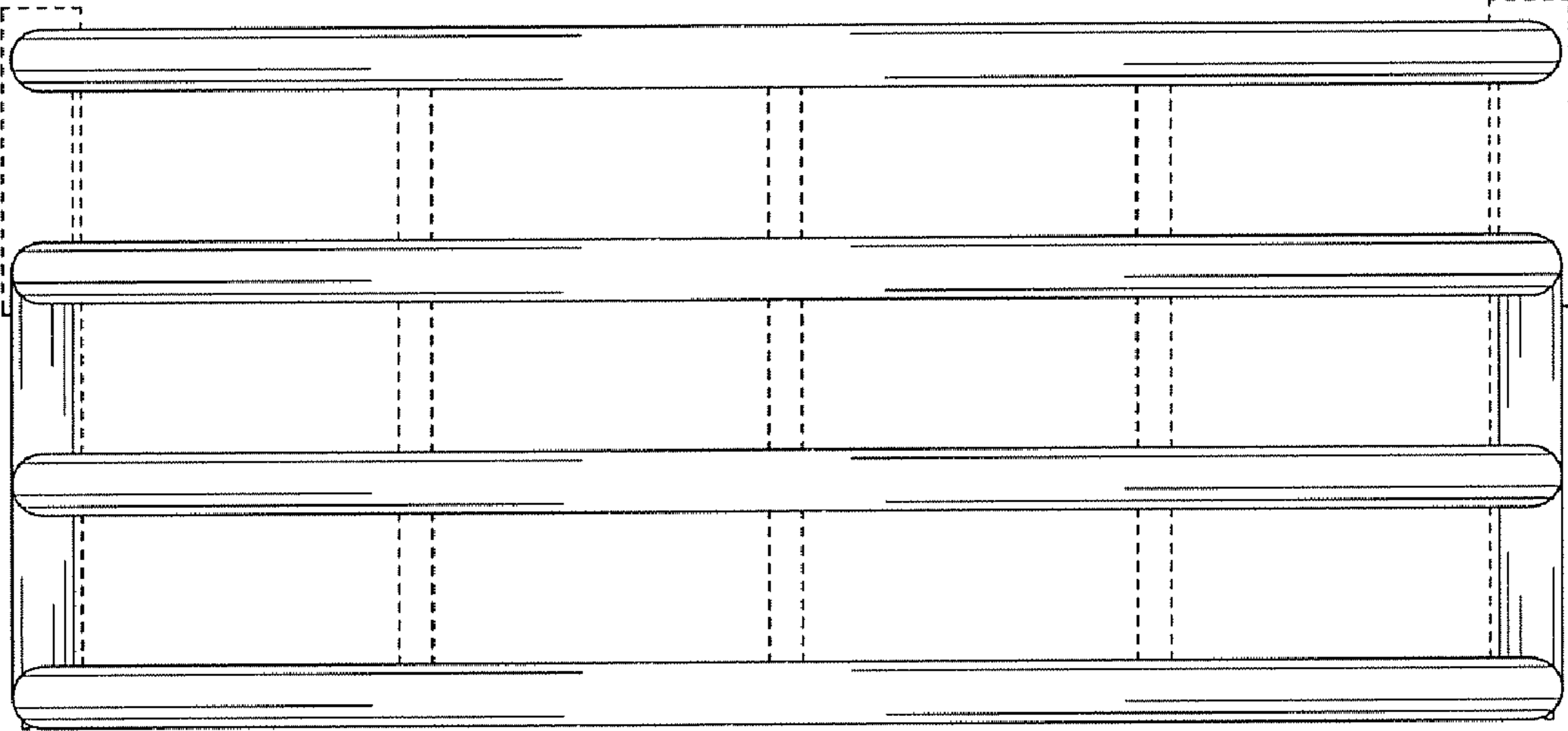


FIG. 2

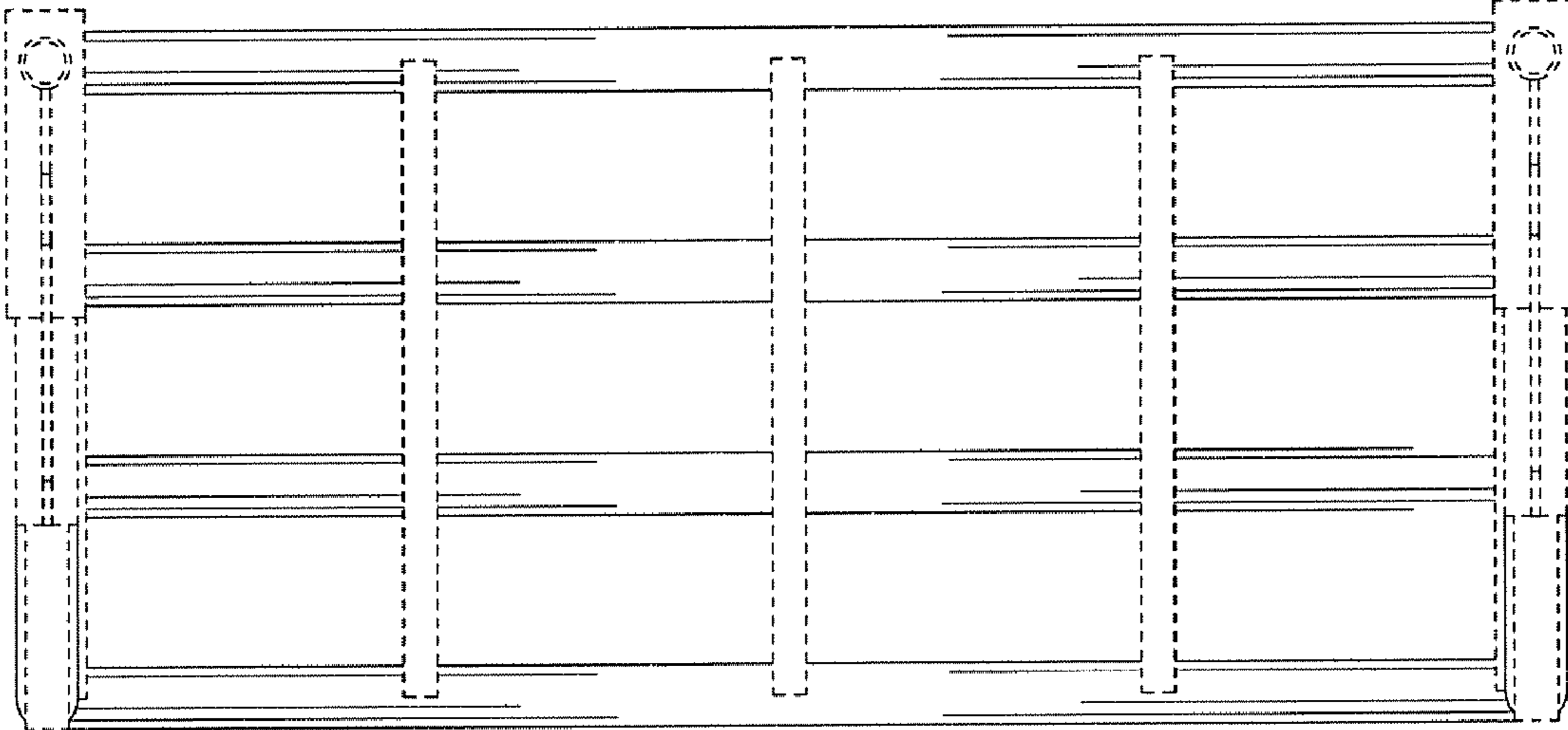


FIG. 3

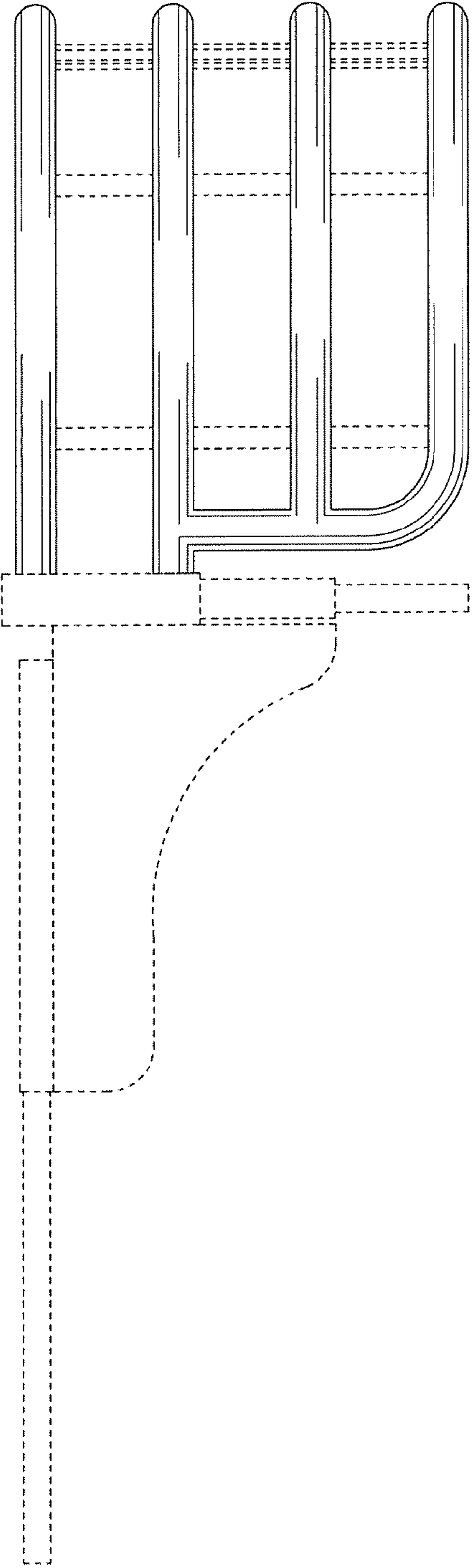


FIG. 4

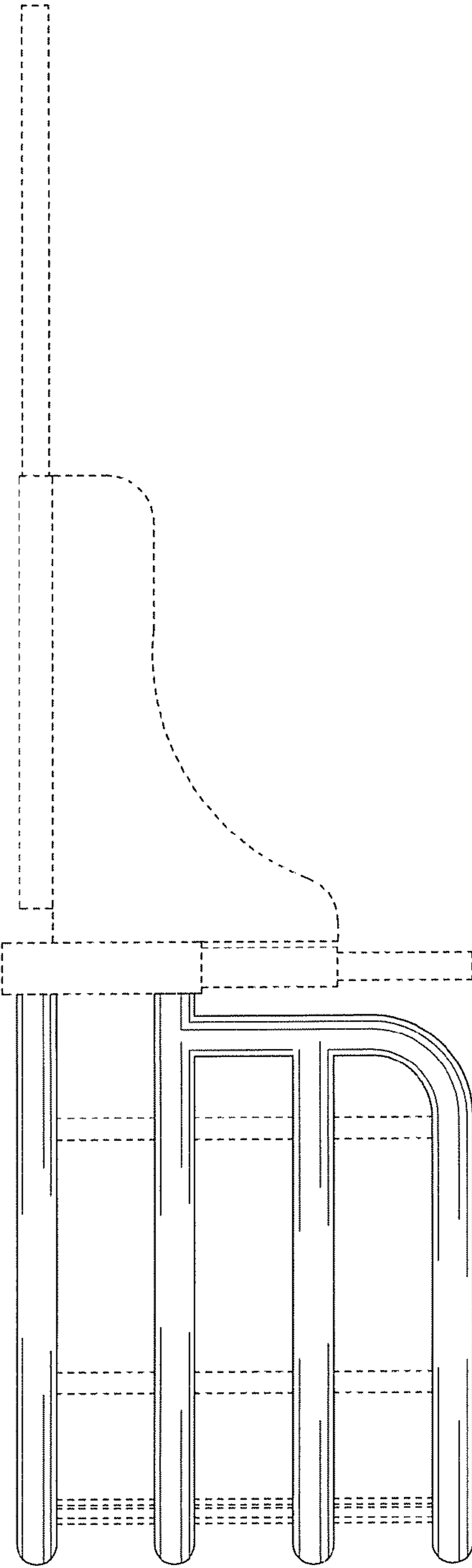


FIG. 5

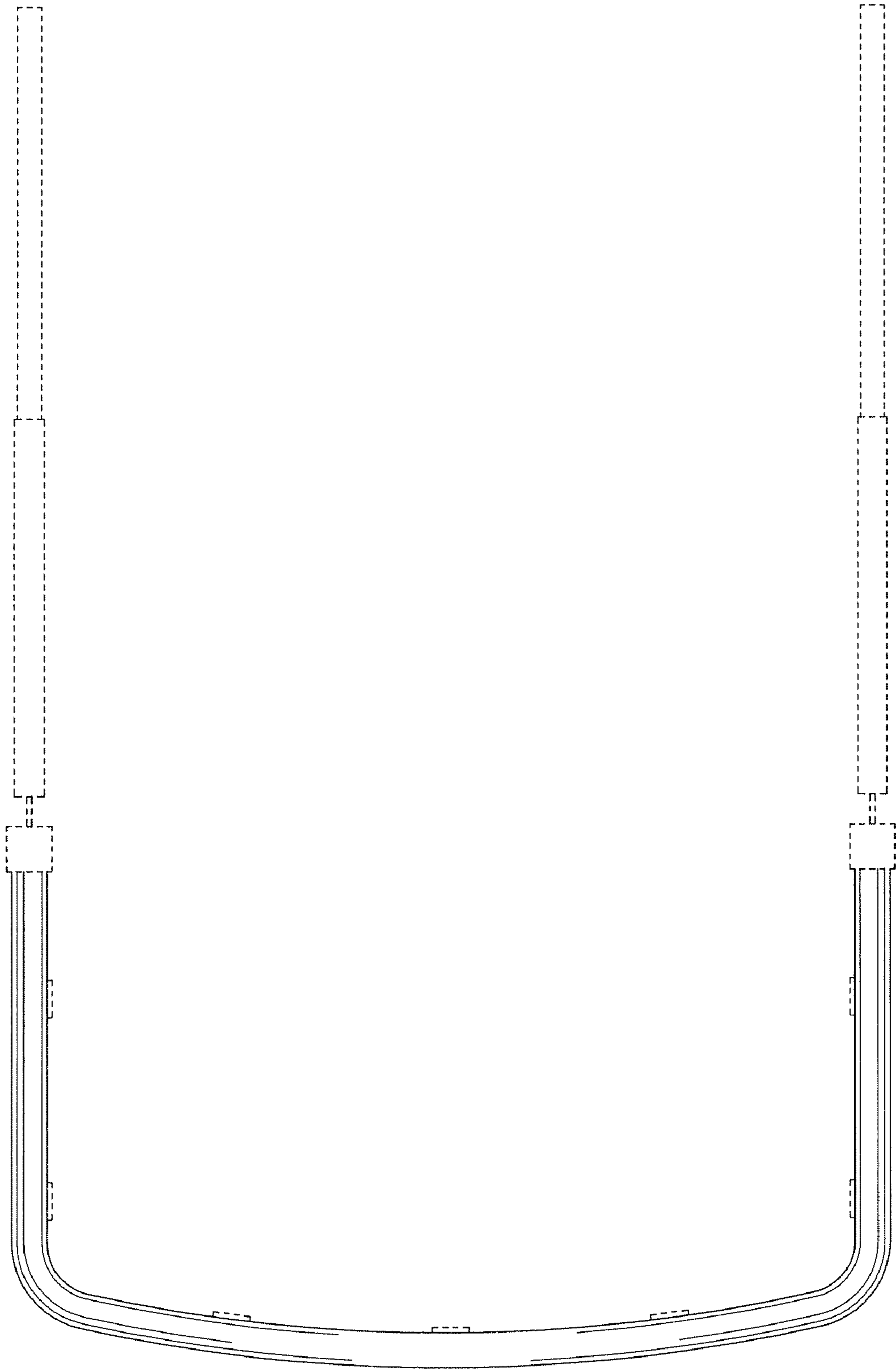


FIG. 6

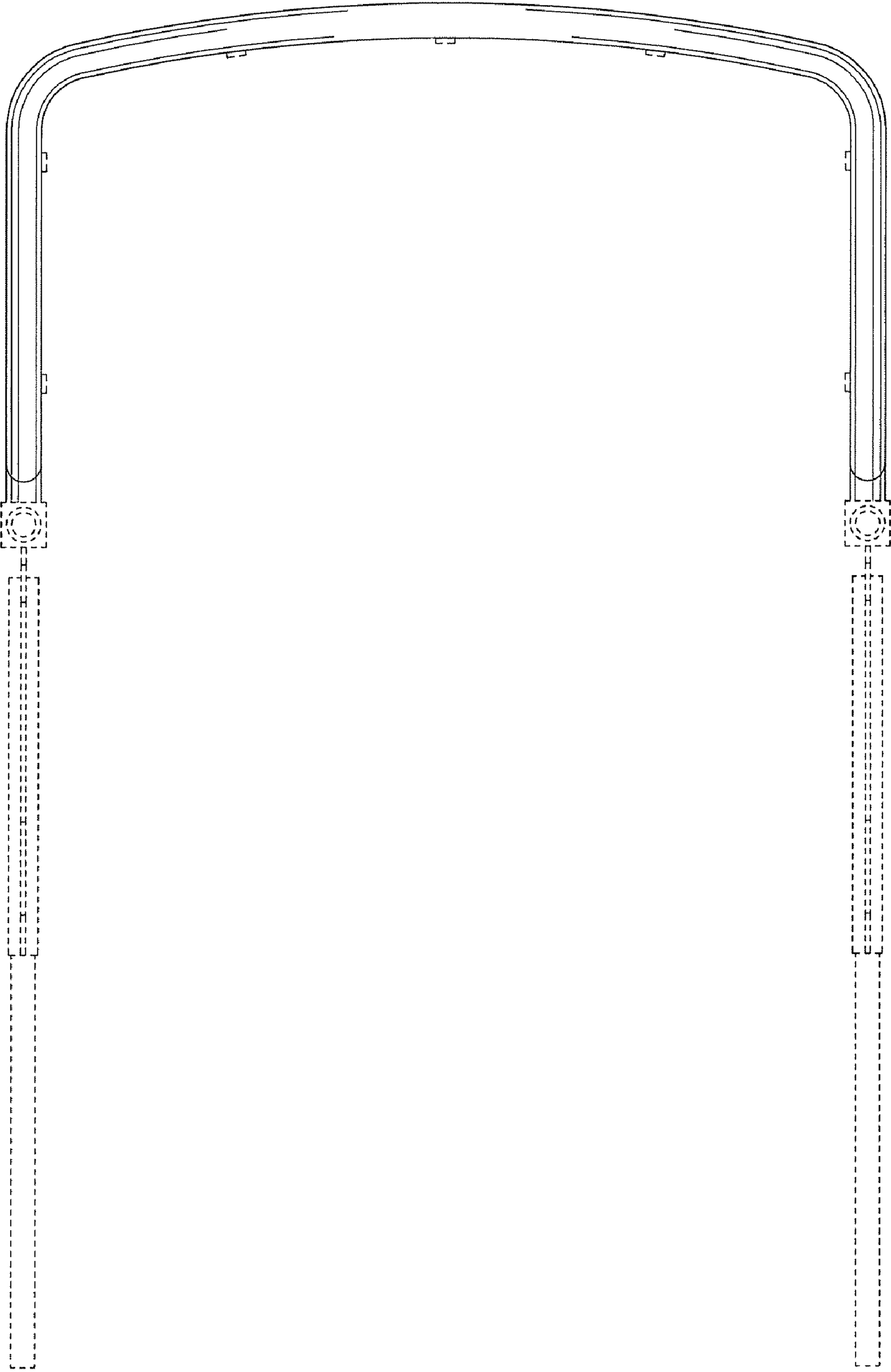


FIG. 7