



US00D589410S

(12) **United States Design Patent**
Ramm et al.

(10) **Patent No.:** **US D589,410 S**
(45) **Date of Patent:** **** Mar. 31, 2009**

(54) **KNEELING WALKER**

(75) Inventors: **Sharalyn S. Ramm**, Edmonds, WA
(US); **Anton Donald Ptacek**, Edmonds,
WA (US)

(73) Assignee: **Rammtlc, LLC**, Lynnwood, WA (US)

(**) Term: **14 Years**

(21) Appl. No.: **29/283,351**

(22) Filed: **Aug. 10, 2007**

(51) **LOC (9) Cl.** **12-12**

(52) **U.S. Cl.** **D12/130; D21/419**

(58) **Field of Classification Search** D12/128-133;
280/62, 647-650, 29, 200, 47.38, 35, 250.1,
280/259, 642, 658; 296/65.03, 65.04; 135/65-67,
135/74; D21/419, 421, 423, 743, 765, 477
See application file for complete search history.

(56) **References Cited**

U.S. PATENT DOCUMENTS

- 4,029,329 A * 6/1977 Chambers 280/87.021
- 4,867,188 A * 9/1989 Reid 135/67
- 5,158,313 A * 10/1992 Becker 280/87.021

- D363,904 S * 11/1995 Stone D12/130
- 6,848,696 B2 * 2/2005 Miller 280/87.021
- D517,455 S * 3/2006 Allen et al. D12/130
- 7,287,767 B1 * 10/2007 Gomes et al. 280/87.021
- 7,311,319 B1 * 12/2007 Ortega 280/87.05
- D566,199 S * 4/2008 Wiebenga et al. D21/419

* cited by examiner

Primary Examiner—Charles A Rademaker

Assistant Examiner—Charles D Hanson

(74) *Attorney, Agent, or Firm*—Axios Law Group; Adam L.
K. Philipp

(57) **CLAIM**

The ornamental design for a kneeling walker, as shown and described.

DESCRIPTION

FIG. 1 is a perspective view of the kneeling walker showing my new design;

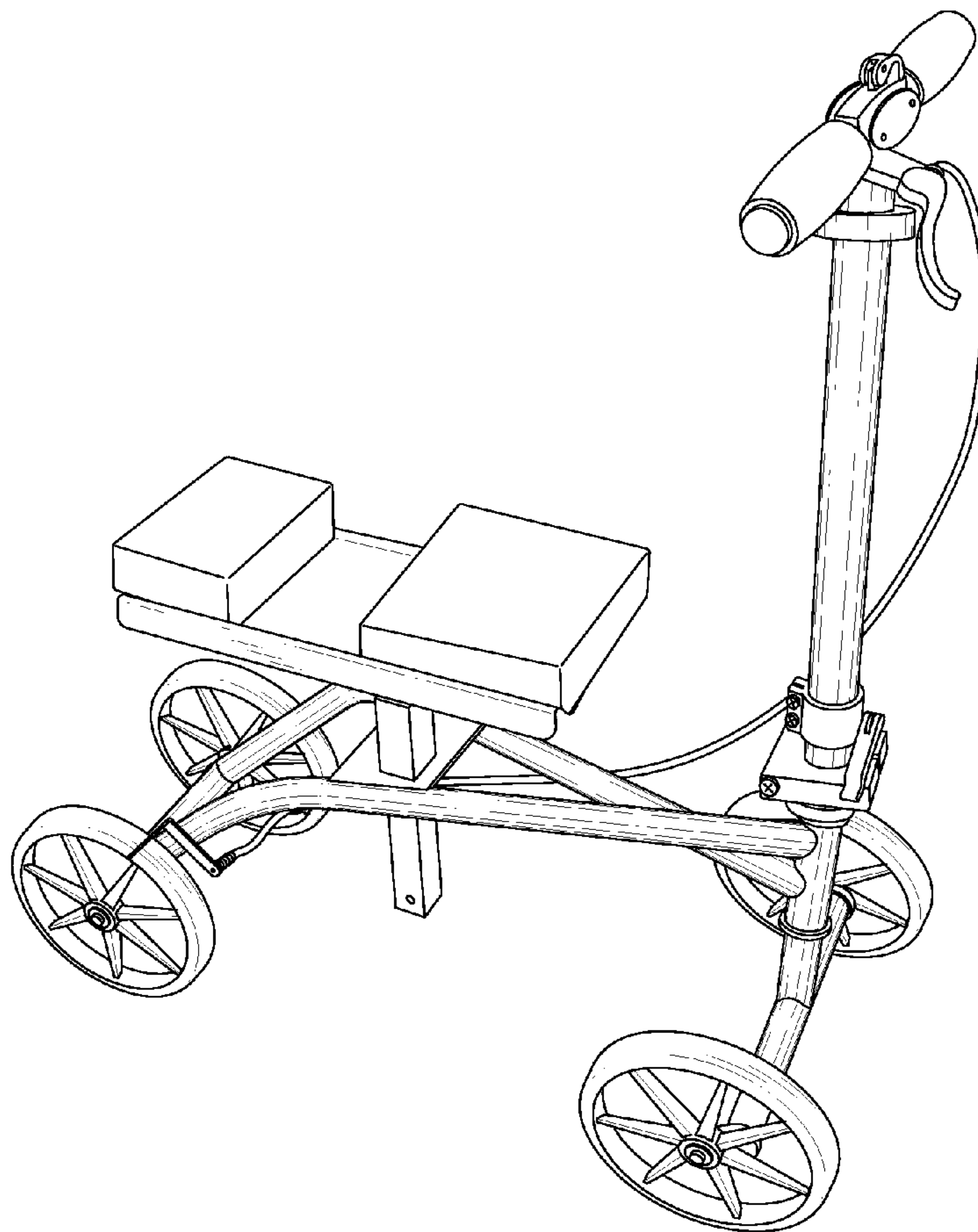
FIG. 2 is a right side view thereof.

FIG. 3 is a front view thereof.

FIG. 4 is a back view thereof; and,

FIG. 5 is a top view thereof.

1 Claim, 4 Drawing Sheets



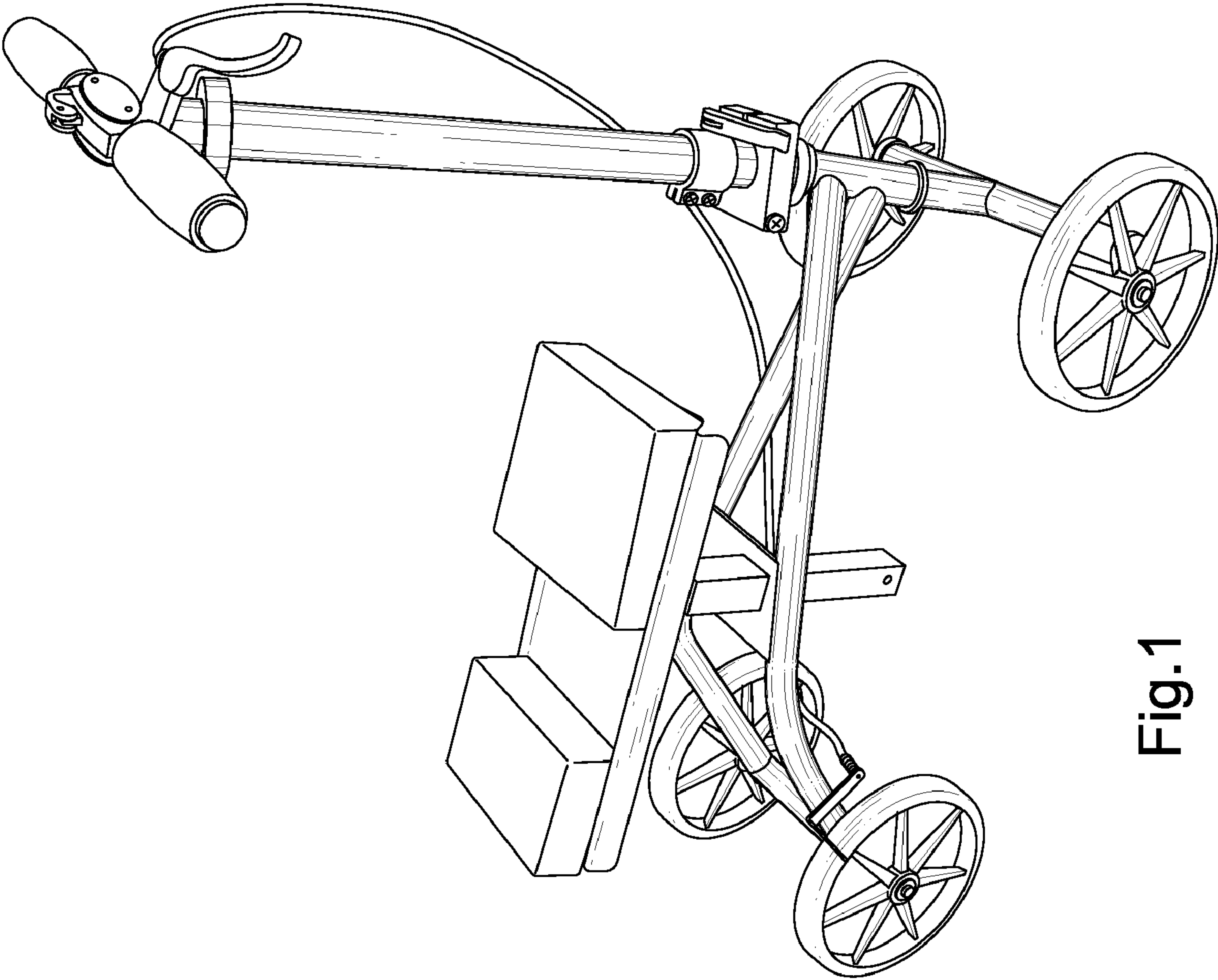


Fig.1

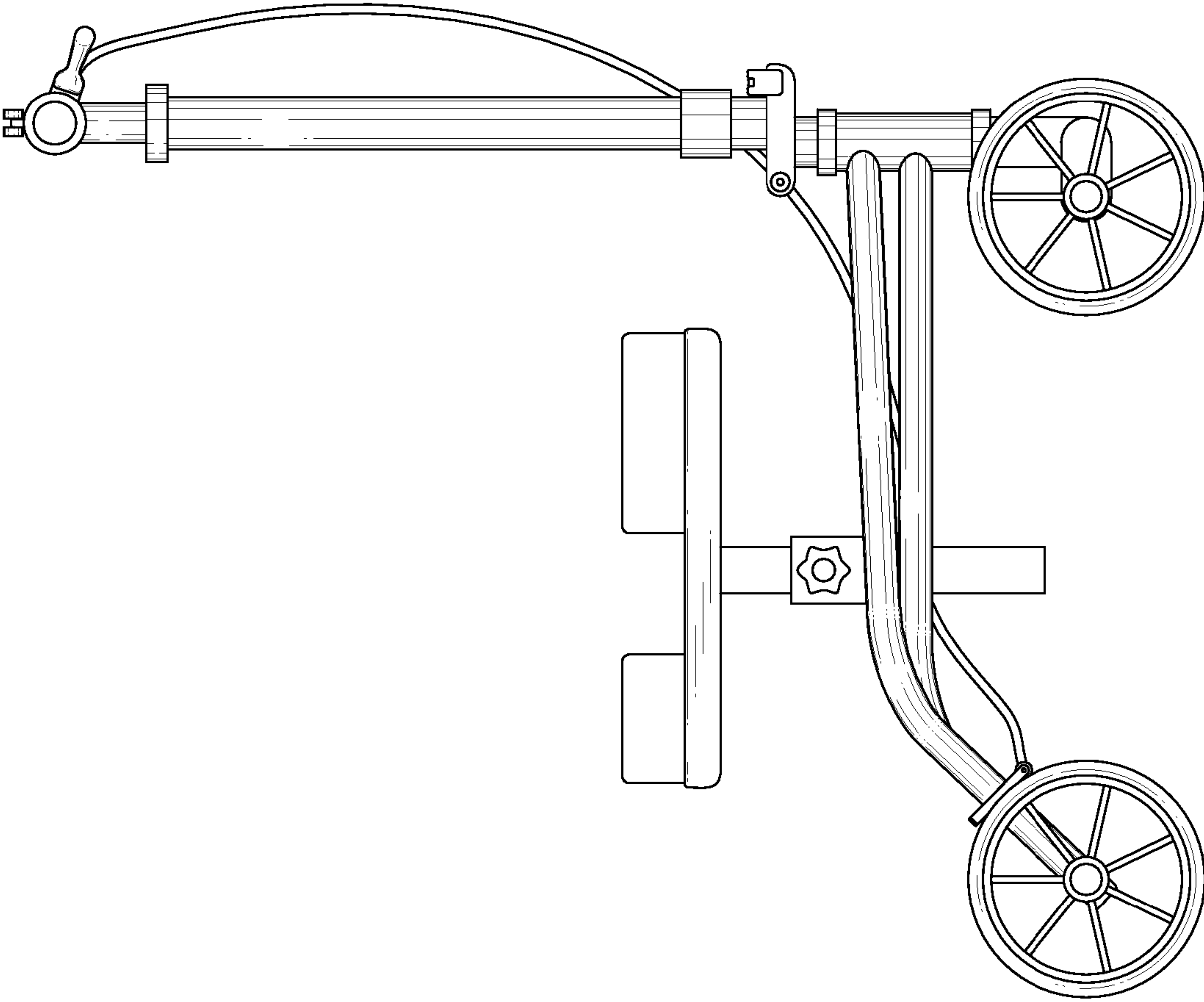


Fig.2

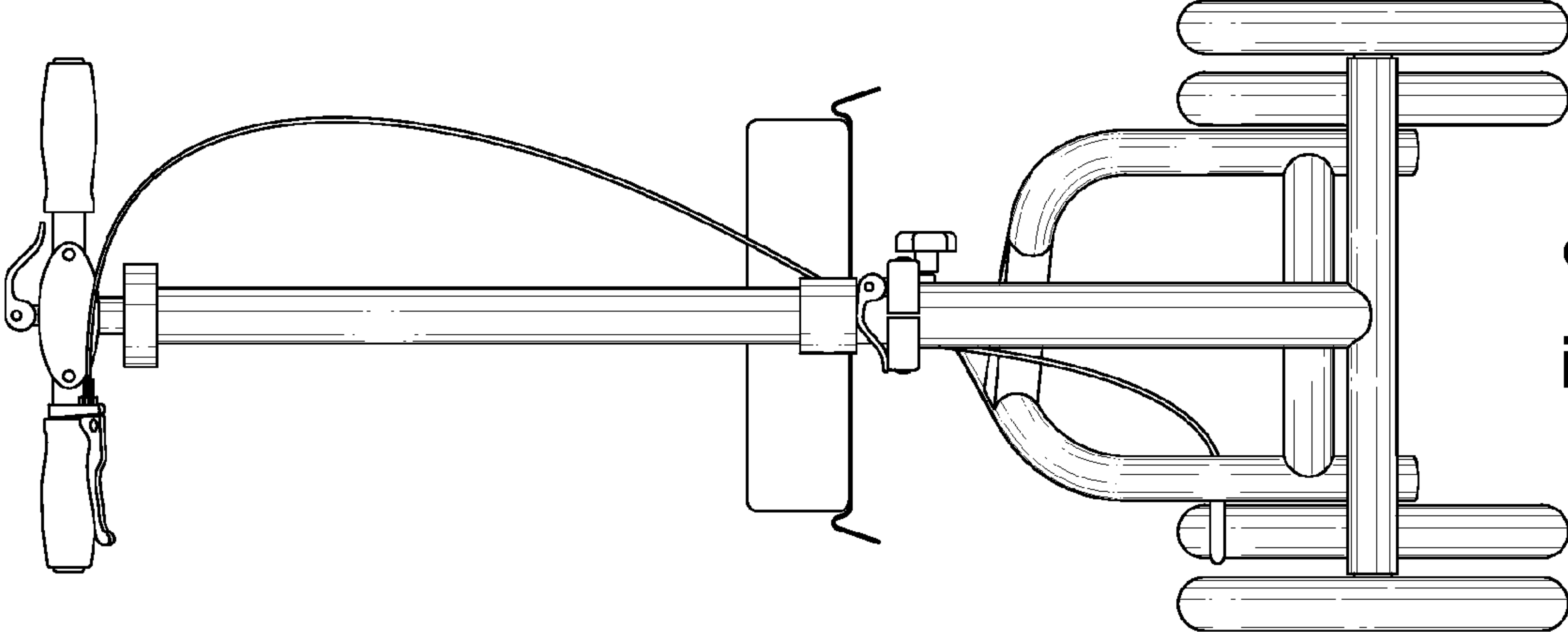


Fig.3

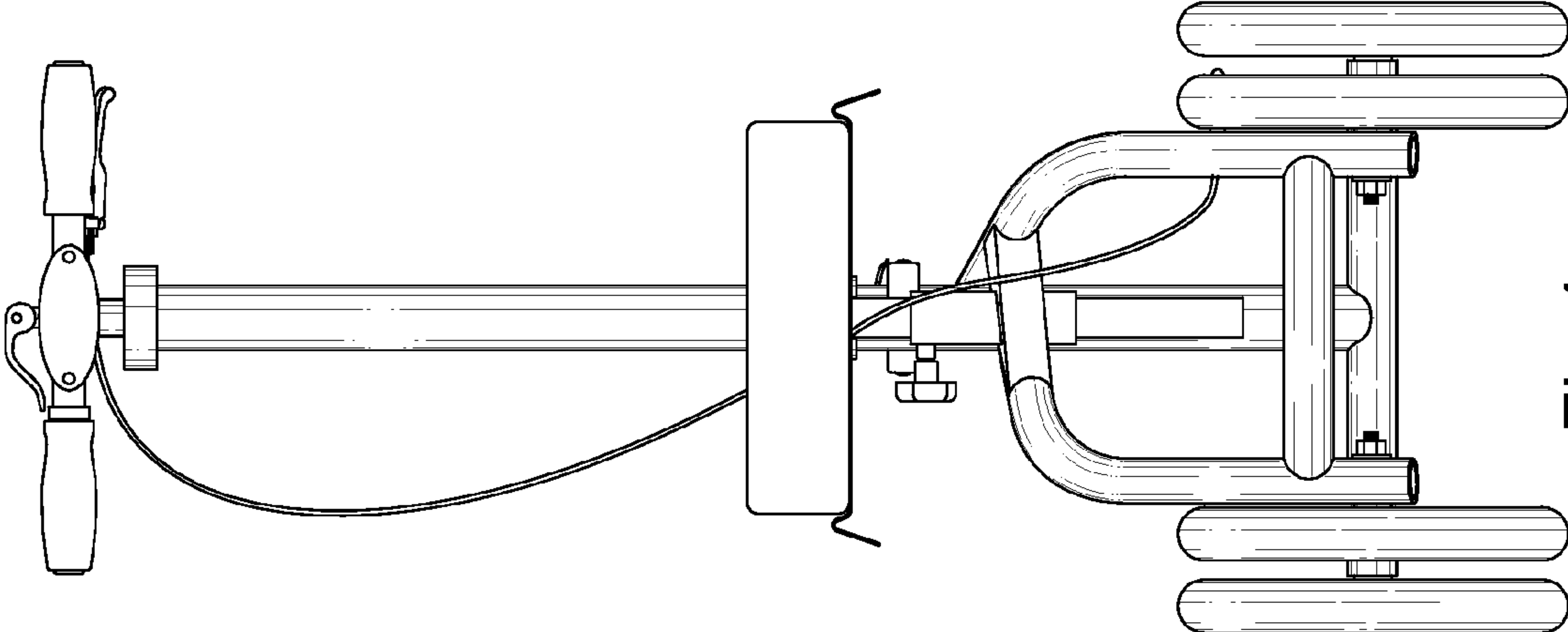


Fig.4

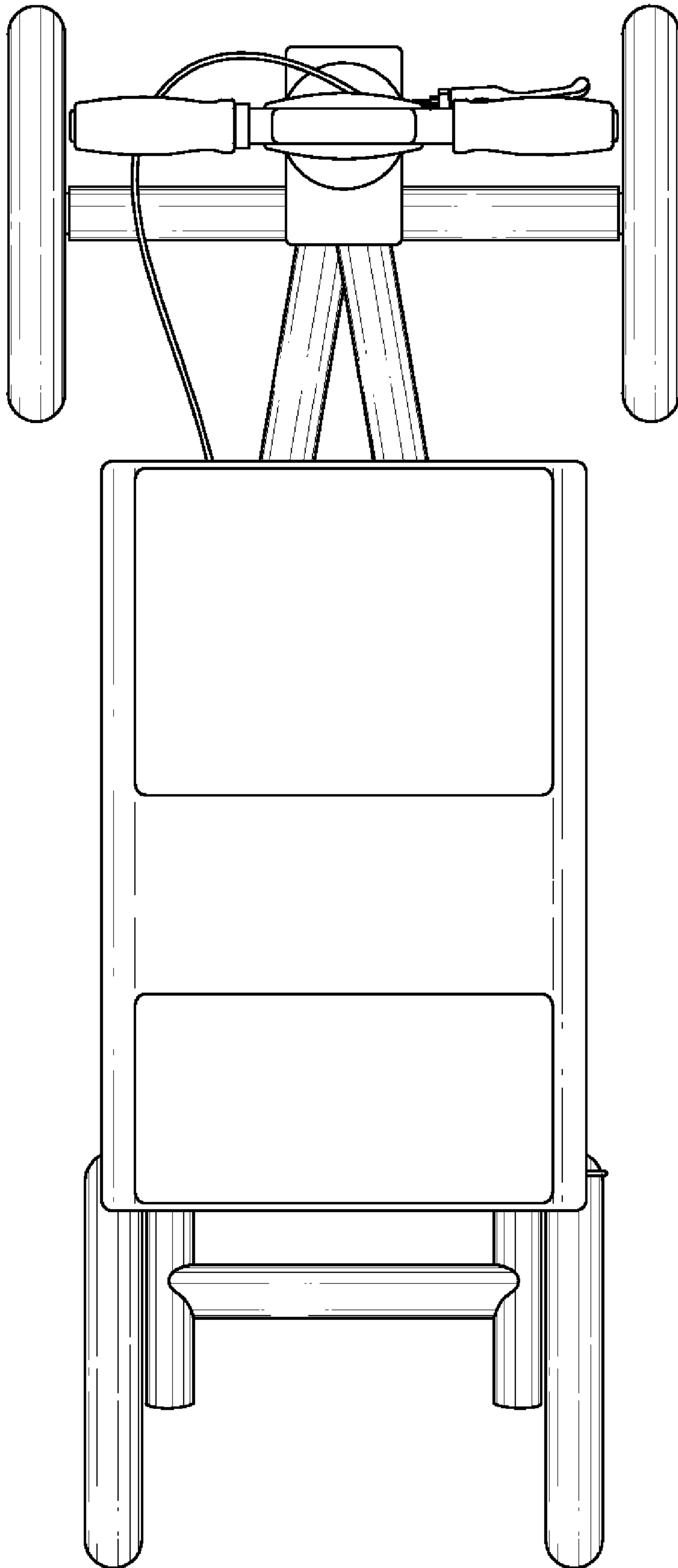


Fig. 5