



US00D589406S

(12) **United States Design Patent**  
**Kusamoto et al.**

(10) **Patent No.:** **US D589,406 S**  
(45) **Date of Patent:** **\*\* Mar. 31, 2009**

(54) **MOTOR VEHICLE AND/OR TOY REPLICA THEREOF**

(75) Inventors: **Yohei Kusamoto**, Yokosuka (JP); **Jiro Okimoto**, Yokosuka (JP)

(73) Assignee: **Toyota Jidosha Kabushiki Kaisha** (JP)

(\*\*) Term: **14 Years**

(21) Appl. No.: **29/322,055**

(22) Filed: **Jul. 29, 2008**

(51) **LOC (9) Cl.** ..... **12-08**

(52) **U.S. Cl.** ..... **D12/92**

(58) **Field of Classification Search** ..... D12/86,  
D12/90-92; 296/181.1, 181.5  
See application file for complete search history.

(56) **References Cited**

**U.S. PATENT DOCUMENTS**

- D533,810 S \* 12/2006 Metsugi et al. .... D12/92
- D545,723 S \* 7/2007 Kato et al. .... D12/92
- D563,836 S \* 3/2008 Okue et al. .... D12/92

**OTHER PUBLICATIONS**

Volks Wagen, VW Jetta, CD-ROM of Frankfurt Motor Show, Sep. 1, 2007, Frankfurt Motor Show.

Toyota, Vitz, Catalogue of Vitz, Aug. 14, 2007, Toyota.  
BMW, BMW 3 Series, Catalogue of BMW 3 Series, Nov. 4, 2004, BMW AG.

\* cited by examiner

*Primary Examiner*—Melody N Brown

(74) *Attorney, Agent, or Firm*—SAIDMAN DesignLaw Group

(57) **CLAIM**

The ornamental design for a motor vehicle and/or toy replica thereof, as shown and described.

**DESCRIPTION**

FIG. 1 is a front perspective view of a motor vehicle and/or toy replica thereof showing our new design;

FIG. 2 is a rear perspective view thereof;

FIG. 3 is a right-side view thereof; the left-side view being a mirror image.

FIG. 4 is a top view thereof;

FIG. 5 is a front view thereof; and,

FIG. 6 is a rear view thereof.

**1 Claim, 2 Drawing Sheets**

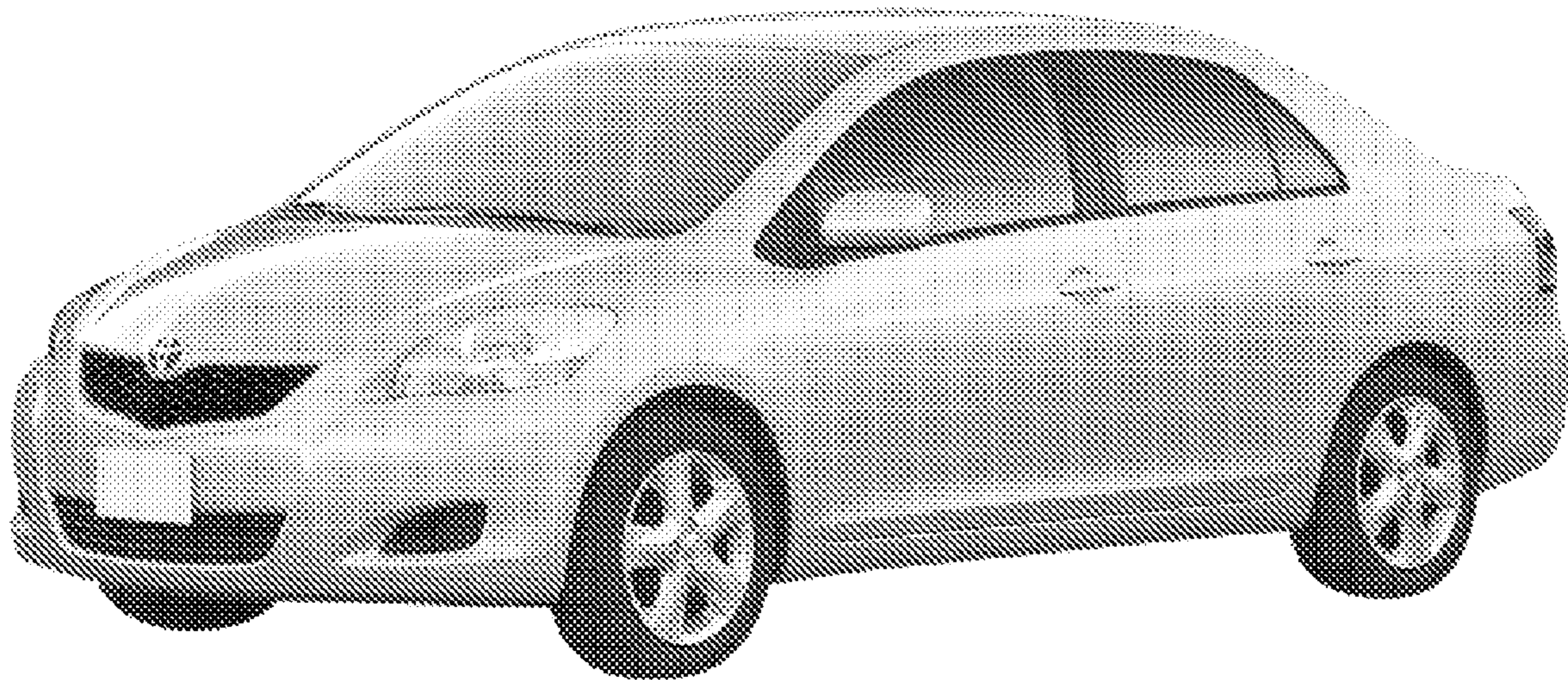




FIG. 1

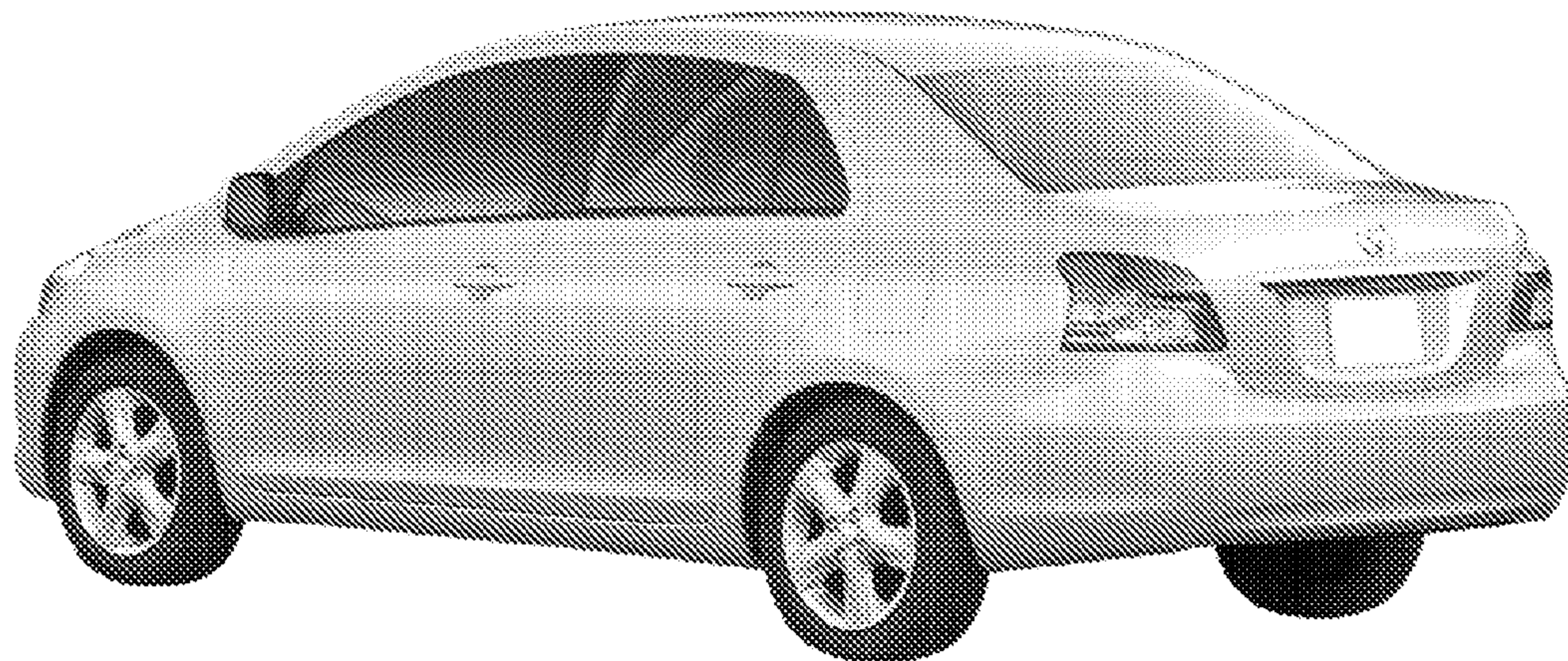


FIG. 2

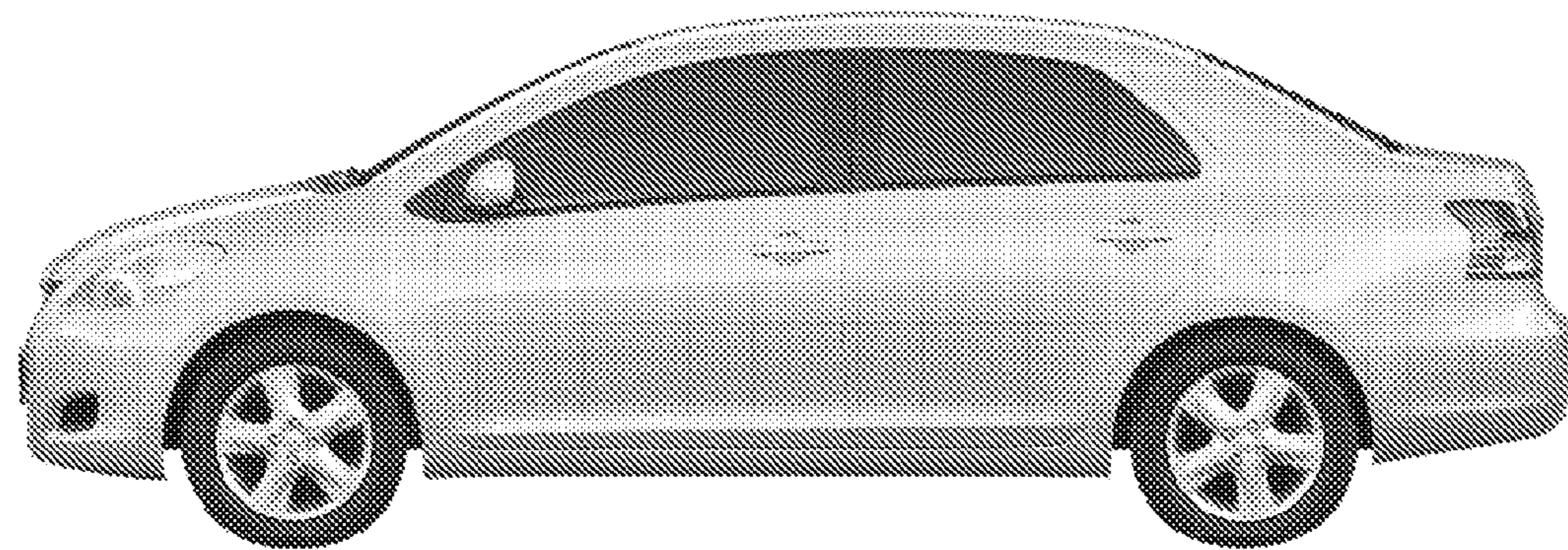


FIG. 3

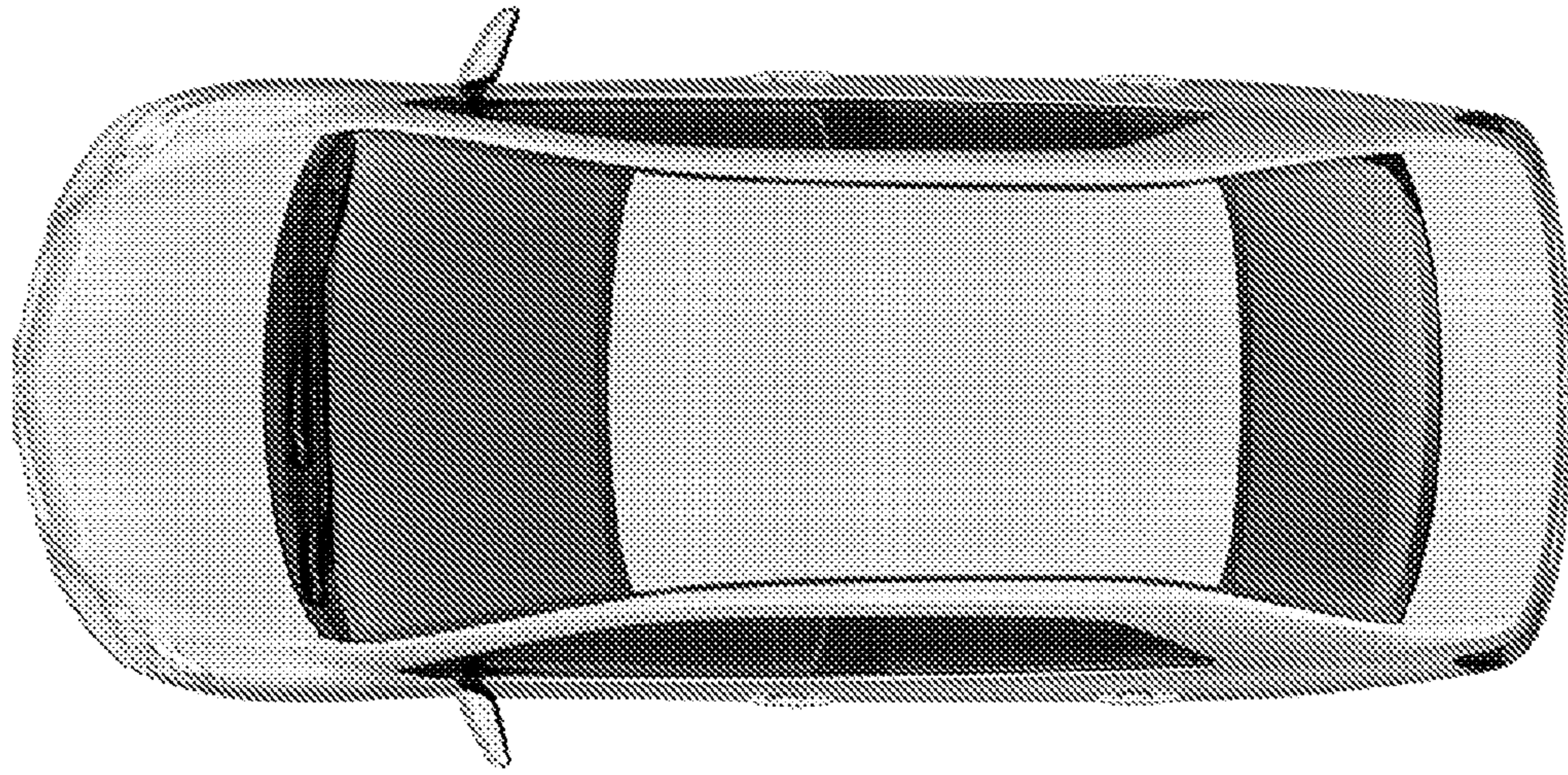


FIG. 4



FIG. 5

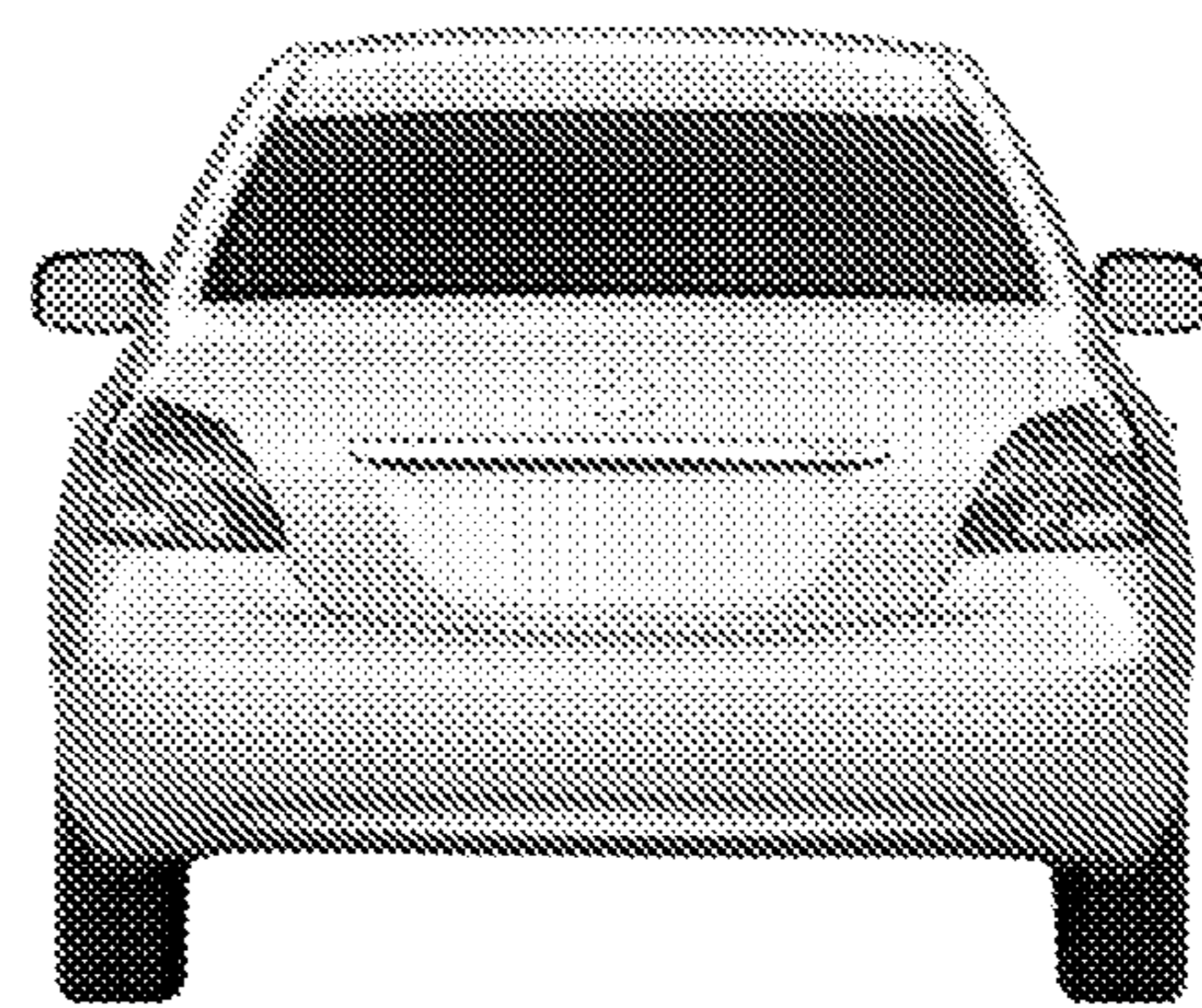


FIG. 6