

US00D589402S

(12) **United States Design Patent**
Fujiyoshi et al.

(10) **Patent No.:** **US D589,402 S**
(45) **Date of Patent:** **** Mar. 31, 2009**

(54) **MOTOR VEHICLE AND/OR TOY REPLICA THEREOF**

D570,736 S * 6/2008 Hayashi et al. D12/91

(75) Inventors: **Shoichi Fujiyoshi**, Toyota (JP); **Yahiko Kumai**, Toyota (JP); **Kenichi Inukai**, Toyota (JP); **Yutaka Kubota**, Toyota (JP); **Kentaro Asakura**, Kariya (JP); **Nobuya Tanai**, Kariya (JP); **Tetsu Endoh**, Kariya (JP)

OTHER PUBLICATIONS
Nissan, Grand Livina, Catalogue of Livina, Apr. 2007, Nissan Indonesia.
Toyota, Avanza Catalogue of Avanza, Jul. 2006, Toyota.

* cited by examiner

(73) Assignee: **Toyota Jidosha Kabushiki Kaisha** (JP)

Primary Examiner—Melody N Brown
(74) *Attorney, Agent, or Firm*—SAIDMAN DesignLaw Group

(**) Term: **14 Years**

(57) **CLAIM**

(21) Appl. No.: **29/322,048**

The ornamental design for a motor vehicle and/or toy replica thereof, as shown and described.

(22) Filed: **Jul. 29, 2008**

(51) **LOC (9) Cl.** **12-08**

(52) **U.S. Cl.** **D12/91**

(58) **Field of Classification Search** D12/86,
D12/90-92; 296/181.1, 181.5
See application file for complete search history.

DESCRIPTION

FIG. 1 is a front perspective view of a motor vehicle and/or toy replica thereof showing our new design;
FIG. 2 is a rear perspective view thereof;
FIG. 3 is a right-side view thereof;
FIG. 4 is a top view thereof;
FIG. 5 is a front view thereof; and,
FIG. 6 is a rear view thereof.

(56) **References Cited**

U.S. PATENT DOCUMENTS

D525,564 S * 7/2006 Akamine et al. D12/91
D566,006 S * 4/2008 Cartabiano et al. D12/91

1 Claim, 2 Drawing Sheets





FIG. 1



FIG. 2

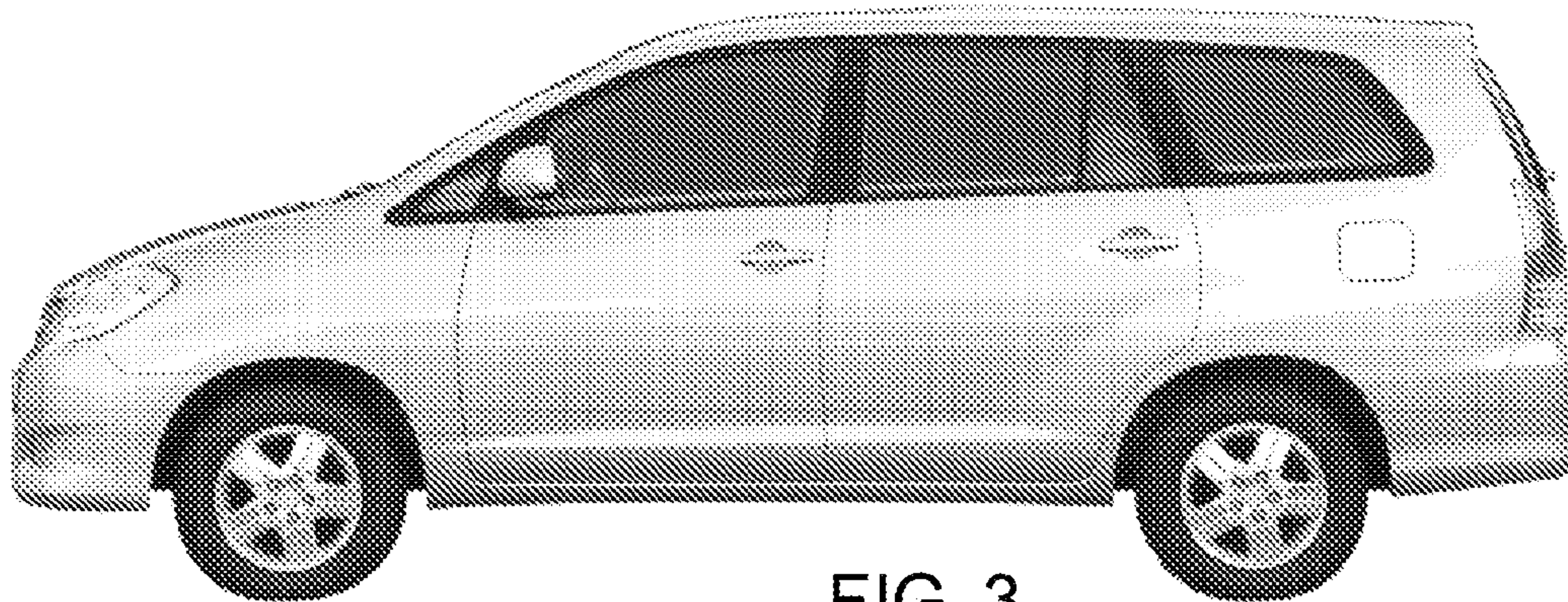


FIG. 3

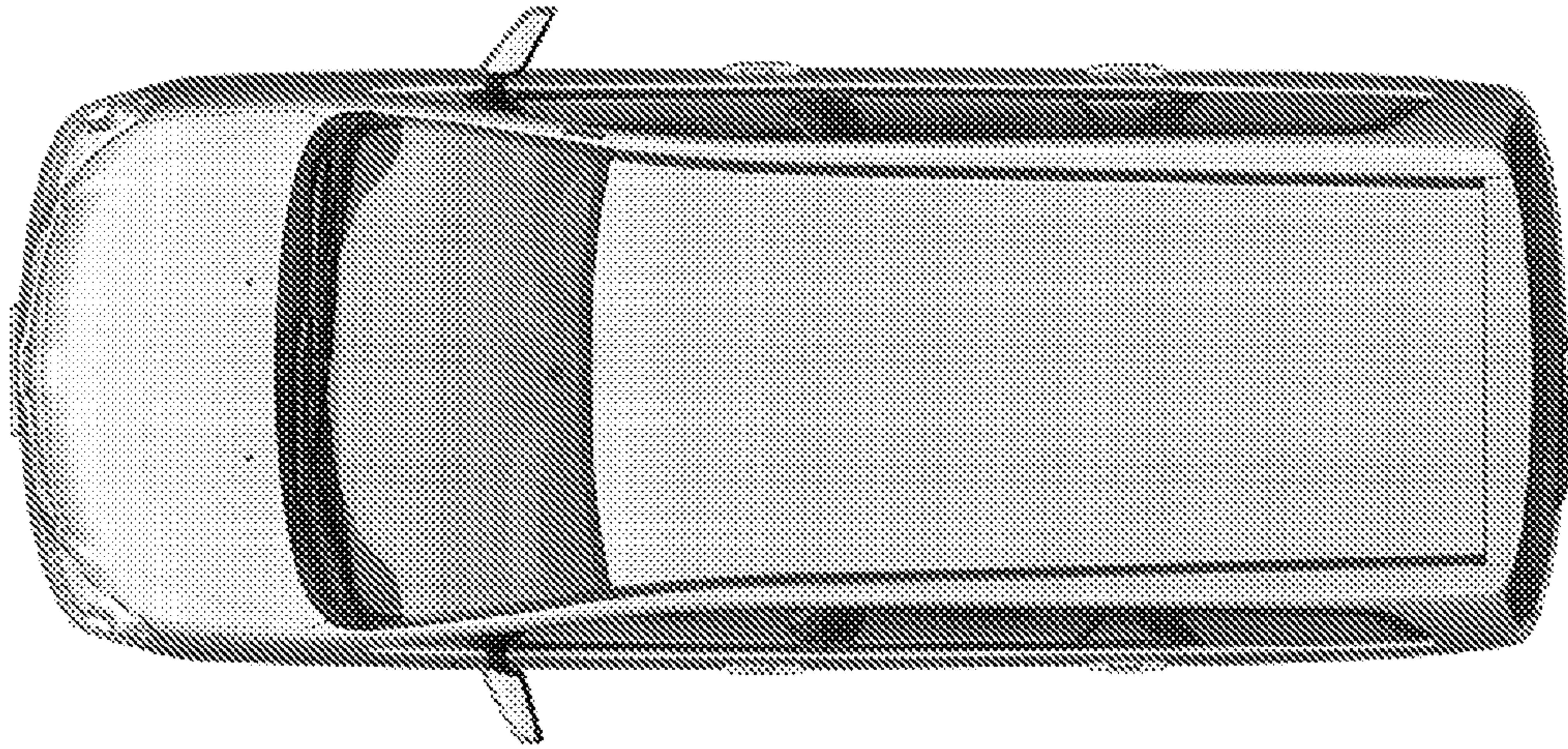


FIG. 4



FIG. 5

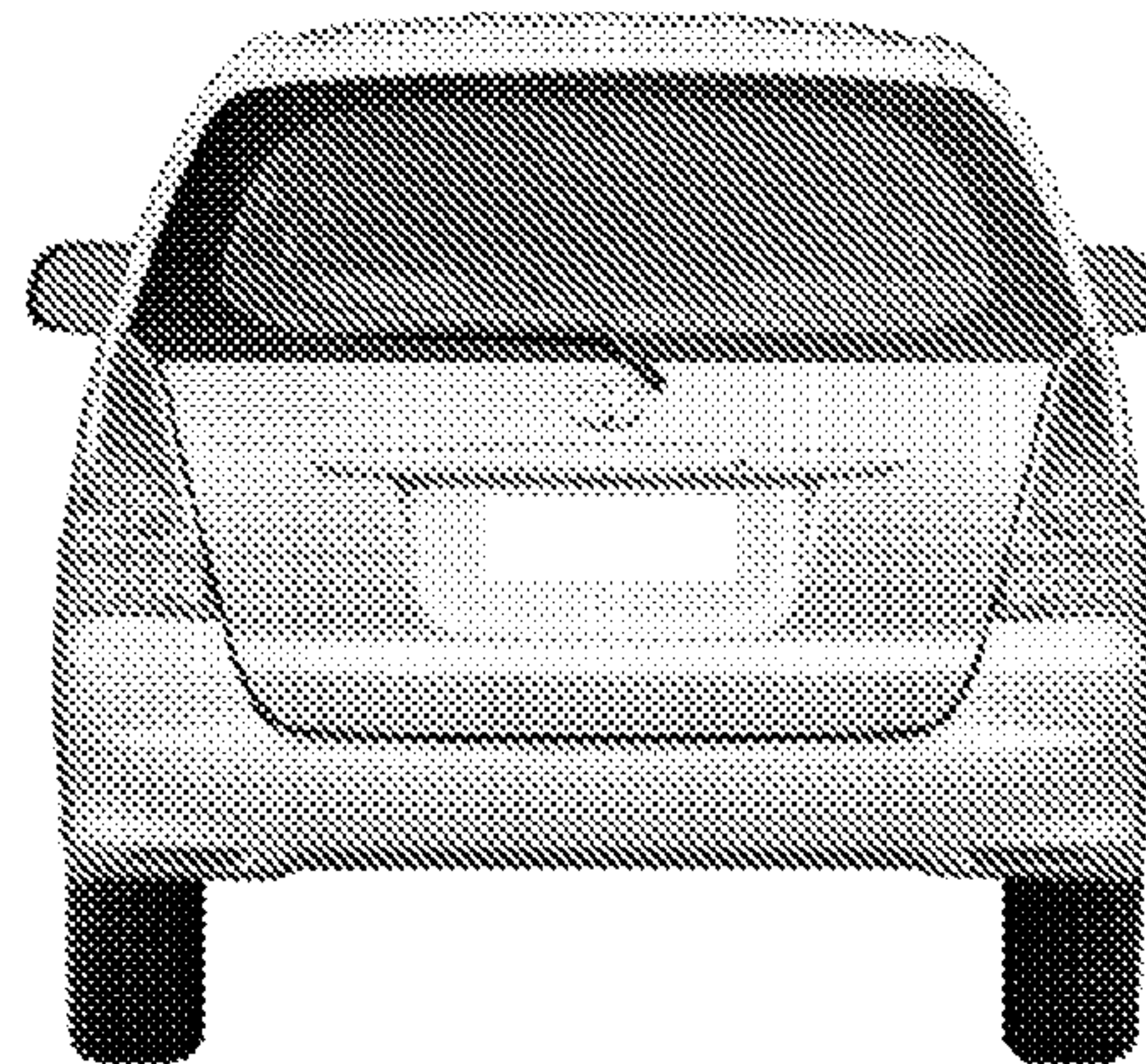


FIG. 6