



US00D589399S

(12) **United States Design Patent**
Tombazis

(10) **Patent No.:** **US D589,399 S**
(45) **Date of Patent:** **** Mar. 31, 2009**

(54) **CAR INCLUDING TOY-CAR, MOTOR-CAR,
REPLICA-CAR AND SCALE-MODEL-CAR**

D552,510 S * 10/2007 Costa D12/88
D577,314 S * 9/2008 Taylor et al. D12/88

(75) Inventor: **Nikolaos Tombazis**, Castelnuovo
Rangone (IT)

* cited by examiner

(73) Assignee: **Ferrari S.p.A.**, Modena (IT)

Primary Examiner—Melody N Brown
(74) *Attorney, Agent, or Firm*—Cowan, Liebowitz & Latman,
PC

(**) Term: **14 Years**

(21) Appl. No.: **29/320,085**

(22) Filed: **Jun. 19, 2008**

(57) **CLAIM**

The ornamental design for a car including toy-car, motor-car,
replica-car and scale-model-car, as shown and described.

(30) **Foreign Application Priority Data**

DESCRIPTION

Dec. 21, 2007 (EM) 000849153
Dec. 21, 2007 (EM) 000849161

FIG. 1 is a front view of the car including toy-car, motor-car,
replica-car and scale-model-car showing my design thereof;
FIG. 2 is a rear view thereof;
FIG. 3 is a top view thereof;
FIG. 4 is a bottom view thereof;
FIG. 5 is a left side view thereof;
FIG. 6 is a right side view thereof;
FIG. 7 is a front perspective view thereof; and,
FIG. 8 is a rear perspective view thereof.

(51) **LOC (9) Cl.** **12-08**

(52) **U.S. Cl.** **D12/88**

(58) **Field of Classification Search** D12/86,
D12/90-92; D21/424, 433, 548-550; 296/181.1,
296/181.5

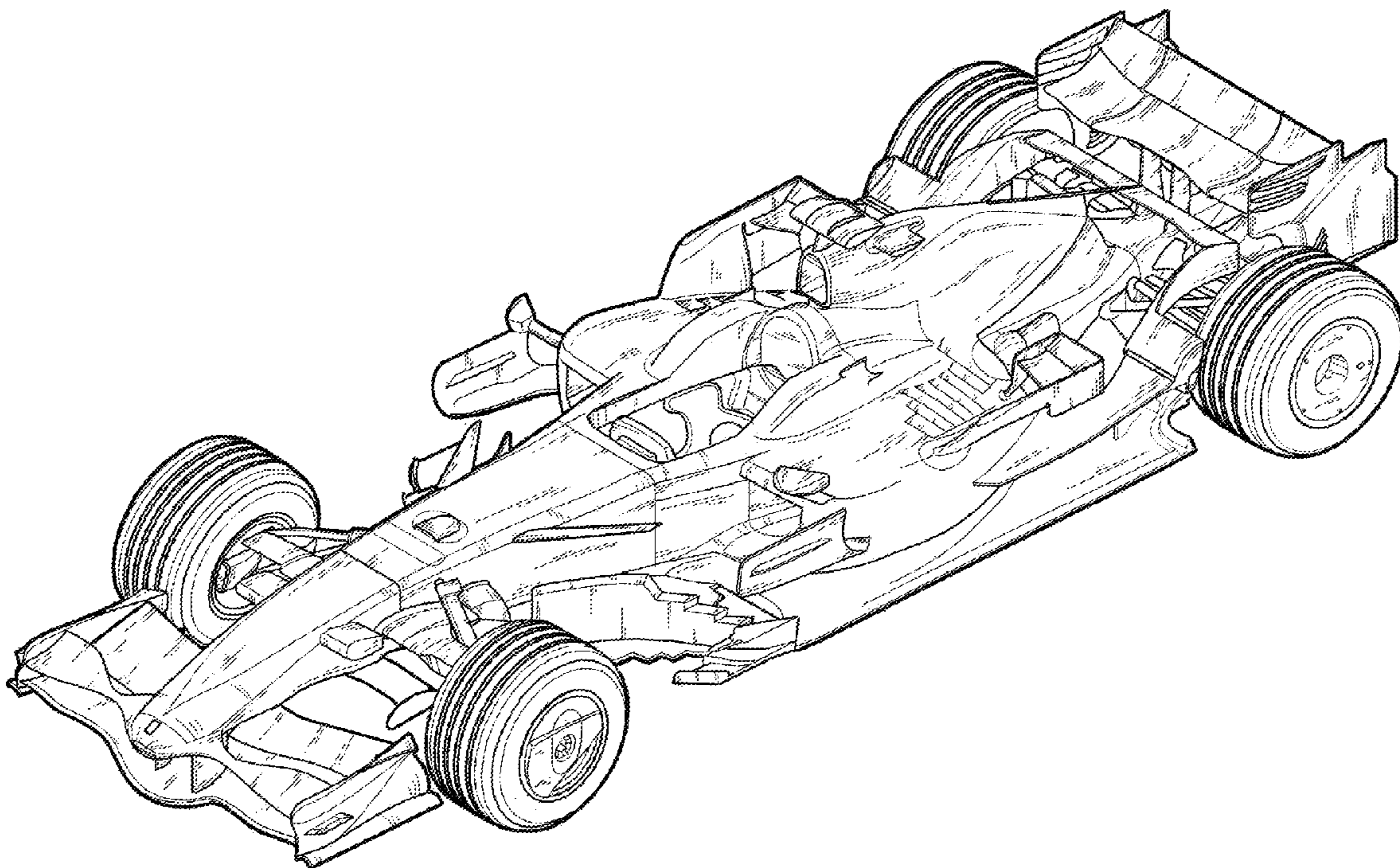
See application file for complete search history.

(56) **References Cited**

U.S. PATENT DOCUMENTS

D528,041 S * 9/2006 Costa D12/88

1 Claim, 6 Drawing Sheets



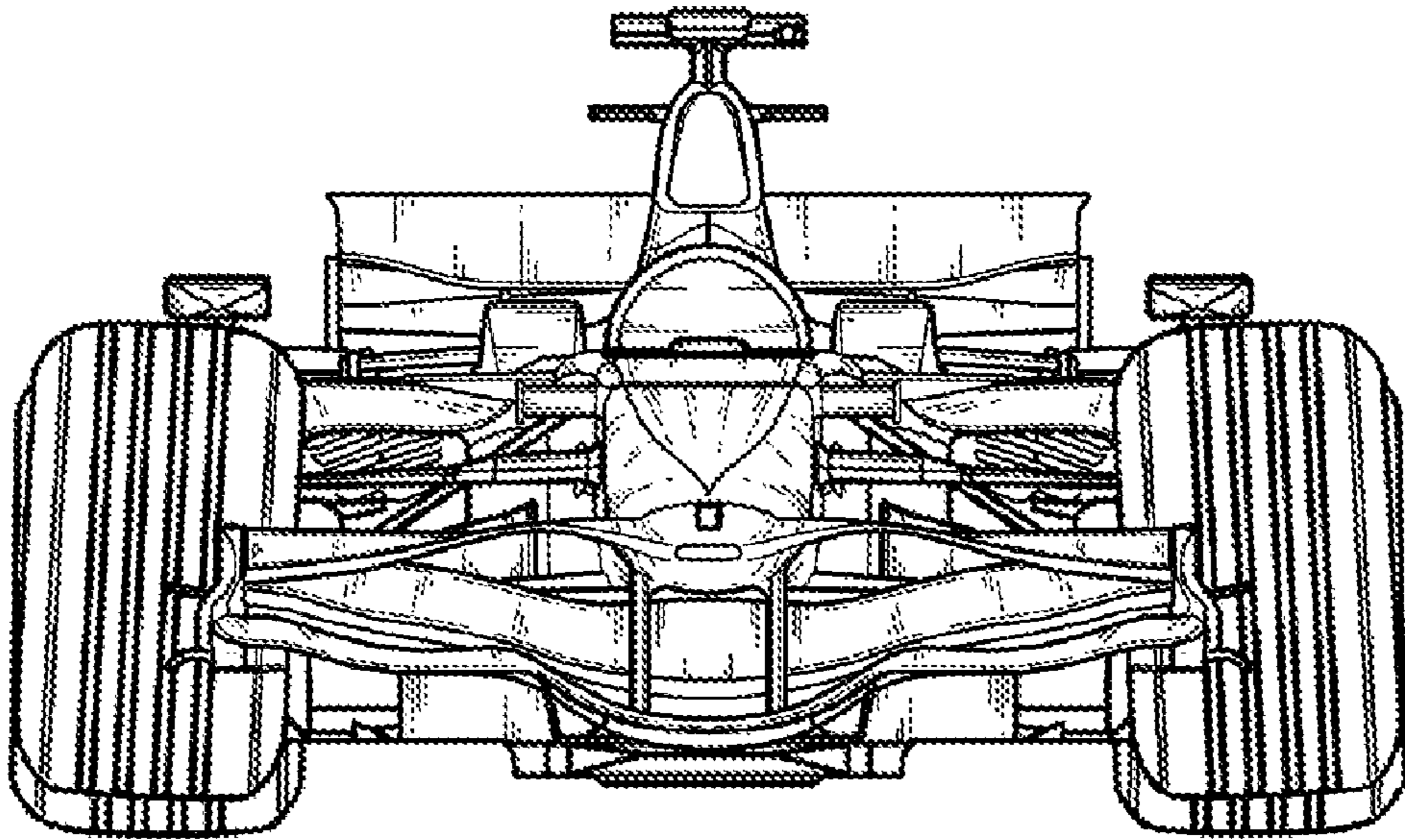


FIG. 1

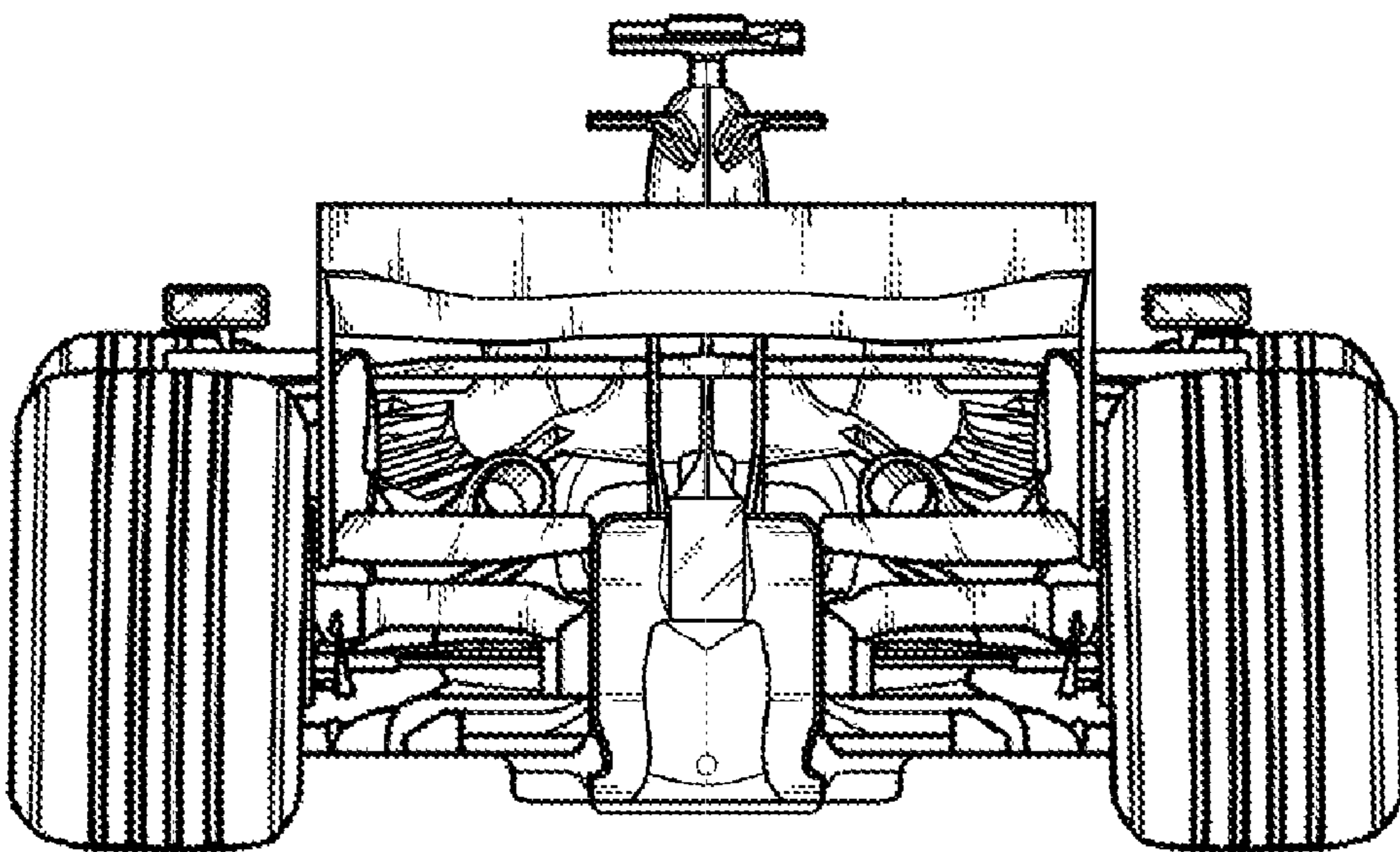


FIG. 2

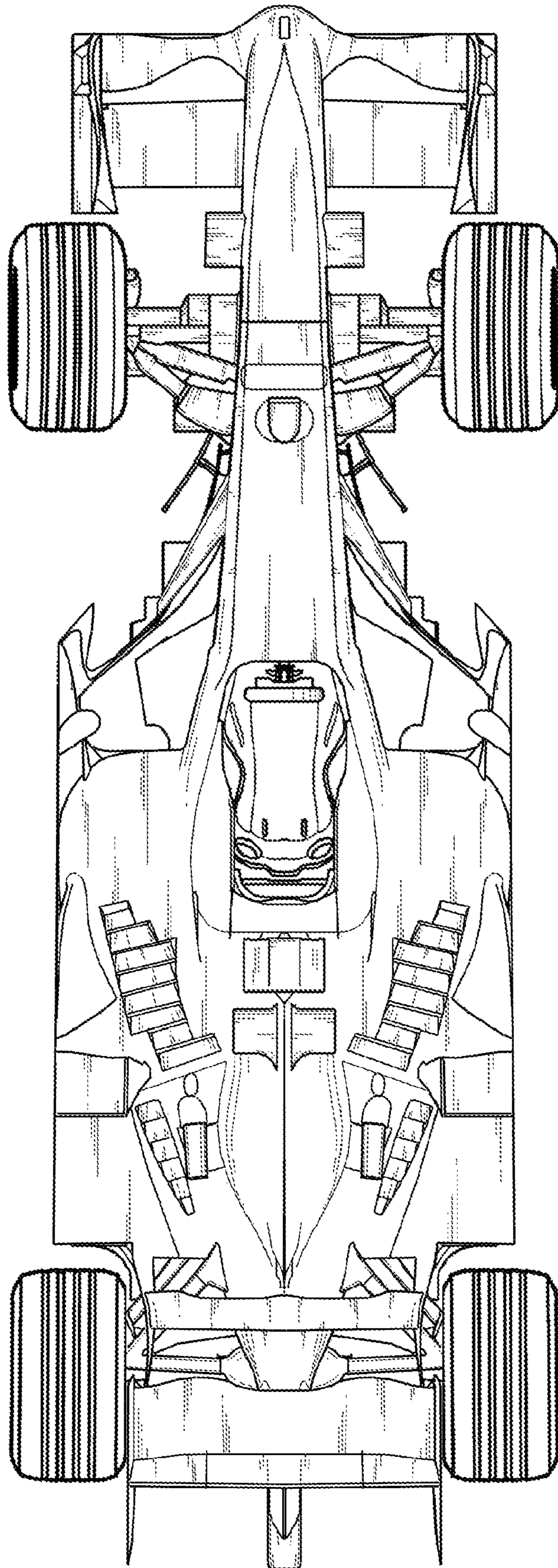


FIG.3

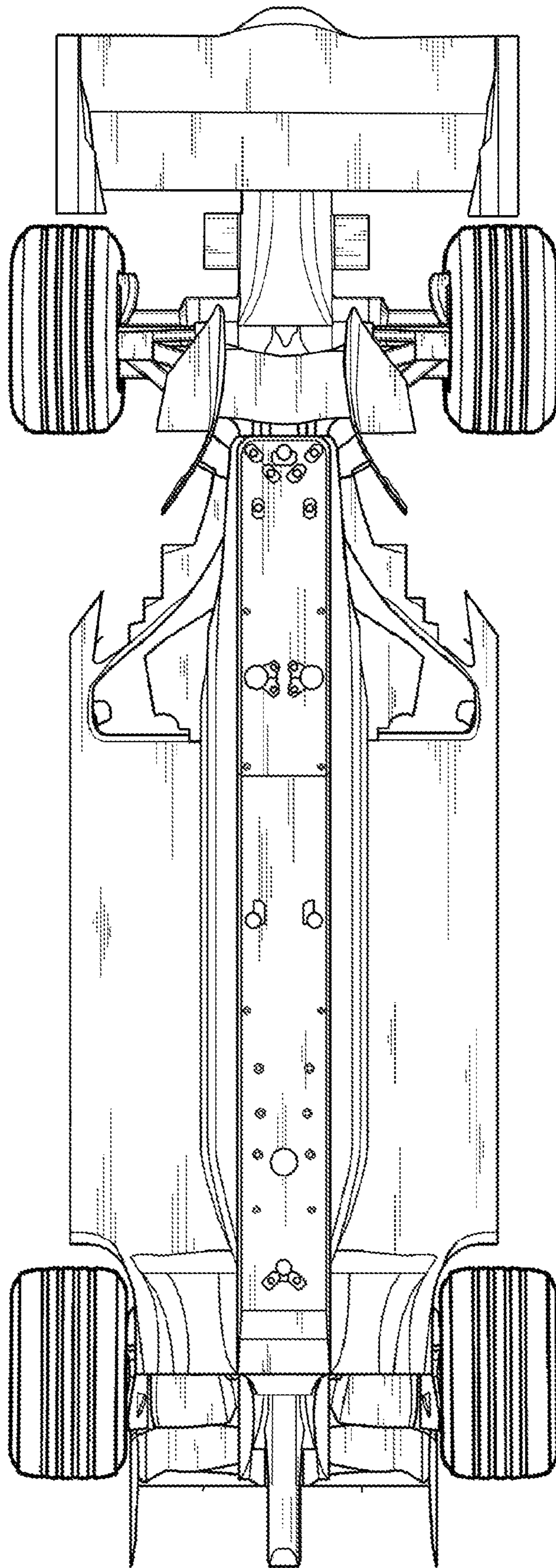


FIG.4

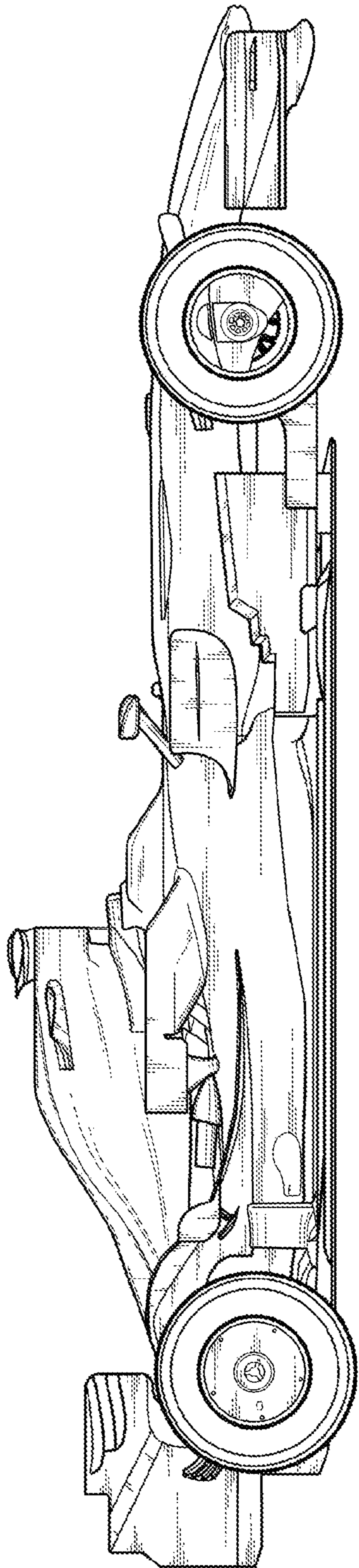


FIG.5

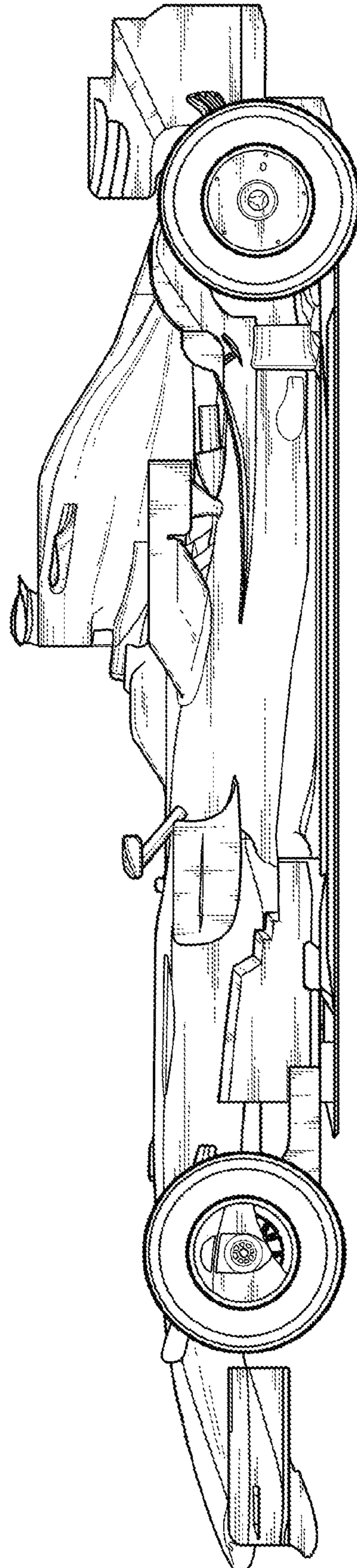


FIG.6

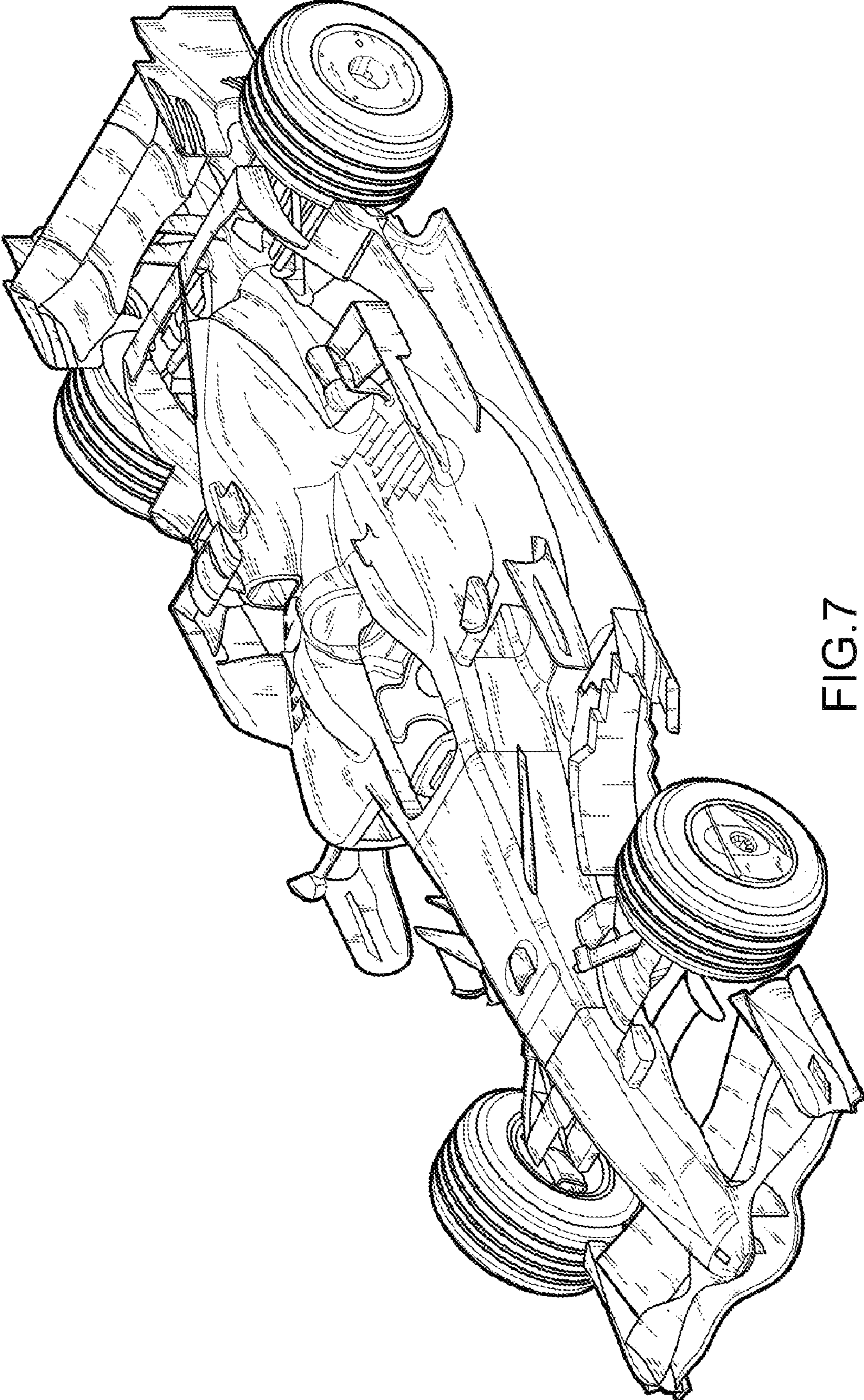


FIG.7

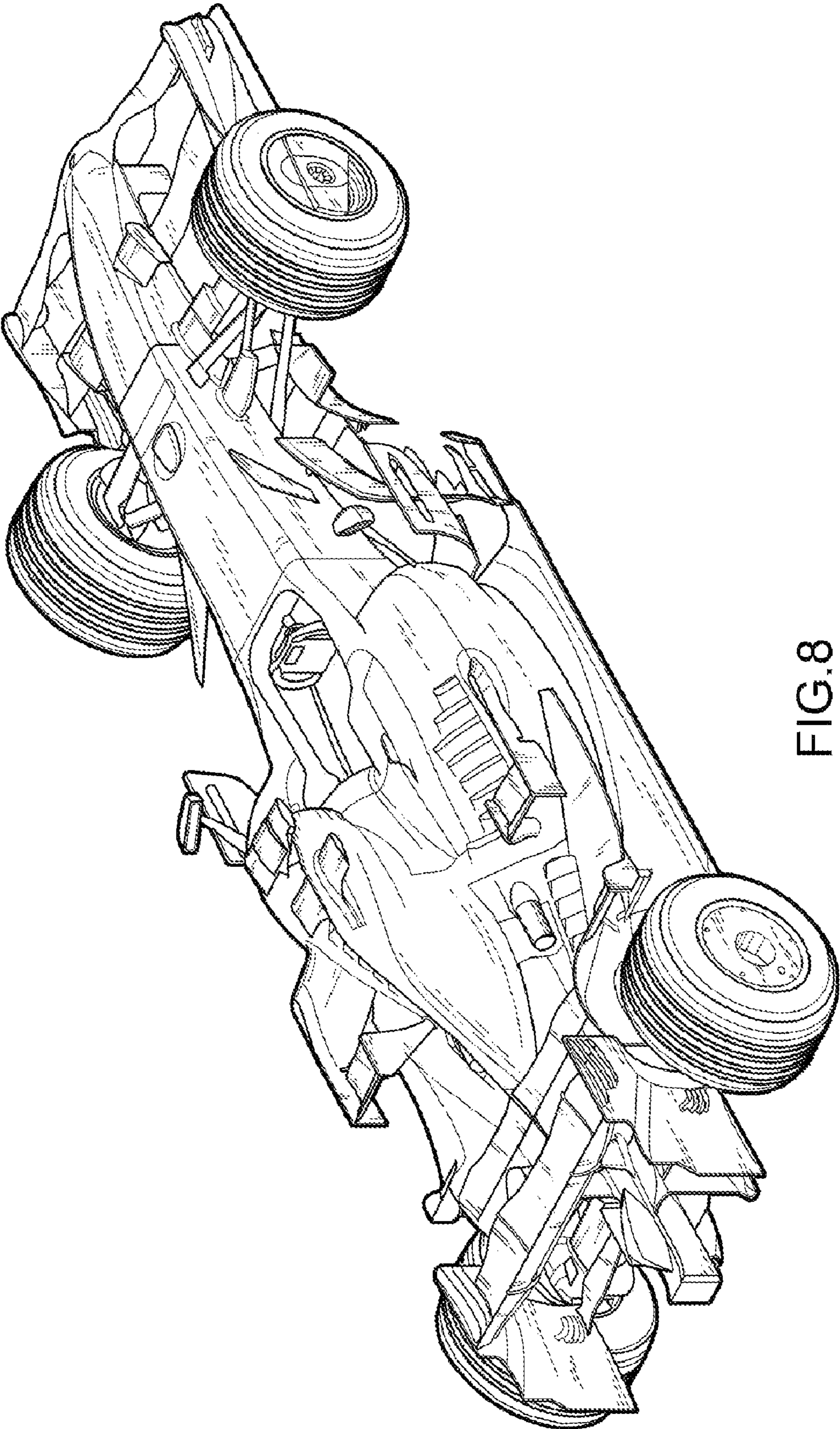


FIG.8