



US00D589398S

(12) **United States Design Patent**
Tuo

(10) **Patent No.:** **US D589,398 S**
(45) **Date of Patent:** **** Mar. 31, 2009**

- (54) **REAR BUMPER FOR A VEHICLE**
 - (75) Inventor: **Xinyong Tuo**, Suzhou (CN)
 - (73) Assignee: **Suzhou Eagle Electric Vehicle Manufacturing Co., Ltd.**, Suzhou (CN)
 - (**) Term: **14 Years**
 - (21) Appl. No.: **29/272,305**
 - (22) Filed: **Feb. 6, 2007**
 - (51) **LOC (9) Cl.** **12-02**
 - (52) **U.S. Cl.** **D12/16; D12/169**
 - (58) **Field of Classification Search** D12/16,
D12/173, 164, 196, 87, 86, 1, 433, 15, 107,
D12/82, 88, 89, 90, 91, 92, 93; D15/30;
D21/803; 180/233, 908; 280/DIG. 5, 183,
280/184, 185, 186, 28, 37.7
- See application file for complete search history.

- D464,001 S * 10/2002 Rondeau et al. D12/107
- D464,913 S * 10/2002 Cerny, Jr. et al. D12/86
- 6,547,304 B1 4/2003 Conner et al.
- D486,432 S 2/2004 Chan
- D497,872 S 11/2004 Bonner et al.
- D498,436 S * 11/2004 Bonner et al. D12/16
- D498,704 S 11/2004 Bonner et al.
- D502,899 S 3/2005 Mino et al.
- D514,981 S 2/2006 Andrews et al.
- D514,990 S 2/2006 Nagashima
- D517,448 S * 3/2006 Essig D12/16
- D523,382 S 6/2006 Truebsbach
- D534,106 S 12/2006 Matei
- D535,922 S 1/2007 Kulla
- D536,285 S 2/2007 Sycha
- D537,021 S 2/2007 Pfeiffer
- D539,711 S 4/2007 Fujimaki
- 2002/0167192 A1 * 11/2002 Tyrer et al. 296/100.11
- 2005/0224539 A1 * 10/2005 Hardy et al. 224/274

FOREIGN PATENT DOCUMENTS

WO WO 2005009791 A2 * 2/2005

* cited by examiner

Primary Examiner—T. Chase Nelson
Assistant Examiner—Ania K Dworzecka
(74) *Attorney, Agent, or Firm*—Oliff & Berridge, PLC

(56) **References Cited**
U.S. PATENT DOCUMENTS

- D188,533 S * 8/1960 Nimmo D12/16
- D245,242 S 8/1977 Stolley
- D245,592 S 8/1977 Davidson
- D255,558 S 6/1980 Ekuan
- D269,007 S 5/1983 Rastegar
- D319,203 S 8/1991 Tisten et al.
- D320,580 S 10/1991 Kim
- D326,831 S 6/1992 Lanius et al.
- D345,717 S 4/1994 Molzon et al.
- D345,718 S 4/1994 Molzon et al.
- D369,762 S 5/1996 Molzon et al.
- D373,099 S 8/1996 Molzon et al.
- D394,637 S 5/1998 Camiano
- D395,023 S 6/1998 Hikida
- D431,018 S 9/2000 Maypole
- D435,509 S 12/2000 Hickman
- D444,762 S 7/2001 Werle et al.
- D453,727 S 2/2002 Shugar et al.
- D462,300 S * 9/2002 Cerny, Jr. et al. D12/86

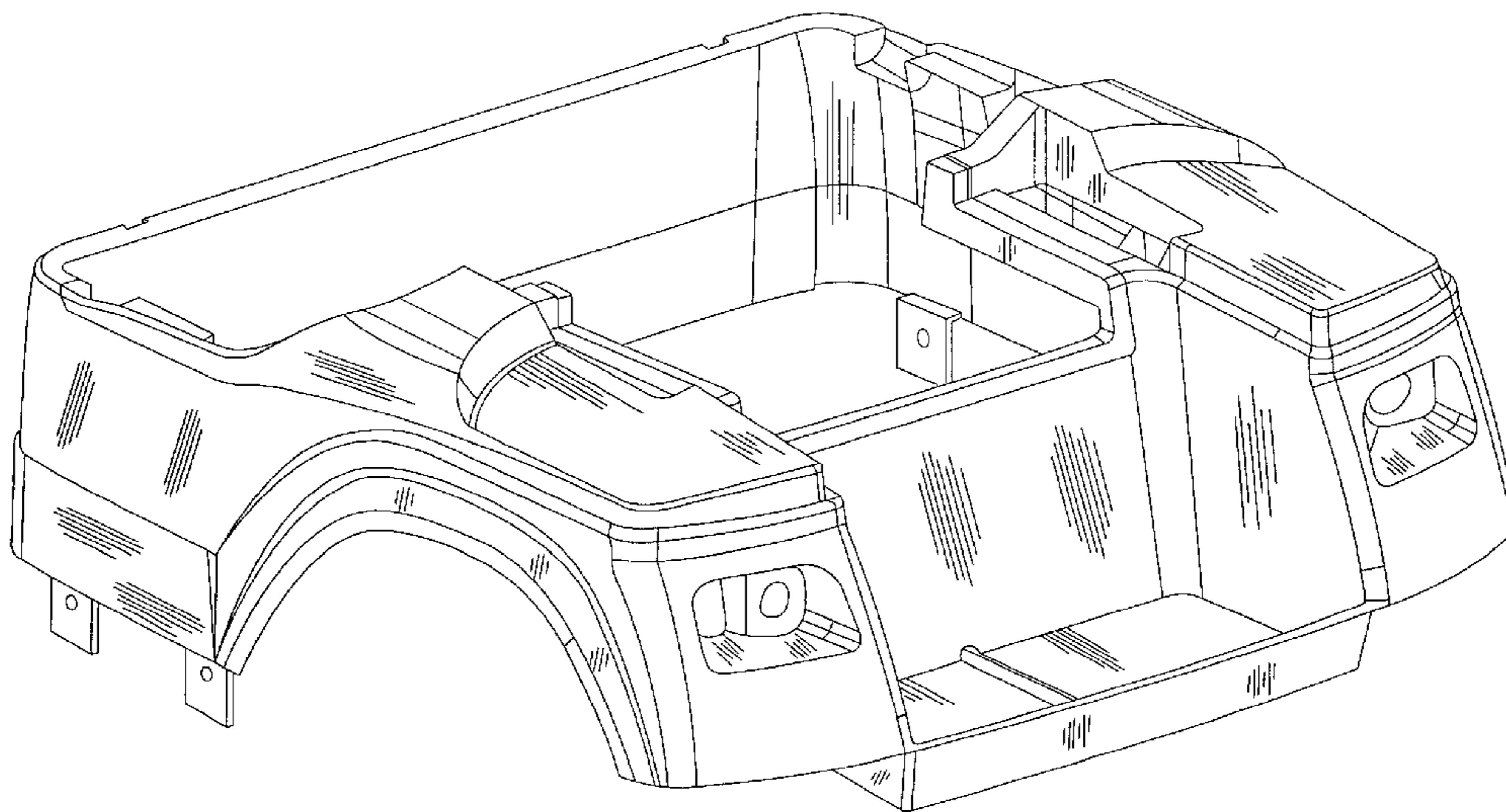
(57) **CLAIM**

The ornamental design for a rear bumper for a vehicle, as shown and described.

DESCRIPTION

FIG. 1 is a perspective view of a rear bumper for a vehicle;
FIG. 2 is a front view thereof;
FIG. 3 is a top view thereof;
FIG. 4 is a right side view thereof;
FIG. 5 is a left side view thereof; and,
FIG. 6 is a rear view thereof.

1 Claim, 6 Drawing Sheets



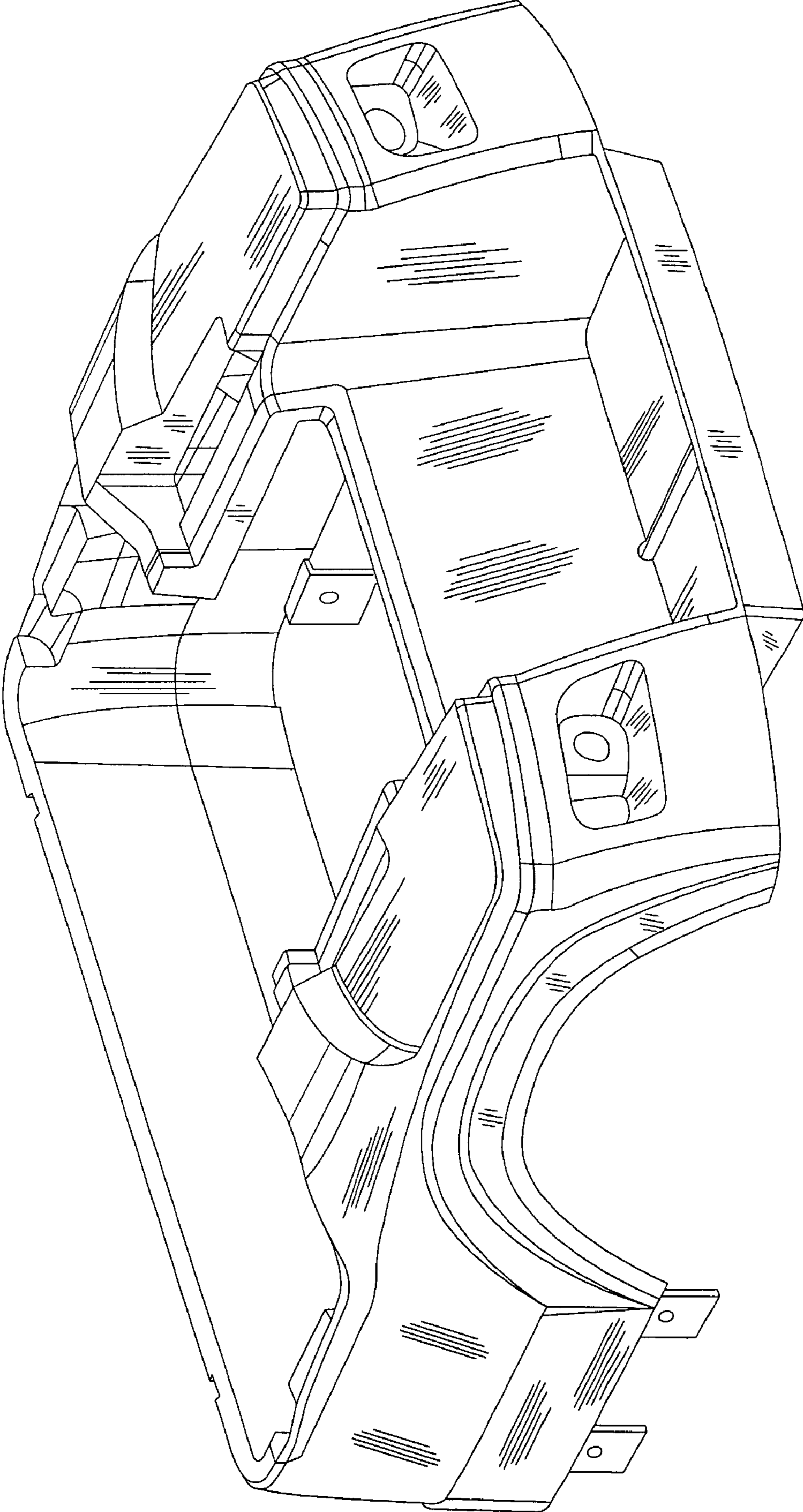


FIG. 1

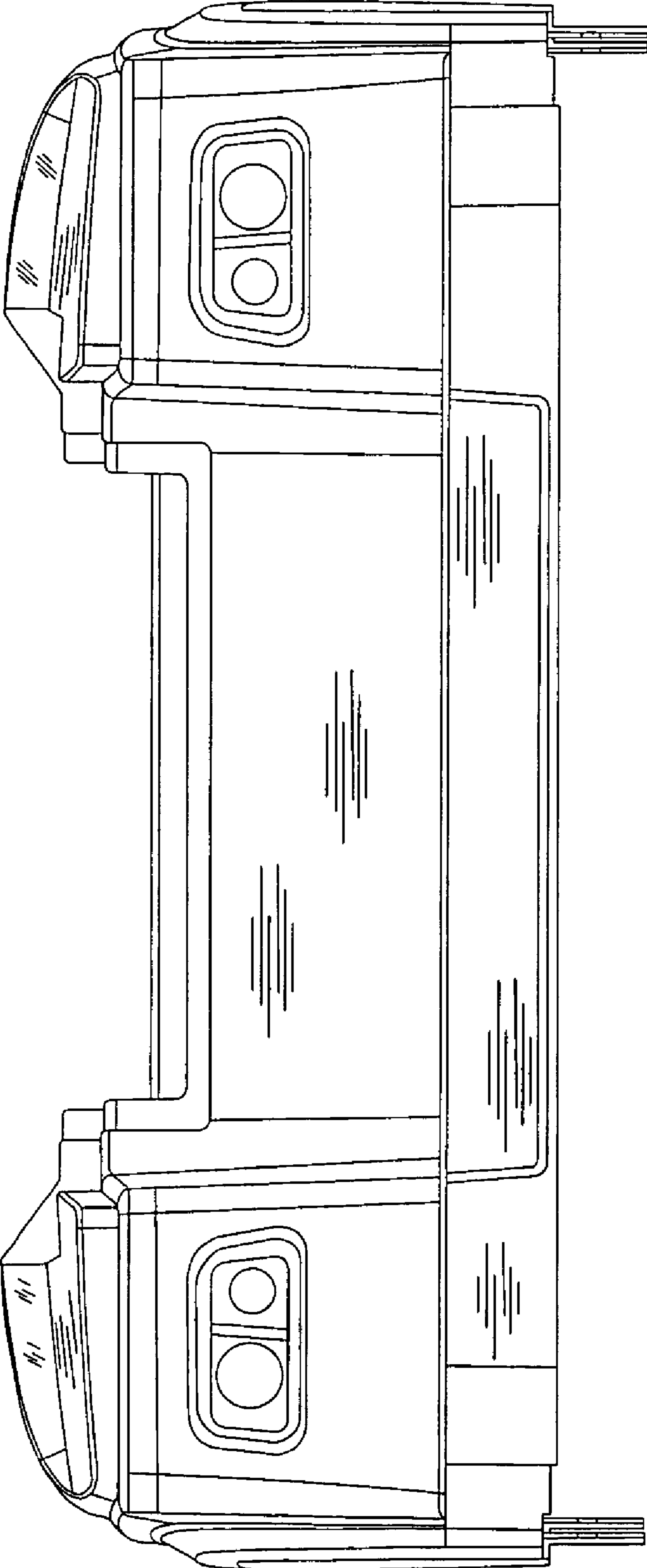


FIG. 2

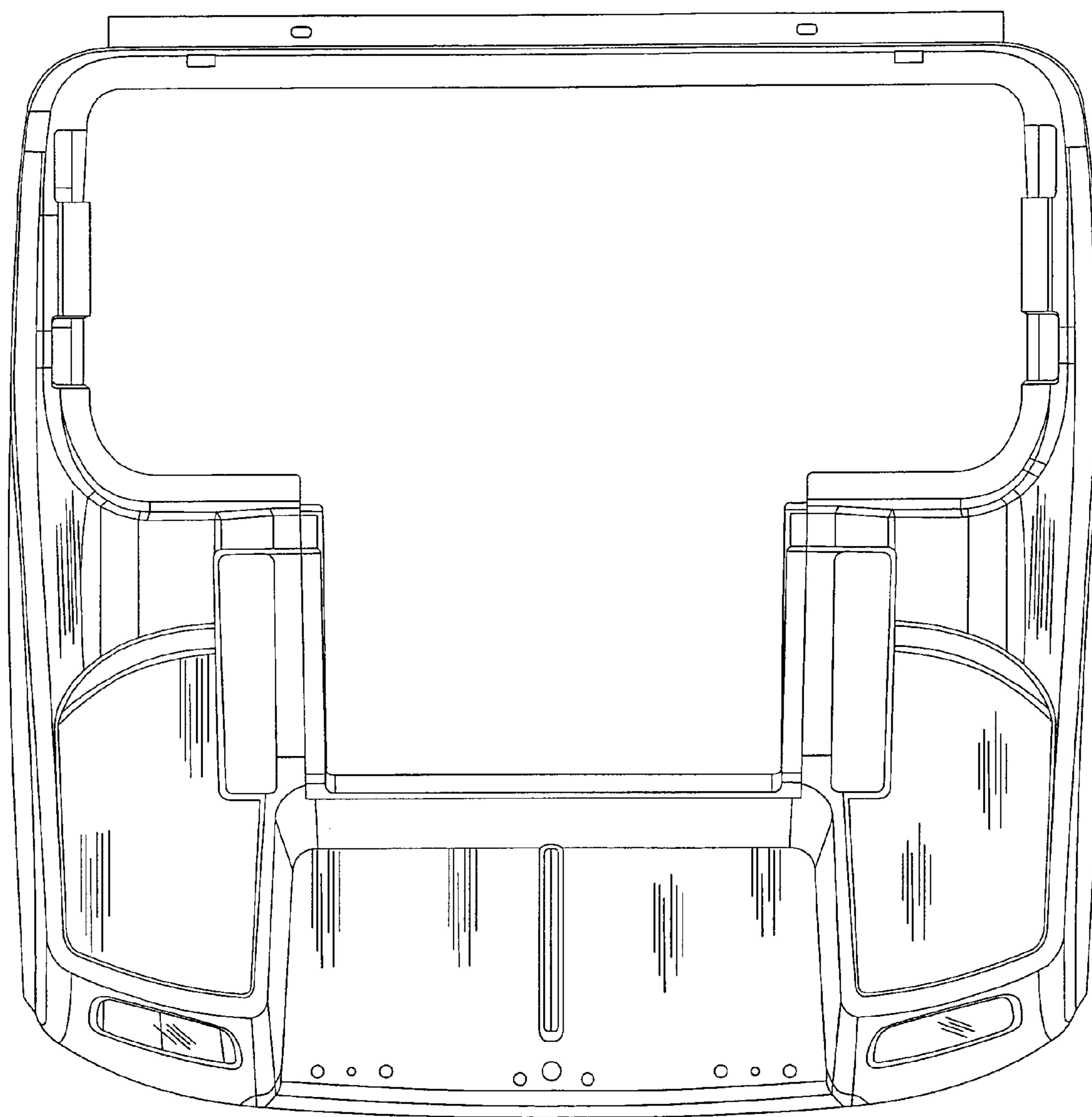


FIG. 3

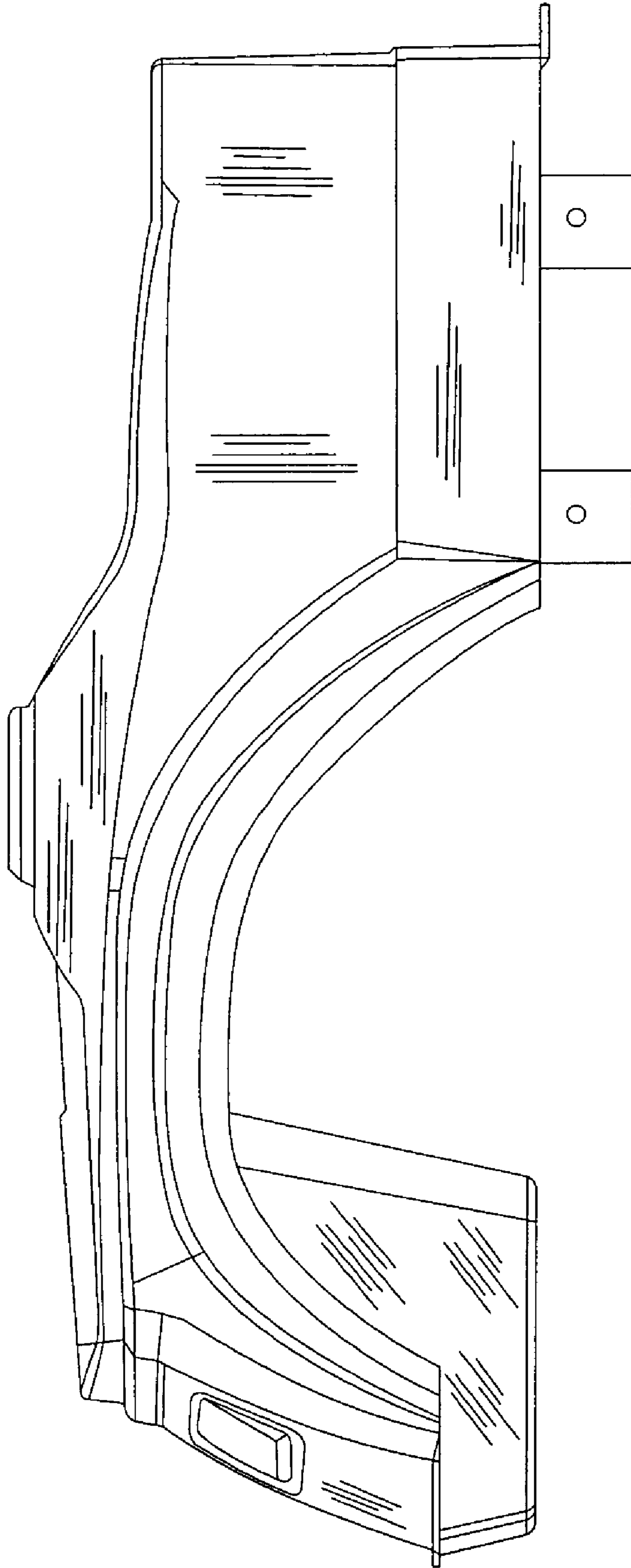


FIG. 4

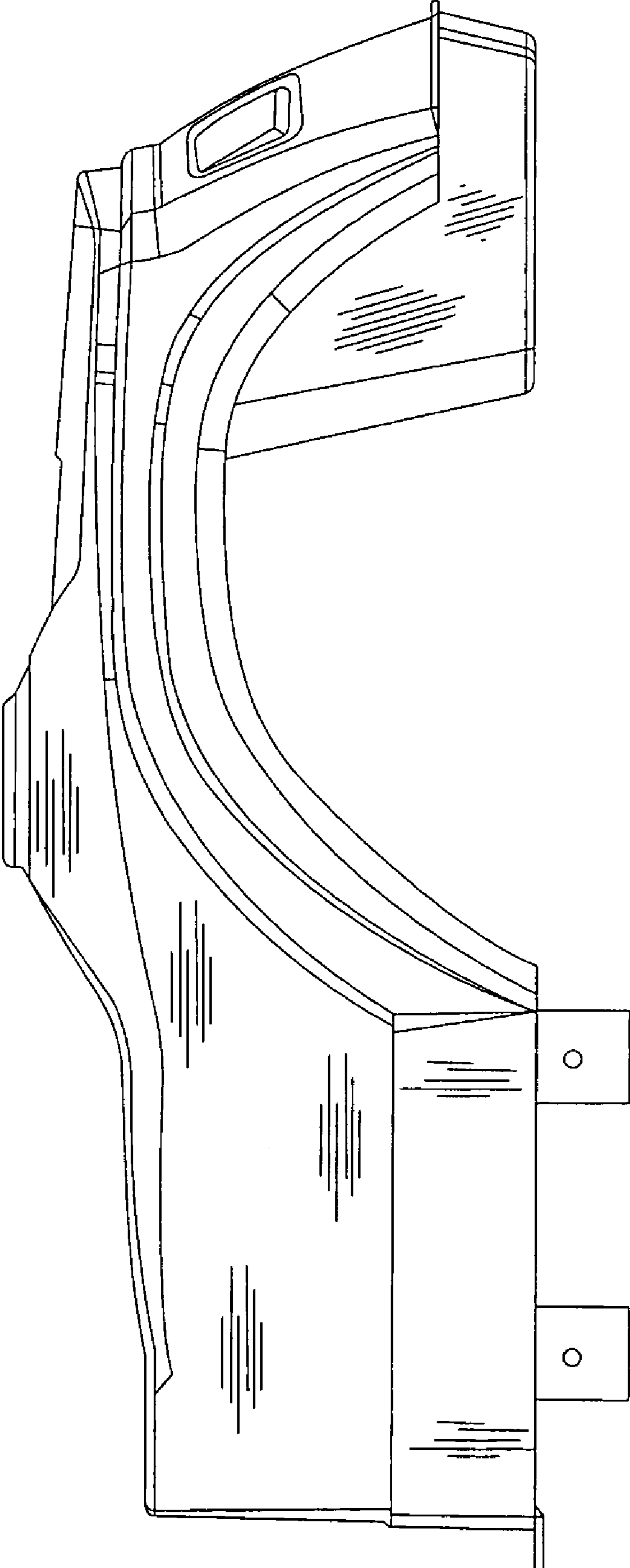


FIG. 5

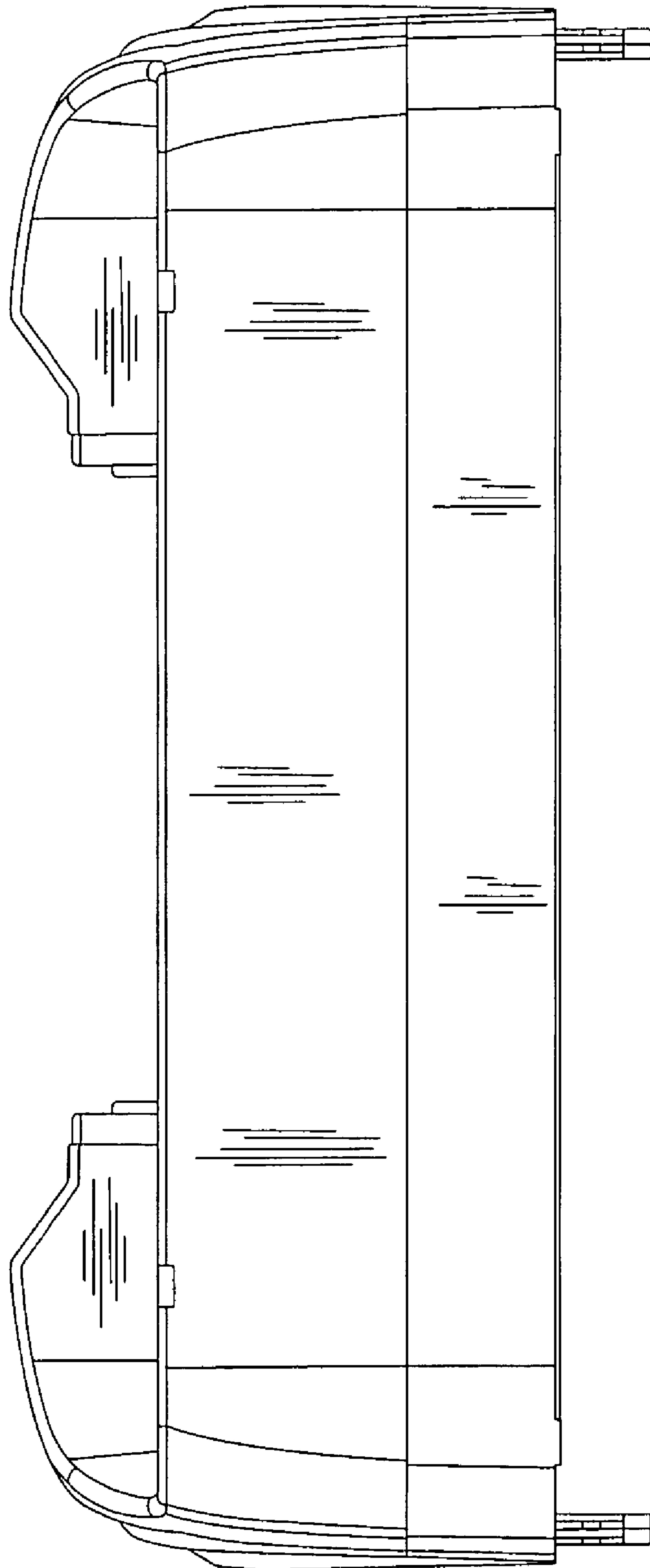


FIG. 6